

DESCRIPTION

The Halo CLD is a low profile, high performance surface mount luminaire that offers the added flexibility of 3 selectable color temperatures at time of installation. CLD7 (7") is designed for installation in many 3-1/2" and 4" square, octagon, or round junction boxes. Supply wire adapter with LED quick wiring connector included.

Catalog #		Type
Project		
Comments		Date
Prepared by		

SPECIFICATION FEATURES

CONSTRUCTION

- Stamped aluminum housing and frame.

OPTICS

- Precision engineered optic provides uniform luminance from a low profile convex lens
- Removable lens for easy install from below installation

LED

- Backlit LED technology
- Color Temperature options include: SeleCCTable configuration 3000K, 4000K or 5000K via switch
- 90 CRI is standard
- L70 at 50,000 hours projected in accordance with TM-21

DRIVER

- Integral 120V 60Hz constant current driver provides virtually noise free operation.
- Continuous, flicker-free dimming from 100% to 5% with select leading or trailing edge 120V phase cut dimmers. See dimming guide.
- Dimming to 5% is best assured using dimmers with low end trim adjustment. Consult dimmer manufacturer for compatibility and conditions of use. (Note some dimmers require a neutral in the wallbox.)

ELECTRICAL JUNCTION BOX MOUNTING

- CLD may be used in compatible electrical junction boxes in direct contact with insulation including spray foam insulation
- Install from below design
- Suitable for installation in many 3-1/2" and 4" octagon and round electrical junction boxes.
- Compatible with compact (pancake) junction boxes
- **Note:** Fire-rating is per the rating of the ceiling and applicable junction box, not the CLD.
- Installer must ensure compatibility of fit, wiring and proper mounting in the electrical junction box. This includes all applicable national and local electrical and building coded NEMA LSD 57-2013

COMPLIANCE

- UL certified for US and Canada
- Wet and Damp Location listed, airtight per ASTM-E283 (protected ceiling only)
- Suitable for use in clothes closets when installed in accordance with the NEC 410.16 spacing requirements.
- EMI/RFI emissions per FCC 47CFR Part 15B
- Contains no mercury or lead and RoHS compliant.

- Photometric testing in accordance with IES LM-79-08
- Lumen maintenance projections in accordance with IES LM-80-08 and TM-21-11.
- Can be used for State of California Title 24 high efficacy luminaire compliance, reference the California Energy Commission Title 20 Appliance Efficiency Database for current listings.
- Can be used for International Energy Conservation Code (IECC) and Washington State Energy Code high efficiency luminaire compliance
- ENERGY STAR® Certified luminaire - consult ENERGY STAR® Certified Product List

WARRANTY

- Five year limited warranty, consult website for details. www.eaton.com/lighting/legal



CLD

7-Inch LED Surface Light SeleCCTable switch

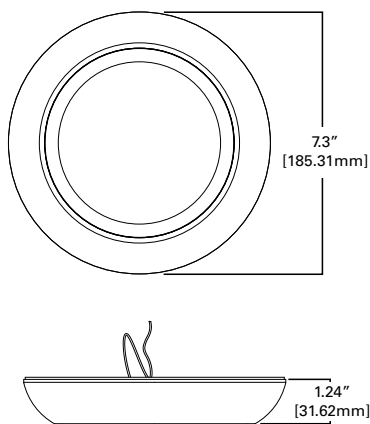
Suitable for ceiling or wall electrical junction boxes

HIGH-EFFICACY LED WITH INTEGRAL DRIVER - DIMMABLE

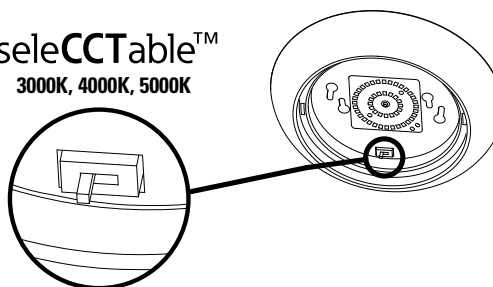


3000K • 4000K • 5000K

DIMENSIONS



seleCCTable™
3000K, 4000K, 5000K



ENERGY DATA	
Lumens	800 Series
Input Voltage	120V
Input Current	x (mA)
Input Power	11.2 (W)
Inrush (A)	x
THD	≤ 20%
PF	≥ 0.90
T Ambient	-30° - +40°C
Sound Rating	≤ 20dba



ORDERING INFORMATION

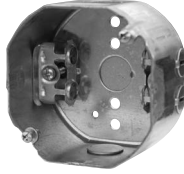
SAMPLE NUMBER: CLD7089SWHR

Models	Lumens	CRI / CCT	Finish	Accessories
CLD7 = 7" LED surface light	08=800 lumens (nominal)	9S=90 CRI minimum, white tuning, selectable CCT 3000K, 4000K, & 5000K	WH = matte white	R = recyclable unit carton suitable for merchandising display

COMPATIBLE WITH EATON'S CROUSE-HINDS JUNCTION BOXES



TP316
for non-metallic cable
4" x 4" x 2-1/8"
(102mm x 102mm x 54mm)



TP317
for metal clad cable
4" x 4" x 2-1/8"
(102mm x 102mm x 54mm)

- TP316 - for non-metallic cable
- TP317 - for metal clad cable
- UL Listed
- Refer to www.crouse-hinds.com

COMPATIBLE WITH MANY OTHER JUNCTION BOXES*



4" octagon light fixture/fan steel box
4" x 4" x 2-1/8"
(102mm x 102mm x 54mm)



4" octagon steel box
4" x 4" x 1-1/2"
(102mm x 102mm x 38mm)



4" round new work non-metallic light fixture/fan box
4" diameter x 2-3/16"
(102mm x 56mm)



3-1/2" round new work non-metallic ceiling box
3-1/2" diameter x 2-3/4"
(89mm x 70mm)



3-1/2" round old work non-metallic box
4-1/4" O.D. flange, 3-1/2" I.D. x 2-5/8"
(108mm O.D., 89mm I.D. x 67mm)



4" round surface mount box
4" diameter x 1-1/2"
(102mm x 38mm)



4" round new work non-metallic box with hanger bar assembly
4" diameter x 2-3/16" (102mm x 56mm)

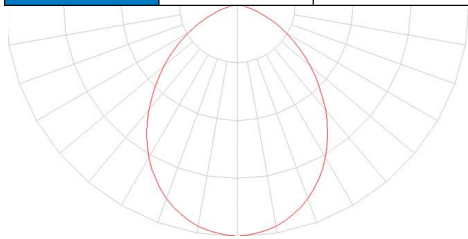


Round ceiling pan
4" diameter x 13/16"
(102mm x 21mm)
Note: only compatible with fixed CCT BLD606930

*This is a representative list of compatible junction boxes only. Information contained in this literature about other manufacturers' products is from published information made available by the manufacturer and is deemed to be reliable, but has not been verified. Eaton makes no specific recommendation on product selection and there are no warranties of performance or compatibility implied. Installer must determine that site conditions are suitable to allow proper installation of the mounting bracket in the box.

PHOTOMETRIC DATA

CLD7089SWHR - 3000K		
Luminaire lumens	805	
Input watts	11.2	
LER (LPW)	71.9	
Spacing Criteria	0-180	1.26
	90-270	1.26
	Diagonal	1.38
Beam angle (degrees)	113.2	
Field angle (degrees)	161.7	
Zonal lumen	Lumens	% Lumens
0-30	218	27.1
0-40	357	44.4
0-60	635	78.8
0-90	805	100



* Tested in accordance with IES LM63. Field results may vary.

Color Metric Summary

3000K		4000K		5000K	
TM-30-15	R _r = 89	TM-30-15	R _r = 88	TM-30-15	R _r = 86
	R _g = 97		R _g = 97		R _g = 96
CRI/CIE	R _a = 94	CRI/CIE	R _a = 94	CRI/CIE	R _a = 93
	R ₉ = 67		R ₉ = 94		R ₉ = 94



Catalog Number	CCT	Lumens	Power (W)	LPW
CLD7089SWR	3000K	805	11.2	71.9
	4000K	810	11.2	72.3
	5000K	810	11.2	72.3

Product Specifications

PRODUCT SPECIFICATIONS

Lumens	810
Watts	11.2
Lumens Per Watt (Efficacy)	72.3
Color Accuracy (CRI)	92
Light Color (CCT)	4000K
<small>Correlated Color Temperature (CCT)</small>	
<small>warm white</small>	<small>soft white</small>
<small>2700K</small>	<small>3000K</small>
<small>4500K</small>	<small>6500K</small>