



Parts Manual

Mfg. No: 030713-00
5000 Watt Brigg & Stratton

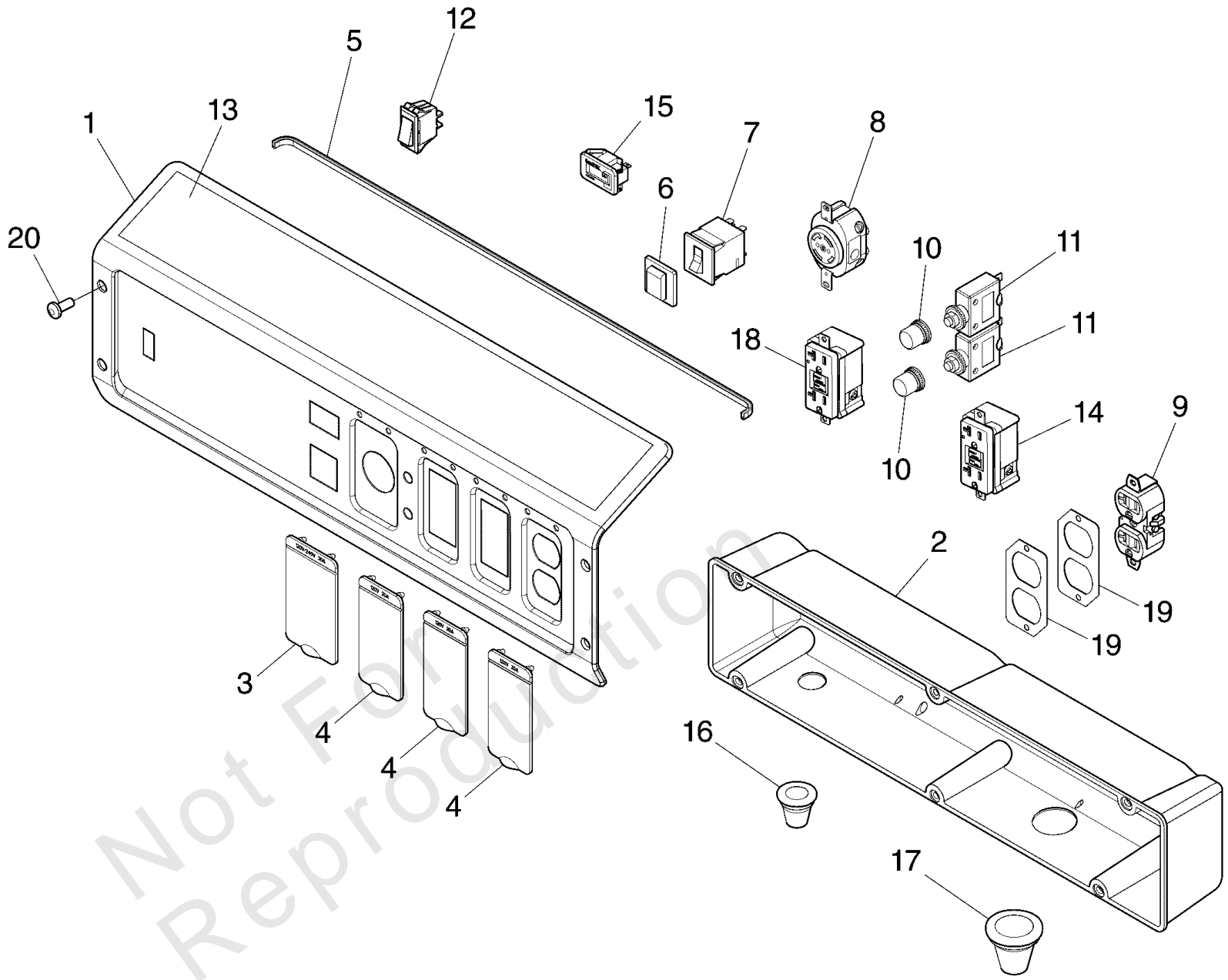
Model Components	Page
Control Panel (80024620).....	4
Main Unit (80024619).....	6
Wheel Kit (80006254).....	10
Wiring Diagram (80023875wd).....	12
Wiring Schematic (80023875ws).....	14
Torque Specification Chart.....	16

Not For
Reproduction

Control Panel (80024620)

Note: Unless noted otherwise, use the standard torque specifications

Mfg. No: 030713-00



Control Panel (80024620)

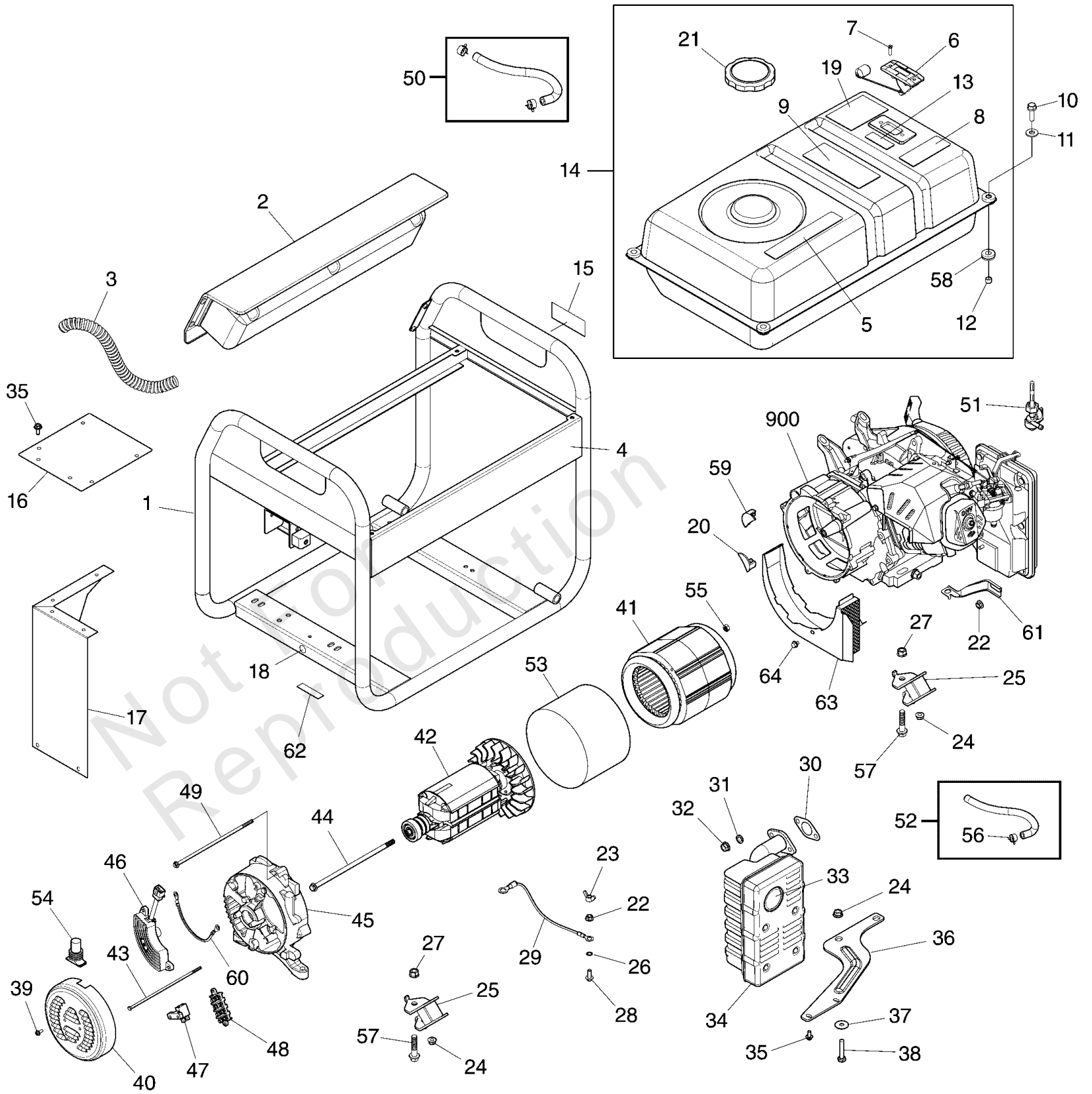
REF NO	PART NO	QTY	DESCRIPTION
1	707256		PANEL-CONTROL -(Includes Ref. No. 13)
2	319458GS		BOX-CONTROL PANEL
3	319477GS		COVER-OUTLET
4	319476GS		COVER-OUTLET
5	319459GS		TRIM-EDGE
6	191481GS		BOOT, Breaker Circuit
7	704197		BREAKER-CIRCUIT
8	43437GS		OUTLET-120/240V TL30A
9	704903		OUTLET-120V
10	312636GS		BOOT-CIRCUIT BREAKER
11	704907		BREAKER-CIRCUIT 20A
12	319525GS		SWITCH-ON/OFF
13	707288		DECAL
14	707290		OUTLET-120V GFCI 20A
15	198245GS		HOUR METER
16	319530GS		GROMMET
17	319529GS		GROMMET
18	709526		OUTLET
19	706326		INSULATION
20	703804		SCREW

Not For
Reproduction

Main Unit (80024619)

Note: Unless noted otherwise, use the standard torque specifications

Mfg. No: 030713-00



Main Unit (80024619)

REF NO	PART NO	QTY	DESCRIPTION
1	707302		CRADLE -(Includes Ref. Nos. 4, 15, & 18)
2	707354		PANEL-CONTROL
3	707433		SLEEVE
4	705635		DECAL
5	706159		DECAL
6	704183		GAUGE-FUEL
7	314440GS		SCREW
8	704192		DECAL
9	705909		DECAL
10	703805		SCREW
11	312005GS		WASHER
12	189137GS		SPACER
13	703264		DECAL
14	707301		TANK-FUEL
15	704142		DECAL
16	319456GS		HEATSHIELD
17	708881		HEATSHIELD
18	704331		DECAL
19	202997GS		DECAL
20	705772		COVER-RUBBER
21	319587GS		CAP-FUEL
22			* NUT, Flange Lock, M6
23	87680GS		NUT
24			* NUT, Flange Lock, M8
25	708887		MOUNT-VIBRATION
26			* WASHER, Ext Shakeproof, M6
27	709938		NUT
28	706355		SCREW
29	709932		WIRE
30	704853		GASKET
31			* WASHER, Lock, M8
32			* NUT, Hex, M8 1.25
33	83083GS		SCREEN
34	708878		MUFFLER
35	706152		SCREW
36	708879		BRACKET-MUFFLER
37			* WASHER, Flat, M8
38	709934		BOLT
39	709935		SCREW
40	704838		END COVER
41	707958		STATOR
42	707735		ROTOR
43	709944		BOLT
44	709946		BOLT
45	704836		CARRIER-BEARING
46	704913		VOLTAGE REGULATOR
47	704915		BRUSH ASSY

Footnotes:

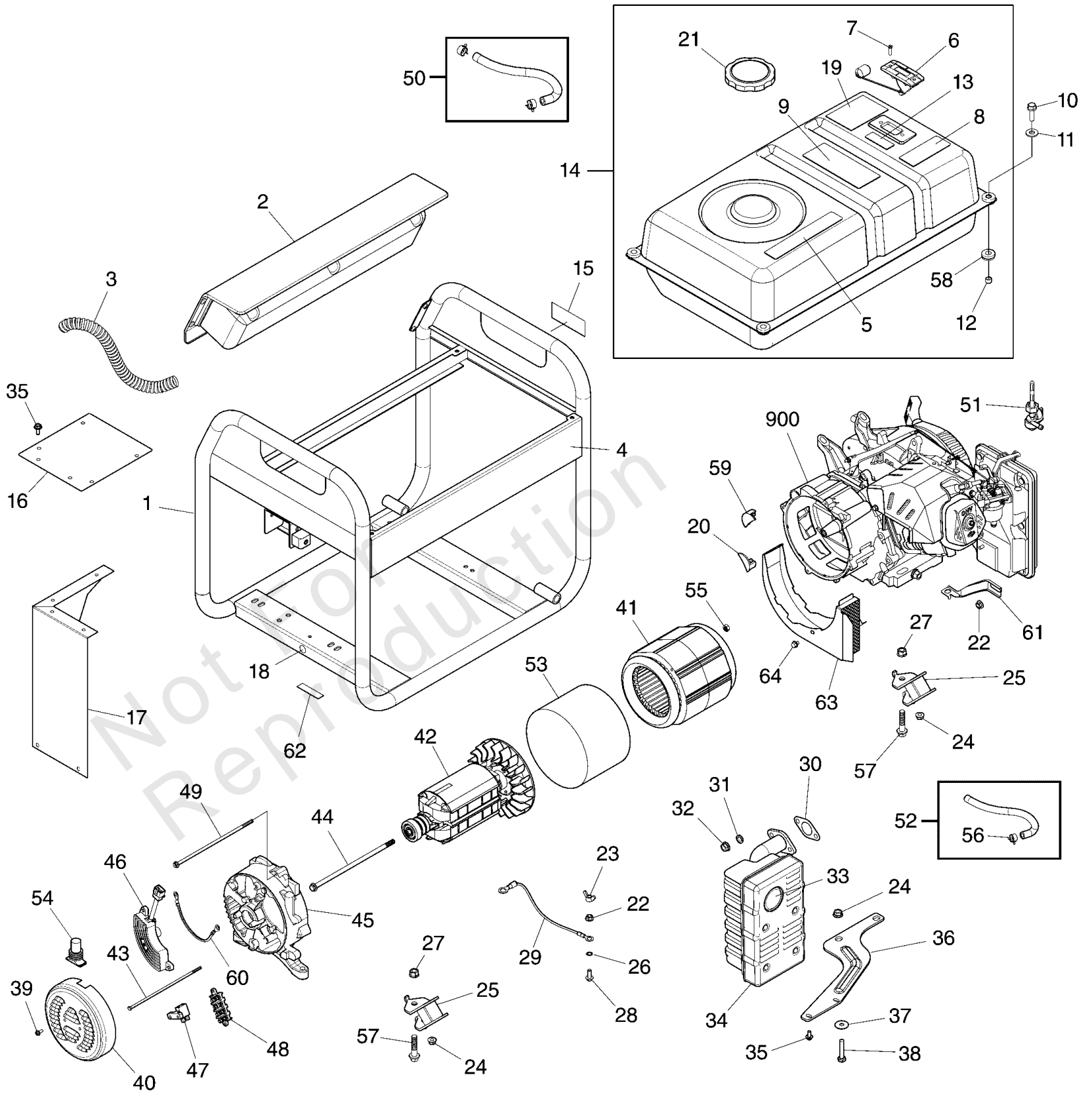
** Contact Engine Manufacturer

* Items without part numbers are common fasteners and are available at your local hardware store.

Main Unit (80024619)

Note: Unless noted otherwise, use the standard torque specifications

Mfg. No: 030713-00



Main Unit (80024619)

REF NO	PART NO	QTY	DESCRIPTION
48	705783		TERMINAL BLOCK
49	709945		BOLT
50	791745		KIT-FUEL HOSE -(Cut to Fit)
51	209417GS		VALVE-FUEL
52	315017GS		HOSE-VAPOR -(Cut to Fit)
53	317342GS		BAND-STATOR
54	207879GS		BOOT
55	709931		NUT
56	314955GS		CLAMP
57	709939		BOLT
58	189134GS		GROMMET
59	705771		COVER-RUBBER
60	709940		WIRE
61	708880		BRACKET-AIR CLEANER
62	706535		PAD-RUBBER
63	709941		COVER-ALT
64			SCREW-FLANGE M6 X 8
900	24G032-0007-G1		** ENGINE

Not For
Reproduction

Footnotes:

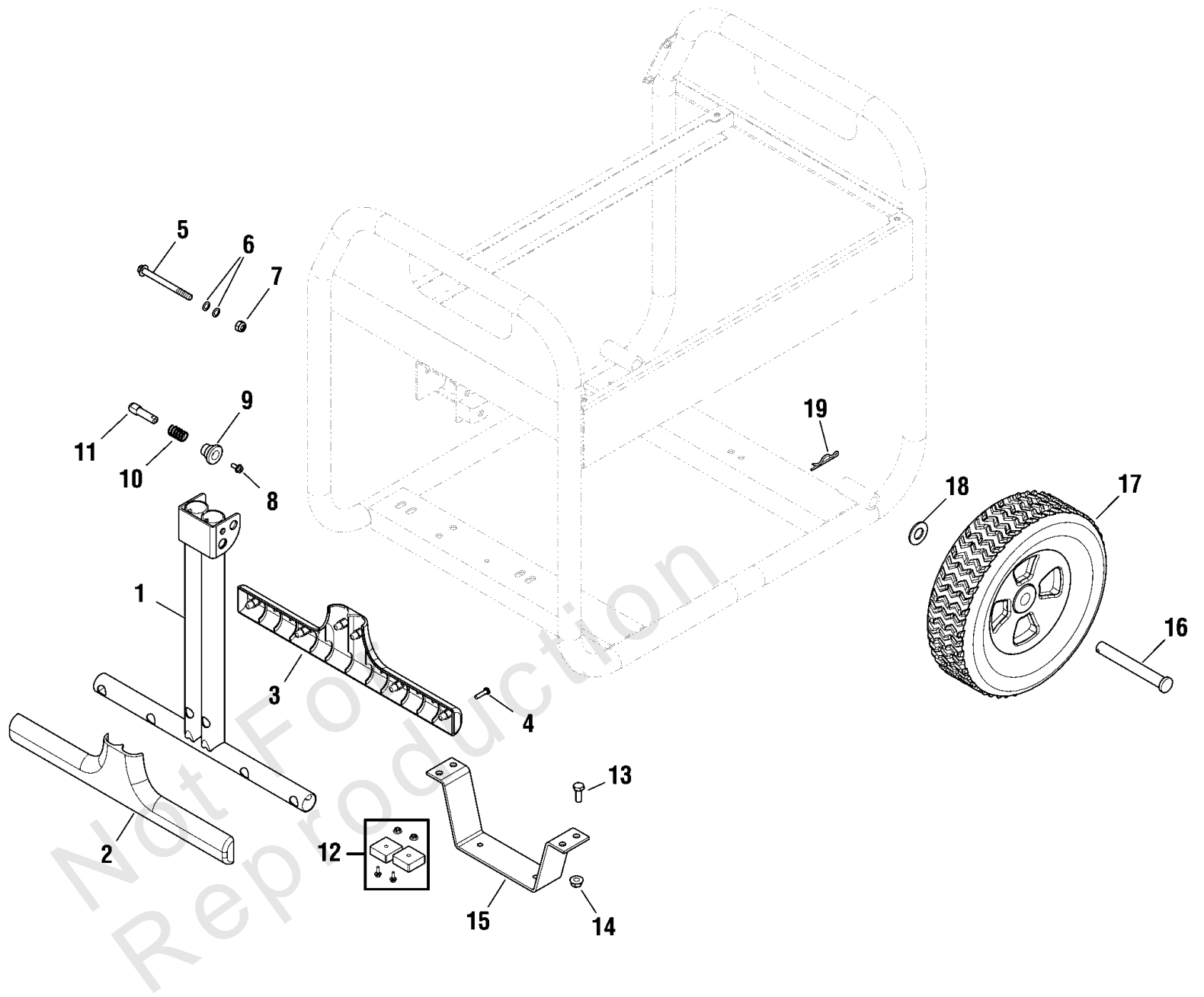
** Contact Engine Manufacturer

* Items without part numbers are common fasteners and are available at your local hardware store.

Wheel Kit (80006254)

Note: Unless noted otherwise, use the standard torque specifications

Mfg. No: 030713-00



Wheel Kit (80006254)

REF NO	PART NO	QTY	DESCRIPTION
1	319396GS		HANDLE
2	319360GS		GRIP-HANDLE
3	319361GS		GRIP-HANDLE
4	75477GS		SCREW
5	318677GS		BOLT
6	96716GS		WASHER
7	49820GS		NUT
8	207825GS		BOLT
9	319453GS		KNOB
10	319452GS		SPRING
11	319454GS		PIN
12	319285GS		MOUNT-VIBRATION
13			* BOLT, M8-1.25 x 16
14	67989GS		NUT
15	704198		SUPPORT-LEG
16	703813		AXLE
17	704145		WHEEL
18	22247GS		WASHER
19	316510GS		PIN-HAIR

Not For
Reproduction

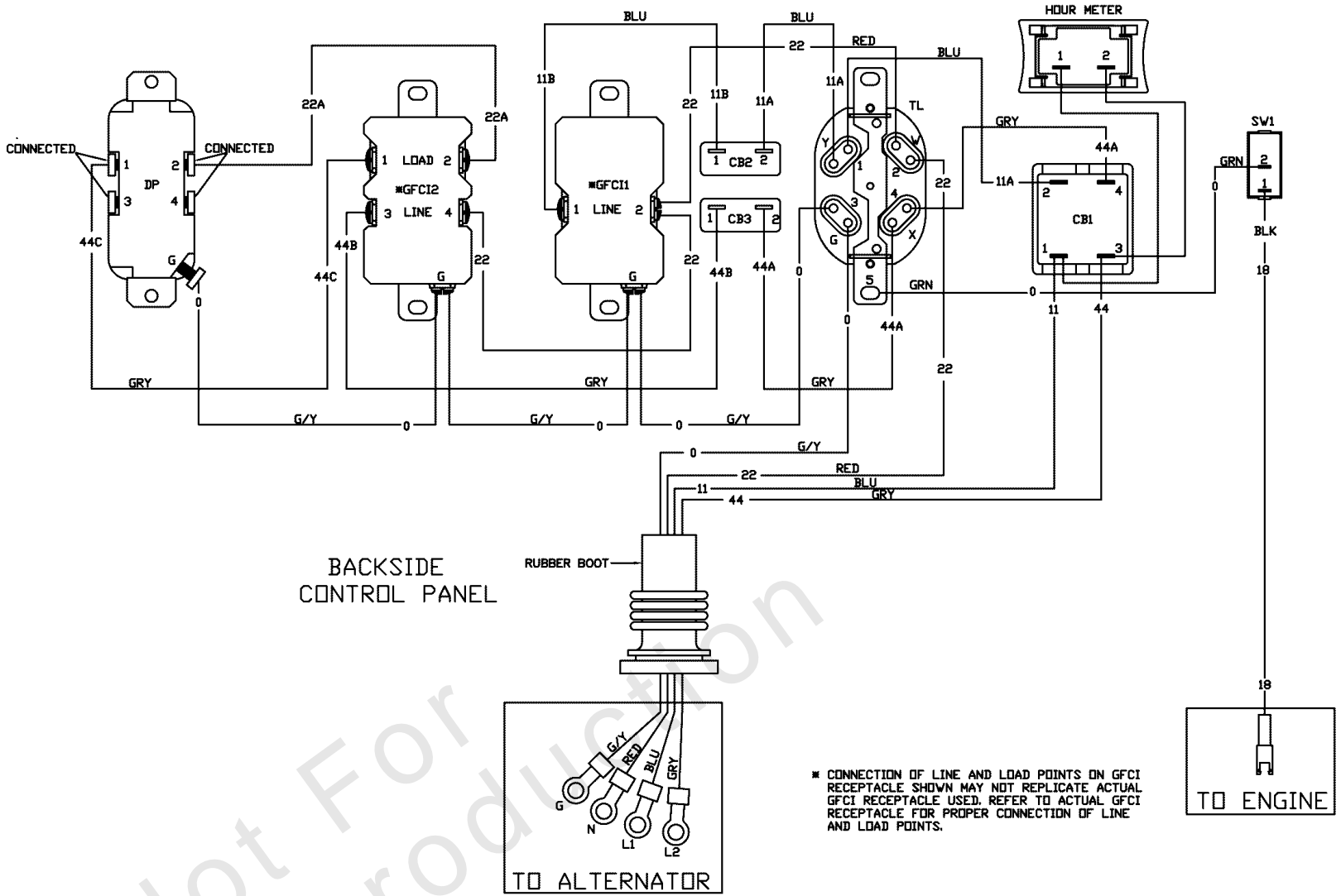
Footnotes:

* Items without part numbers are common fasteners. Purchase locally.

Wiring Diagram (80023875wd)

Note: Unless noted otherwise, use the standard torque specifications

Mfg. No: 030713-00



Not For Reproduction

Wiring Diagram (80023875wd)

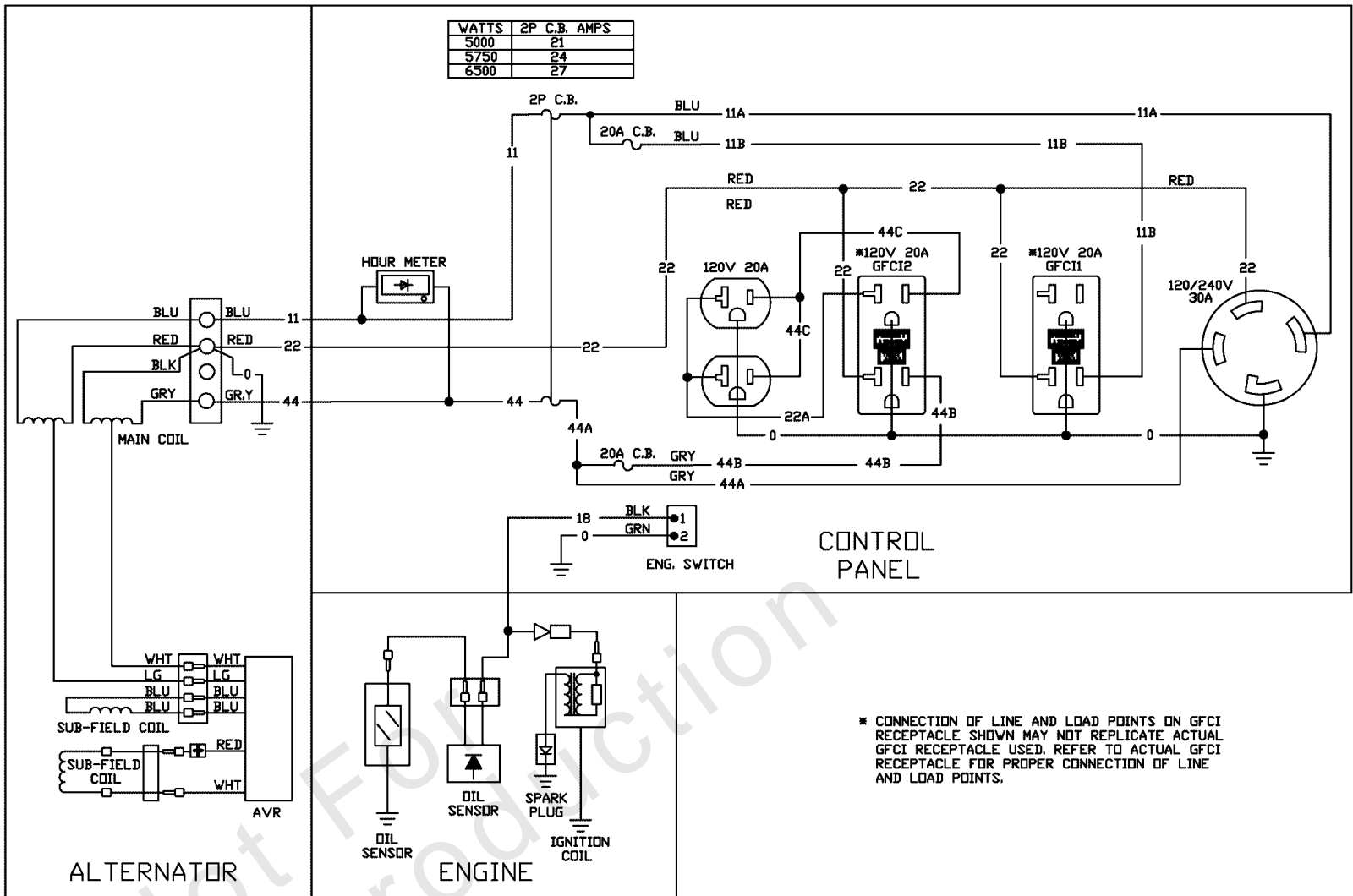
REF NO	PART NO	QTY	DESCRIPTION
--			Wiring Diagram Only
--	WARNING		Warning Generator Voltage Could Cause Electrical Shock or Burn Resulting in Death Or Serious Injury. To Avoid Electrical Shock Or Burn Hazard, Please Refer Service To Qualified Personnel.

Not For
Reproduction

Wiring Schematic (80023875ws)

Note: Unless noted otherwise, use the standard torque specifications

Mfg. No: 030713-00



Wiring Schematic (80023875ws)

REF NO	PART NO	QTY	DESCRIPTION
--			Wiring Schematic Only
--	WARNING		Warning Generator Voltage Could Cause Electrical Shock or Burn Resulting in Death Or Serious Injury. To Avoid Electrical Shock Or Burn Hazard, Please Refer Service To Qualified Personnel.

Not For
Reproduction

Hardware Identification & Torque Specifications

Torque Specification Chart								
FOR STANDARD METRIC MACHINE HARDWARE (Tolerance ± 20%)								
Property Class	5.6		8.8		10.9		12.9	
	Class 5.6		Class 8.8		Class 10.9		Class 12.9	
Size Of Hardware	in/lbs	Nm.	in/lbs	Nm.	in/lbs	Nm.	in/lbs	Nm.
	ft/lbs		ft/lbs		ft/lbs		ft/lbs	
M3	5.88	.56	13.44	1.28	19.2	1.80	22.92	2.15
M4	13.44	1.28	30.72	2.90	43.44	4.10	52.56	4.95
M5	26.4	2.50	60.96	5.75	5.97	8.10	7.15	9.7
M6	44.64	4.3	7.3	9.9	10.3	14	12.1	16.5
M7	5.2	7.1	12.1	16.5	16.9	23	19.9	27
M8	7.7	10.5	17.7	24	25	34	29	40
M10	15	21	35	48	50	67	59	81
M12	26	36	61	83	86.2	117	103	140
M14	42	58	101	132	136	185	162	220
M16	64	88	147	200	210	285	250	340
M18	89	121	202	275	287	390	346	470
M20	126	171	290	390	405	550	486	660
M22	169	230	390	530	559	745	656	890
M24	217	295	497	375	708	960	840	1140
M27	320	435	733	995	1032	1400	1239	1680
M30	435	590	995	1350	1401	1900	1681	2280
M33	590	800	1349	1830	1902	2580	2278	3090
M36	759	1030	1740	2360	2441	3310	2935	3980
M39	988	1340	2249	3050	3163	4290	3798	5150

Torque Specification Chart						
FOR STANDARD MACHINE HARDWARE (Tolerance ± 20%)						
Hardware Grade	No Marks		SAE Grade 5		SAE Grade 8	
	SAE Grade 2		SAE Grade 5		SAE Grade 8	
Size Of Hardware	in/lbs	Nm.	in/lbs	Nm.	in/lbs	Nm.
	ft/lbs		ft/lbs		ft/lbs	
8-32	19	2.1	30	3.4	41	4.6
8-36	20	2.3	31	3.5	43	4.9
10-24	27	3.1	43	4.9	60	6.8
10-32	31	3.5	49	5.5	68	7.7
1/4-20	66	7.6	8	10.9	12	16.3
1/4-28	76	8.6	10	13.6	14	19.0
5/16-18	11	15.0	17	23.1	25	34.0
5/16-24	12	16.3	19	25.8	29	34.0
3/8-16	20	27.2	30	40.8	45	61.2
3/8-24	23	31.3	35	47.6	50	68.0
7/16-14	30	40.8	50	68.0	70	95.2
7/16-20	35	47.6	55	74.8	80	108.8
1/2-13	50	68.0	75	102.0	110	149.6
1/2-20	55	74.8	90	122.4	120	163.2
9/16-12	65	88.4	110	149.6	150	204.0
9/16-18	75	102.0	120	163.2	170	231.2
5/8-11	90	122.4	150	204.0	220	299.2
5/8-18	100	136	180	244.8	240	326.4
3/4-10	160	217.6	260	353.6	386	525.0
3/4-16	180	244.8	300	408.0	420	571.2
7/8-9	140	190.4	400	544.0	600	816.0
7/8-14	155	210.8	440	598.4	660	897.6
1-8	220	299.2	580	788.8	900	1,244.0
1-12	240	326.4	640	870.4	1,000	1,360.0

The guides and ruler furnished below are designed to help you select the appropriate hardware.



Nut, M8

Thread Diameter (mm)

Inside Diameter (in) Threads per inch

Nut, 1/2-16



Screw, M8- 1.25 x 25

Thread Diameter (mm) Distance between threads (mm) Body Length (mm)

Body Diameter Threads per inch Body Length (in)

Screw, 1/2- 16 x 2



Standard Hardware Sizing

When a washer or nut is identified as 1/2" (M8), this is the *Nominal size*, meaning the *inside diameter* is 1/2 inch (8mm metric thread diameter); if a second number is present it represents the *threads per inch* (distance between threads).

When bolt or capscrew is identified as 1/2 - 16 x 2" (M8 - 1.25 x 50), this means the *Nominal size*, or body diameter is 1/2 inch (8mm metric thread diameter), the second number, 16, represents the *threads per inch*, (*distance between threads*). The final number is the body length of the bolt or screw, 2 inches (50mm).

NOTES

- These torque values are to be used for all hardware excluding: locknuts, self-tapping screws, thread forming screws, sheet metal screws and socket head setscrews.
- Recommended seating torque values for locknuts:
 - for prevailing torque locknuts - use 65% of grade 5 torques.
 - for flange whizlock nuts and screws - use 135% of grade 5 torques.
- Unless otherwise noted on assembly drawings, all torque values must meet this specification.

Common Hardware Types

Hex Head Capscrew



Washer



Carriage Bolt



Hex Nut

Wrench & Fastener Size Guide

1/4" Bolt or Nut Wrench—7/16"	5/16" Bolt or Nut Wrench—1/2"	3/8" Bolt or Nut Wrench—9/16"	7/16" Bolt or Nut Wrench (Bolt)—5/8" Wrench (Nut)—11/16"	1/2" Bolt or Nut Wrench—3/4"
M6 Bolt or Nut Wrench—10mm	M8 Bolt or Nut Wrench—13mm	M10 Bolt or Nut Wrench—17mm	M12 Bolt or Nut Wrench—19mm	M14 Bolt or Nut Wrench—22mm

