



## Installation Instructions

### FortressAccents 3", 3.5", 4", 5" and 6" Post Base Covers

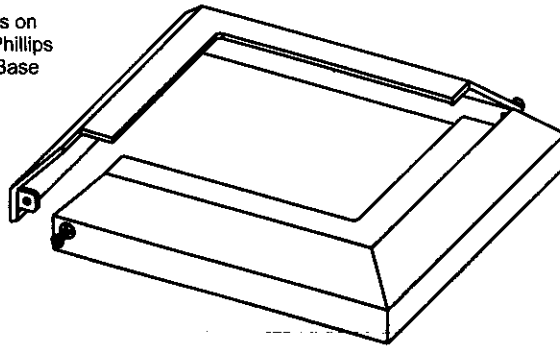
It is the responsibility of the installer to meet all code and safety requirements. The installer should determine and implement the appropriate installation techniques for each situation. The Fortress Company or its distributors shall not be held liable for improper or unsafe installations.

Required Materials: Phillips Head Screw Driver, Eye Protection

#### FortressAccents 3", 3.5", and 4" Post Base Covers

FortressAccents 3", 3.5" and 4" Post Base Covers are preassembled. Slide FortressAccents Post Base Cover over post to install.

If installing FortressAccents Post Base Covers on existing railing installations, remove the two Phillips head screws, position FortressAccents Post Base Cover on post and reinstall the screws.



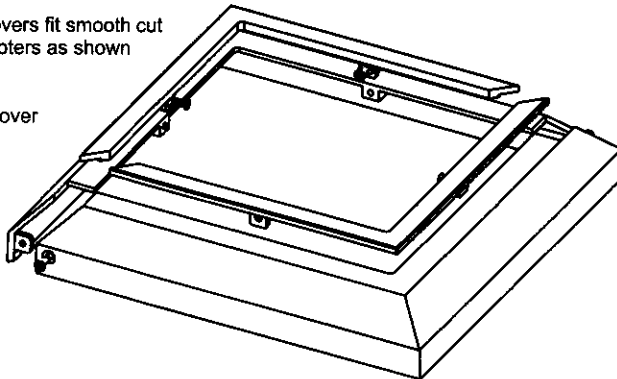
#### FortressAccents 5" and 6" Post Base Covers

FortressAccents 5" and 6" Post Base Covers fit rough cut posts without adapters.

FortressAccents 5" and 6" Post Base Covers fit smooth cut posts with adapters installed. Install adapters as shown in the illustration.

Slide FortressAccents Post Base Cover over post to install.

If installing FortressAccents Post Base Covers on existing railing installations, remove the two Phillips head screws, position FortressAccents Post Base Cover on post and reinstall the screws.



Please visit [www.fortressaccents.com](http://www.fortressaccents.com) for information on how to order additional accessories.

For technical assistance, please email: [technicalhelp@fortressrailing.com](mailto:technicalhelp@fortressrailing.com)  
Hours of Operation Monday through Friday 8:00 AM to 5:00 PM CST  
Phone: 1-866-323-4766 Fax: 972-644-3720  
[www.fortressaccents.com](http://www.fortressaccents.com)