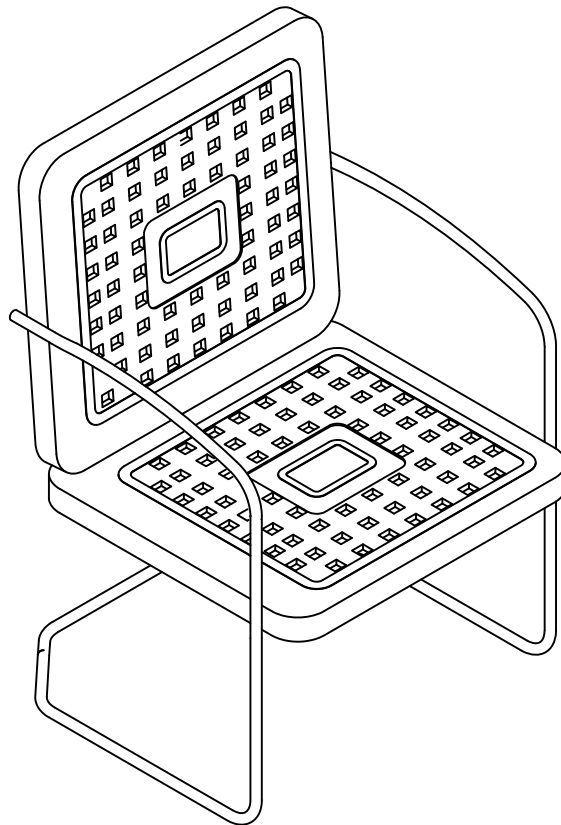
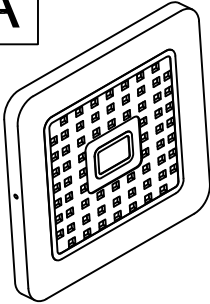
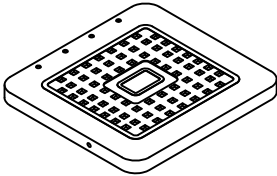
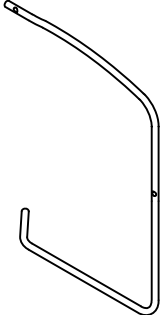
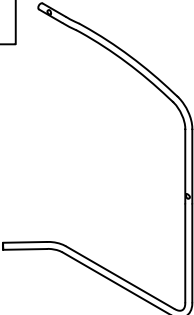
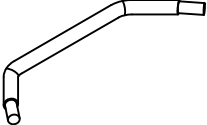




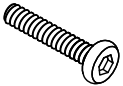
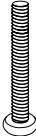



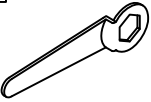

Metal Chair
CO1025



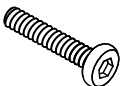
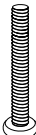


PART LIST

A 	B 	C 	D 	E 
Chair Back 1 PC	Chair Seat 1 PC	Left Support Leg 1 PC	Right Support Leg 1 PC	Leg Connector 1 PC

HARDWARE LIST

1 	2 	3 	4 	5 
M6X13mm Bolt 4 PCS	M6X42mm Long Bolt 4 PCS	Nut 8 PCS	Flat Washer 16 PCS	Plastic Washer 4 PCS
6 	7 			
Wrench 1 PC	Allen Wrench 1 PC			

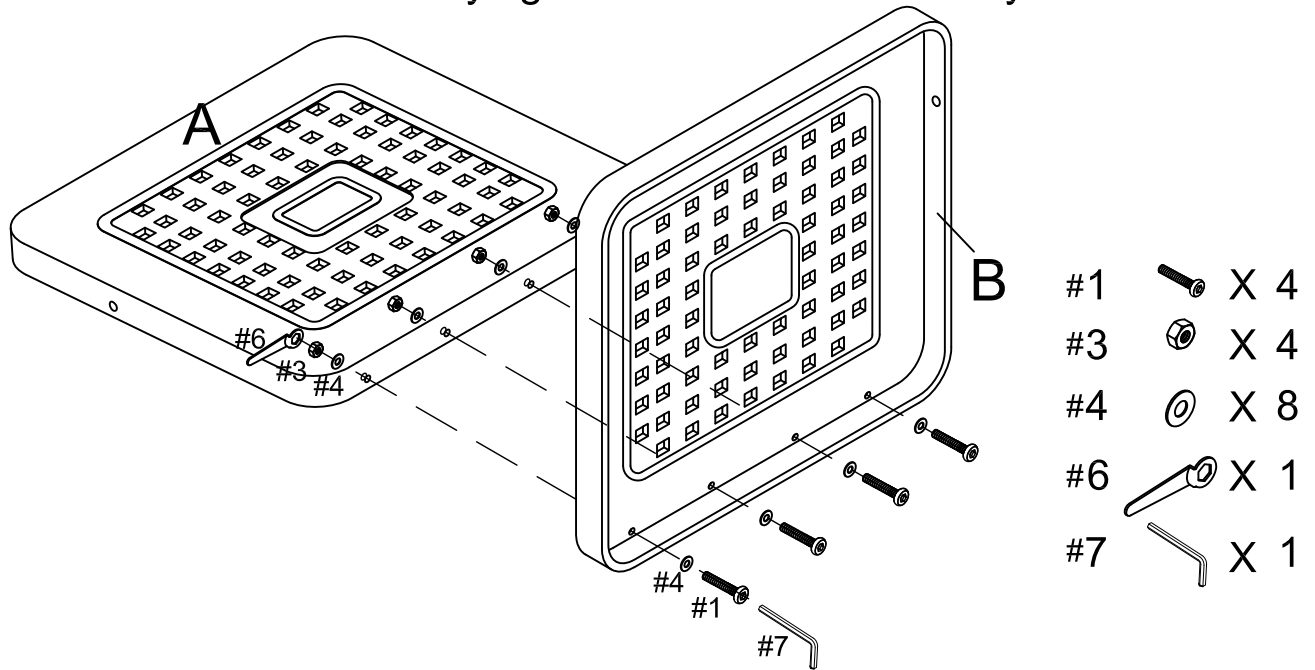
EXTRA HARDWARE LIST

1 	2 	3 	4 
M6X13mm Bolt 1 PC	M6X42mm Long Bolt 1 PC	Nut 2 PCS	Flat Washer 4 PCS

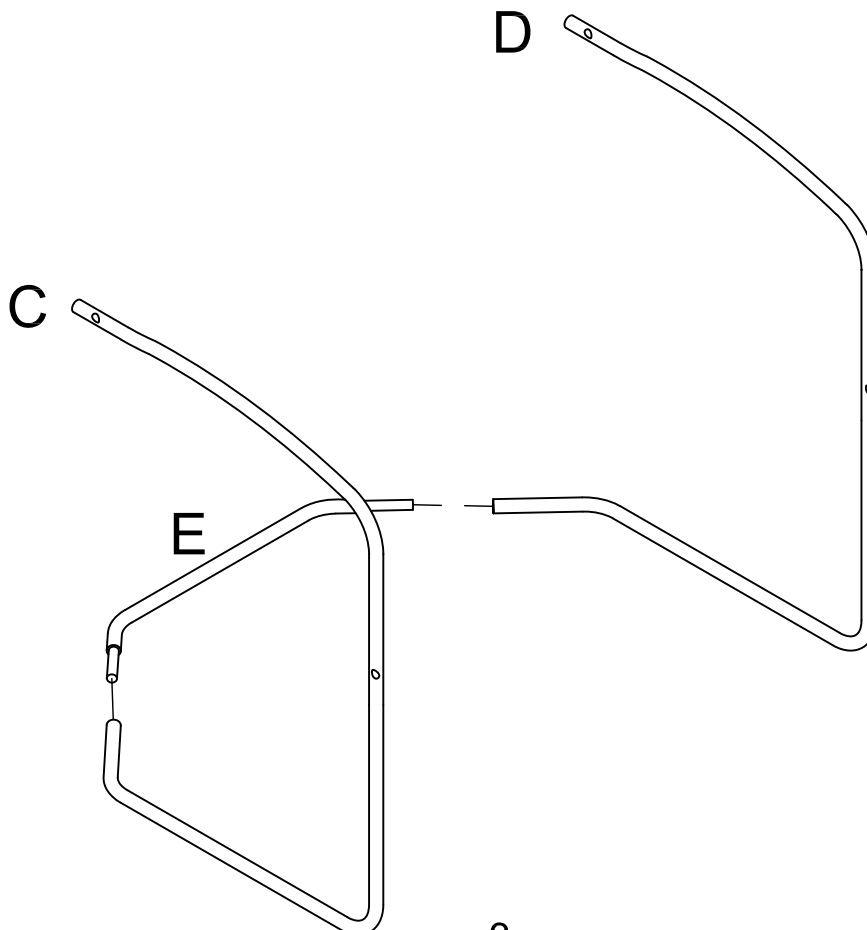
IMPORTANT NOTE: WE RECOMMEND TWO PEOPLE WORK TOGETHER TO ASSEMBLE THE CHAIR

Step 1. Lay chair back (part A) down on a soft flat surface, such as carpet, as shown below. Attach chair seat (part B) to chair back (part A) using bolts (part #1), flat washers (part #4), nuts (part #3), wrench (part #6) and allen wrench (part #7).

NOTE: Please do not fully tighten bolts until unit is fully assembled.



Step 2. Attach left support leg (part C) and right support leg (part D) to leg connector (part E).



Step 3. Attach support legs (parts C & D) to chair back (part A) and chair seat (part B) using long bolts (part #2), flat washers (part #4), plastic washers (part #5), nuts (part #3), wrench (part #6) and allen wrench (part #7) .

NOTE: Please fully tighten all bolts at this time.

