

Bracket Set

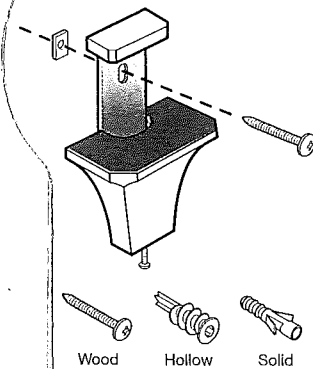
- Titanium finish
- Mounting hardware included
- 2.9in h x 3.7in w x 1.7in d

Juego de Soporte

- Acabado en titanio
- Incluye los herrajes de montaje
- 7,36cm al x 9,39cm an x 4,31cm prof

Easy to Install

1. Determine location of shelf on your wall. Level and mark bracket hole locations.
2. To insure proper installation, it is important to choose the correct fastener for your wall type (wood, masonry, drywall).
3. After installing proper wall anchors, slide the upper supports of the bracket up so support bracket is visible. Insert the anchor screw through support bracket and into wall. Tighten securely. Do not over tighten.
4. Slide shelf between the upper and lower support bracket.
5. Bracket/shelf tensioner is located on the bottom of each bracket. Make sure shelf is aligned with the rear of the bracket. Tighten using a Phillips screwdriver.

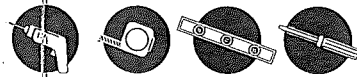


MADE IN VIETNAM / HECHO EN VIETNAM
DISTRIBUTED BY: / DISTRIBUIDO POR:
HOME DEPOT U.S.A., INC.
2455 PACES FERRY RD., N.W.
ATLANTA, GA 30339
FOR ASSISTANCE, CALL:
SI NECESITA AYUDA, LLAME A:
1-800-986-3430
WWW.HOMEDEPOT.COM/HOMEDECORATORS
MODEL / MODELO: HCCDIATI

Visit homedepot.com/homedecorators
for additional styles and colors

LTL Home Products, Inc.

Tools Required



Holds up to 66lbs