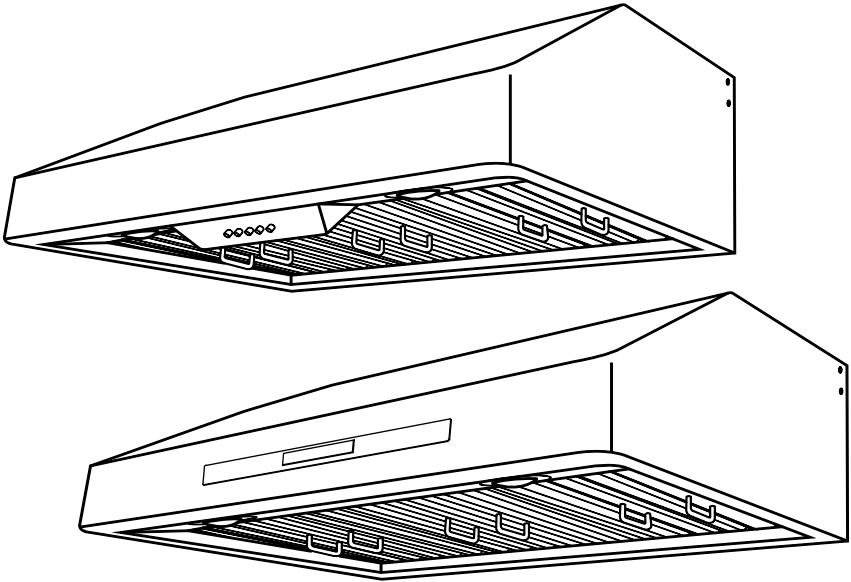




UNDER CABINET RANGE HOOD



QB & QS Series Under Cabinet Range Hood

INSTALLATION INSTRUCTIONS & USER MANUAL

IMPORTANT: READ AND SAVE THESE INSTRUCTIONS.
FOR RESIDENTIAL USE ONLY.

INSTALLER: PLEASE LEAVE THESE INSTRUCTIONS WITH THIS UNIT FOR
THE OWNER.

OWNER: PLEASE RETAIN THESE INSTRUCTIONS FOR FUTURE
REFERENCE.

THANK YOU FOR YOUR PURCHASE

Thank you for your purchase. We know that you have many brands and products to choose from and we are honored to know that you have decided to take one of our products into your home and hope that you enjoy it.

COSMO Appliances are designed according to the strictest safety and performance standard for the North American market. We follow the most advanced manufacturing philosophy. Each appliance leaves the factory after thorough quality inspection and testing. Our distributors and our service partners are ready to answer any questions you may have regarding how to install, use and care for your products. We hope that this manual will help you learn to use the product in the safest and most effective manner.

Before using this product, please read through this manual carefully. Keep this user manual in a safe place for future reference. Please ensure that other persons using this product are familiar with these instructions as well.

If you have any questions or concerns, please contact the dealer from whom you purchased the product, or contact our Customer Support at:

1-888-784-3108

Reach us online at:

www.cosmoappliances.com

TABLE OF CONTENTS

IMPORTANT SAFETY INSTRUCTIONS	4
STAINLESS STEEL PERMANENT FILTERS	5
DIMENSIONS	6
30" Models (COS-QB75 / COS-QS75)	6
36" Models (COS-QB90 / COS-QS90)	7
48" Models (COS-QB48 / COS-QS48)	8
INSTALLATION REQUIREMENTS	9
TOOLS AND PARTS	10
PRE-INSTALLATION REQUIREMENTS	11
INSTALLATION INSTRUCTIONS	12
CHARCOAL FILTERS INSTALLATION	17
CONTROLS	18
Push-Button Models (COS-QB75/90/48)	18
Soft-Touch Models (COS-QS75/90/48)	19
MAINTENANCE	20
TROUBLESHOOTING	21
LIMITED WARRANTY	22

IMPORTANT SAFETY INSTRUCTIONS

Read all instructions before using this appliance.

Save these instructions for future references.

Approved for residential use only.

Due to the weight and size of these vent hoods and to reduce the risk of personal injury or damage to the product,
TWO PEOPLE ARE REQUIRED FOR PROPER INSTALLATION.

CAUTION

FOR GENERAL VENTILATING USE ONLY. DO NOT USE TO EXHAUST HAZARDOUS OR EXPLOSIVE MATERIALS OR VAPORS.

CAUTION

To reduce risk of fire and to properly exhaust air, do not vent exhaust air into spaces within walls, ceilings, attics, crawl spaces, or garages.

WARNING

TO REDUCE THE RISK OF FIRE, USE ONLY METAL DUCT WORK. Install this hood in accordance with all requirements specified

WARNING

TO REDUCE THE RISK OF FIRE, ELECTRIC SHOCK, OR INJURY TO PERSONS, OBSERVE THE FOLLOWING:

1. Use this unit only in the manner intended by the manufacturer. If you have questions, contact the manufacturer.
2. Before servicing or cleaning the unit, switch power off at service panel and lock service panel disconnecting means to prevent power from being switched on accidentally. When the service disconnecting means cannot be locked, securely fasten a prominent warning device, such as a tag, to the service panel.
3. Installation Work and Electrical Wiring Must Be Done By Qualified Person(s) In Accordance With all Applicable Codes & Standards, Including Fire-rated Construction.
4. Sufficient air is needed for proper combustion and exhausting of gases through the flue (Chimney) of fuel burning equipment to prevent back-drafting. Follow the heating equipment manufacturers guideline and safety standards such as those published by the National Fire Protection Association (NFPA), the American Society for Heating, Refrigeration and Air Conditioning Engineers (ASHRAE), and the local code authorities.
5. When cutting or drilling into wall or ceiling, do not damage electrical wiring and other hidden utilities.
6. Ducted systems must always be vented to the outdoors.

WARNING

To Reduce The Risk Of Fire Or Electric Shock, Do Not Use This Hood With Any External Solid State Speed Control Device.

WARNING

Unplug or disconnect the appliance from the power supply before servicing.

WARNING

This appliance is intended for normal indoor residential use. It is not approved for commercial use, outdoor installation, installation over an outdoor BBQ grill, or any other application not specifically allowed by this manual. Damage from improper installation or use of this appliance is not covered by the product warranty.

WARNING

GROUNDING INSTRUCTIONS

This appliance must be grounded. In the event of an electrical short circuit, grounding reduces the risk of electric shock by providing an escape wire for the electric current. This appliance is equipped with a cord having a grounding wire with a grounding plug. The plug must be plugged into an outlet that is properly installed and grounded.

WARNING - IMPROPER GROUNDING CAN RESULT IN A RISK OF ELECTRIC SHOCK.

Consult a qualified electrician if the grounding instructions are not completely understood, or if doubt exists as to whether the appliance is properly grounded.

Do not use an extension cord. If the power supply cord is too short, have a qualified electrician install an outlet near the appliance.

WARNING

TO REDUCE THE RISK OF INJURY TO PERSONS, IN THE EVENT OF A RANGE TOP GREASE FIRE, OBSERVE THE FOLLOWING:

- **SMOTHER FLAMES** with a close-fitting lid, cookie sheet, or metal tray, then turn off the burner. **BE CAREFUL TO PREVENT BURNS.** If the flames do not go out immediately, **EVACUATE AND CALL THE FIRE DEPARTMENT.**
- **NEVER PICK UP A FLAMING PAN** – You may be burned.
- **DO NOT USE WATER**, including wet dishcloths or towels – a violent steam explosion will result.
- Use an extinguisher **ONLY** if:
 1. You know you have a Class ABC extinguisher, and you already know how to operate it.
 2. The fire is small and contained in the area where it started.
 3. The fire department is being called.
 4. You can fight the fire with your back to an exit

Always leave safety grills and filters in place. Without these components, operating blowers could catch onto hair, fingers and loose clothing.

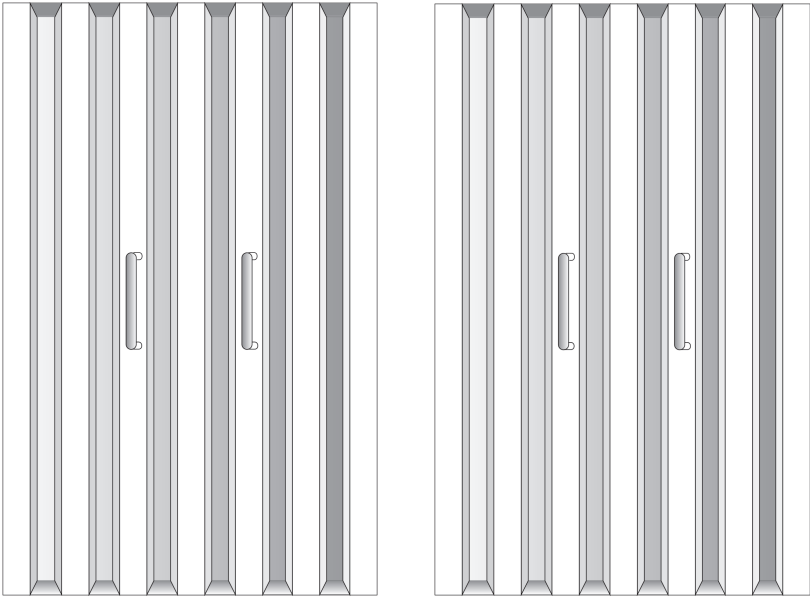
The manufacturer declines all responsibility in the event of failure to observe the instructions given here for installation, maintenance and suitable use of the product. The manufacturer further declines all responsibility for injury due to negligence and the warranty of the unit automatically expires due to improper maintenance.

WARNING

WARNING – TO REDUCE THE RISK OF A RANGE TOP GREASE FIRE:

- A. Never leave surface units unattended at high settings. Boilovers cause smoking and greasy spillovers that may ignite. Heat oils slowly on low or medium settings.
- B. Always turn hood ON when cooking at high heat or when flaming food (i.e. Crepes Suzette, Cherries Jubilee, Peppercorn Beef Flambe).
- C. Clean ventilating fans frequently. Grease should not be allowed to accumulate on fan or filters.
- D. Use proper pan size. Always use cookware appropriate for the size of the surface element.

STAINLESS STEEL PERMANENT FILTERS



About Your New Filters

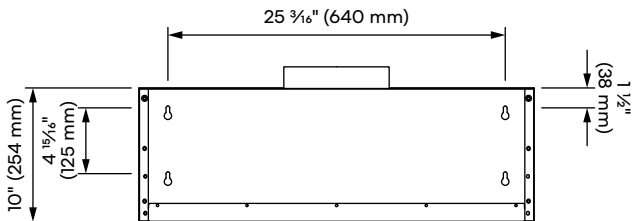
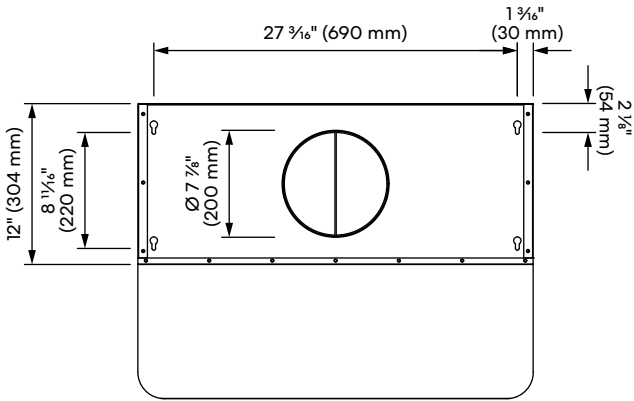
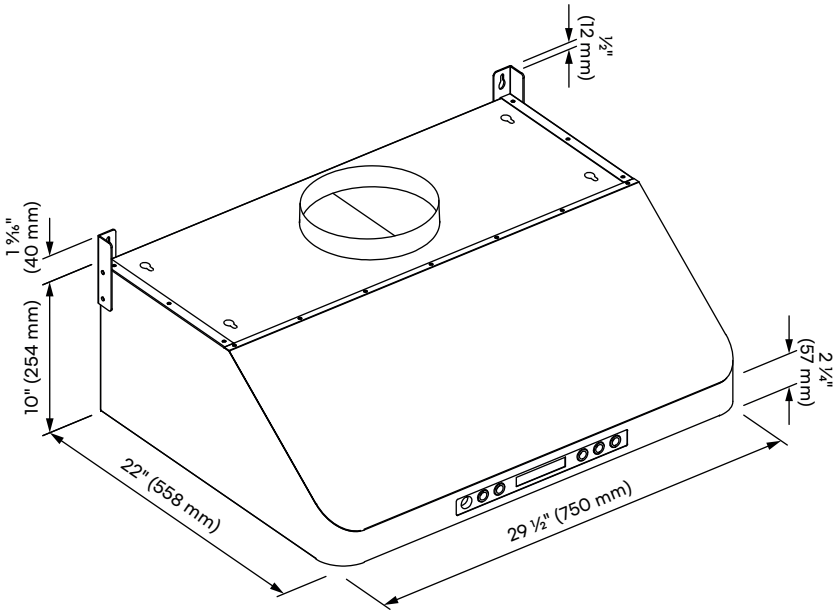
Stainless Steel Permanent Filters do not need linings or mesh inside of the filters and are completely constructed out of stainless steel. The stainless steel construction allows them to be used again and again after being cleaned or going through the dishwasher.

How do Permanent Filters work?

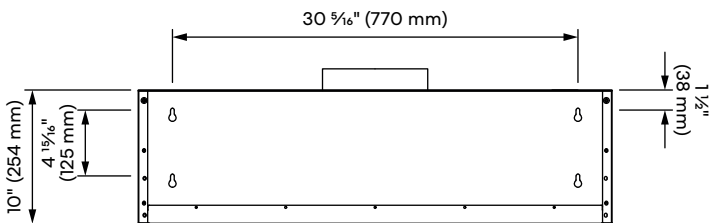
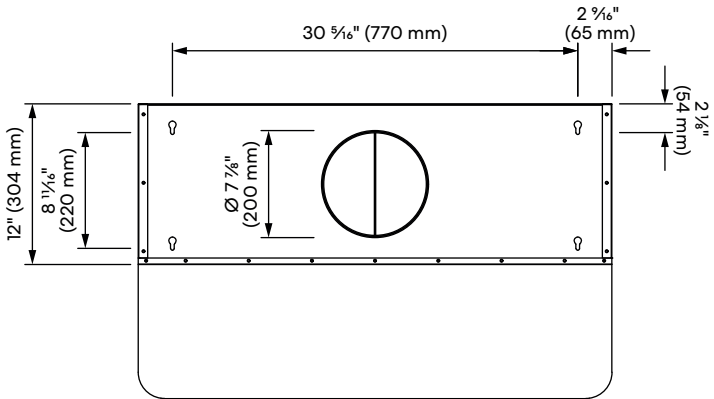
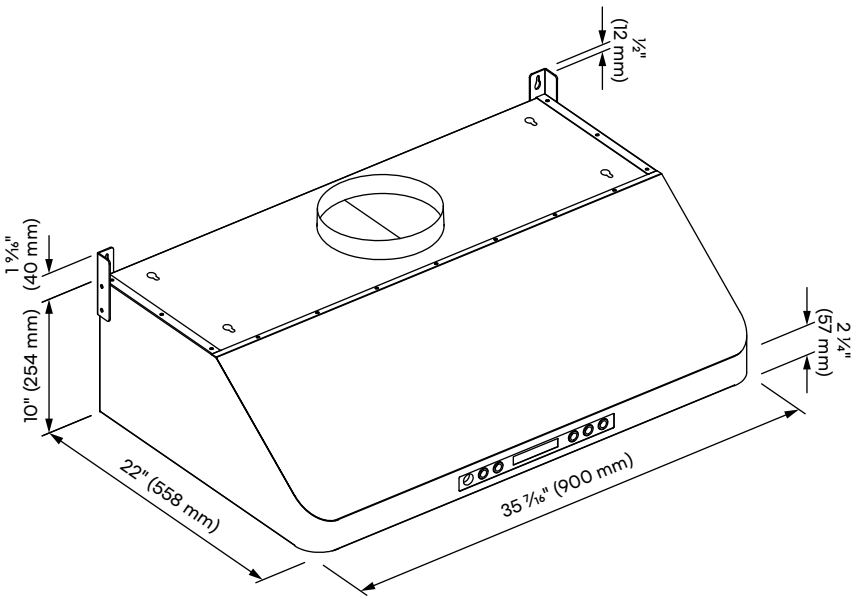
They function by forcing the grease filled air to quickly and continuously change direction as it passes through the filter. The grease is unable to change direction as fast as the air carrying it, they end up getting caught on the metal blades and then trapped into the filter tray. These filters are both efficient and require less maintenance.

Additional Aluminum or Charcoal Filters can be purchased from:
www.cosmoappliances.com

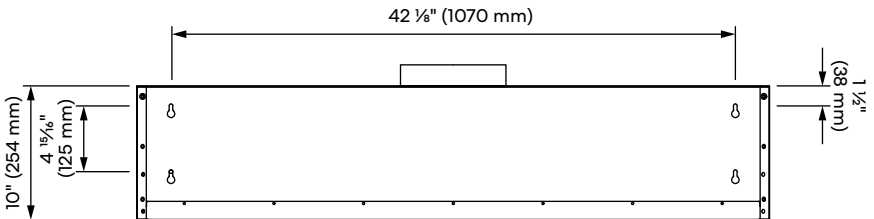
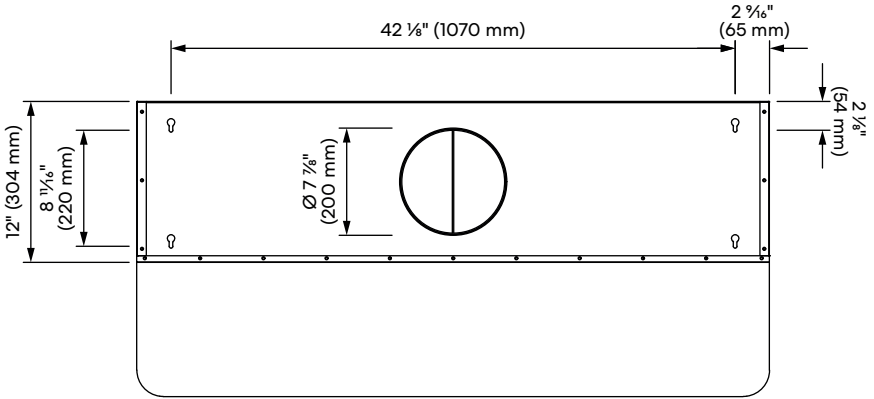
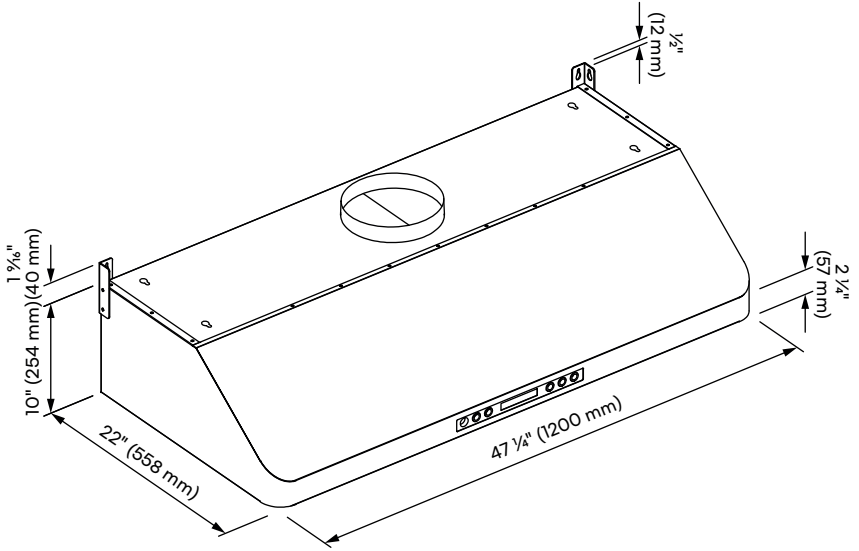
30" MODELS (COS-QB75 / COS-QS75) DIMENSIONS



36" MODELS (COS-QB90 / COS-QS90) DIMENSIONS



48" MODELS (COS-QB48 / COS-QS48) DIMENSIONS



INSTALLATION REQUIREMENTS

Sufficient air is needed for proper combustion and exhausting of gases through the chimney of fuel burning equipment to prevent back-drafting.

Follow the cooking equipment manufacturers guideline and safety standards such as those published by the National Fire Protection Association (NFPA), the American Society for Heating, Refrigeration and Air Conditioning Engineers (ASHRAE), and local code.

When cutting or drilling into wall or ceiling, do not damage electrical wiring and other hidden utilities. Ducted systems must always be vented outdoors.

BEFORE YOU BEGIN

Read these instructions completely and carefully.

- **IMPORTANT** – Save these instructions for local inspector's usage.
- **Note to Installer** – Be sure to leave these instructions with the Consumer.
- **Note to Consumer** – Keep these instructions for future reference.
- **Skill Level** – Installation of this vent hood requires basic mechanical and electrical skills.
- Proper installation is the responsibility of the installer.

CAUTION:

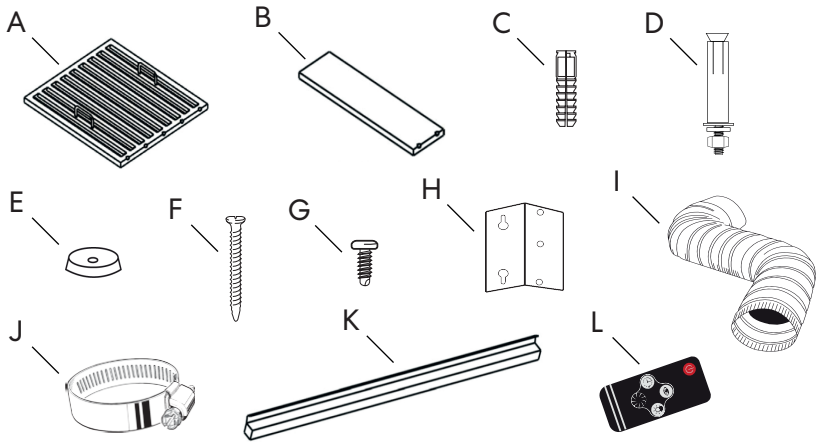
Due to the weight and size of these vent hoods and to reduce the risk of personal injury or damage to the product, **TWO PEOPLE ARE REQUIRED FOR PROPER INSTALLATION.**

WARNING:

To reduce the risk of the fire or electrical shock, do not use this range hood with any external solid-state speed control device. Any such alteration from original factory wiring could result in damage to the unit and/or create an electrical safety hazard. **TO REDUCE THE RISK OF THE FIRE, USE ONLY METAL DUCTWORK.** These vent hoods are designed to be installed onto a wall or beneath a cabinet.

TOOLS AND PARTS

PARTS SUPPLIED



NOTE: Some spare parts may be included.

- A)** Baffle Filters
- B)** Filter Spacers (2) - 36"/48" models only
- C)** Drywall Anchors (8)
- D)** Metal Anchors (4)
- E)** Beveled Washers (8)
- F)** Wood Mounting Screws (8)
- G)** Metal Screws (4)
- H)** L-Shape Mounting Brackets (2) - Optional
- I)** 8" Round Duct
- J)** Duct Clamp
- K)** Drip Tray
- L)** Remote Control - QS models only

TOOLS NEEDED



Measuring
tape



Pencil



Level



Phillips
screwdriver



Flathead
screwdriver



Drill



Tape



Hammer



Safety
Gloves



Safety
Goggles

PRE-INSTALLATION REQUIREMENTS

- Please read the instructions carefully. Unpack the Range Hood and check that all functions are working before installing.
- Ensure that the voltage (V) and the frequency (Hz) indicated on the sticker match the voltage and frequency at the installation site.
- Check that the area behind the installation surface to be drilled is clear of any electrical cables or pipes, etc.
- The stainless steel surfaces of the Range Hood are very easily damaged during installation if scratched or bumped by tools. Please take care to protect the surfaces during installation.
- Protect the cooktop surface below with cardboard, or the like, to prevent damage occurring during installation.
- The manufacturer shall not be held liable for consumer's failure to observe and follow all pre-installation procedures and safety regulations.
- The vertical distance from the cooking surface to the bottom of the range hood should be at least 24 in. to 36 in. for best performance.
- Determine if your installation will be top venting or back venting, and ensure that the openings in the cabinet or wall are in the appropriate locations and appropriate size.
- If this is a new installation, choose the venting method that suits your needs. Cut out openings for the damper and for power access in the cabinet bottom or exterior wall, depending on the installation method chosen.

DUCKWORK PLANNING

- These vent hoods are equipped for 8 in. round ductwork. This hood may be vented vertically through upper cabinet or ceiling. A duct transition piece is supplied for vertical exhaust. You may use elbows (sold separately) to vent horizontally through the rear wall (duct not included with ductless models).
- Determine the exact location of the vent hood.
- Plan the route for venting exhaust to the outdoors.
- Use the shortest and straightest duct route possible. For satisfactory performance, duct run should not exceed 12.5 ft. equivalent length for any duct configurations.
- Use metal ductwork only.

WALL FRAMING FOR ADEQUATE SUPPORT

These vent hoods are heavy. Adequate structural support must be provided.

- Actual length of straight duct plus duct fitting must be equivalent. Equivalent lengths of duct pieces are based on actual tests conducted by Evaluation Engineering and reflect requirements for good venting performance with any ventilation hood.

IMPORTANT

Plug the unit in and test all functions before installing.

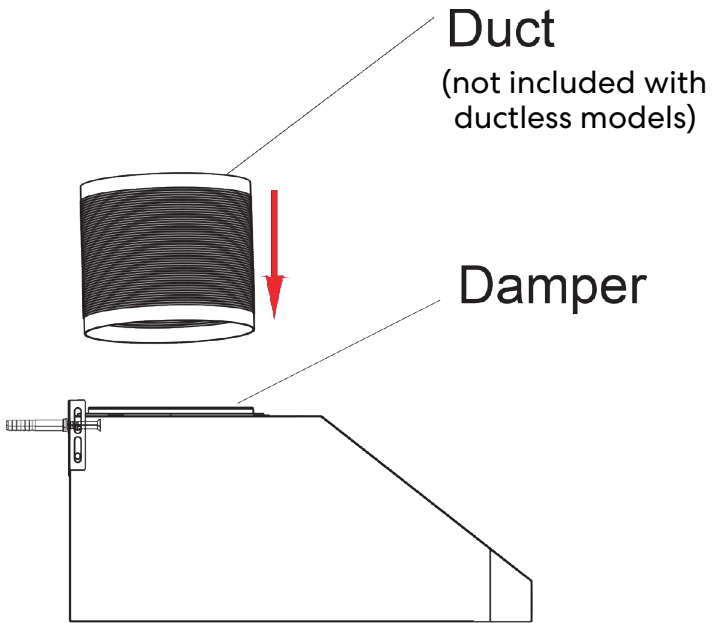
INSTALLATION INSTRUCTIONS

CAUTION: HOOD MAY HAVE VERY SHARP EDGES; PLEASE WEAR PROTECTIVE GLOVES WHENEVER IT IS NECESSARY TO REMOVE ANY PARTS FOR INSTALLING, CLEANING, OR SERVICING.

Step 1:

Connect the Duct with the Damper Opening

(Duct is not included with ductless models.)



Secure duct around damper opening with duct clamp.
(Duct clamp is not included with ductless models.)



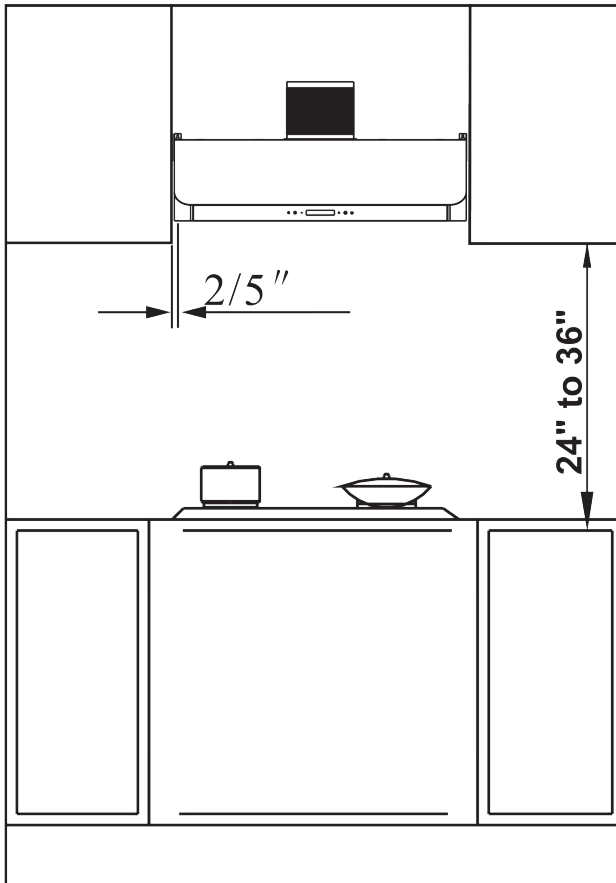
INSTALLATION INSTRUCTIONS

Step 2:

Installing the Range Hood

CLEARANCE

24" (61.0 cm) minimum and 36" (91.4 cm) suggested maximum clearances between cooking surface and bottom of the range hood.

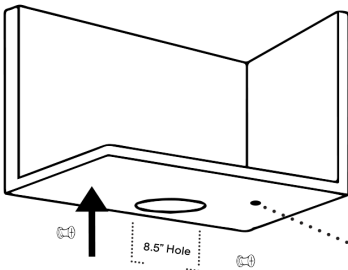


INSTALLATION INSTRUCTIONS

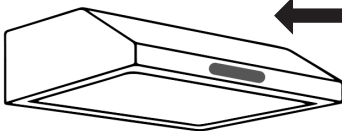
Mounting the Range Hood

Due to the weight of the unit, we recommend mounting the range hood to the wall first and then secure it to the bottom of the cabinet using the top mounting holes.

1. Locate the key holes at the back and top of the range hood. Mark their locations at the installation location (wall / bottom of cabinet) with a pencil or marker.
2. Drill (4) 5/16" (8 mm) holes into wall at each of the marked locations, and drill an electrical access hole through bottom of cabinet if necessary.
3. Insert (4) included drywall anchors into wall holes. Firmly tap them into place.
4. Insert (4) mounting screws into anchors and leave 1/4" out for range hood to hang on.
5. Using 2 or more people, hang range hood into place by aligning the screws on the wall with the four key holes in the back of the range hood. Make sure the duct and the power cord are run through the cabinet.
6. Tighten up the mounting screws to secure the range hood to the wall while supporting the range hood.
7. Once range hood is secured to the wall, locate the top key holes on the range hood. Insert (4) mounting screws through top key holes and fasten the range hood to the bottom of the cabinet by tightening screws with a drill or screwdriver.



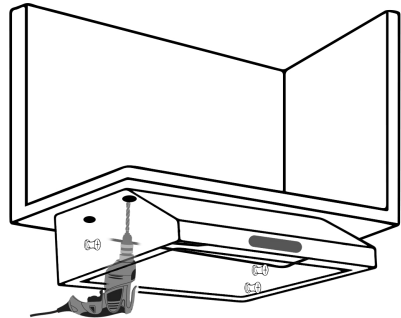
Drill all holes first



ELECTRICAL ACCESS HOLE

Hang unit on wall

Secure range hood to cabinet by inserting and tightening screws from inside.



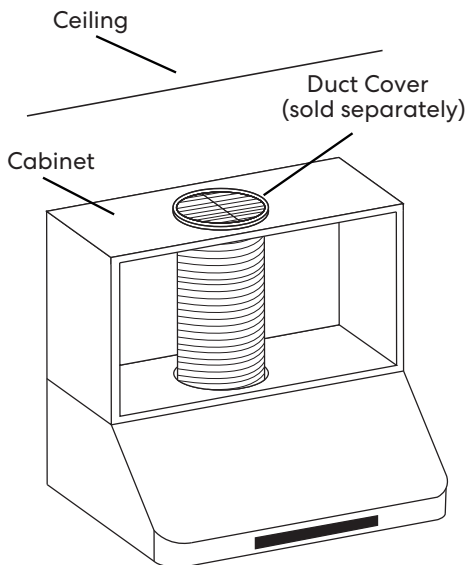
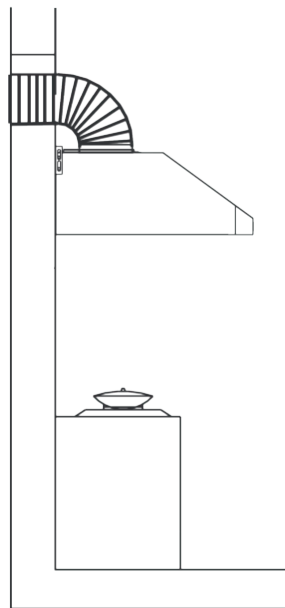
INSTALLATION INSTRUCTIONS

Step 3:

Connect to Existing Duct System

For best performance, avoid steep angles in duct system.

(Duct is not included with ductless models.)



Ductless Installation:

Vent duct through cabinet and attach duct cover (sold separately) on top of cabinet.

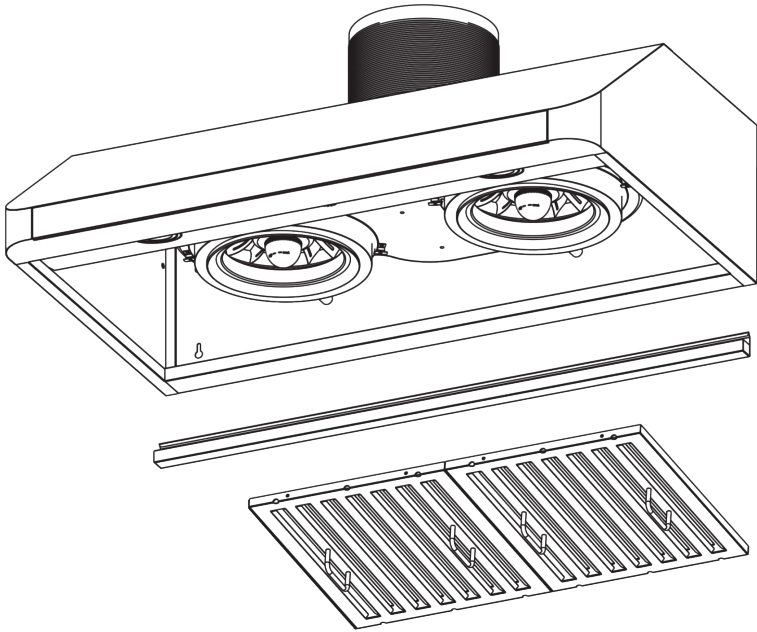
(Duct is not included with ductless models.)

INSTALLATION INSTRUCTIONS

Step 4:

Complete Installation

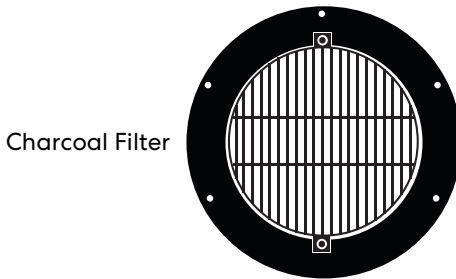
1. Install the drip tray inside the bottom rear of the range hood.
2. Install the baffle filters by inserting at an angle towards the rear of the range hood. Then push the filter up and insert front of filter into front recess. Slightly lower and slide back the filter, and make sure the filter is properly installed in position.



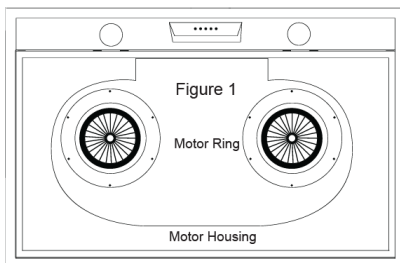
CHARCOAL FILTERS INSTALLATION

Skip this page for ducted installation.

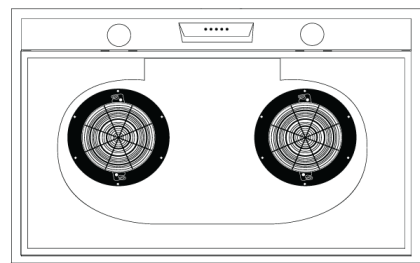
Charcoal filters are only included with ductless (recirculating) models. Before installing charcoal filters, make sure the unit is powered off and unplugged.



Before Installation



After Installation



Note: This is a top venting range hood. A venting hole must be cut into the cabinet for proper air circulation.

Installing the Charcoal Filter (For Ductless Installation Only)

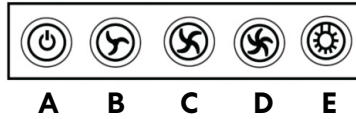
1. Remove the permanent baffle filters from the range hood.
2. Remove the motor fan cover by unscrewing the 6 screws along the motor ring of each fan while supporting the cover.
3. Align the screw holes on the charcoal filter to the screw holes along each motor ring, and replace the screws previously removed.
4. Replace the permanent baffle filters. Keep and store the motor fan covers in case of ducted re-installation.

The charcoal filter should be replaced after approximately 6 months of normal use.

Additional or replacement charcoal filters and permanent baffle filters can be purchased from www.cosmoappliances.com

CONTROLS

Push-Button Models (COS-QB75/90/48)



A. Blower Off

Turns the blower off.

B. Blower Speed Minimum

Turns on and sets the blower to minimum speed.

C. Blower Speed Medium

Turns on and sets the blower to medium speed.

D. Blower Speed Maximum

Turns on and sets the blower to maximum speed.

E. Light

Turns the lights on or off.

CONTROLS

Soft-Touch Models (COS-QS75/90/48)



A. Clock/Timer

With the blower turned off: Sets the 12-hr format clock time.

With the blower turned on: Sets the timer to automatically turn off the blower. (Up to 15 minutes.)

Setting the Clock

1. Turn off the blower.
2. Press the Timer button (A) once. The clock will light up and blink in the display.
3. Immediately use the + (D) or - (C) buttons to set the clock hour.
4. Press the Timer button (A) again, and immediately use the + (D) or - (C) buttons to set the clock minutes. Wait for 3 seconds without pressing any buttons for the clock time to be saved.

Setting the Timer

1. Turn on the blower at desired speed.
2. Press the Timer button (A) once. The length of operating time is set to the default 1 minute.
3. Use the + (D) or - (C) buttons to set the desired length of operating time up to 15 minutes. After the time has completed, the blower will automatically turn off.

B. Light

Turns the lights on or off.

C. Minus

Decreases the blower speed or the clock/timer.

With the blower turned off, press this button once will turn on and set the blower to maximum speed.

D. Plus

Increases the blower speed or the clock/timer.

With the blower turned off, press this button once will turn on and set the blower to minimum speed.

E. Power

Turns the display on or turns both the display and blower off.

MAINTENANCE

CLEANING

CAUTION:

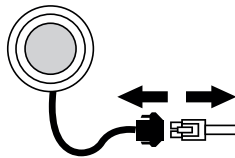
- Never put your hand inside of the unit while its operating.
 - For the best performance clean your range hood regularly.
1. Use only mild soap or cleaning solutions to clean the range hoods outer surface. Dry surfaces using a soft cloth.
 2. Stainless steel cleaner may be used on the external surface.
 3. Cleaning the baffle filters: For daily cleaning, use hot, soapy water and a soft cloth. Wipe dry and finish with a damp micro-fiber cloth. Baffle filters can also be cleaned in the dishwasher.
 4. Clean the range hood assembly once every 6 months.
 5. Do not clean the motor or electrical components with water or any other liquid.

REPLACING LIGHT BULBS

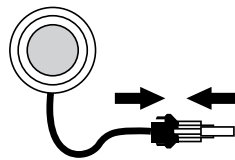
CAUTION:

- Turn off the range hood and allow the LED Lights to cool.
- Replace the LED lights using tissue or wearing cotton gloves to handle them.

1. Disconnect power.
2. Remove the metal filters.
3. Disconnect the LED light cable from the range hood.



4. Use a flat-blade screwdriver to gently pry and remove the LED light.
5. Install a replacement LED light. Be sure to properly align the LED light with the opening and the LED light is securely locked into place.
6. Connect the LED light cable to the range hood.



7. Reinstall the metal filters into the range hood.
8. Reconnect power.

TROUBLESHOOTING

CAUTION: Always unplug unit from power before servicing.

PROBLEM	SOLUTION	TOOLS
My range hood is noisy.	A. Check inside the range hood for any loose debris and remove it.	Phillips Screwdriver
My range hood has poor performance.	A. The range hood and cooktop are too far away from each other. Optimal distance is 24" to 36". B. There are too many open windows or doors in the area. Close some doors or windows. C. The motor performance has decreased due to wear. Replace motor. D. Check and make sure the tape holding down the damper flaps at the vent hole are removed before use.	Phillips Screwdriver
My range hood shakes.	A. The installation is not secure. Check again and make sure the installation hardware is securely mounted. B. The fan is broken or not balanced. Realign or replace fan. C. The motor is loose. Check and make sure the motor is solidly mounted to the unit.	Phillips Screwdriver
The motor no longer runs.	A. Replace control panel or circuit board. B. Replace with new motor assembly.	Phillips Screwdriver
Light bulbs went out.	A. Replace with a new LED lamp.	Phillips Screwdriver

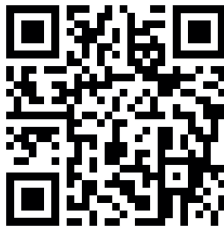
LIMITED WARRANTY

WARRANTY AND SERVICE

TO RECEIVE WARRANTY SERVICE, YOUR PRODUCT MUST BE REGISTERED.
TO REGISTER AND REVIEW FULL WARRANTY DETAILS, VISIT:

WWW.COSMOAPPLIANCES.COM/WARRANTY

SCAN TO REGISTER



CUSTOMER SUPPORT

TO CHAT WITH US LIVE FOR ASSISTANCE, VISIT:

WWW.COSMOAPPLIANCES.COM/CHAT

SCAN TO CHAT



IMPORTANT

Do Not Return This Product To The Store

If you have a problem with this product, please contact COSMO Customer Support at

+1 (888) 784-3108

DATED PROOF OF PURCHASE, MODEL #, AND SERIAL # REQUIRED FOR WARRANTY SERVICE.

IMPORTANT

Ne pas Réexpédier ce Produit au Magasin

Pour tout problème concernant ce produit, veuillez contacter le service des consommateurs Cosmo Customer Support au

+1 (888) 784-3108

UNE PREUVE D'ACHAT DATEE EST REQUISE POUR BENEFICIER DE LA GARANTIE.

IMPORTANTE

No regrese este producto a la tienda

Si tiene algún problema con este producto, por favor contacte el ayuda al cliente COSMO al

+1 (888) 784-3108

(Válido solo en E.U.A.)

NECESITA UNA PRUEBA DE DE COMPRA FECHADA, NÚMERO DE MODELO Y DE SERIE PARA EL SERVICIO DE LA GARANTÍA.



Correct disposal of this product:

This marking indicates that this appliance should not be disposed with other household wastes. To prevent possible harm to the environment or human health from uncontrolled waste disposal, recycle it responsibly to promote the sustainable reuse of material resources.



APPLIANCES

Cosmo is constantly making efforts to improve the quality and performance of our products, so we may make changes to our appliances without updating this manual.

Electronic version of this manual is available at:
www.cosmoappliances.com