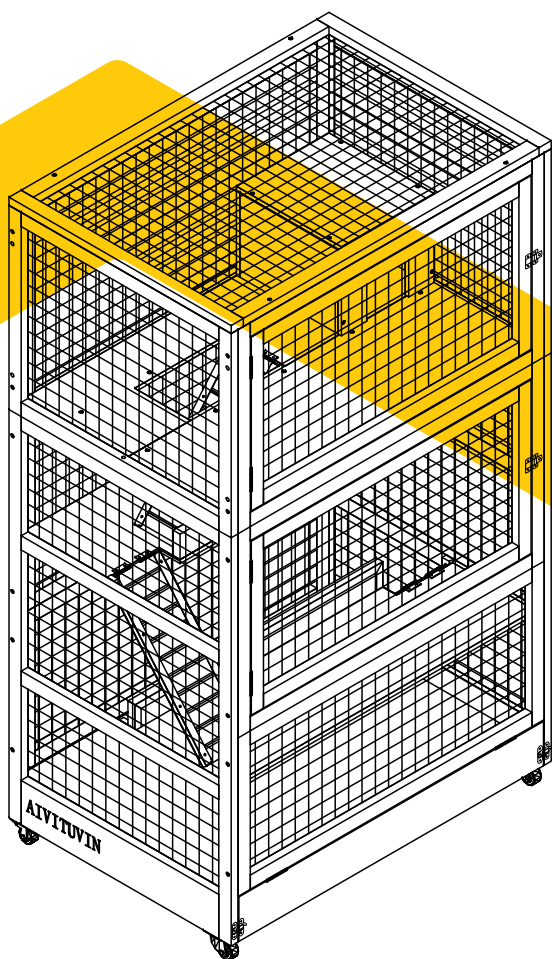


# INSTRUCTION MANUAL

AIR 56



The logo for Aivituvin, featuring a stylized house icon above the brand name.

[www.aivituvin.com](http://www.aivituvin.com)



## NOTICE

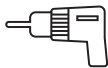
Please retain these instructions for future reference.

- Firmly secure all bolts,screws and knobs before use.
- Reconfirm that all bolts,screws,and knobs are secure every 90 days.
- Fasten screws loosely during initial assembly. Do not fully tighten screws until the item is completely assembled.
- Do not use or store this item in the proximity of open flame or flammable/combustible chemicals.
- Be aware that some parts are heavy and have sharp edges.
- Be aware that moving parts can injure,crush and cut.
- If any parts are missing,broken,damaged,or worn,stop using this product until repairs are made and/or factory replacement parts are installed.
- Do not use this item in a way inconsistent with the manufacturer' s instructions as this could void the product warranty.

## TOOLS REQUIRED //



PHILLIPS  
SCREWDRIVER



DRILL  
(RECOMMENDED)



2PERSON  
ASSEMBLY



APPROXIMATELY  
45MIN. ASSEMBLY

## HARDWARE //

M3.5x60mm SCREW  
6PCS+1 spare



P1

M3.5x40mm SCREW  
28PCS+1 spare



P2

M3.5x30mm SCREW  
6PCS+1spare



P3

M3.5x25mm SCREW  
40PCS+1 spare



P4

M3.0x16mm SCREW  
28PCS+1spare



P5

4PCS



P6

1PC



P7

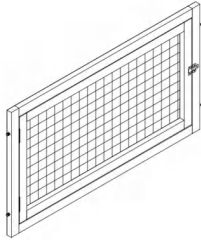
Bowl  
1PC



P8

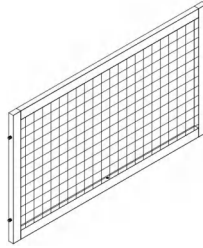
# PARTS //

Front Panel-Upper  
2PCS



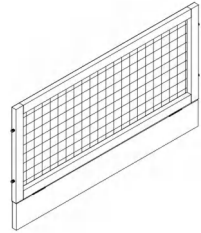
**A**

Back Panel-Upper  
2PCS



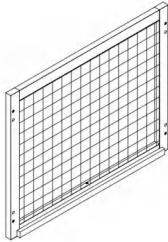
**B**

Front/Back Panel-Lower  
2PCS



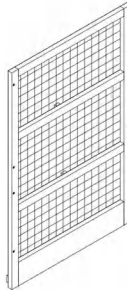
**C**

Side Panel-Upper  
2PCS



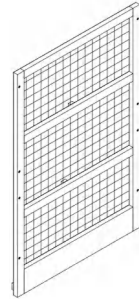
**D**

Left Side Panel  
1PC



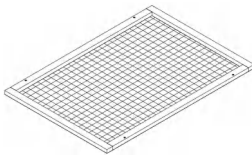
**E**

Right Side Panel  
1PC



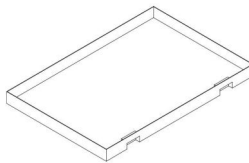
**F**

Roof  
1PC



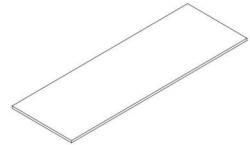
**G**

Tray  
1PC



**H**

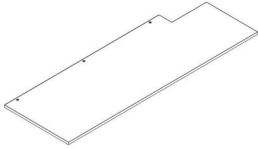
Bottom Panel  
2PCS



**I**

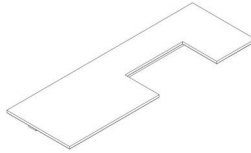
# PARTS

Middle Panel  
2PCS



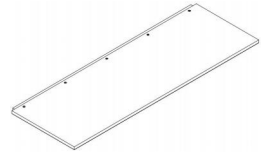
**J**

Upper Panel-K  
1PC



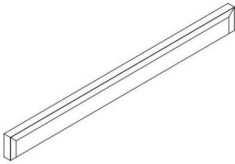
**K**

Upper Panel-L  
1PC



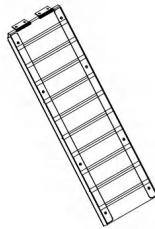
**L**

Fence  
2PCS



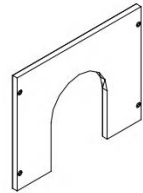
**M**

Ramp  
3PCS



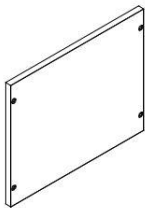
**N**

Front panel of small house  
2PCS



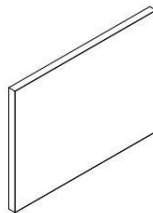
**O**

Back panel of small house  
2PCS



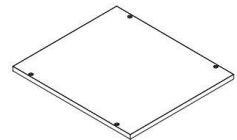
**P**

Side panel of small house  
4PCS



**Q**

Roof of small house  
2PCS



**R**

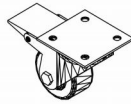
# PARTS //

Casters  
2PCS



S

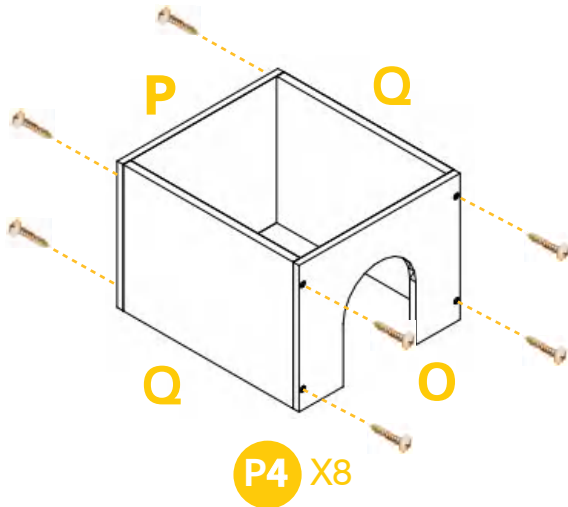
Casters with brake  
2PCS



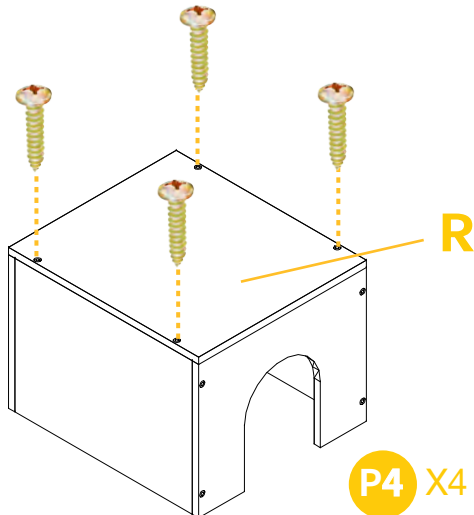
T

# PRODUCT ASSEMBLY //

**01** Attach Part Q, Part P and Part O by 8xP4 screws.



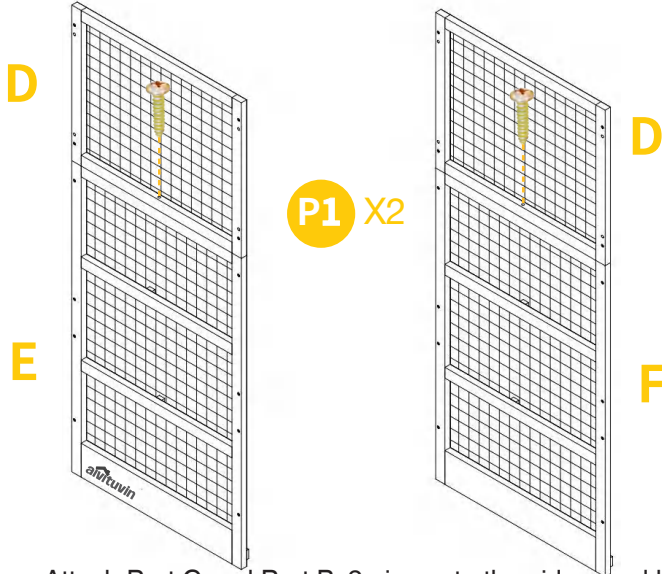
**02** Attach the top panel Part R by 4XP4 screws.  
Repeat Step 1&2 to complete the other small houses.



# PRODUCT ASSEMBLY //

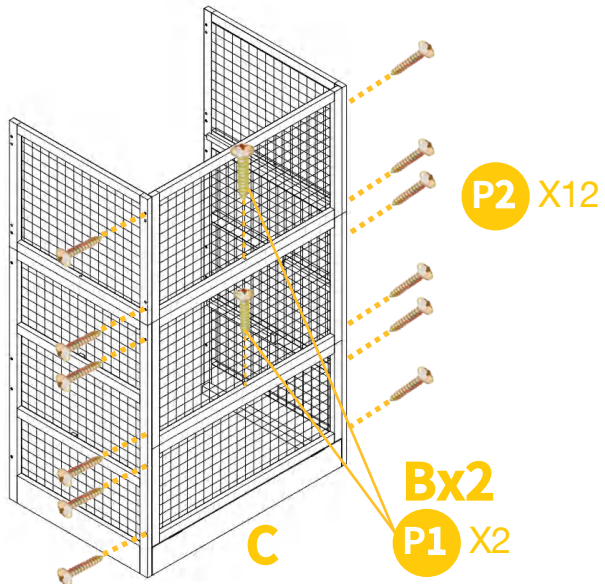
## 03

Attach the left side panel Part D with Part E by 1XP1 screw.  
Attach the right side panel Part D with Part F by 1XP1 screw.



## 04

Attach Part C and Part Bx2 pieces to the side panel by 12XP2 screws.  
Screw Part B by 2XP1.

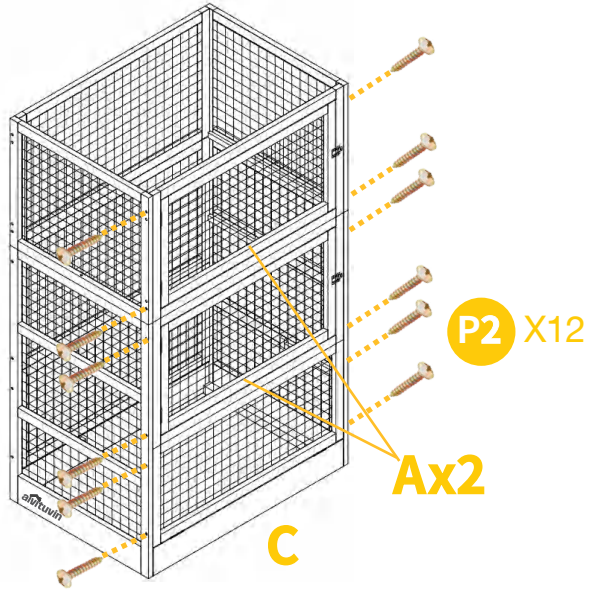




# PRODUCT ASSEMBLY //

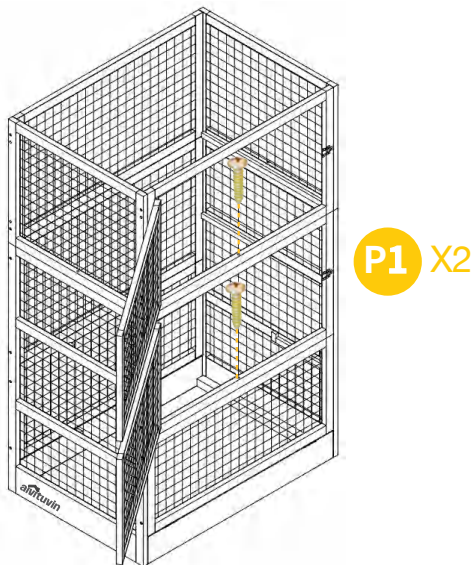
05

Repeat Step 4 on the front view.



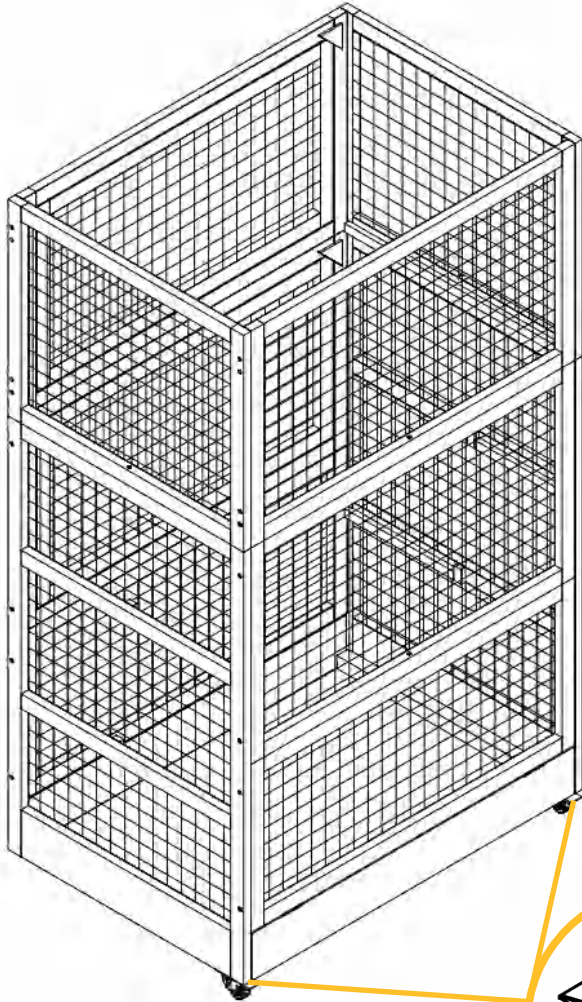
06

Repeat Step 4 on the front view.



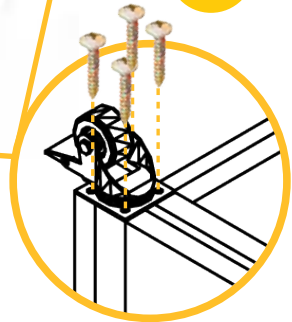
# PRODUCT ASSEMBLY //

**07** Attached Part T by 8XP4 screws.



**Tx2**

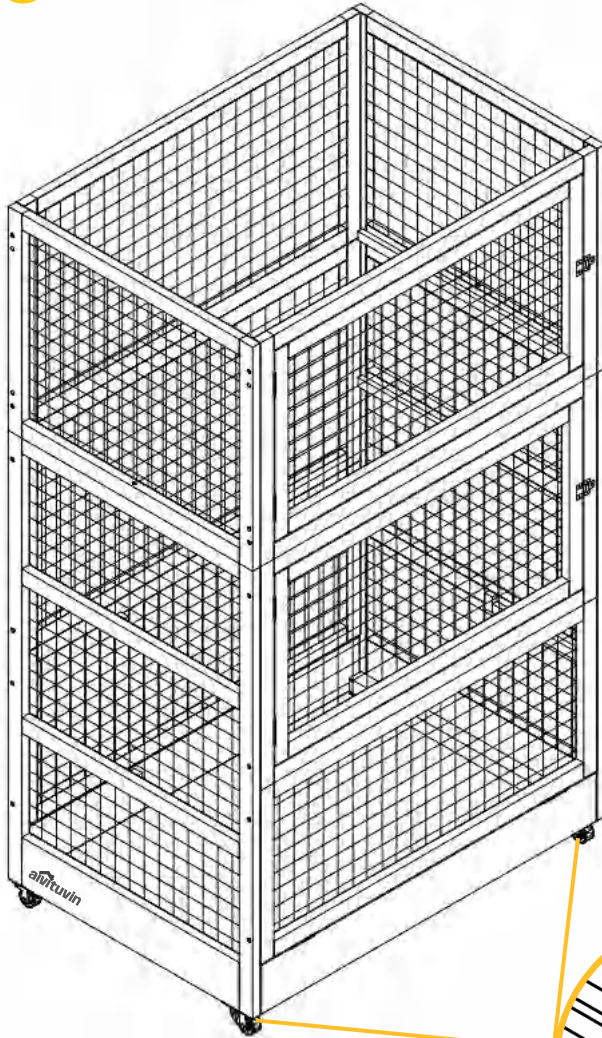
**P4 X8**



# PRODUCT ASSEMBLY //

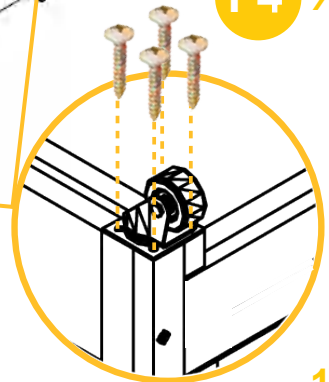
# 08

Attached Part S by 8XP4 screws.



Sx2

P4 X8

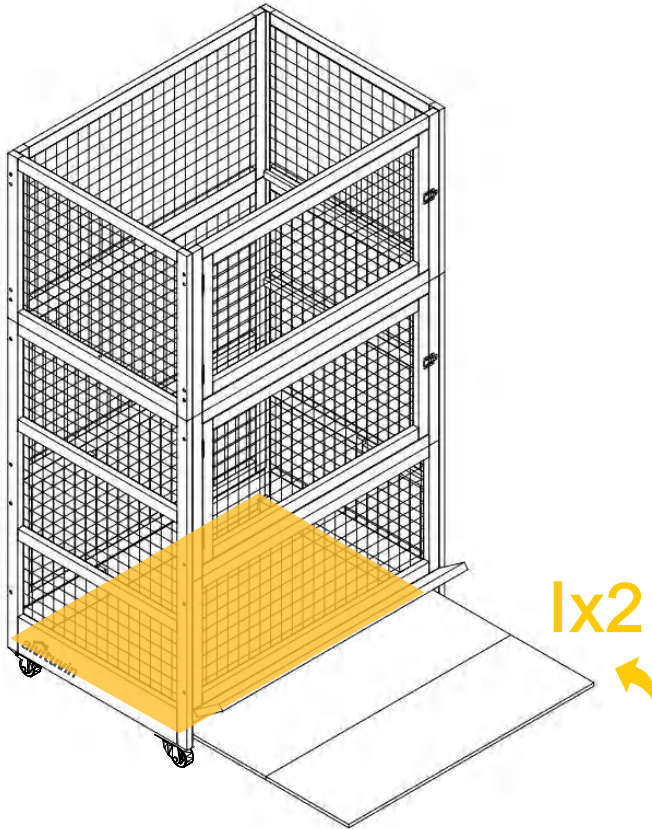


10

# PRODUCT ASSEMBLY //

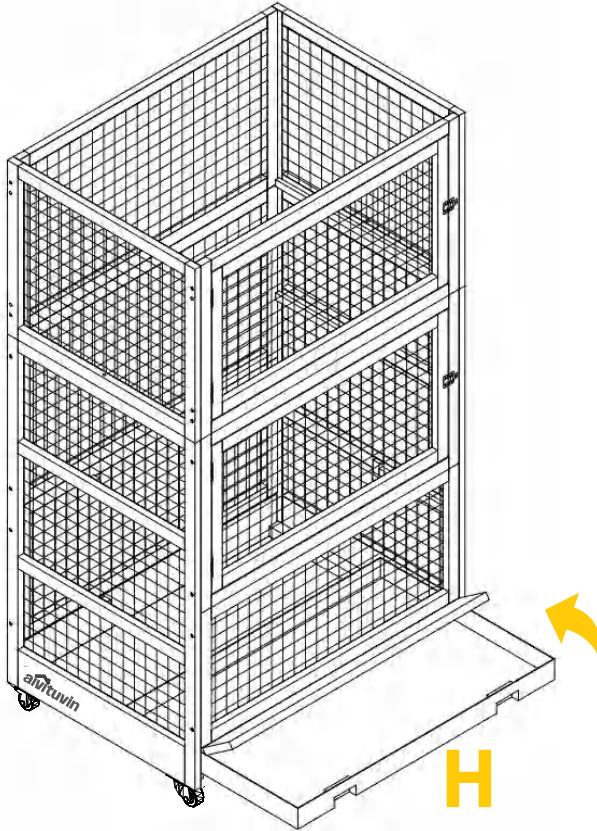
09

Put in Part I.



## PRODUCT ASSEMBLY //

**10** Slide in the tray.

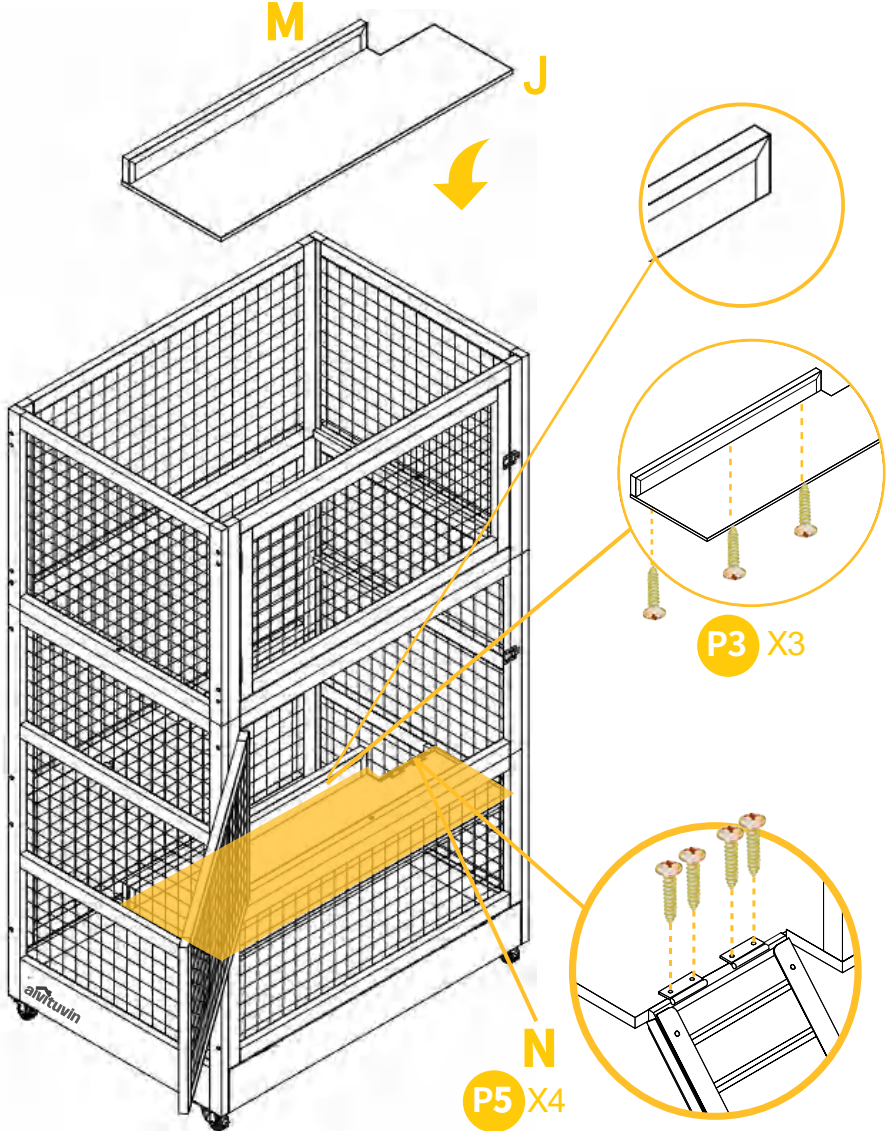


# PRODUCT ASSEMBLY //

# 11

Screw the Part M to Part J from the bottom by 3XP3 screws and then put it into the cage (Please kindly note the the side with metal frame should be **OUTWARDS**).

Screw Part N to Part J by 4XP5 screws.

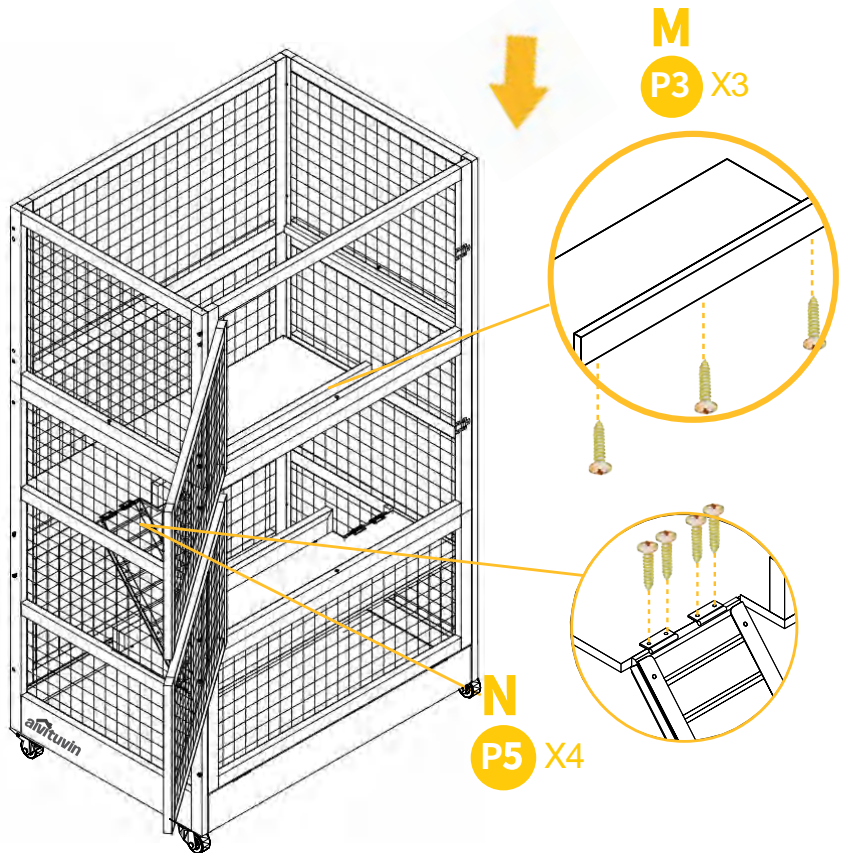


## PRODUCT ASSEMBLY //

# 12

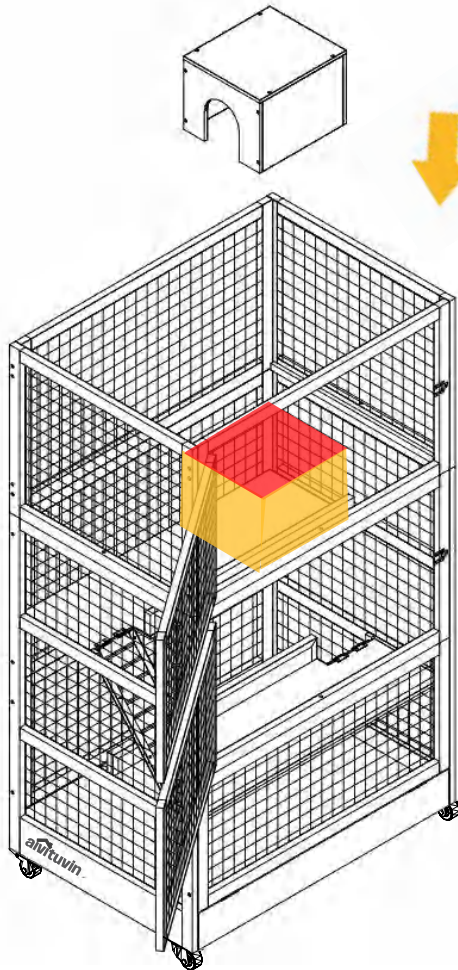
Screw the Part M to Part J from the bottom by 3XP3 screws and then put it into the cage(Please kindly note the the side with metal fram should be **INWARDS** ).

Then Screw Part N to Part J by 4XP5 screws.



## PRODUCT ASSEMBLY //

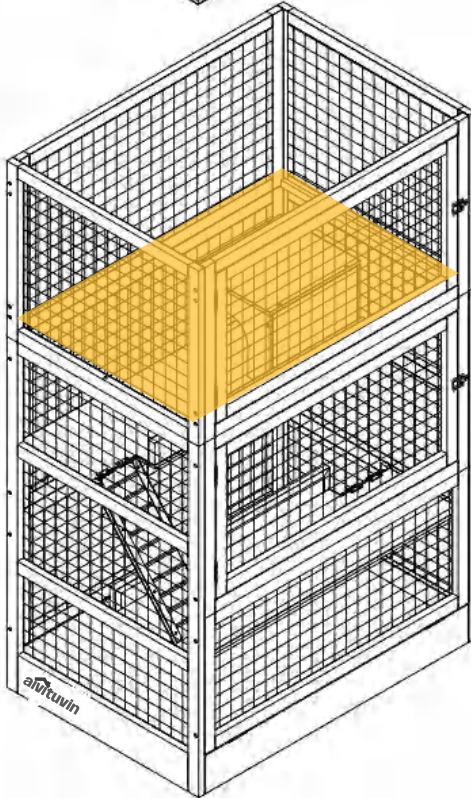
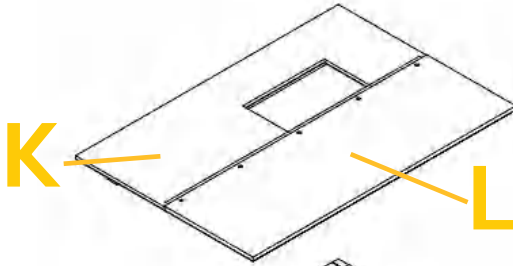
**13** Put in the small house.





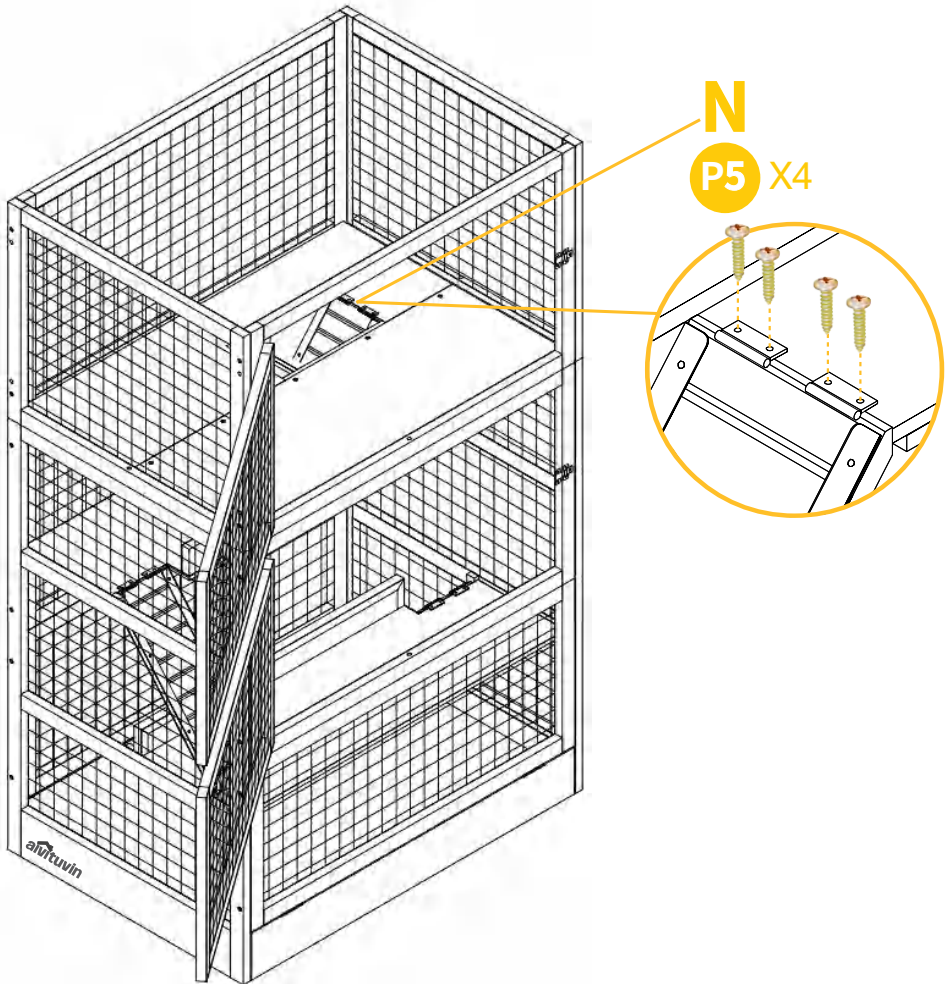
## PRODUCT ASSEMBLY //

**14** Put in Part K & Part I.



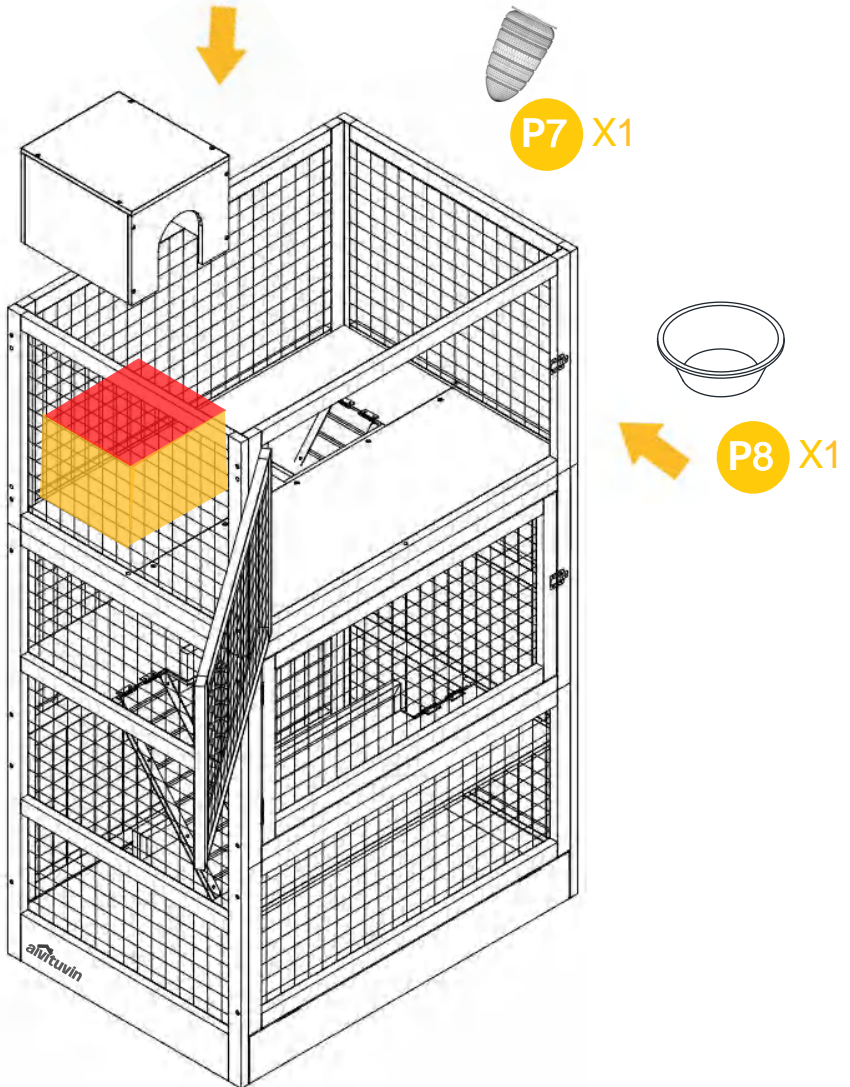
## PRODUCT ASSEMBLY //

**15** Screw Part N to Part K by 4XP5 screws.



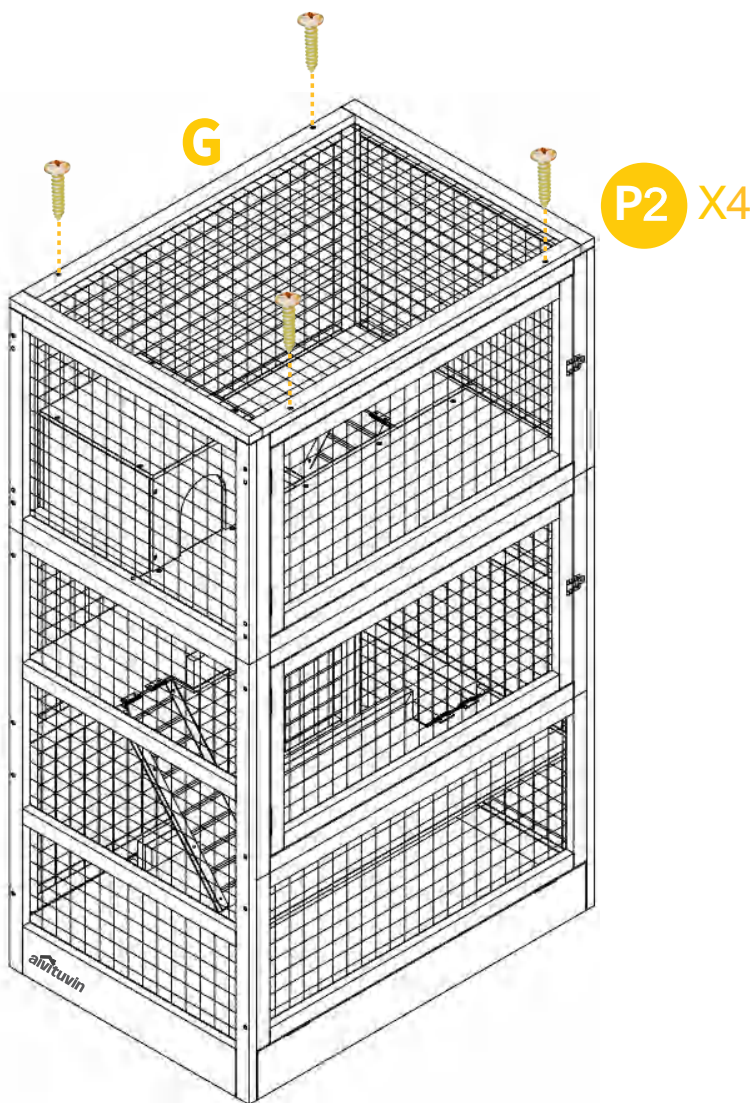
## PRODUCT ASSEMBLY //

**16** Put in the other small house and the chewing toy, bowel.



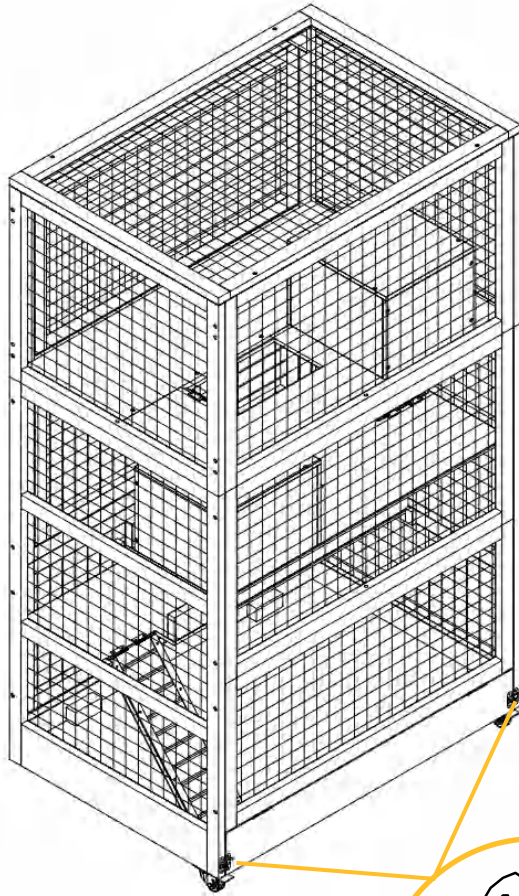
## PRODUCT ASSEMBLY //

**17** Attached Part G by 4XP2 screws.



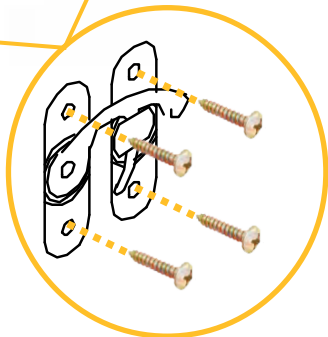
## PRODUCT ASSEMBLY //

**18** Screw the latch by 4XP5 screws on each side.



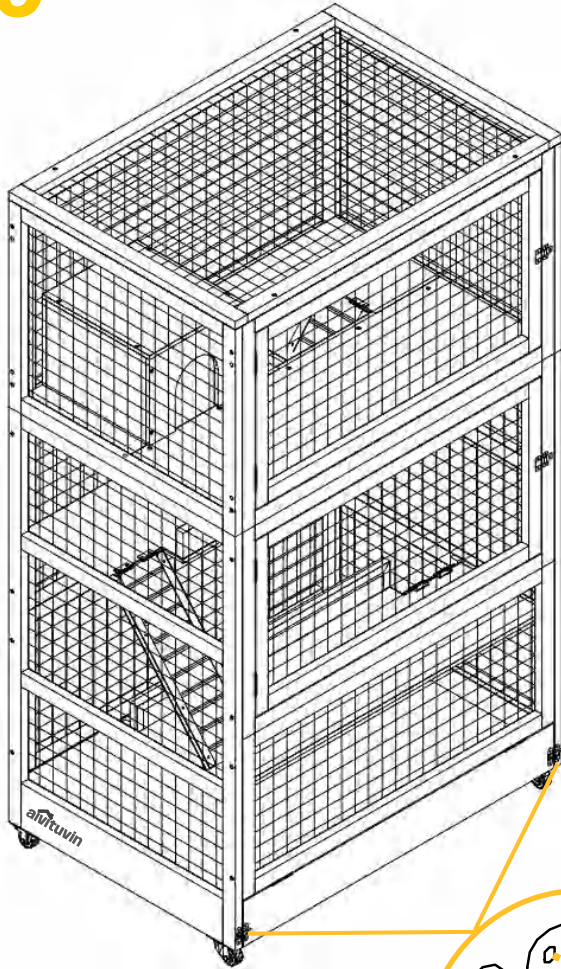
**P6** X2

**P5** X8



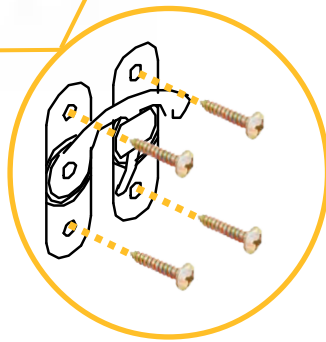
# PRODUCT ASSEMBLY //

**19** Repeat on the front view.



**P6** X2

**P5** X8







**WARNING**

Manufacturer and seller expressly disclaim any and all liability for personal injury, property damage or loss, whether direct, indirect, or incidental, resulting from the incorrect attachment, improper use, inadequate maintenance, or neglect of this product.