

reaching airo comfort

With our thanks to you, we sincerely hope you will enjoy your [™] portable air conditioner trouble-free in the years ahead. If you do have any questions however, regarding this manual, installation or operation, please know that we are always here to assist you with any concern!

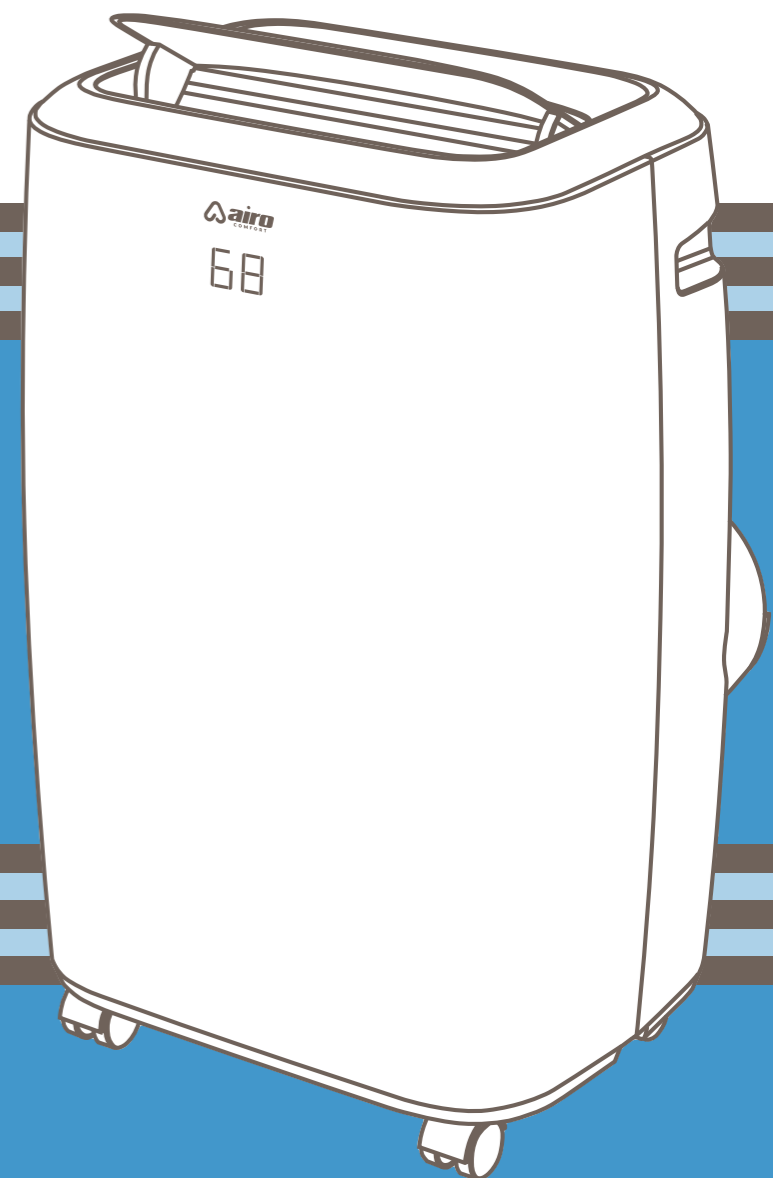
1-(800) 838-1198

airocomfort.com/contact

support@airocomfort.com



MODELS
AC08MWS
AC10MWS
AC12MWS
AC12HMWS
AC14MWS
AC14HMWS



PORTABLE AIR CONDITIONER



PORTABLE AIR CONDITIONER MODELS OVERVIEW

	MODEL	BTU	SACC	SQ FT COVERAGE
	AC08MWS	8,000	5,000	200
	AC10MWS	10,000	6,000	350
	AC12MWS	12,000	8,000	450
Heat option	AC12HMWS	12,000	8,000	450
	AC14MWS	14,000	10,000	600
Heat option	AC14HMWS	14,000	10,000	600

SIMPLY RELIABLE.

COOLING, HEATING & HUMIDITY SOLUTIONS FOR YOUR HOME

BEFORE YOU START

Take a few moments register your product at airocomfort.com/register. You'll always know about the latest updates, coupons, and other relevant information. Although greatly appreciated, product registration is not required to activate any warranty.

BEFORE FIRST USE

To prevent any internal damage, it is very important to keep your *airo comfort*™ air conditioner standing upright and outside the box for 24 HOURS before plugging it in.

SAVE THIS MANUAL FOR FUTURE REFERENCE

TABLE OF CONTENTS

Important Safety Instructions 2

Housing & Parts Description 3

Assembly Preparation 4

Window Installation 1 5

Window Installation 2 7

Control Panel and Remote Functions 8

Operation 9

Water Drainage 10

Maintenance 11

Troubleshooting 12

Warranty 13

Reaching *airo comfort*™ 14

important safety instructions

When using your *airo comfort*™ 14,000 BTU Portable Air Conditioner, basic safety precautions should always be followed to reduce the risk of fire, electrical shock, and/or injury to persons. **Please read all assembly and operation Instructions. Failing to do so may result in incorrect operation, damage or even personal injury!**

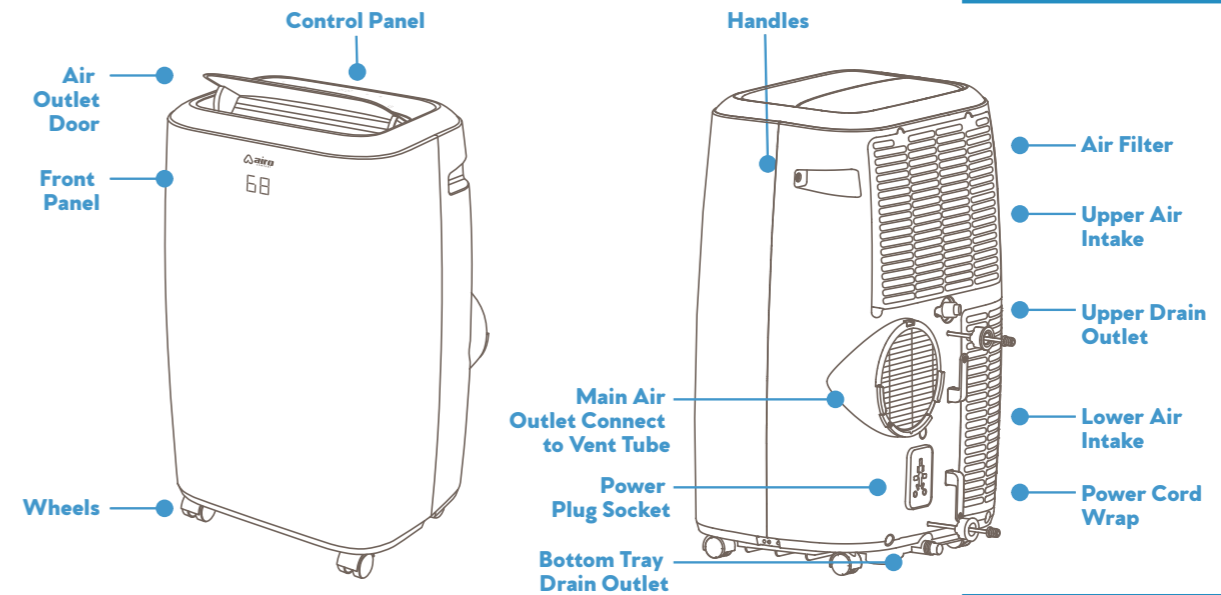


THIS SYMBOL INDICATES INSTRUCTIONS THAT MUST BE OBSERVED. FAILING TO DO SO MAY RESULT IN SERIOUS INJURY OR DEATH.

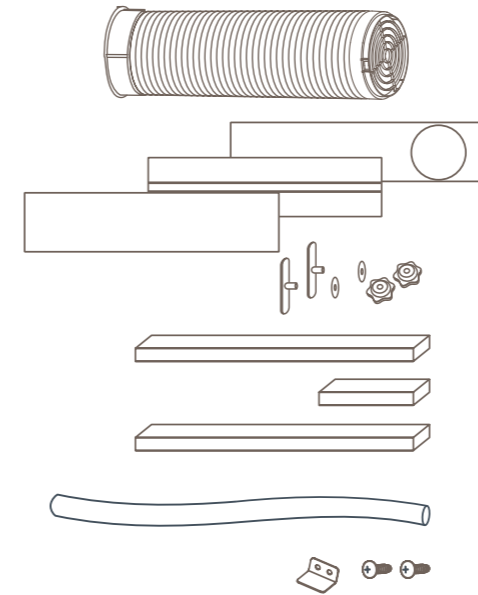
- The appliance is for indoor use only.
- Use this appliance only for its intended purpose as described in this manual.
- Visually inspect it to ensure there is no damage. If you suspect the appliance has been damaged, contact a technician or our customer service team for assistance.
- Installation must be performed according to the installation instructions. Improper installation can cause water leakage, electrical shock, or fire.
- Use only the included accessories, parts, and specified tools for installation. Otherwise, it may cause water leakage, electrical shock, fire, injury, or property damage.
- Make sure that the outlet you are using is grounded and has the appropriate voltage. The power cord is equipped with a three-prong grounding plug to protect against shock. Voltage information can be found on the side of the unit, behind the grille.
- Install and always keep the unit on a flat, sturdy surface. Failure to do so could result in damage or excessive noise and vibration.
- **DO NOT** install the air conditioner in a wet room, such as a bathroom or laundry room. Too much exposure to water can cause electrical components to short circuit.
- **DO NOT** install the air conditioner in a place that may be exposed to combustible gas, as this could cause fire.
- The appliance must be kept free from obstruction to ensure proper function and to mitigate safety hazards.
- **DO NOT** modify the length of the power cord or use an extension cord to power the unit.
- **DO NOT** share a single outlet with other electrical appliances. An improper power supply can cause fire or electrical shock.
- Turn off the appliance when not in use.
- The air conditioner has wheels to facilitate moving. Do not use the wheels on thick carpet or to roll over objects, as these could cause tipping.
- **DO NOT** operate the air conditioner if it has been dropped or damaged.
- If the air conditioner is knocked over during use, turn it off and unplug it from the main power supply immediately.
- **DO NOT** touch the air conditioner with wet hands.
- **DO NOT** allow children to play with the air conditioner. Children must be supervised around the air conditioner at all times.
- In a thunderstorm, power off the air conditioner to avoid damage due to lightning.



housing & parts description

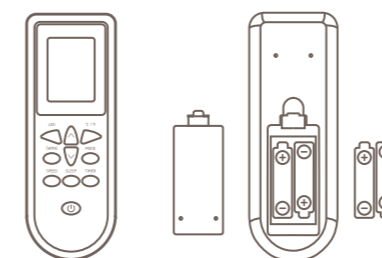


Housing Functions and Connections



	QUANTITY
Vent Tube Assembly	1
Window Sliders	3
Window Slider Lock Kit	1
Foam Seal A (with adhesive)	1
Foam Seal B (with adhesive)	2
Foam Seal C	1
Drain Hose	1
Security Bracket and 2 Screws	1

Installation Connectors

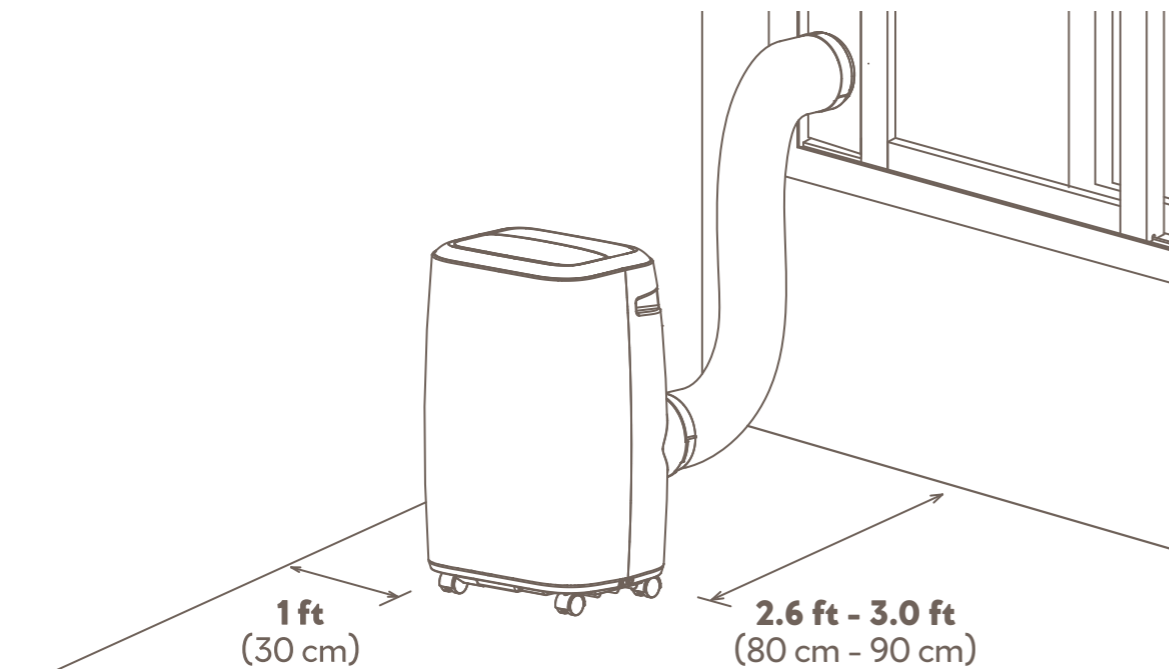


Remote Control	1
Batteries	2

Accessories

assembly preparation

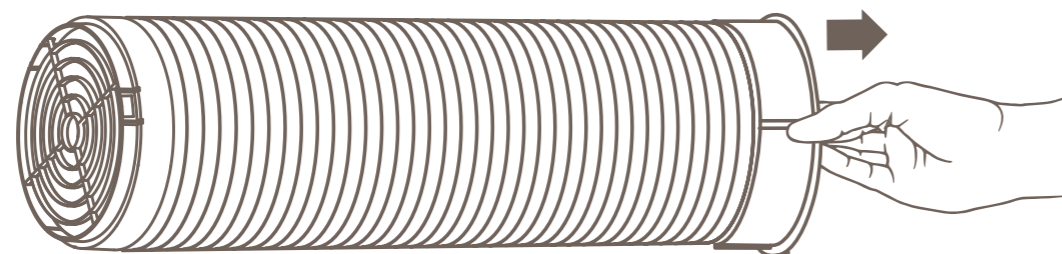
Before You Begin Make sure that you install your unit on an even surface for minimal noise and vibration. The unit must be installed near a grounded plug and the Bottom Tray Drain Outlet (on the back of the unit) must be accessible.



Minimum unit to wall surface distance

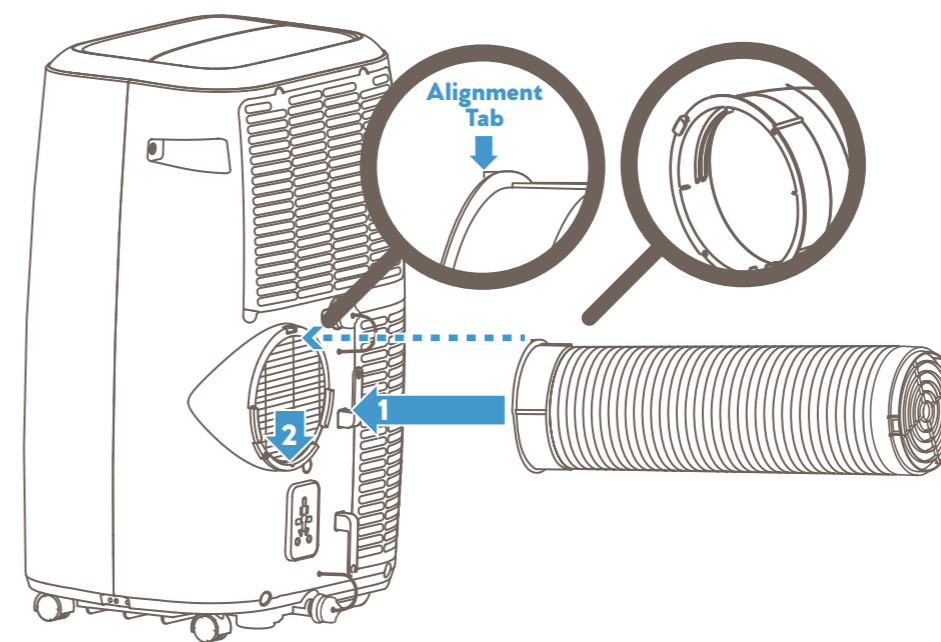
- Tools Needed**
- Medium Philips screwdriver
 - Tape measure or ruler
 - Knife or scissors
 - Saw (optional, to shorten Window Slider Adapter for narrow windows)

STEP ONE: Preparing the Vent Tube Assembly Begin with taking a small portion of the vent tube end and extend it out by grasping end with your fingers and pulling out and away.



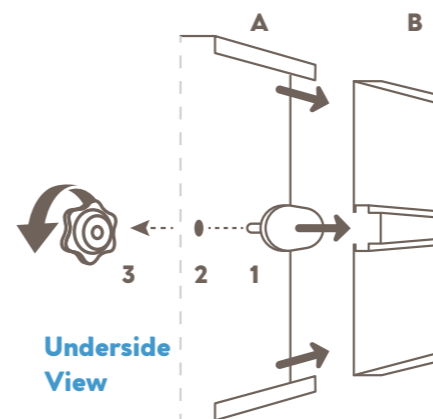
STEP TWO: Installing the Vent Hose Assembly to the Unit

Insert the Unit Adapter (the Unit Adapter Tab should remain right-side up) of the Vent Tube assembly into the lower groove of the air outlet while the tab on the adapter ring is aligned with the air outlet. Slide down the Unit Adapter. The tube will slide in and lock in place.



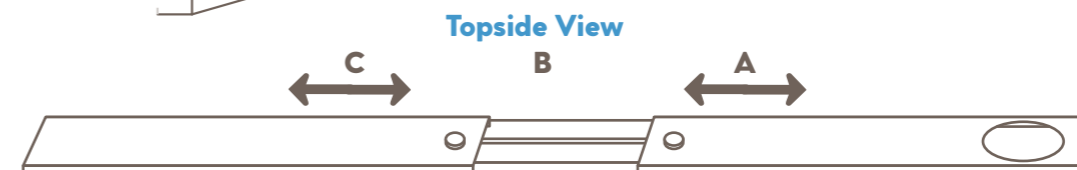
Based on the size of your window, adjust the size of the Window Slider.

If the width of the window is short use slider section "A" and cut to size, sections "A" and "B" for mid-length or all three sections "A" and "B" and "C" for extra length if needed for vertical installations.



Assembly steps:

- Start with slider section (A) and insert a T-screw mount (1) through the underside hole (2) and screw on locking knob (3) VERY LOOSELY.
- Slide the assembled section (A) around the end of section (B) with the T-screw sliding into the center channel groove.
- Repeat for section (C) if needed and adjust completed slider length to window measurement.
- Tighten locking knobs to secure panel connection.

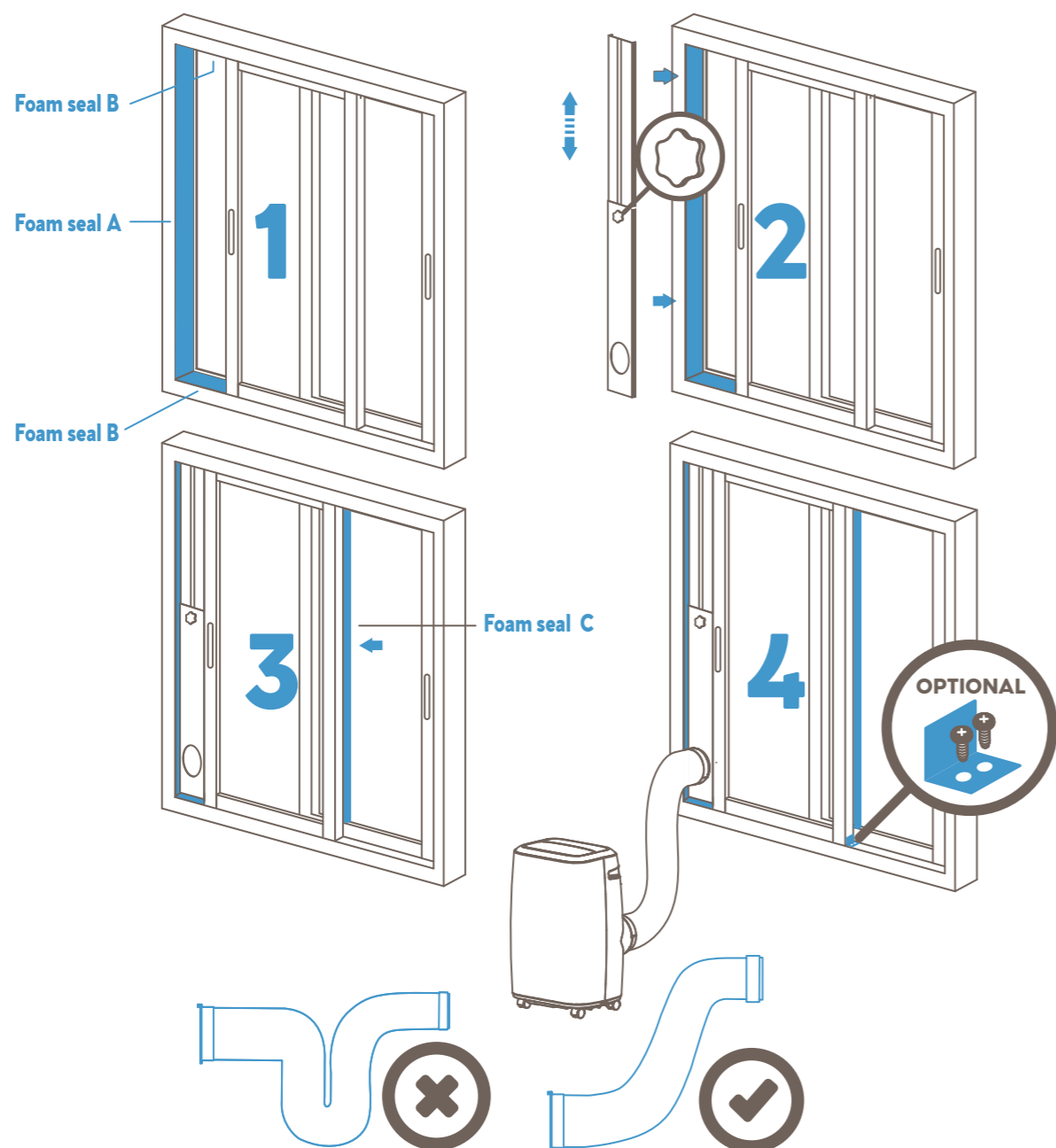


STEP THREE: Preparing the Adjustable Window Slider

window installation 1

NOTE: Once the Vent Tube assembly and Adjustable Window Slider are prepared, choose from one of the following two installation methods.

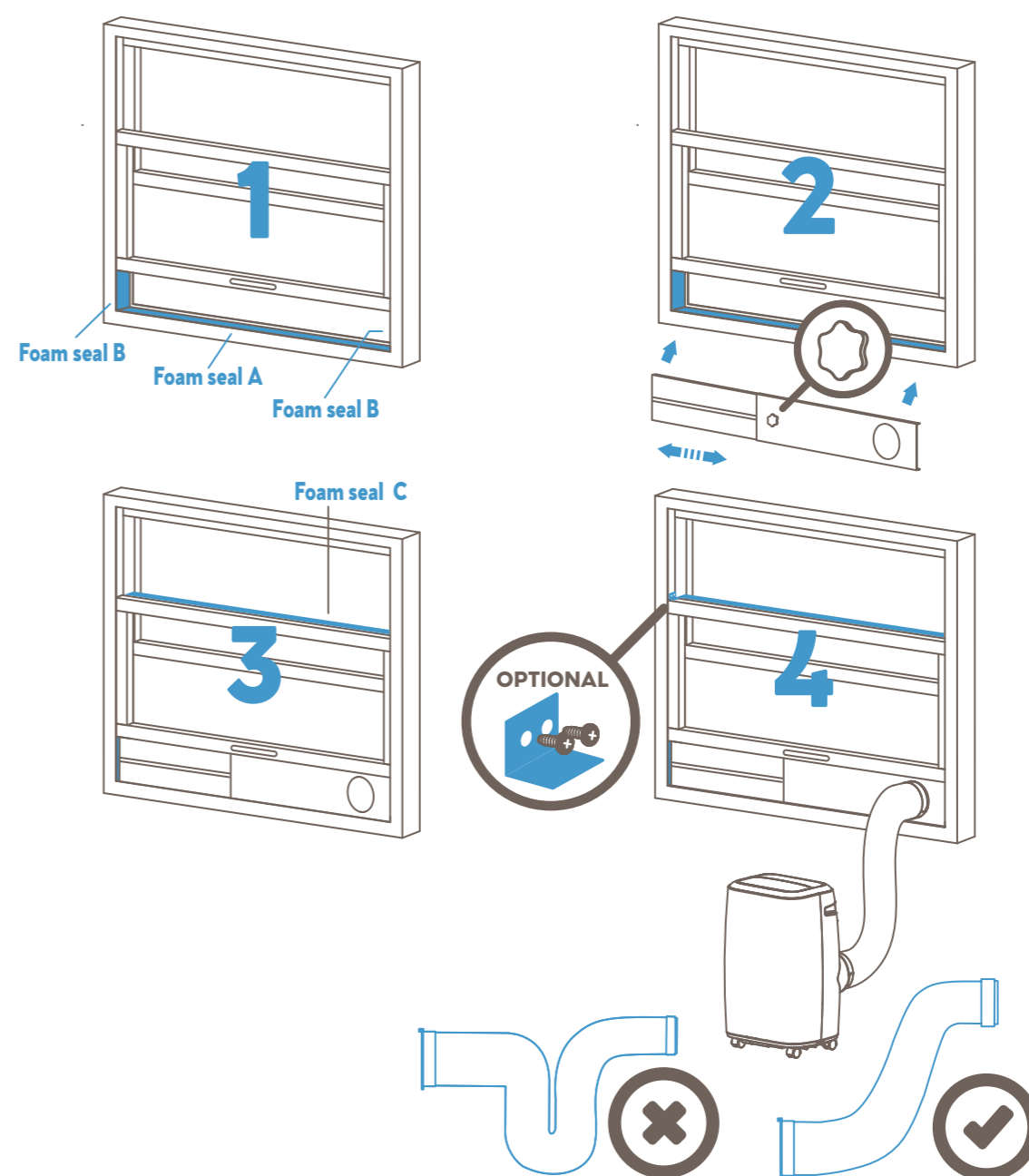
1. Cut Foam Seal A and B strips to the proper lengths and remove the adhesive backing. Attach them to the window sash and frame as shown.
2. Insert the Window Slider assembly into the window opening.
3. Cut the non-adhesive Foam Seal C strip to match the width of the window. Insert the seal between the glass and the window frame to prevent air and insects from getting into the room.
4. If desired, install the optional security bracket with 2 screws as shown.
5. Insert the tube Window Slider Adapter into the hole of the Window Slider.



Method 1: Sliding Window Installation

window installation 2

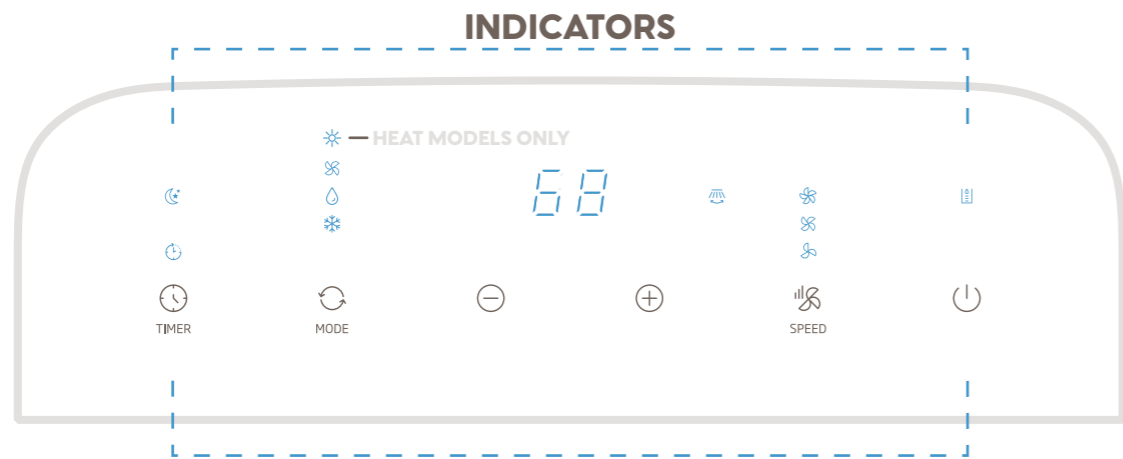
1. Cut Foam Seal A and B strips to the proper lengths and remove the adhesive backing. Attach them to the window sash and frame as shown.
2. Insert the Window Slider assembly into the window opening.
3. Cut the non-adhesive Foam Seal C strip to match the width of the window. Insert the seal between the glass and the window frame to prevent air and insects from getting into the room.
4. If desired, install the optional security bracket with 2 screws as shown.
5. Insert the tube Window Slider Adapter into the hole of the Window Slider.



Method 2: Hung Window Installation

control panel & remote functions

Buttons and Indicators



TIMER
Timer ON/OFF setting.



MODE
Select cooling, dehumidifying, fan or heat mode



DOWN
Set the temperature (or time), the temperature (or time) will drop by 1°C/1°F (or 1 hour) with each press.



UP
Set the indoor temperature (or time), the temperature (or time) will rise by 1°C/1°F (or 1 hour) with each press.



SPEED
Press to select either LOW, MEDIUM, or HIGH fan speed.



POWER
Press to turn ON/OFF the unit.



Sleep (Run from remote)
Timer setting



Heat mode (Heat models only)
Fan mode



Dehumidify mode
Cool mode



Swing (Run from remote)



High fan



Mid fan



Low fan



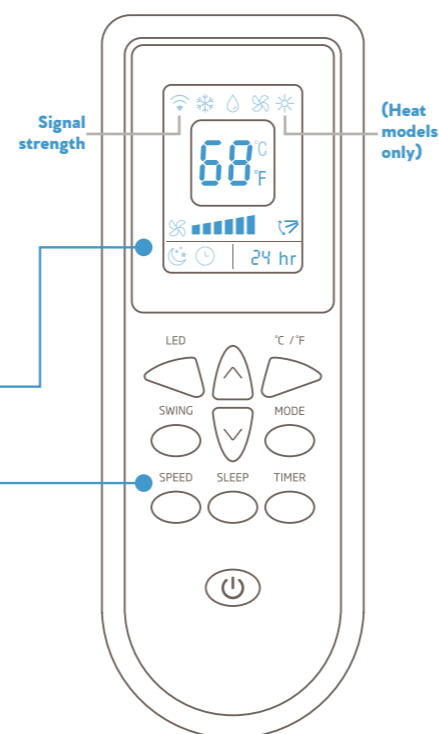
Water full

Main unit control panel indicators also apply to remote control display area.

Button functions on remote control operate in same manner as main unit control panel.

Note:

- Do not drop the remote controller.
- Do not place the remote controller in a location exposed to direct sunlight.



operation

CAUTIONS



Confirm that the vent tube has been mounted properly.

- When using functions on cooling and dehumidifying, keep an interval of at least 3 minutes between each ON/OFF.
- Be sure wall socket provides standard 110-115V AC, 60Hz use.
- Do not share one socket with other appliances.

Cooling OR Heating

- Press the "MODE" button until the "Cool" or "Heat" (for models with Heat) icon appears.
- Press the "DOWN" or "UP" button to select a desired room temperature between 61-88°F (16-31°C).
- Press the "SPEED" button to select fan speed.

Dehumidifying

- Press the "MODE" button until the "Dehumidify" icon appears.
- The unit will automatically set the selected temperature to current room temperature minus 2°C/4°F.
- The unit will automatically set the fan LOW speed.
- IMPORTANT:** Please read manual section "WATER DRAINAGE" regarding options for draining collected water from the unit.

Fan

- Press the "MODE" button until the "Fan" icon appears.
- Press the "SPEED" button to select fan speed.

Timer

- Timer ON setting:**
- When the air-conditioner is OFF, press the "TIMER" button and select a desired ON time using the "UP" and "DOWN" buttons.
 - Confirm the selected time by pressing the "TIMER" button once. (If you do not confirm, the TIMER "ON" will not go into effect.)
 - Selected ON time is displayed on the operation panel.
 - ON time can be set to 0-24 hours in 1-hour increments.

- Timer OFF setting:**
- When the air-conditioner ON, press "TIMER" button and select a desired OFF time using the "UP" and "DOWN" buttons.
 - Confirm the selected time by pressing the "TIMER" button once. (If you do not confirm, the TIMER "OFF" will not go into effect.)
 - Selected OFF Time is displayed on the operation panel.
 - OFF time can be set to 0-24 hours in 1-hour increments.

Swing (Flow Direction)

- After machine turns on, press this key ON REMOTE CONTROL and the louver will swing continuously up and down. By pressing this button again, the movement will stop, and the louver remain in that position.

Sleep

- While in cooling mode, press the SLEEP key ON REMOTE CONTROL to set the temperature. It increases 1°C/2°F after an hour and at most increases 2°C/4°F after 2 hours.

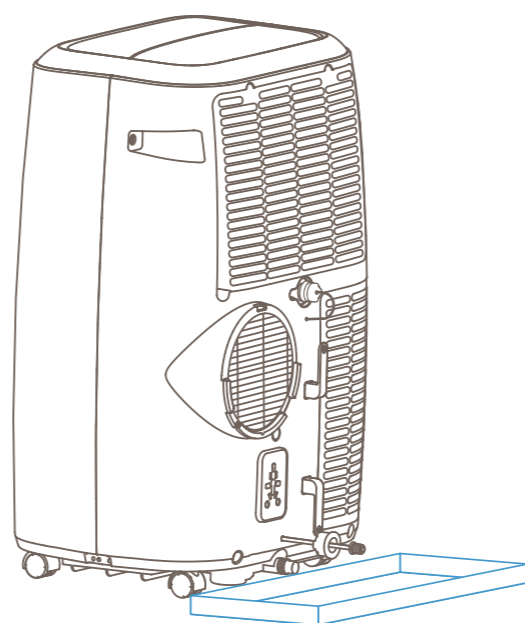
water drainage

When there is excess water condensation inside the unit during normal cooling operation, the air conditioner stops running (the fan will continue running) and the WATER FULL indicator illuminates on the top control panel. This indicates that the collected water needs to be drained using either of the following procedures:

Method 1: Manual Draining for Cooling and Dehumidifier Mode

With manual draining, both rear drain spout caps are tightly sealed during normal operation. The WATER FULL indicator will illuminate when the internal water container is filled to the level when it needs to be emptied.

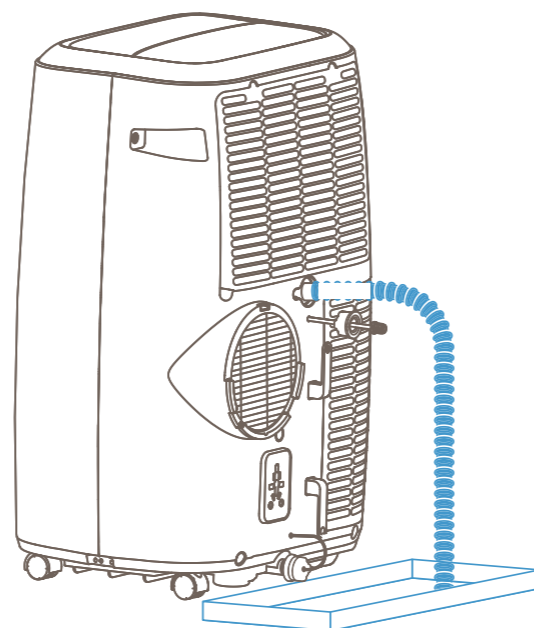
After turning the unit off, place a shallow pan under the air conditioner as shown in the diagram. Remove the lower drain spout rubber cap and the water will drain from the unit. Replace the rubber cap on to the drain spout and power the unit on. The cooling function will continue a few minutes after powering on.



Method 2: Continuous Draining for Dehumidifier Mode

This method is recommended for DEHUMIDIFIER MODE. To drain water from the unit continuously you will need to attach the provided drain hose to the air conditioner. On the back side there is a top and a bottom drain spout, each capped with a rubber stopper. After turning unit off, remove the top drain spout cap and insert the drain hose. Position the other end of the drain hose to a collector tray or towards a drain if that is available. (If you wish to utilize a drain in your home you can connect your own standard 3/4" hose cut to the desired length needed.)

Keep in mind that the drain hose should not be kinked or constrict water flow in any way. The drain hose end and the collector tray must be at a lower height than the upper drain spout connection to the hose. Be sure to use a collector container that is deep enough to hold at least a liter of water as the dehumidifying process is quite effective, and you wouldn't want to empty the tray unnecessarily often!



maintenance

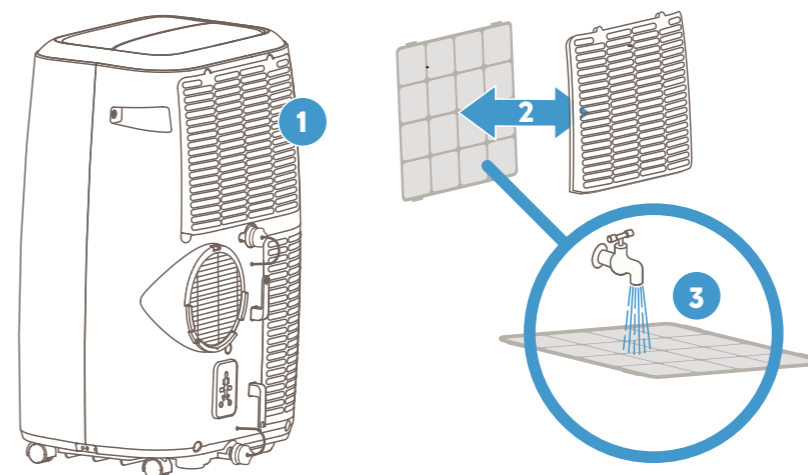


- 1) Before cleaning, be sure to disconnect the unit from any electric supply outlet;
- 2) Do not use gasoline or other chemicals to clean the unit;
- 3) Do not wash the unit directly;
- 4) If the conditioner is damaged, please contact the dealer or repair shop.

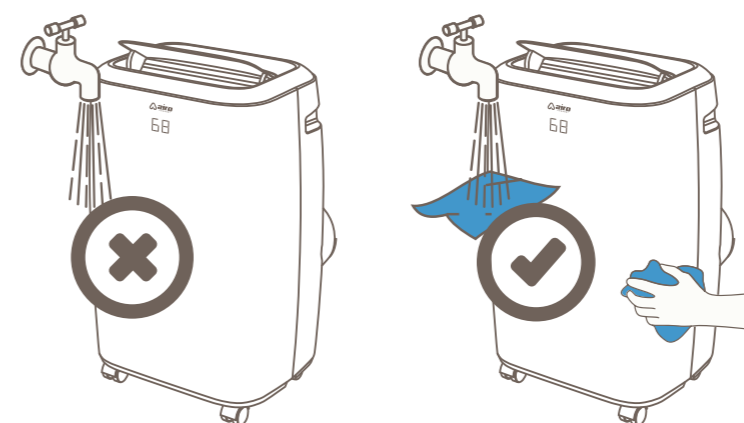
Cleaning the air filter every two weeks will keep the unit running in top condition with optimum cooling efficiency.

Before you clean: unplug the unit.

1. Open the upper air inlet grille and remove air filter.
2. Clean the air filter with mild or diluted detergent in lukewarm (40°C/104°F) water. Rinse well and allow to air dry.
3. Return air filter to original position and replace the upper grille.



Clean housing surface with a mild detergent applied to wet cloth and wipe with a soft dry cloth.



1. Completely drain unit system according to steps found in the "WATER DRAINAGE" section.
2. Complete air filter cleaning as above.
3. Run unit in FAN mode for 15-20 minutes.
4. Return drain spouts to snug position.
5. Clean housing as above and store unit.

Cleaning the Air Filter

Cleaning the Housing

Storage Maintenance

troubleshooting

PROBLEM	POSSIBLE CAUSES	SUGGESTED REMEDIES
1. Unit does not start when pressing on/off button	Water full indicator lamp blinks	Dump the water out of the water tank.
	Room temperature is lower than the setting temperature. (Cooling mode)	Reset the temperature.
2. Not cool enough	The doors or windows are not closed.	Make sure all the windows and doors are closed.
	There are heat sources inside the room.	Remove the heat sources if possible
	Vent tube is not connected or blocked.	Connect or clean the vent tube.
	Temperature setting is too high.	Reset the temperature.
	Air inlet is blocked.	Clean the air inlet.
3. Noisy	The ground is not level or not flat enough.	Place the unit on level ground if possible.
	Sound from flowing refrigerant inside conditioner.	It is normal.
4. E0 Code	Room temperature sensor failed.	Replace room temperature sensor (the unit can also work without replacement).
5. E1 Code	Condenser temperature sensor failed	Replace condenser temperature sensor.
6. E2 Code	Water tank full when cooling.	Take off rubber stopper and empty the water.
7. E3 Code	Evaporator temperature sensor failed.	Replace evaporator temperature sensor.
8. E4 Code	Water tank full when heating.	Please empty the water tank.

Specific information regarding appliances with R32 refrigerant gas.

Thoroughly read all of the warnings.

- When defrosting and cleaning the appliance, do not use any tools other than those recommended by the manufacturing company.
- The appliance must be placed in an area without any continuously sources of ignition (open flames, gas, or electrical appliances in operation, etc).
- Do not puncture and do not burn.
- This appliance contains Yg (see rating label back of unit) of R32 refrigerant gas.
- R32 is a refrigerant gas that complies with the European directives on the environment. Do not puncture any part of the refrigerant circuit.
- If the appliance is installed, operated, or stored in an unventilated area, the room must be designed to prevent to the accumulation of refrigerant leaks resulting in a risk of fire or explosion due to ignition of the refrigerant caused by electric heaters, stoves, or other sources of ignition.
- The appliance must be stored in such a way as to prevent mechanical failure.
- Individuals who operate or work on the refrigerant circuit must have the appropriate certification issued by an accredited organization that ensures competence in handling refrigerants according to a specific evaluation recognized by associations in the industry.
- Repairs must be performed based on the recommendation from the manufacturing company. Maintenance and repairs that require the assistance of other qualified personnel must be performed under the supervision of an individual specified in the use of flammable refrigerants.

warranty

There are 3 areas of coverage for your AC14MWS Air Conditioner (Covered Equipment) which are covered below:

IMPORTANT: You must register your air conditioner purchase with *airo comfort*™ within 60 days on our web site (airocomfort.com/warranty) for the limited warranties described in sections 2 and 3 to be in full compliance. Unregistered purchases may incur fees if service/repair is needed!

Defects in materials and workmanship of Covered Equipment that appear under normal use and maintenance are fully covered for 30 days (and will include return shipping). This includes physical or working operation defects if the product is in such condition upon removal from the packaging at purchase time.

Please report your concern directly to us either by calling our support number at 1-(800) 838-1198 or by emailing support@airocomfort.com to have the matter promptly resolved.

airo comfort™ warrants the Covered Equipment to be free from defects in materials and workmanship, and will repair or replace, at its option, ANY PART of Covered Equipment installed in residential (not commercial) applications which fail in normal use and service within the applicable 1-year warranty period. See above important notice on registering this product with *airo comfort*™.

Please report your concern directly to us either by calling our support number at 1-(800) 838-1198 or by emailing support@airocomfort.com to have the matter promptly resolved.

airo comfort™ warrants the Internal compressor to be free from defects in materials and workmanship, and will repair or replace, at its option, ANY PART of compressor in Covered Equipment installed in residential (not commercial) applications which fail in normal use and service within a 3-year warranty period. See above important notice on registering this product with *airo comfort*™.

Please report your concern directly to us either by calling our support number at 1-(800) 838-1198 or by emailing support@airocomfort.com to have the matter promptly resolved.

THIS WARRANTY DOES NOT COVER:

- Acts of God, such as fire, flood, hurricanes, earthquakes and tornadoes.
- Damage, accidental or otherwise, to the air conditioner while in the possession of a consumer not caused by a defect in material or workmanship;
- Damage caused by misuse, tampering, or failure to follow the care and special handling provisions in the instructions.
- Damage to the finish of the case, or other appearance parts caused by wear.
- Damage caused by repairs or alterations to the product by anyone other than authorized by the manufacturer.
- Freight and Insurance cost for the 1-year warranty service and 3-year compressor warranty.

AIRO COMFORT, INC. IS NOT LIABLE FOR INCIDENTAL OR CONSEQUENTIAL DAMAGES OF ANY NATURE. ANY IMPLIED WARRANTY OF MERCHANTABILITY OR FITNESS FOR A PARTICULAR PURPOSE ON THIS PRODUCT IS LIMITED IN DURATION TO THE DURATION OF THIS WARRANTY.

Some jurisdictions do not allow the exclusion or limitation of incidental or consequential damages or limitations on how long an applied warranty lasts, so the above limitations or exclusions may not apply to you. This warranty gives you specific legal rights, and you also may have other rights which vary from jurisdiction to jurisdiction. This warranty applies only to the original purchaser of this product from the original date of purchase.

Section 1

Initial Purchase

30-day Coverage

Section 2

1-Year Limited

Warranty

Coverage

Section 3

Compressor

3-year

Warranty

Warranty

Non-Coverage

Disclaimer of

Implied

Warranties

