

# *American Standard*

WALK-IN BATH INSTALLATION  
INSTRUCTIONS AND OWNER'S MANUAL



*American Standard*

**CONGRATULATIONS!**

You are now the owner of a walk-in bathtub from the most trusted name in plumbing.

We thank you for your purchase. Your American Standard® walk-in bath is a true investment in your health and peace of mind.

Customer Support: (866) 423-0800

**TABLE OF CONTENTS**

UNPACKING THE UNIT..... Page 3

RESPONSIBILITIES OF THE INSTALLER..... Page 4

TESTING YOUR TUB BEFORE INSTALLATION..... Page 5

INSTALLATION PREPARATION..... Page 6

ELECTRICAL INSTALLATION..... Page 7

INSTALLATION PROCEDURES..... Page 8-17

SAFETY INSTRUCTIONS ..... Page 18

OPERATING INSTRUCTIONS..... Page 19-20

CLEANING & MAINTENANCE..... Page 21

WARRANTY..... Page 22

TROUBLESHOOTING..... Page 23-25

## UNPACKING THE UNIT

1. FIRST, inspect the carton for damage: CAREFULLY DOCUMENT AND PHOTOGRAPH ALL PERCEIVED DAMAGE. Report all damage claims to customer service at 1-866-423-0800.
2. DO NOT LIFT THE TUB BY THE PLUMBING. Doing so can result in leaks, for which the installer is responsible. All Walk-In Tubs are water tested before they leave our factory and the bathtub you have purchased has passed inspection.
3. Immediately inspect the unit for damage even if there is no carton damage. All product damage must be reported within 72 hours of receipt from American Standard®. Once the unit is installed, surface damages will be assumed to be installation-related if not reported prior to installation. Installers are also responsible for damage that occurs once the unit is placed in its niche.

*NOTE: Remove all packaging material except for the protective plastic. This has been placed on the tub at the factory to eliminate abrasions from handling. This should only be removed at final clean up.*

4. Inspect the plumbing for any fittings that may have loosened in transit.
5. Read the following instructions completely before installing this product. If the home-owner or installer has any questions, please call us at 1-866-423-0800.
6. You must follow all the instructions in this manual.

*FAILURE TO READ AND COMPLY WITH ALL INSTRUCTIONS CAN RESULT IN PRODUCT DAMAGE OR INJURY TO BOTH INSTALLER AND HOMEOWNER. IT WILL ALSO RESULT IN ASSUMPTION OF ALL LIABILITY BY SAID INSTALLER.*

## **RESPONSIBILITIES OF THE INSTALLER**

The Installer must *inspect* and *water test* the product prior to installation to ensure the unit is free of defect and /or damage. In the event of a problem, the unit *must not be installed*. If the packaging or product has been damaged, please call immediately at 1-866-423-0800.

This product has been listed by INTERTEK / ETL and IAPMO / C UPC. The product has been tested and complies with the following standards and guidelines: IAPMO /C UPC, UL-1795, ANSI Z-124.1.2, ASME A 112.19.7, ASME A 112.19.15 & CSA B-45. *The installer is responsible for compliance to state and local codes.*

This product is designed to be installed by a *licensed tradesperson*. Licensed plumbers and electricians should be employed to insure proper installation. *Installer assumes all liabilities for installation procedures.*

Although American Standard® has taken reasonable precautions to ensure that the Quick Drain™ is suitable for residential plumbing; it is the *responsibility of the installer* to insure that the plumbing is acceptable for use of the Quick Drain™. *American Standard® does not accept responsibility for damage arising from use of the Quick Drain™.*

Only accessories authorized by manufacturer should be used with this product.

## **IMPORTANT SAFETY INSTRUCTIONS**

### **INSTRUCTIONS PERTAINING TO RISK OF FIRE, ELECTRICAL SHOCK OR INJURY TO PERSONS**

#### **SAVE THESE INSTRUCTIONS!**

*WARNING! ALL INSTRUCTIONS LISTED IN THIS MANUAL SHOULD BE READ AND FOLLOWED CAREFULLY. ALL PRECAUTIONS PERTAINING TO RISK OF FIRE, ELECTRIC SHOCK, OR INJURY TO PERSONS MUST BE UNDERSTOOD AND EXPLAINED TO OWNER.*

*TO REDUCE THE RISK OF INJURY, CHILDREN OR PERSONS WITH INFIRMITIES MUST NOT BE PERMITTED TO USE THIS PRODUCT WITHOUT CLOSE AND CONTINUOUS SUPERVISION.*

## TESTING YOUR WALK-IN TUB BEFORE INSTALLATION

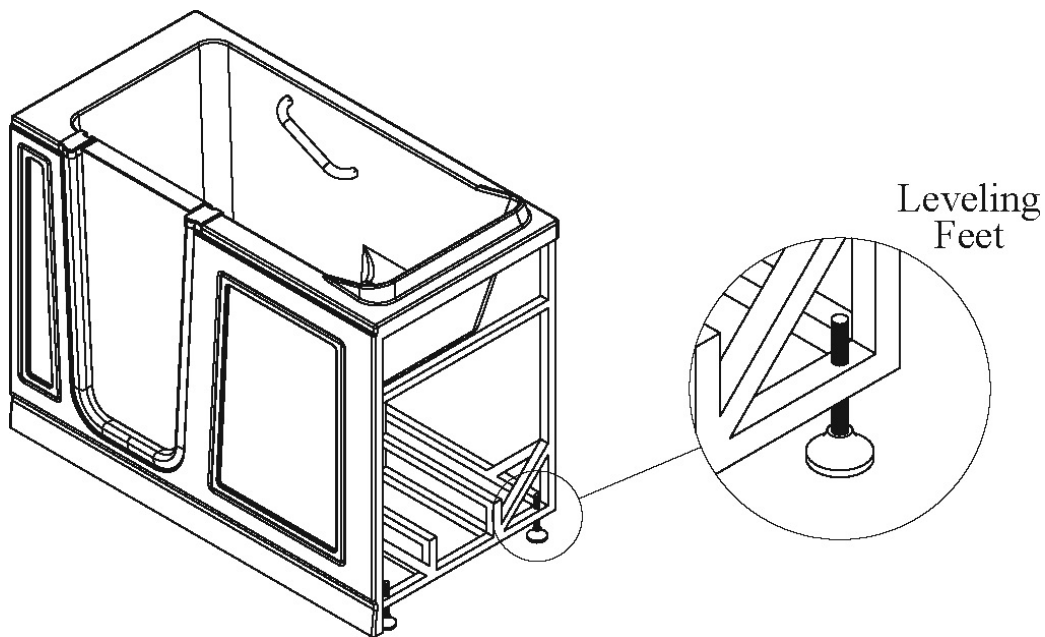
1. All American Standard® walk-in baths are 100% water tested at the factory and have passed inspection. Transportation and mishandling may loosen fittings and cause leaks. It is therefore necessary to **test the bathtub while there is access to all sides of the bath.**
2. The unit needs to be filled with water and inspected for leaks along the door as well as the whirlpool and air systems if equipped. The inspection needs to be performed with and without the whirlpool and / or air systems operating. It is best to test the unit outside by filling with a garden hose.
  - a. Place the tub on a completely flat surface in an area where it may be drained after testing.
  - b. Using a clean rag and warm water wipe down seal to insure it is free of debris.
  - c. Seal the drain hole (this can be done with tape) and fill the tub to at least three inches above the highest jet, or to the bottom of the safety bar if no jets are present.
  - d. Allow the water to stand in tub for 30 minutes and then inspect all plumbing and seals for leaks.
  - e. Using appropriately rated three-prong extension cords, all plugged in to separate outlets, operate all electrical components (air blower, water pump, and heater if applicable) for another 30 minutes and inspect for leaks again. Inspect the unions around the pump and heater.
  - f. If a leak persists at a union after tightening, it may have been over-tightened or might have a displaced O-ring. Disassemble it and make sure the O-ring was seated properly. Do the same if a leak persists at the heater. Verify that the heater threads match the pipe threads.
  - g. Ensure that all jets are open and working, some jets are adjustable for both flow rate and direction of flow. The jet water flow rate is adjusted by turning either the outside ring or the inside nozzle clockwise or counterclockwise. Some jets are not adjustable at the jet face, but can be adjust by the “Leg’s Only Massage”. The “Legs Only Massage” Valve is located near the seat. (If equipped.) .
3. If the pump/blower/lights/heater does not operate:
  - a. Check the breaker to ensure that power is on and make sure that any cables and / or air lines connecting the control boxes to the switches and pumps are firmly attached. Verify the correct electrical circuit and amps of the electrical cord.
  - b. Go to Trouble Shooting Guidelines. (See pages 23-25.)
  - c. **Do not** run any pumps unless the tub is filled with water to the proper level. Damage due to dry operation of pumps is **not** covered under the warranty period. (See pg. 22.)

**Failure to perform these tests before installation will make the installer liable for future repair costs.**

## INSTALLATION PREPARATION

1. Check the floor area where the tub is to be installed.
  - a. Clean area of any debris or trash.
  - b. Use a 5 or 6-foot level and determine if the floor is level. If the floor is not level, adjust all leveling feet to perfectly level the tub.

**Note: It is important that all leveling feet are completely touching the floor and level for the door system to work properly.**



2. Check to ensure that the drain piping has been “roughed-in” at the proper location. See specification sheets (installation detail) included in this manual.
3. Ensure that the proper electrical service has been installed at the pump location. See electrical Requirements in the manual. (See page 7.)

## ELECTRICAL INSTALLATION

All electrical wiring must be installed in accordance with the National Electrical Code and with all local codes. All wiring shall be done by a qualified electrician. Run one, two or three branch circuits (as required) from the main electrical service panel to the pump area of the framing structure to provide power to the unit.

Electrical components have specific wiring requirements. Refer to the matrix below for the electrical supply requirements for the whirlpool bathtub and factory installed components.

Branch circuits must be rated for 110 – 120 volts. Use 12 Gauge, 3 conductor cable for the circuits. If the length run exceeds 100 feet, check with local codes for requirements. Install moisture proof junction box(s) 6” above the floor at the pump end of the framing for each circuit.

**DO NOT INSTALL THE JUNCTION BOX(S) WHERE IT CAN BE REACHED WHILE SITTING OR STANDING IN THE TUB OR TOUCHING THE FAUCETS.**

### QUICK DRAIN™, LIGHTS, WHIRLPOOL, AIR SPA, COMBO & HEATER ELECTRIAL REQUIREMENTS

*This section lists the factory installed components of the Whirlpool and/or Air Spa Systems.*

*Note the required number of circuits and their rating for the Whirlpool & Air Spa unit you are planning to install.*

#### ELECTRICAL REQUIREMENTS FOR FACTORY INSTALLED COMPONENTS

Systems	Electrical Rating Circuit 1	Electrical Rating Circuit 2	Dedicated Circuit
Soaker w / Quick Drain™	15 Amp GFCI		
Soaker w / Light	15 Amp GFCI		
Soaker w / Quick Drain™ w / Light	15 Amp GFCI		
Whirlpool or Air Spa	15 Amp GFCI		
Whirlpool or Air Spa w / Light	15 Amp GFCI		
Whirlpool or Air Spa w/ Quick Drain™	15 Amp GFCI	15 Amp GFCI	
Whirlpool or Air Spa w/ Light & Quick Drain™	15 Amp GFCI	15 Amp GFCI	
Whirlpool & Air Spa (Combo)	15 Amp GFCI	15 Amp GFCI	
Whirlpool & Air Spa (Combo) w/ Light	15 Amp GFCI	15 Amp GFCI	
Whirlpool & Air Spa (Combo) w/ Quick Drain™	20 Amp GFCI	15 Amp GFCI	
Whirlpool & Air Spa (Combo) w/ Light & Quick Drain™	20 Amp GFCI	15 Amp GFCI	
<b>Whirlpool Inline Heater - Dedicated Circuit</b>			15 Amp GFCI

**All electrical connections must be carried out by a certified electrician in accordance with local electrical requirements and codes.**



---

## INSTALLATION PROCEDURES

---

- ▲ **WARNING:** When installing whirlpool massage baths, air spa baths, combo baths, or Quick Drain™ equipped baths, the following precautions **must** be followed:
  - ▲ **WARNING:** Danger: Risk of electrical shock; connect components to separate circuits, EACH protected by a ground fault circuit interrupter (GFCI)
  - ▲ **WARNING:** Installation must provide access for servicing the pump and motor (all American Standard® walk-in baths come with access panels for the pump, motor and faucet).
- 

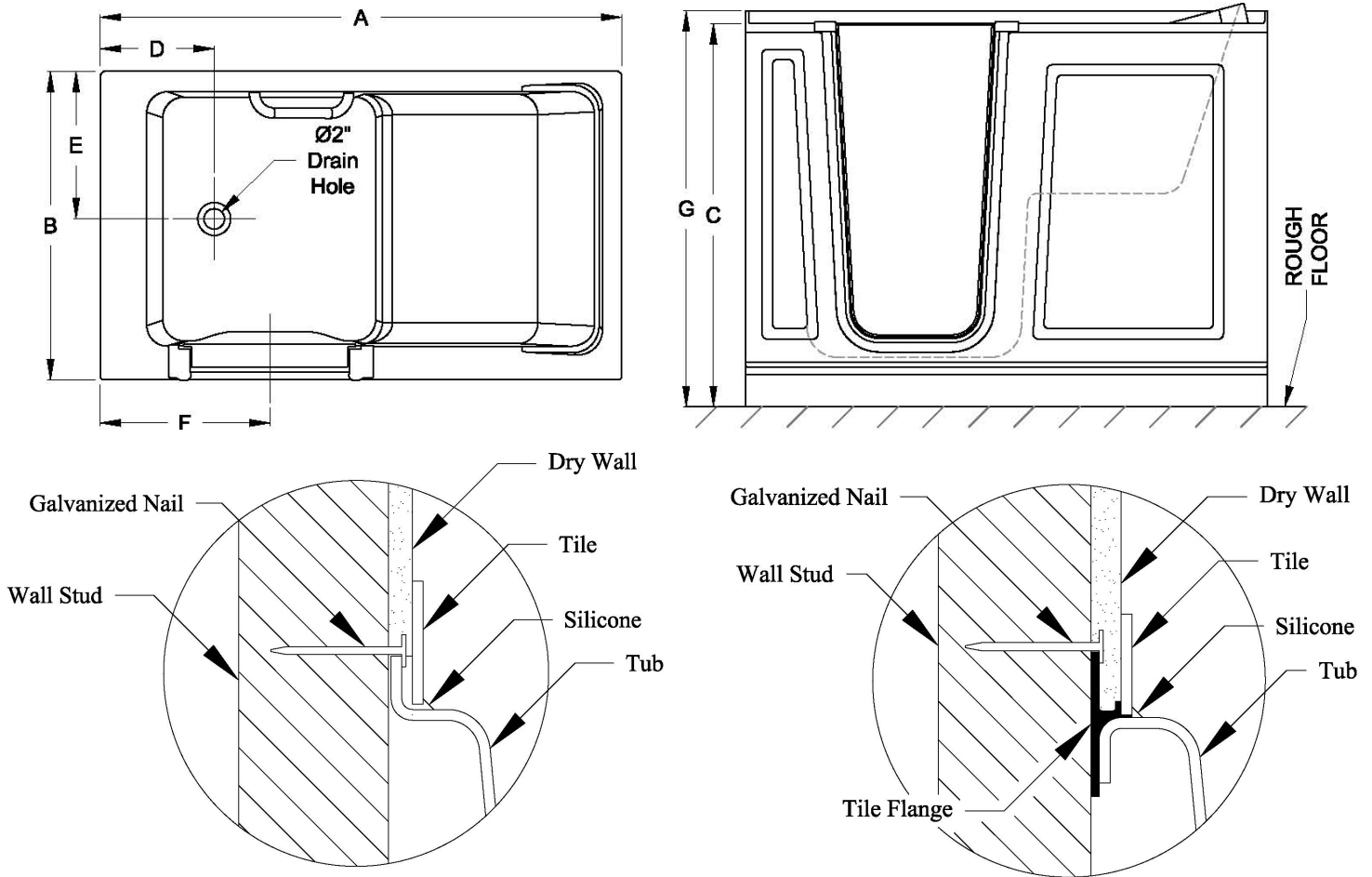
1. Install tub waste/overflow according to instructions included with the provided kits. The Gel Coat Series requires the installation of a door drain with check valve. **The check valve and tubing must be installed horizontal to the floor.** Some installations will require the purchase of additional fittings.
2. American Standard Faucet Installation # 9FHS-CH
  - Review the installation instructions packed with the faucet set.
  - Mask off the tub's deck with a protective tape.
  - Locate and mark the center line of the overflow fitting
  - Locate and mark 1 ½" line either side of the tub's center line to establish the overflow clearance.
  - Follow the drill template and faucet installation instructions.
3. Other Faucet Model and / or Brand
  - Review the installation instructions packed with the faucet set.
  - Mask off the tub's deck with a protective tape.
  - Locate and mark the center line of the overflow fitting
  - Locate and mark 1 ½" line either side of the tub's center line to establish the overflow clearance.
  - Verify the first two component mounting clearance on either side of the waste overflow as well as above and below the tub's deck.
  - Verify the remaining component mounting clearance on both sides of the overflow as well as above and below the tub's deck.
  - It is recommended the hand held shower be installed on the corner closest to the wall to prevent water from leaking off the deck and on to the floor.
4. Install the optional in-line water heater per manufacturer's instructions.
5. Standard Walk-In Bath Installation - After framing is complete, set product in place to check fit and make certain that the tub can be properly leveled. (Caution: If the bathtub is not resting on all leveling feet, water will not drain properly and this may cause the door to leak). **Secure tub frame to the studs using metal straps. (Not provided.)**
- 5a. Fire-Rated Drywall – If fire-rated drywall is specified, the finished fire-rated wall must be in place before the tub is installed. The dimensions of the framing structure must be increased by the thickness of fire-rated drywall.

## INSTALLATION PROCEDURES

**WARNING:** Never allow the weight of the tub to be supported by wood support stringers and **do not use integral tile flange (if equipped) to screw or nail in place**, as this will result in product failure and will void the warranty.

6. Verify the product is completely level by checking tub deck surface and ensure all leveling feet are touching the ground.
7. Electrical connection is made by simply plugging each cord into the GFCI outlet.
8. After plumbing and electrical connections have been made, the tub and door seal should be cleaned of dirt and debris. Use warm water and a non abrasive cleaner for clean up.
9. Installation is not complete until the bathtub has been water-tested in place and does not leak.

### Alcove Installation



### Integral Flange

### Non Integral Flange

Model	A	B	C	D	E	F	G
2651.11X	50 1/2"	26 1/4"	37 1/2"	9 1/2"	11 1/2"	15 1/2"	N/A
2848.10X	48"	28"	38"	10 3/4"	14"	16 3/4"	N/A
2848.11X	48"	28"	37 1/2"	10"	14 1/2"	16"	N/A
3051.11X	50 1/2"	30 1/2"	37 1/2"	9 1/2"	14 1/2"	15 1/2"	N/A
3052.10X	51 1/2"	29 3/4"	42"	12 1/2"	14 1/2"	17"	N/A
3151.10X	50 1/2"	31 1/4"	37 1/2"	10"	14 1/2"	15 3/4"	38"
3060.10X	59 1/2"	29 3/4"	37 1/2"	31 1/4"	14 1/2"	15 1/4"	38"
3260.21X	59 1/2"	32	37	11 1/2"	16"	20 1/2"	N/A

Tubs installed in an alcove installation require a raised flange to prevent water from seeping past the tub and into the wall. Tubs without a raised flange shall be installed with a tile flange kit such as model: 9FLNG or a similar type. The flange kit is a long plastic strip that fits onto the rim of the tub to provide the leak protection needed.

The tile flange should be installed on the tub before it is placed in the alcove. Install the tile flange along all sides of the tub where the wall will be. Measure to fit and miter cut the flange corners. The flange should be attached to the tub with a silicone adhesive.

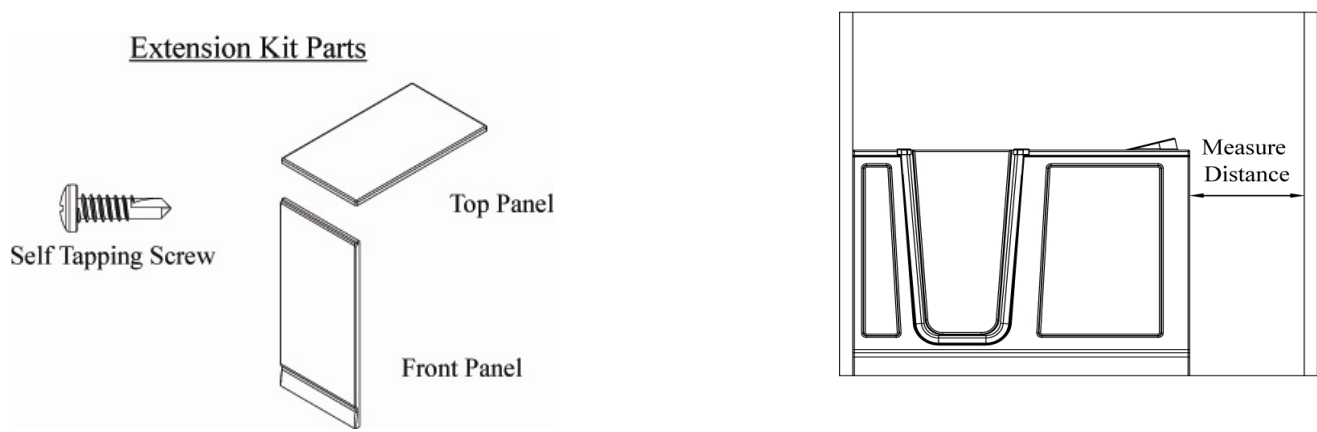
**Warning:** Never attempt to nail or screw thru the tub as this will result in product failure and will void the warranty.

## Acrylic Extension Kit Installation

The Acrylic Extension Kit is designed to accommodate all acrylic walk-in tubs to fit within a 60" alcove pocket. The top panel measures 30" x 20" (depth x width) and the front panel 37 1/2" x 20" (height x width). The panels must be trim to fit the unit within the 60" alcove.

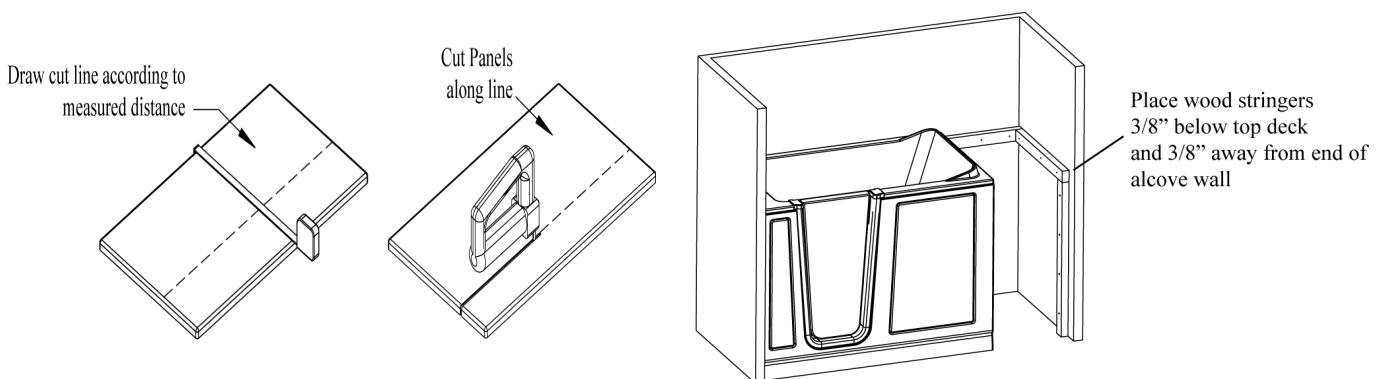
### Step 1

- Temporary locate the tub within the alcove walls.
- Level the tub along the deck and apron.
- Measure and record the distance from the tub and apron to the adjacent alcove wall.



### Steps 2, 3, & 4

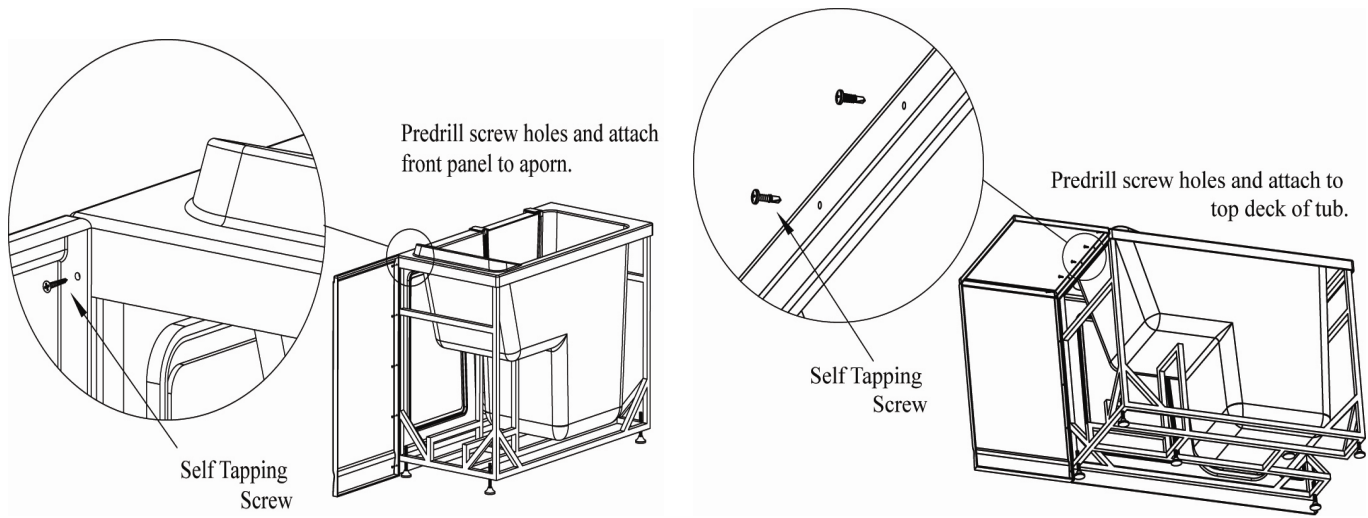
- Mask off and mark the trim lines for the top and front extension panels.
- Using a high speed carbide tooth blade, cut along the trim lines
- Mark a horizontal line that is parallel to the tub's deck along the back and adjacent wall of the alcove.
- Mark a vertical line that is parallel to tub's apron on the adjacent wall of the alcove.
- Install three wood stringers approximately 3/8" below the horizontal and vertical lines.
- Verify the fit of the front panel and then the top panel to the alcove opening.
- Shimming may be required to achieve a level fit.



## Acrylic Extension Kit Installation

### Steps 5 & 6

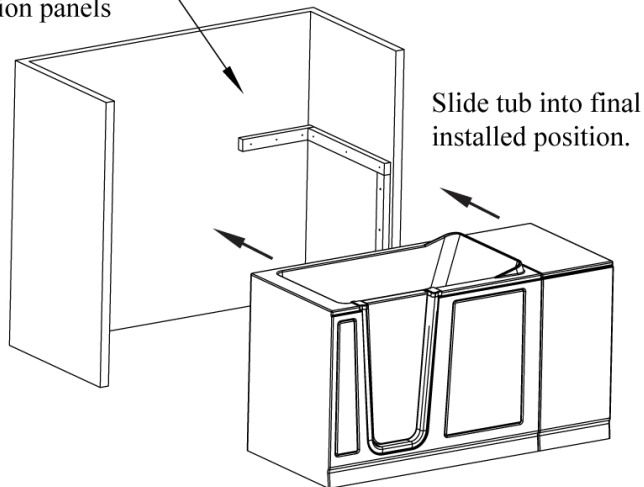
- Remove the tub from the alcove and install the front and then top panel with the self tapping fasteners.



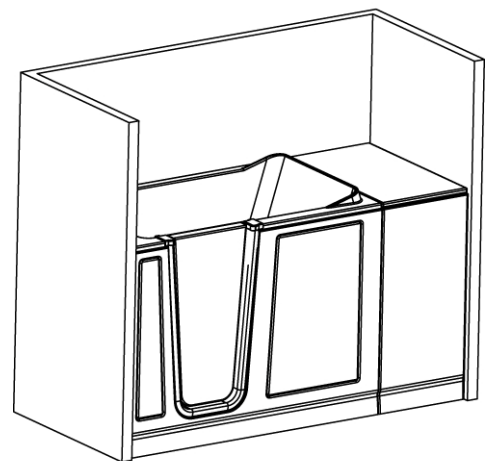
### Steps 7 & 8

- Apply the temporary clamps to help support the front and top panels while re-locating the tub back into the alcove.
- Remove temporary clamps, check level, shim if necessary, and seal in panels with silicone.

Apply silicone between wood stringers and extension panels



### Final Install



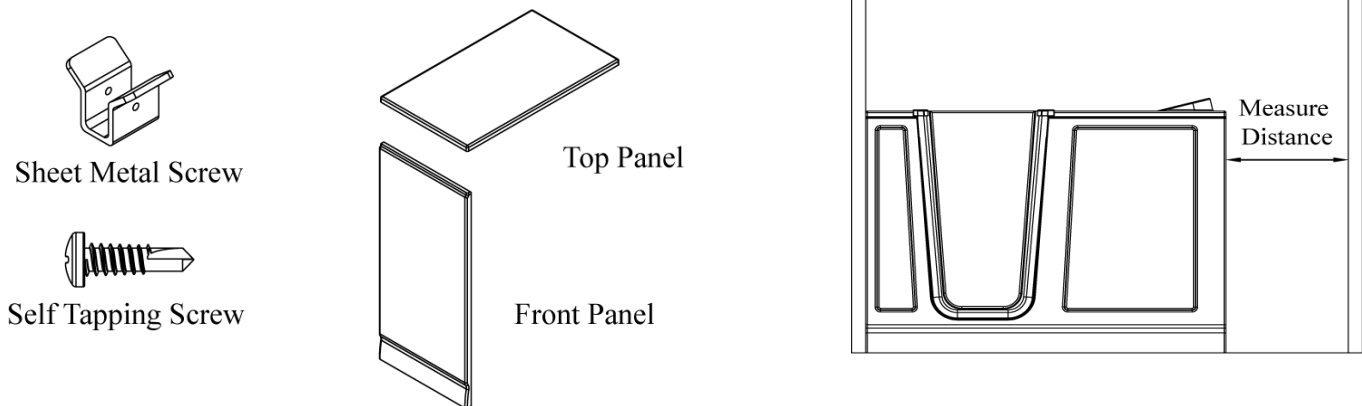
## Gelcoat Extension Kit Installation

The Gel Coat Extension Kits are designed for each unit to fit within a 60" alcove packet. The top and end panels have integral flange for easy of installation.

### Step 1

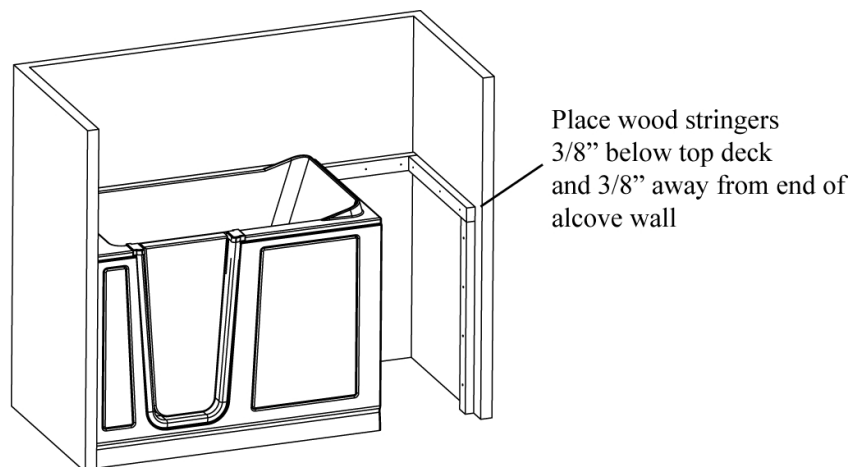
- Temporary locate the tub within the alcove walls.
- Level the tub along the deck and apron.
- Measure the distance from the tub and apron to the alcove wall.
- Verify the fit of both front and top extension panels.

#### Extension Kit Parts



### Step 2

- Mark a horizontal line that is parallel to the tub's deck along the back and adjacent wall of the alcove.
- Mark a vertical line that is parallel to tub's apron on the adjacent wall of the alcove.
- Install three wood stringers approximately 3/8" below the horizontal and vertical lines.

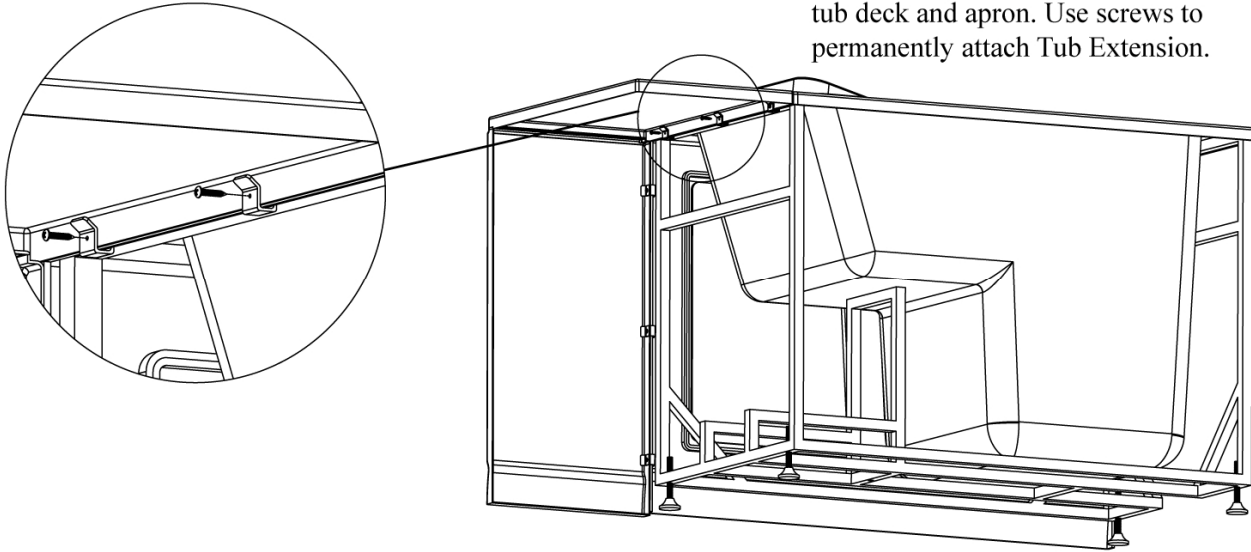


## Gelcoat Extension Kit Installation

### Step 3

- Remove the tub from the alcove.
- Install the front and then the top panel with the tub brackets.

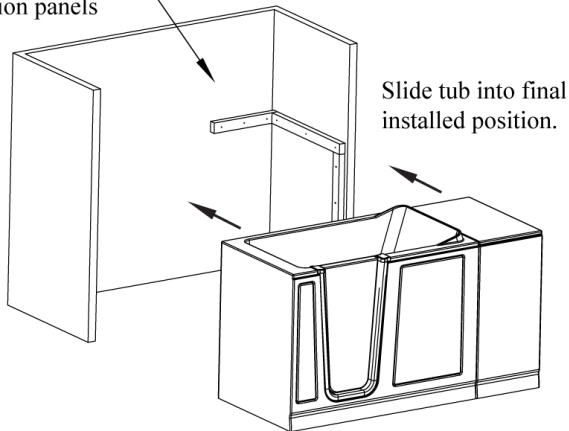
Use brackets to secure Tub Extension to tub deck and apron. Use screws to permanently attach Tub Extension.



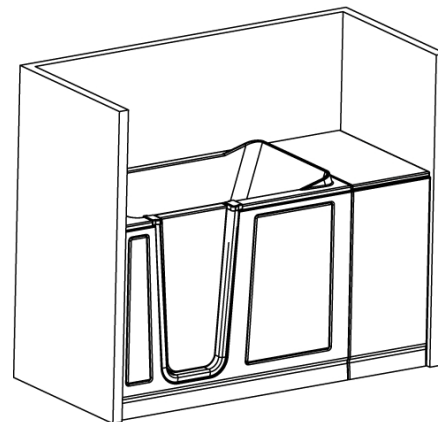
### Step 4

- Apply the temporary clamps to help support the panels while re-locating the tub back into the alcove.
- Remove temporary clamps, check level, shim if necessary, and seal in panels with silicone.

Apply silicone between wood stringers and extension panels



### Final Install



## Drain Overflow Installation

### Drain / Overflow Information

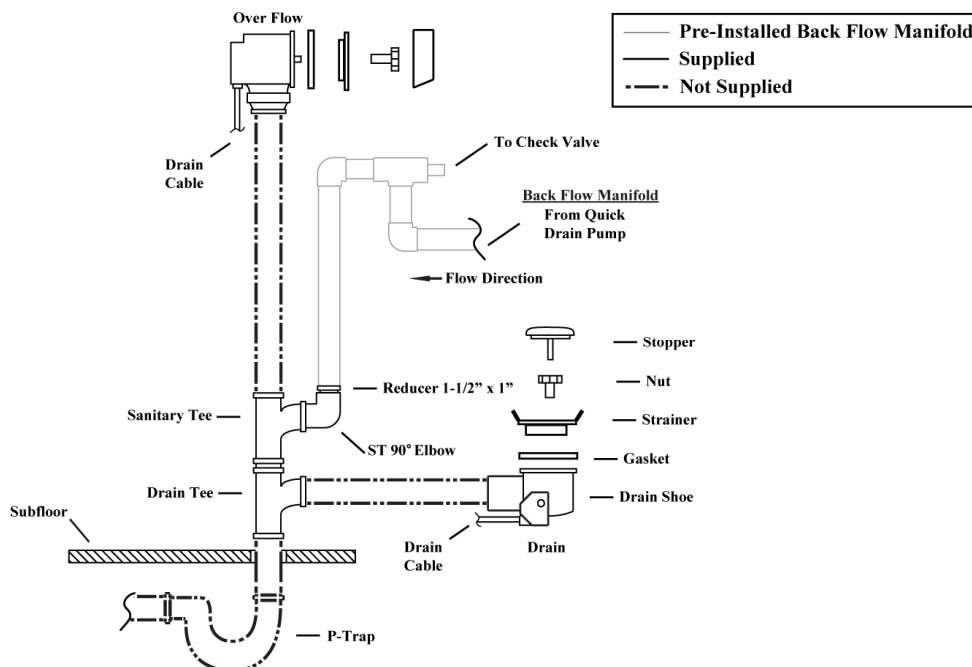
A drain / overflow assembly is provided with the tub must be installed on the bath, water tested and connected to the sanitary system of the house. Some drain / overflow kits are packed with the waste flange, strainer, overflow cover, and fasteners, packed separately within the kit to protect the trim finish. Follow the installation instructions provided with the drain / overflow kit. After the drain is fully installed, test the unit for proper drainage. If the unit does not drain properly, rectify the condition before proceeding with installation. American Standard is not responsible for the removal or re-installation costs.

*Note: All gel coat models require additional installation of the door drain to the waste overflow.*

### Connection of the Quick Drain

- Quick Drain System requires the connection to a minimum 1 1/2" sanitary drain line.
- Use UPC Approved PVC Glue, Primer, and Schedule 40 1 1/2" pipe.
- Do not change or modify the location and or piping of the Back Flow Manifold
- The sanitary tee is installed directly above the drain tee with clearance not greater than 1".
- Dry fit the drain overflow assembly to the sanitary drainage pipe and check for proper fit.
- Glue the Quick Drain Fittings, pipe and drain overflow assembly to the sanitary drainage pipe.

**NOTE: Water tight installation of the waste / overflow is the installer's responsibility. Drain leakage is excluded from Safety Tubs warranty of this product.**



We have taken reasonable precautions to ensure the Quick Drain is suitable for residential plumbing. It is the responsibility of the installer to insure the sanitary system is acceptable for the use of the Quick Drain. We do not accept responsibility for damage arising from the use of the Quick Drain.



## Threshold Drain Installation

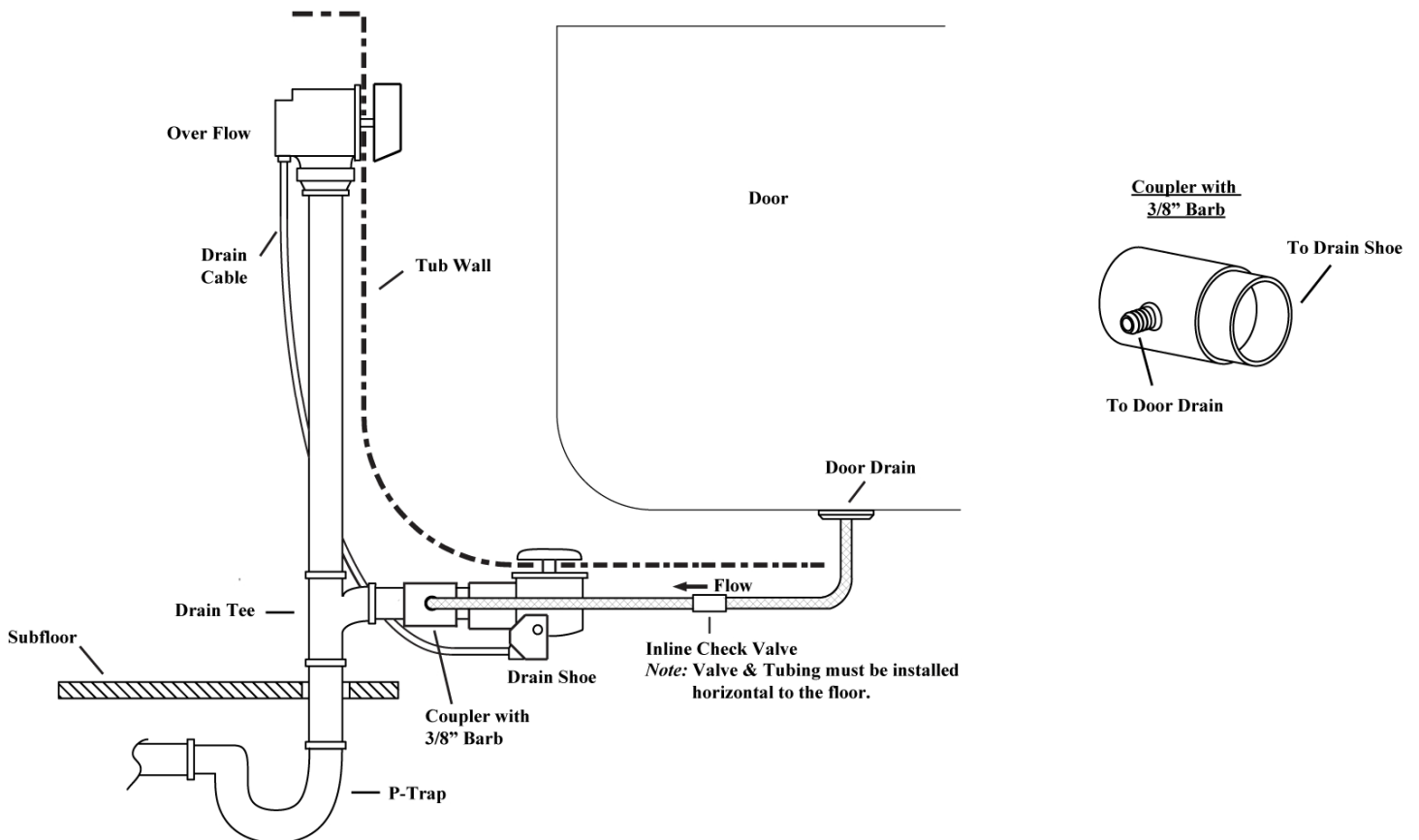
### Threshold Drain Information

All gel coat walk-in bathtubs are provided with a threshold door drain. All acrylic walk-in bathtubs feature the “Patented T5 Door System” which does not require the threshold drain.

### Connection of the Door Drain

- Door Drain requires the connection to a minimum 1 ½” sanitary drain line.
- Use UPC Approved PVC Glue, Primer, and Schedule 40 1 ½” pipe.
- The door drain, check valve, and 3/8” vinyl tubing are installed on the walk-in bathtub
- The door drain coupling has an integral 3/8” barb for connection of the door drain line.
- The drain coupling must be located between the drain tee and shoe along the tub’s drain line.
- The 3/8” barb on the drain coupling must be positioned parallel to the sub floor.
- Connect the door drain assembly and drain coupling with 3/8” vinyl tubing.
- Verify the coupling barb, check valve, and 3/8” tubing are horizontal to the floor.
- Glue all components and tubing in place use PVC Glue.

### Door Drain Assembly



## Inline Heater Installation

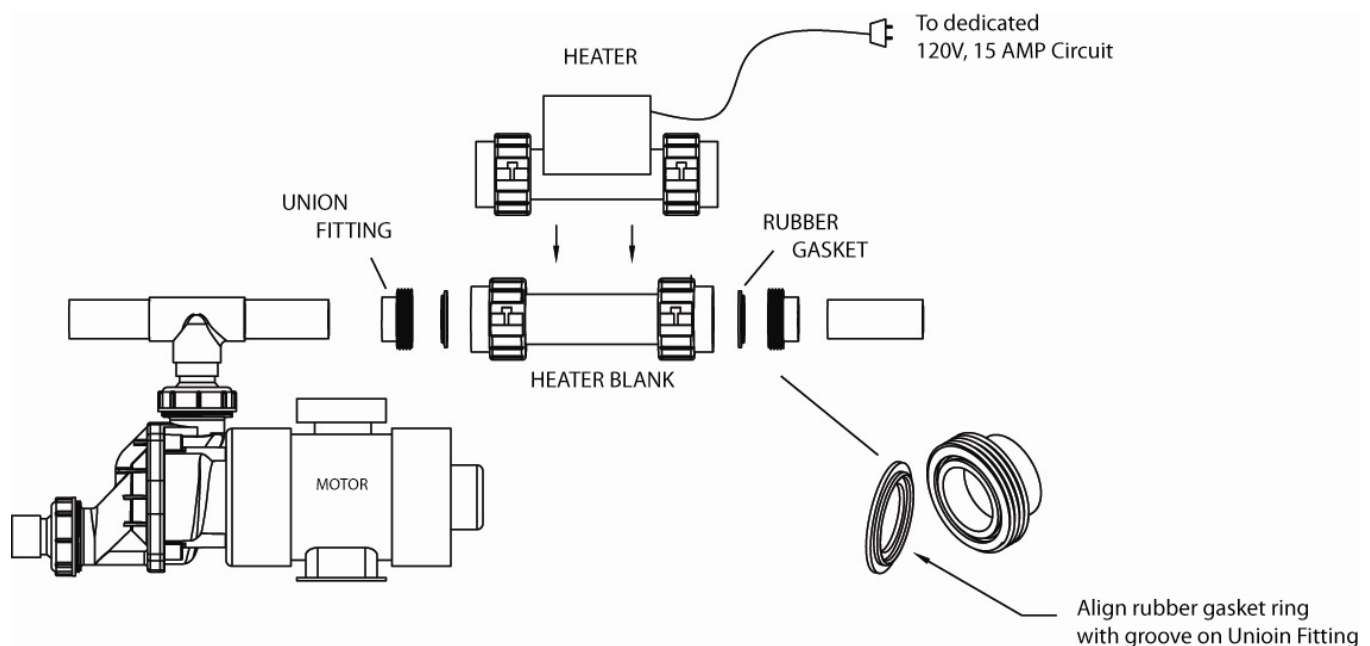
### Whirlpool In-Line Heater

All whirlpool systems are designed with an In-Line Heater Blank. The threads and union set on the heater blank and heaters are specifically designed for our system. All other heaters and heater blanks will not interchange with our system.

The heaters are equipped with a preset pressure switch which will not allow the heater to turn on if the pump is not running with water flowing through the whirlpool system. The heater includes an exclusive High Limit Switch. This safety circuit will not false trip from the hot tap water. It will turn off the heater if the thermostat fails. If your whirlpool is equipped with adjustable jets, or other flow control systems, the pre-set pressure switch may not activate the heater. To assure proper heater operation, all jets may need to fully open with the pump operating at or near maximum flow.

### Installation of the In-Line Heater

- Verify there is a **dedicated 120 volt, 15 Amp Circuit with a GFCI outlet available.**
- Located the Ready Heater Fitting on the walk-in bathtub.
- Loosen the union nuts and remove the Heater Ready Fitting.
- Verify the heater and union fitting threads are the same.
- Placed the ribbed side of the gasket to the union fitting.
- Insert the heater and slowly hand tighten the union nuts to a snug fit to insure proper alignment.
- Once the heater alignment is verified, give a ¼ turn to each union nut to insure a good seal.
- Fill the tub with water and check for water leaks with and without the whirlpool pump running.



## IMPORTANT SAFETY INSTRUCTIONS

### INSTRUCTIONS PERTAINING TO RISK OF FIRE, ELECTRICAL SHOCK OR INJURY TO PERSONS

WHEN USING THIS UNIT, BASIC PRECAUTIONS SHOULD ALWAYS BE FOLLOWED.

- ▲ **WARNING: Risk of personal injury.** Use this unit for its intended use as described in this manual. **DO NOT** use attachments not recommended by the manufacturer.
- ▲ **WARNING: Risk of personal injury.** To avoid injury, exercise caution when entering or exiting your walk-in bath.
- ▲ **WARNING: Risk of personal injury.** To reduce the risk of injury, do not permit children or persons with infirmities to use this product unless they are closely supervised at all times.
- ▲ **WARNING: Risk of hyperthermia and possible drowning.** People using medications, herbal remedies, sleep aids, and /or having adverse medical history should consult a physician before using this product.
- ▲ **WARNING: Risk of personal injury.** Water temperatures over a 100 F (38 C) may be hazardous to your health. Check and adjust water temperature for your personal comfort.
- ▲ **WARNING: No food or Alcoholic Beverages.** Use of your bathtub immediately after meals is not recommended. Avoid alcohol consumption before or during the bathing. Alcoholic beverages can cause drowsiness or hyperthermia resulting in loss of consciousness or even drowning.
- ▲ **WARNING: Pregnancy.** If you are or think you may be pregnant, consult your doctor before using the bathtub.
- ▲ **WARNING: Risk of personal injury.** Risk of electric shock; do not permit electric appliances (such as a hair dryer, lamp, telephone, radio or television) within four feet of this bathtub.
- ▲ **WARNING: Risk of personal injury.** Never drop or insert any objects into any openings.
- ▲ **WARNING: Risk of personal injury.** Do not operate this unit without the guard over the suction fittings.

The unit must be connected only to a supply circuit that is protected by a ground-fault circuit-interrupter (GFCI). Such a GFCI should be provided by the installer and should be tested on a routine basis. To test the GFCI, push the test button. The GFCI should interrupt power. Push the reset button. Power should be restored. If the GFCI fails to operate in this manner, there may be a ground current flowing, indicating the possibility of an electric shock. **Do not use** this massage bathtub. Disconnect the whirlpool bathtub and have the problem corrected by a qualified service representative before using.

To reduce the risk of electrical shock, the dedicated electrical supply circuit(s) must be grounded. To do this, connect the third leg of the 3-conductor wiring cable to the grounding terminal of the electrical service panel and run continuously to the green grounding screw on the GFCI or electrical receptacle in the wiring compartment.

## **SAVE THESE INSTRUCTIONS!** **OPERATING INSTRUCTIONS**

1. Enter your American Standard® walk-in bath, close the door, place handle in down position, and fill the bath to at least 2 inches above the highest jet before activating the whirlpool pump (if equipped). **Do not apply excessive pressure when placing the handle in the close position.** Do not put weight on the door when entering and exiting the tub. It is recommended to leave the door in the open position when the tub is not in use.
2. If your American Standard® walk-in bath is equipped with Whirlpool Jets, Air Spa, or Combo system, the pump or blower is operated by the push button switch labeled “Jets” or “Air”. Both the number of buttons and their assorted functions vary. Do not depress the button(s) repeatedly and/or rapidly as all function(s) are controlled electronically. It may take a few seconds before any change becomes perceptible. Refer to massage instructions sheet for more information on the controls.
3. If your American Standard ® walk-in bath is equipped with whirlpool jets, you can adjust the direction and flow rate of the jets to your liking by moving the nozzle for direction and turning the outside ring or the nozzle clockwise or counterclockwise for the flow rate. Some jets are not adjustable at the jet face, but can be adjusted by the “Legs Only Massage” valve located near the seat. (If equipped.)
4. The Legs Only Massage (whirlpool & combo systems only) opens and closes the jets above the seat which allows you to fill the tub half-way and operate only the lower whirlpool jets. The Legs Only Massage valve must be closed when filling the tub half-way and operating the whirlpool. Failure to close the valve, when filling the tub half-way will result in water shooting out of the jets above the seat when the pump is activated. (If equipped.)
5. If your American Standard® walk-in bath is equipped with an Air Spa system, you can activate the heated blower by pushing the push button on the deck. Push the button to turn on / off and cycle for the various speeds.
6. If your American Standard® walk-in bath is equipped with an in-line heater, the heating element will come on automatically, but only when the whirlpool system is turned on. This heater is designed to extend the comfortable bathing time, but does not reheat the bath water.
7. If your American Standard® walk-in bath is equipped with the Automatic Tub Clean System - Ozone, the system will turn on automatically when the whirlpool system is turned on.
8. If your American Standard® walk-in bath is equipped with the Quick Drain™, this system has its own dedicated pump, suction and switch to activate the drain. Simply open the traditional drain system (turn the overflow) and then press the Quick Drain™ on/off switch to activate the drain. When the water falls below the suction guard, press the control switch to turn the drain system off.

## **SAVE THESE INSTRUCTIONS!** **OPERATING INSTRUCTIONS**

9. If your American Standard® walk-in bath is equipped with Chromatherapy lights, the lights have a dedicated control button. Pressing the control button off and back on will change the color of light.
10. If any factory-installed fittings have been removed, do not operate the unit. A safety hazard may have been created by this modification. Seek the help of a qualified professional.
11. **DO NOT** use bubble bath or Epsom salts when any pumps are operating. Bath oils may be used; however, their use will require more frequent purging and cleaning of the whirlpool and/or air spa systems.
12. Both whirlpool and air spa systems are designed so that water will drain from the plumbing after each use.
13. There are no user-serviceable parts located under the tub.

### **PURGE CYCLE**

All air blowers are equipped with a purge cycle to remove residual water from the lines. The purge cycle will begin approximately 20 minutes after the unit is initially turned off and will continue for several minutes. Do not be alarmed when the cycle begins.

### **IN-LINE HEATERS**

If your bathtub is equipped with an optional in-line heater it will operate only when the pump is on. Note: the in-line heater is designed to keep your water warmer longer but is not designed to increase the water temperature. Heat settings are not adjustable.

## CLEANING AND MAINTENANCE

Pump and pipe circulation systems should be flushed before first use and on a monthly basis when product is under normal use. Below are the recommended procedures for cleaning:

- **Do not run whirlpool dry.** Fill the tub with hot water 2-3 inches above the jets and add 2-3 teaspoons of low foaming detergent such as dishwashing machine detergent.
- Turn on whirlpool system and run for 10 minutes.
- Drain tub completely.
- Fill tub with cold water above jets.
- Turn on whirlpool system and run for 15 minutes.
- Drain tub completely.
- Cleaning the “suction cover”: Clean and remove any hair or lint from the suction cover. On a monthly basis, unscrew the suction cover and clean away any hair, lint or debris from the cover and housing, then remount the cover in place. Suction covers with visible screws from inside the tub can be removed. Some suction covers are intended not to be removed and have no visible fasteners. This style of suction cover does not need to be removed for cleaning. **Never operate the unit with the safety suction cover off.**

**Do not use abrasive cleaners** as they will scratch and dull the surface. Use a mild liquid household detergent cleaner such as Clorox Soft Scrub®.

Plaster can be removed using a wooden stick. **DO NOT USE METAL SCRAPERS, WIRE BRUSHES, WATER BARRIER WALLBOARD OR OTHER HARSH ABRASIVE TOOLS.**

Usually a mild detergent will remove construction debris. More stubborn debris may be removed with denatured alcohol, or Clorox Soft Scrub® cleaner.

Light scratches and dulled areas may be restored to original luster by rubbing with an automotive type cleaning compound such as DuPont White Polishing Compound®.

## LIMITED WARRANTY COVERAGE

American Standard® Walk-In Baths are warranted in accordance with the following warranty:

This warranty is extended to the first purchaser and does not extend to products previously used as display models or products that have been modified or repaired by anyone else but American Standard® unless approved by American Standard®. American Standard premium acrylic walk-in baths come with a fifteen (15) year warranty on the bathtub, ten (10) year warranty on the tub components and a **Lifetime Warranty** on the door seal. American Standard walk-in baths constructed of hi-gloss gelcoat construction come with a ten (10) year warranty on the bathtub, five (5) year warranty on the tub components and a **Lifetime Warranty** on the door seal.

## WARRANTY LIMITATIONS

In the event of a defect in the material or workmanship of a product, defective products will be repaired or replaced. The manufacturer shall not be liable for the expense of removing defective products or installing replacement products or the expense of adjoining components such as tile, marble, wall panels, ceilings etc. No liability shall exist for incidental or consequential damages caused in whole or part by any defect in this product. No warranty, expressed or implied, including any warranty of merchantability or fitness for a particular purpose, shall apply after the warranty period described above. This warranty does not cover defects or damage caused by the common carrier or installer from, without limitation, any of the following: careless handling, lifting bathtubs by the piping, modification of the product for any reason, improper installation (including installation not in accordance with instructions provided with the unit), and acts of God.

## RETURN POLICY

American Standard® is committed to providing premium customer service. In the event that a product must be returned due to reasons other than defects, as mentioned in the warranty, the following procedures apply:

Requests for returns and/or exchanges must be made within **30 days** of receipt of product. The product must be in its original packaging and received at American Standard in saleable condition. All returns will receive a **15% restocking fee** plus all freight costs of the original shipment and return shipment to American Standard.

All requests for return must first be approved by American Standard and have an assigned Returned Merchandise Authorization (RMA#).

## **TROUBLE SHOOTING GUIDELINES**

**WHEN SERVICING THIS UNIT, BASIC PRECAUTIONS SHOULD ALWAYS BE FOLLOWED.**

- ▲ To reduce the risk of injury, keep all components in a vented enclosure and out of the reach of children.
- ▲ Risk of Electrical Shock – Connect only to a grounding type receptacle protected by a ground fault circuit interrupter (GFCI).
- ▲ Verify all components are installed to dedicated circuit(s) with the recommended electrical rating .
- ▲ All the components are manufactured with 36” pigtail cord and designed to be plugged directly into a ground fault circuit interrupter (GFCI).
- ▲ **DO NOT CUT OR SPLICE INTO THE COMPONENT(S) 3 FOOT PIGTAIL CORD(S).**
- ▲ All components are designed for indoor use on a whirlpool tub.

### **Quick Drain Pump**

#### **Motor Will Not Start – Check For:**

- Quick Drain Control Button should be illuminated. If not , verify the following
  - a. The pump is plugged into the control box.
  - b. The control box is plugged into the outlet.
  - c. The control button is plugged into the control box.
- Improper or loose connections, open switches or relays, blown circuit breakers.
- Manually check rotation of motor shaft for free movement and obstruction.

#### **Motors Cuts Out – Check For:**

- Wiring, loose connections etc.
- Low Voltage at motor. (Frequently caused by undersized wiring.)
- Binding or overload. (Amperage Reading.)

#### **Motor Hums, But Will Not Prime. –Check For:**

- Make sure all suction, discharge lines and valves are open and un-obstructed.
- Check for correct water level.
- Block off suction and determine if pumps develops a vacuum. If pump develops a vacuum check discharge line for obstruction or a leak in the suction line.
- If the pump does not develop a vacuum and the pump has the correct water level, check for proper voltage and / or check the pump wet end for clogging or debris



## TROUBLE SHOOTING GUIDELINES

### Whirlpool Pump

#### **Motor Will Not Start – Check For:**

- Check the air line between the motor and air button for connection and depress to test air signal.
- Improper or loose connections, open switches or relays, blown circuit breakers.
- Manually check rotation of motor shaft for free movement and obstruction.

#### **Motor Cuts Out – Check For:**

- Wiring, loose connections etc.
- Low Voltage at motor. (Frequently caused by undersized wiring.)
- Binding or overload. (Amperage Reading.)

#### **Motor Hums, But Will Not Prime. –Check For:**

- Make sure all suction, discharge lines and valves are open and un-obstructed.
- Check for correct water level.
- Block off suction and determine if pumps develops a vacuum. If pump develops a vacuum check discharge line for obstruction or a leak in the suction line.
- If the pump does not develop a vacuum and the pump has the correct water level, check for proper voltage and / or check the pump wet end for clogging or debris.

### Air Massage

#### **Motor Will Not Start – Check For:**

- Check the air line between the motor and air button for connection and depress to test air signal.
- Improper or loose connections, open switches or relays, blown circuit breakers.
- Manually check rotation of motor shaft for free movement and obstruction.

#### **Motor Cuts Out – Check For:**

- Verify if the air supply line from the blower to the manifold is connected and not obstructed.
- Wiring, loose connections etc.
- Low Voltage at motor. (Frequently caused by undersized wiring.)

### Chromatherapy Lights

#### **Lights Will Not Operate – Check For:**

- Check the air line between the control box and air button for connection and depress to test air signal.
- Wiring and /or loose connections etc
- Improper or loose connections, open switches or relays, blown circuit breakers.

## TROUBLE SHOOTING GUIDELINES

### Heaters

All heaters are equipped with a preset pressure switch which will not allow the heater to turn on if the pump is not running with water flowing through the whirlpool system. The heater includes an exclusive High Limit Switch. This safety circuit will not false trip from hot tap water. It will turn off the heater if the thermostat fails. If your whirlpool is equipped with adjustable jets, or other flow control systems, the pre set pressure may not activate the heater. To assure proper heater operation, all jets may need to be fully open with the pump operating at or near maximum flow.

#### **Heater Will Not Operate – Check For:**

- Improper or loose connections, open switches or relays, blown circuit breakers.
- Wiring, loose connections etc.
- Overload. (Amperage Reading.)

### O-Zone Generators

All O-Zone Generators are equipped with a preset vacuum switch which will not turn on if the pump is not running with water flowing through the whirlpool system. The O-Zone Generator includes an exclusive High Limit Switch and will not false trip from tap water. If your whirlpool is equipped with adjustable jets, or other flow control systems, the pre set vacuum may not activate the generator. To assure proper operation, all jets may need to be fully open with the pump operating at or near maximum flow.

#### **O-Zone Generator Will Not Operate – Check For:**

- Improper or loose connections, open switches or relays, blown circuit breakers.

Form # 0610

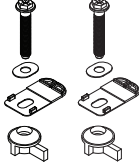
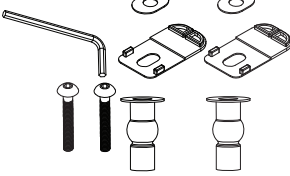
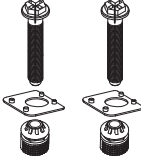
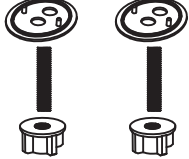
# INSTALLATION INSTRUCTIONS

## TOILET SEAT



Thank you for selecting American Standard – the benchmark of fine quality for over 100 years. To ensure this product is installed properly, please read these instructions carefully before you begin. (Certain installations may require professional help.) Also be sure your installation conforms to local codes.

**NOTE: Pictures may not exactly depict toilet seat and components.**

<b>IF YOU HAVE...</b>	<b>Bottom Mount</b> 	<b>Top Mount</b> 	<b>Bottom Mount with Zip Nuts</b> 	<b>Bottom Mount w/ Posts for Metal Hinges</b> 
	<b>See Installation 1 on page 1</b>	<b>See Installation 2 on page 2</b>	<b>See Installation 3 on page 3</b>	<b>See Installation 4 on page 4</b>

### Care and Cleaning

When cleaning your toilet seat wash it with a mild, soapy water: rinse the seat thoroughly with clear water and dry with a soft cloth.

Avoid detergents, disinfectants, or cleaning products in aerosol cans. Never use abrasive scouring powders on your seat. Some bathroom chemicals and cosmetics may damage the seat's finish. After installation, check the tightness of the bolts from time to time to ensure a tight fit.

### AS AMERICA, INC. ONE YEAR LIMITED WARRANTY

If inspection of this AS America, Inc. ("American Standard") plumbing product, within one year after its initial purchase, confirms that it is defective in materials or workmanship, American Standard will repair or, at its option, exchange the product for a similar model.

This limited warranty applies only to the original purchaser and installation of these products. In the event of a limited warranty claim, proof of purchase will be required—save sales receipt.

This limited warranty does not apply to local building code compliance. Since local building codes vary considerably, the purchaser of this product should check with a local building or plumbing contractor to insure local code compliance before installation.

This limited warranty is void if the product has been moved from its initial place of installation; if it has been subjected to faulty maintenance, abuse, misuse, accident or other damages; if it was not installed in accordance with American Standard's instructions; or if it has been modified in a manner inconsistent with the product as shipped by American Standard.

American Standard's option to repair or exchange the product under this limited warranty does not cover any labor or other costs of removal or installation. IN NO EVENT WILL AMERICAN STANDARD BE LIABLE FOR THE COST OF REPAIR OR REPLACEMENT OF ANY INSTALLATION MATERIALS, INCLUDING BUT NOT LIMITED TO, TILES, MARBLE, ETC. American Standard will not be responsible for any other incidental or consequential damages attributable to a product defect or to the repair or exchange of a defective product, all of which are expressly excluded from this limited warranty. This limited warranty does not cover any liability for consequential or incidental damages, all of which are hereby expressly disclaimed, or the extension beyond the duration of this limited warranty of any implied limited warranties, including those of merchantability or fitness for an intended purpose. (Some states or provinces do not allow the exclusion or limitation of implied limited warranties, so this exclusion may not apply to you.)

This limited warranty gives you specific legal rights. You may have other statutory rights that vary from state to state or from province to province, in which case this limited warranty does not affect such statutory rights.

**In the United States:**  
 American Standard Brands  
 P.O. Box 6820  
 Piscataway, New Jersey 08855  
 Attention: Director of Customer Care

**In Canada:**  
 AS Canada, ULC  
 5900 Avebury Rd.  
 Mississauga, Ontario  
 Canada L5R 3M3

**In Mexico:**  
 American Standard B&K Mexico  
 S. de R.L. de C.V.  
 Via Morelos #330  
 Col. Santa Clara  
 Ecatepec 55540 Edo. Mexico

For residents of the United States, warranty information may also be obtained by calling the following toll free number: (800) 442-1902  
[www.americanstandard.com](http://www.americanstandard.com)

Toll Free: (800) 387-0369  
[www.americanstandard.ca](http://www.americanstandard.ca)

Toll Free: 01-800-839-1200  
[www.americanstandard.com.mx](http://www.americanstandard.com.mx)

SAVE FOR FUTURE USE



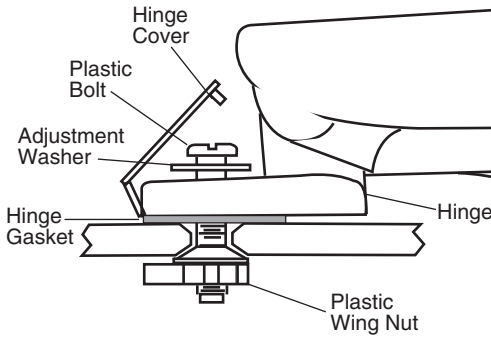
7302106-100B

All product names listed herein are trademarks of AS America, Inc. unless otherwise noted.  
 © AS America, Inc. 2015

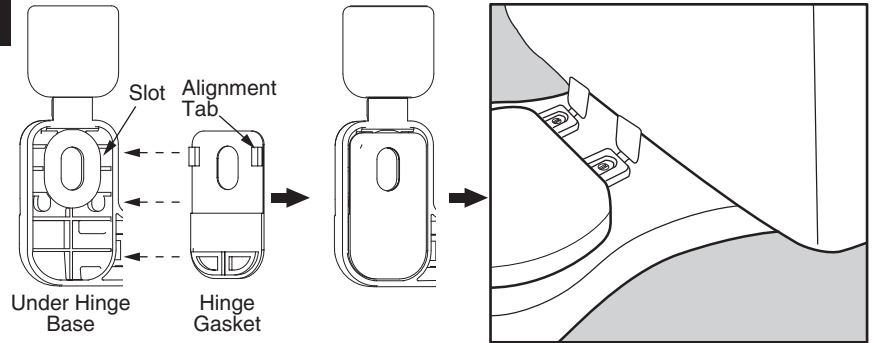
7302106-100 Rev. D 7/15

# INSTALLATION #1 - BOTTOM MOUNT WITH PLASTIC WINGNUT

Side view of the toilet seat installation parts.



**1**



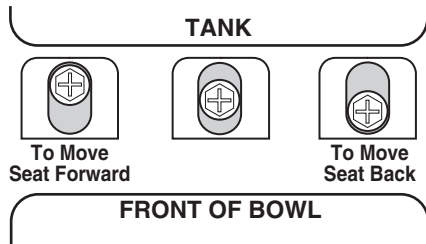
Attach Hinge Gaskets to bottom of Hinge Base. Make sure Alignment Tabs on Hinge Gaskets match the slots under the Hinge Base.

Align hinges over holes on toilet bowl.

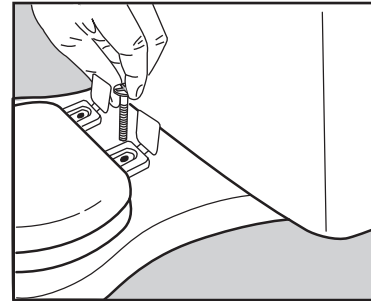
**2**

The installation kit includes two sets of stainless washers: 2 with center holes and 2 with offset holes.

The offset washers hole can be set forward or back allowing the seat to be moved back from or to the forward edge of the bowl rim.

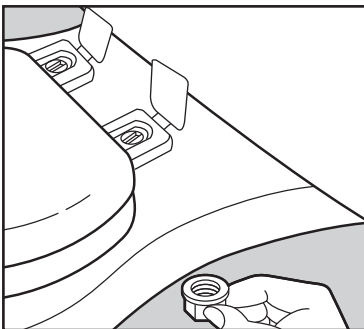


**3**



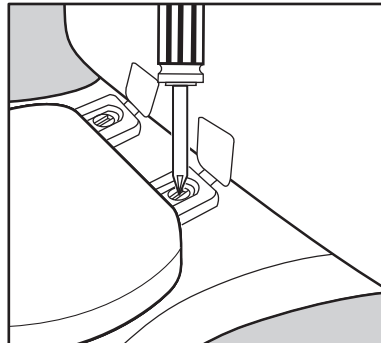
When the seat is properly aligned with the front edge of the bowl slip the bolt through the washer and the bowl bolt holes.

**4**



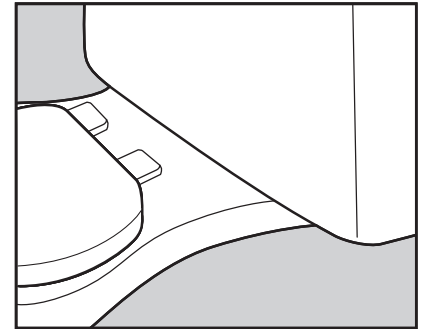
With the plastic bolts installed, thread the winged plastic nuts on to the bolts.

**5**



Tighten the bolts using a screwdriver.

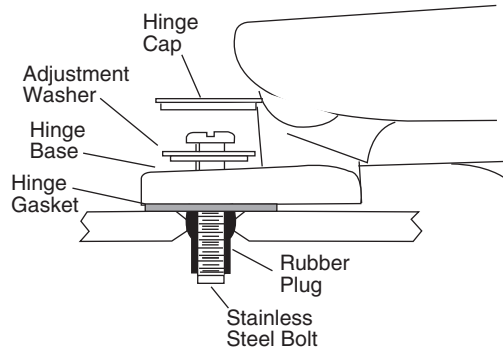
**6**



The hinge cap covers are designed to snap lock on to the hinge. Position the hinge covers and push down on the cover.

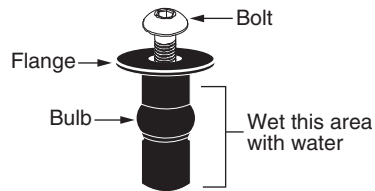
# INSTALLATION #2 - TOP MOUNT WITH RUBBER PLUG

Side view of the toilet seat installation parts.



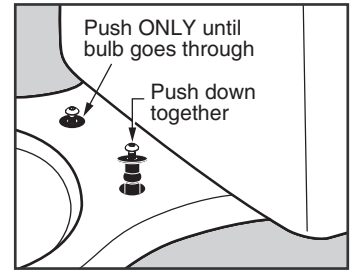
**1**

## PLUG



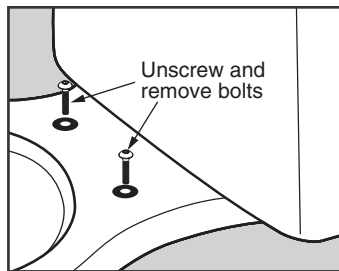
For ease of installation of black rubber plugs, insert steel bolt (capture a few threads) and wet the lower area with some water (soapy water works best).

**2**



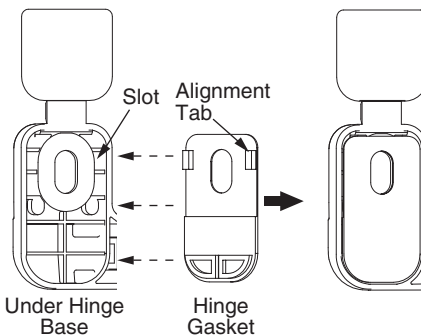
**NOTE: FLANGE MUST REMAIN ABOVE THE SURFACE. DO NOT ALLOW PLUG TO FALL THROUGH!**

**3**

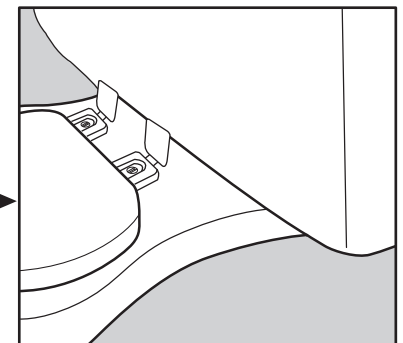


Once plug is in place, unscrew and remove bolts and keep nearby for step 6.

**4**

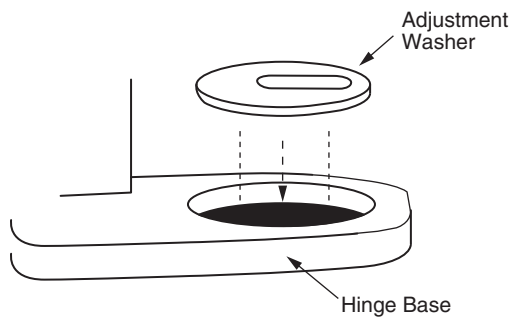


Attach Hinge Gaskets to bottom of Hinge Base. Make sure Alignment Tabs on Hinge Gaskets match the slots under the Hinge Base.



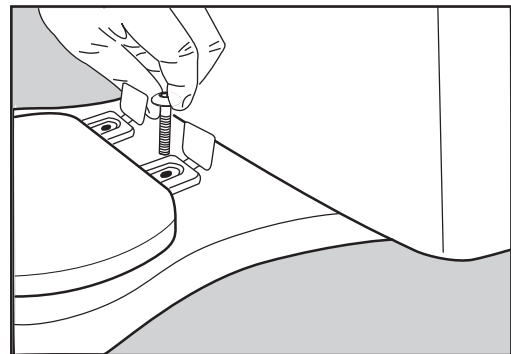
Align hinges over holes on toilet bowl.

**5**



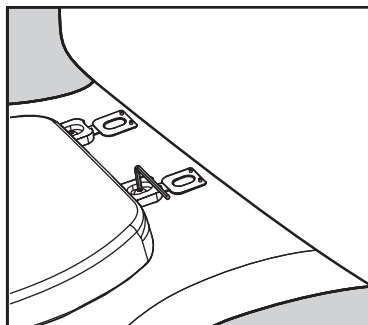
Insert the plastic adjustment washers with flat surface facing up.

**6**



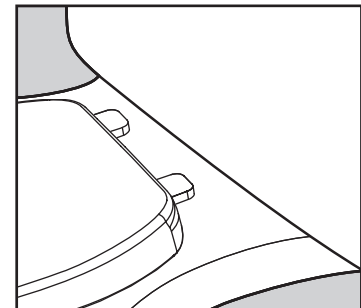
When the seat is properly aligned with the front edge of the bowl, slip the bolt through the washer and the bowl bolt holes.

**7**



Once properly positioned, tighten the bolts with your wrench.

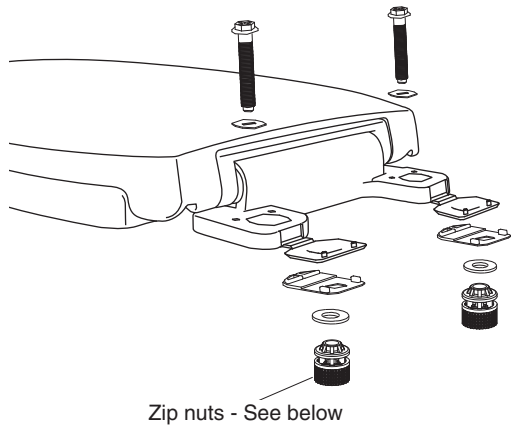
**8**



The hinge cap covers are designed to snap lock on to the hinge. Position the hinge covers and push down on the cover.

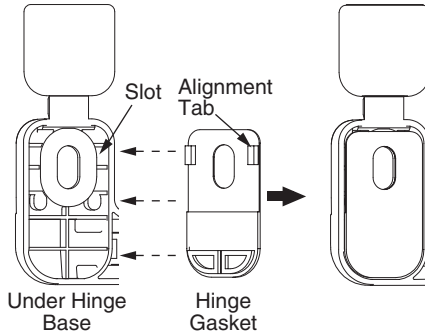
# INSTALLATION #3 - BOTTOM MOUNT WITH ZIP NUTS

Side view of the toilet seat installation parts.

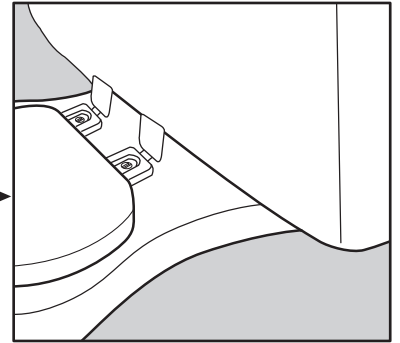


Zip nuts - See below

**1**



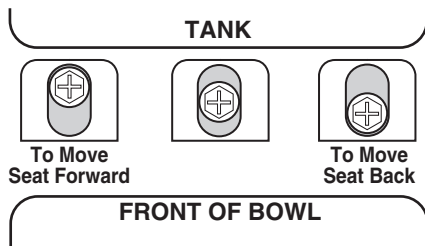
Attach hinge gaskets to bottom of hinge base. Make sure alignment tabs on hinge gaskets match the slots under the hinge base.



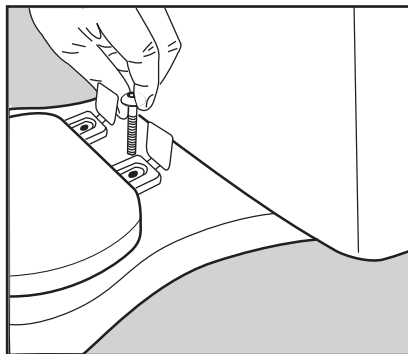
Align hinges over holes on toilet bowl.

**2**

The installation kit includes two sets of stainless washers: 2 with center holes and 2 with offset holes. The offset washers hole can be set forward or back allowing the seat to be moved back from or to the forward edge of the bowl rim.

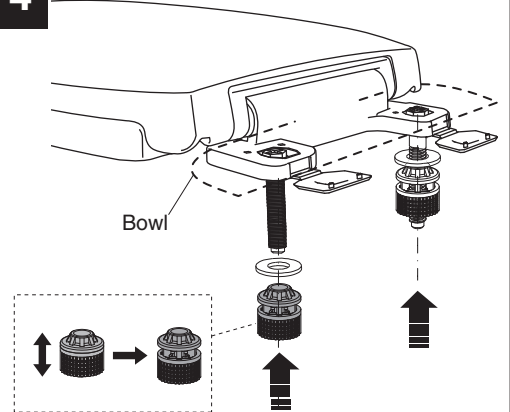


**3**



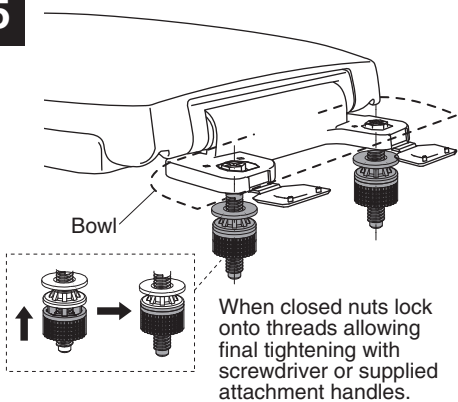
When the seat is properly aligned with the front edge of the bowl, slip the bolt through the washer and the bowl bolt holes.

**4**



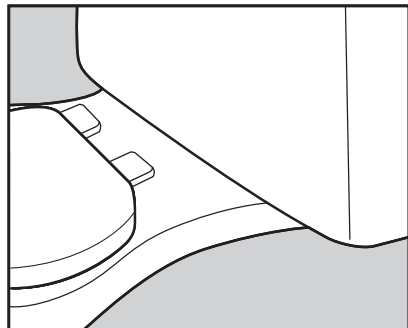
When opened, nuts can slip over threads for rapid installation.

**5**



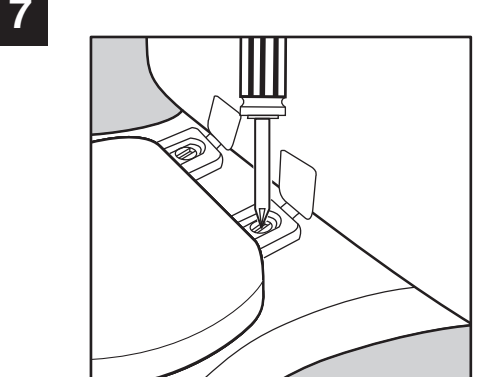
When closed nuts lock onto threads allowing final tightening with screwdriver or supplied attachment handles.

**6**



The hinge cap covers are designed to snap lock on to the hinge. Position the hinge covers and push down on the cover.

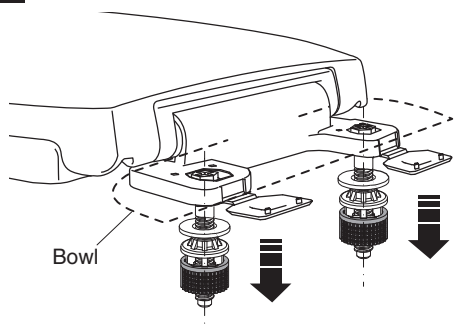
**7**



Tighten the bolts using a screwdriver.

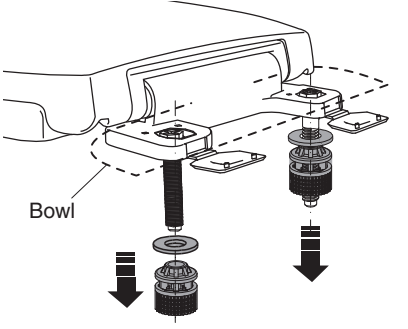
**8**

**REMOVAL**



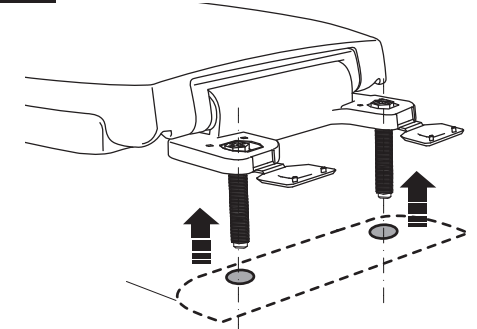
**9**

**REMOVAL**



**10**

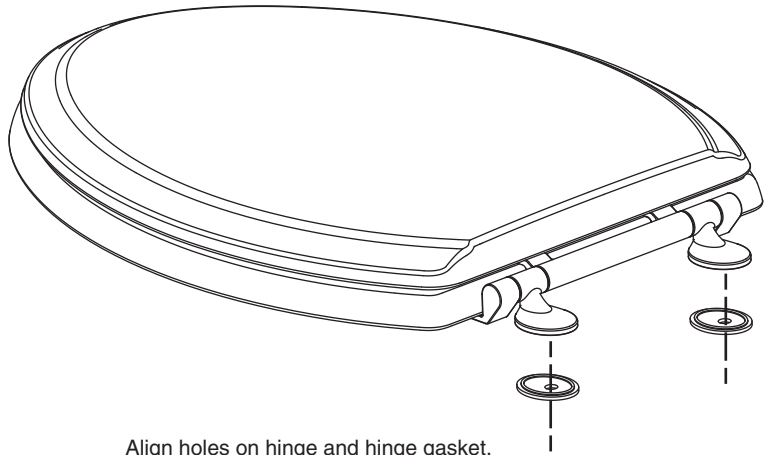
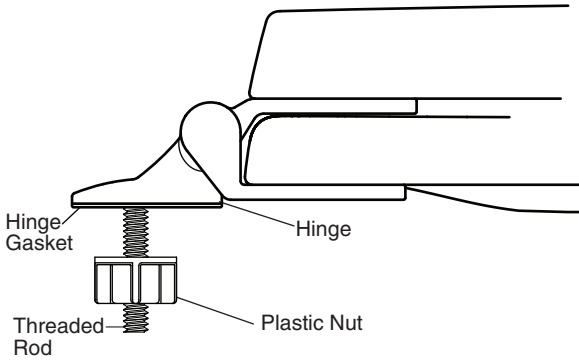
**REMOVAL**



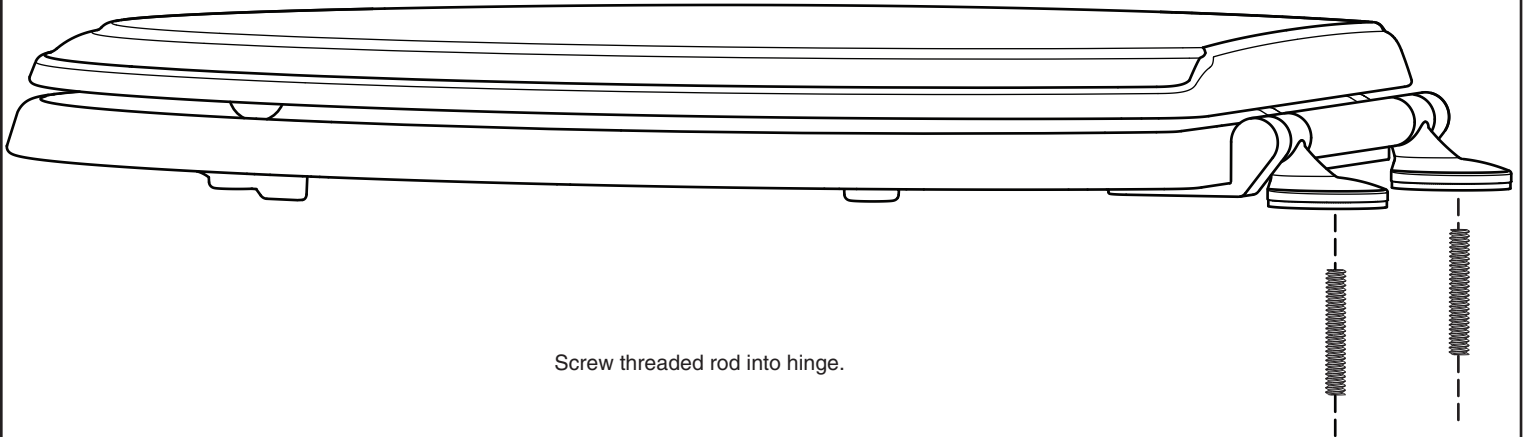
# INSTALLATION #4 - BOTTOM MOUNT WITH POSTS FOR METAL HINGES

Side view of the toilet seat installation parts.

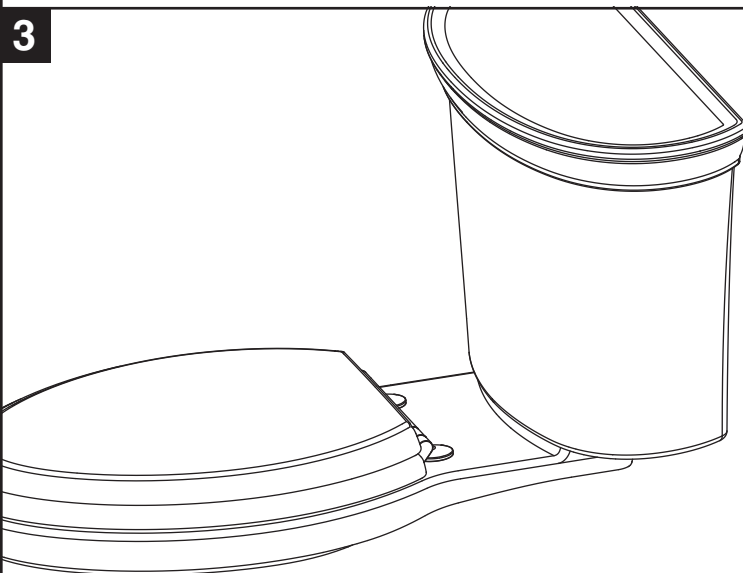
1



2

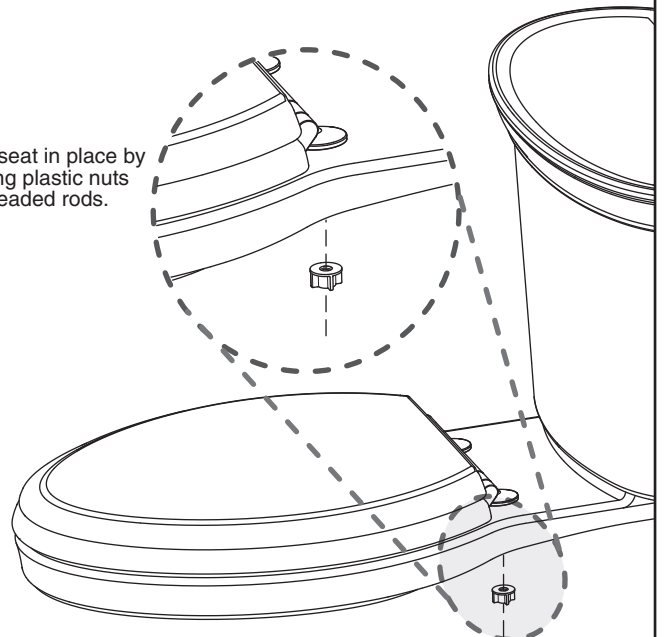


3



4

Secure seat in place by tightening plastic nuts onto threaded rods.



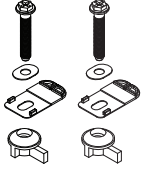
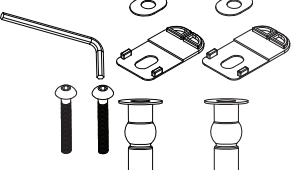
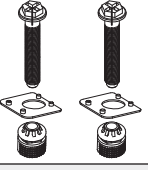
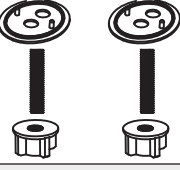
# INSTRUCCIONES DE INSTALACIÓN

## ASIENTO DE INODORO

*American Standard*

Gracias por elegir American Standard - el parámetro de primera calidad por más de 100 años. Para asegurarse de que el producto esté instalado correctamente, por favor lea estas instrucciones cuidadosamente antes de comenzar. (Ciertas instalaciones pueden requerir ayuda profesional). Asegúrese de que su instalación cumpla con los códigos locales.

**NOTA:** Las imágenes pueden no reproducir exactamente el asiento del inodoro ni las piezas.

<b>SI TIENE...</b>	<b>Montaje inferior</b>	<b>Montaje superior</b>	<b>Montaje inferior con tuercas zip</b>	<b>Montaje inferior con postes para bisagras de metal</b>
				
	<b>Ver Instalación 1 en la página 1</b>	<b>Ver Instalación 2 en la página 2</b>	<b>Ver Instalación 3 en la página 3</b>	<b>Ver Instalación 4 en la página 4</b>

### Cuidado y limpieza

Para limpiar el asiento del baño use agua templada con jabón: enjuague bien el asiento con agua limpia y seque con un paño suave.

Evite detergentes, desinfectantes o productos de limpieza en latas de aerosol. Nunca utilice productos de limpieza abrasivos. Algunos cosméticos y productos químicos para baño pueden dañar el acabado del asiento. Después de la instalación, verifique de vez en cuando que los pernos estén ajustados para garantizar la estabilidad del asiento.

### GARANTÍA LIMITADA DE UN AÑO DE AS AMERICA, INC

Si la inspección de este producto de plomería de AS America, Inc. ("American Standard"), dentro del primer año siguiente a su compra inicial, confirma defectos en sus materiales o fabricación, American Standard reparará o, a su elección, cambiará el producto por un modelo similar.

Esta garantía se aplica exclusivamente al comprador e instalación originales de estos productos. En caso de que se efectúe un reclamo bajo garantía limitada, será necesario adjuntar una demostración de compra; guarde el recibo de compraventa.

Esta garantía limitada no se aplica al cumplimiento de las normas de construcción locales. Dado que los códigos de construcción local varían considerablemente, el comprador de este producto debe, antes de la instalación, consultar con su contratista de construcción o plomería local si quiere garantizar el cumplimiento de las normas locales.

Esta garantía limitada se anulará si el producto es retirado de su lugar original de instalación; si sufre mantenimiento inadecuado, maltrato, uso indebido, accidentes u otros daños; si no se lo instala de acuerdo con las instrucciones de American Standard; o si es alterado de un modo incongruente con el producto enviado por American Standard.

La opción de American Standard de reparar o cambiar el producto según esta garantía limitada no cubre la mano de obra ni otros costos de extracción o instalación. EN NINGÚN CASO AMERICAN STANDARD SERÁ RESPONSABLE POR EL COSTO DE REPARACIÓN O REEMPLAZO DE CUALQUIER MATERIAL DE INSTALACIÓN INCLUIDOS PERO SIN LIMITARSE A AZULEJOS, MÁRMOL, ETC. American Standard no será responsable ante cualquier otro daño indirecto o fortuito atribuible a defectos en el producto o a las reparaciones o al recambio de un producto con fallas, por lo que se los excluye expresamente de esta garantía. Esta garantía limitada no cubre responsabilidad alguna por daños indirectos o fortuitos, las cuales quedan explícitamente negadas por medio del presente, ni tampoco la extensión, fuera del plazo de duración de esta garantía limitada, de ninguna garantía implícita, incluidas aquéllas sobre comerciabilidad o idoneidad para un propósito definido. (Algunos estados o provincias no permiten la exclusión o limitación de las garantías implícitas, por lo que esta exclusión puede no aplicarse a su caso.)

Esta garantía limitada le otorga derechos legales específicos. Es posible que tenga otros derechos establecidos por ley que varían de un estado a otro o de una provincia a otra, en cuyo caso esta garantía limitada no afecta tales derechos establecidos por ley.

Para obtener servicio bajo esta garantía, se sugiere que se reclame por medio del contratista o representante de quien o mediante quien se compró el producto, o que se envíe una petición de servicio (incluyendo una descripción del modelo del producto y del defecto) a las direcciones siguientes:

**En los Estados Unidos:**  
American Standard Brands  
P.O. Box 6820  
Piscataway, New Jersey 08855  
Atención: Director de Servicio al Cliente

**En Canadá:**  
AS Canada, ULC  
5900 Avebury Rd.  
Mississauga, Ontario  
Canadá L5R 3M3

**En México:**  
American Standard B&K México  
S. de R. L. de C.V.  
Vía Morelos #330  
Col. Santa Clara  
Ecatepec 55540 Edo. México

Para los residentes en los Estados Unidos, la información de la garantía puede obtenerse también llamando al siguiente número sin cargo: (800) 442-1902  
[www.americanstandard.com](http://www.americanstandard.com)

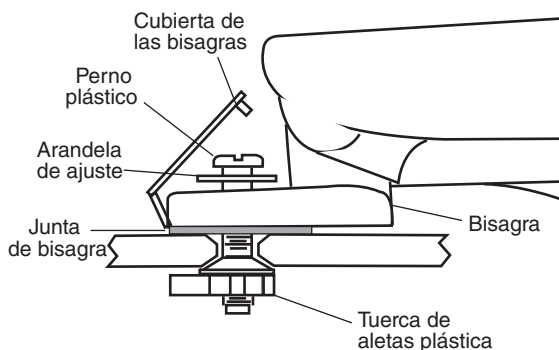
Número sin cargo: (800) 387-0369  
[www.americanstandard.ca](http://www.americanstandard.ca)

Número sin cargo: 01-800-839-1200  
[www.americanstandard.com.mx](http://www.americanstandard.com.mx)

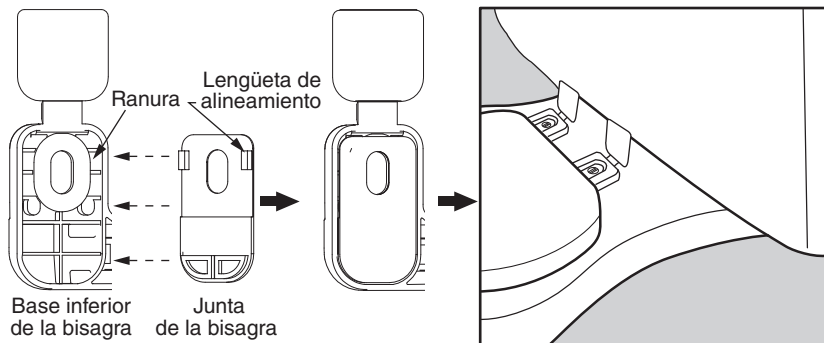


# INSTALACIÓN 1 - MONTAJE INFERIOR CON TUERCA DE ALETAS PLÁSTICA

Vista lateral de las piezas de instalación del asiento del inodoro.



1



Fije las juntas de la bisagra a la parte inferior de la base de la bisagra. Asegúrese de que las lengüetas de alineamiento en las juntas de la bisagra coincidan con las ranuras debajo de la base de la bisagra.

Alinee las juntas por encima de los orificios en la taza del inodoro.

2

El kit de instalación incluye dos conjuntos de arandelas inoxidable: 2 con orificios centrales y 2 con orificios de compensación.

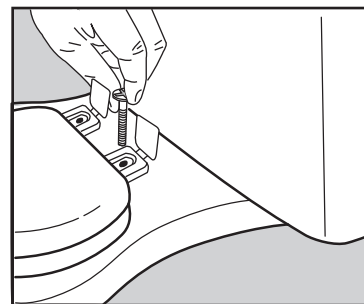
El orificio de compensación de la arandela puede moverse hacia adelante o atrás permitiendo que el asiento se mueva hacia adelante o atrás a lo largo del borde de la taza.



Para mover el asiento hacia adelante

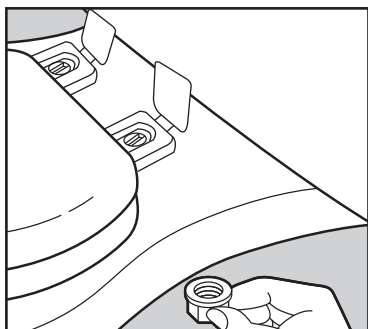
Para mover el asiento hacia atrás

3



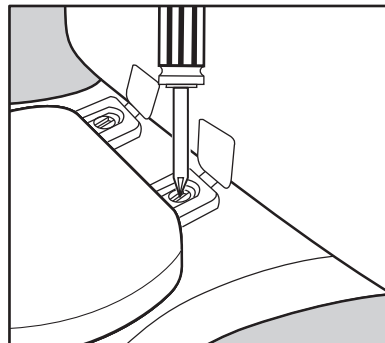
Una vez que el asiento esté bien alineado con el borde delantero de la taza, deslice el perno a través de la arandela y los orificios del perno de la taza.

4



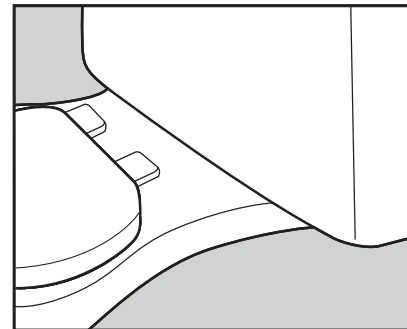
Con los pernos plásticos instalados, enrosque las tuercas mariposa plásticas en los pernos.

5



Ajuste los pernos usando un destornillador.

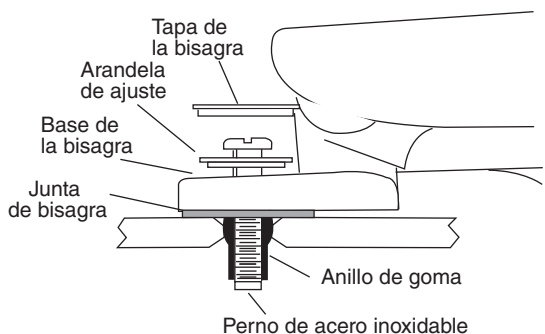
6



Las tapas de la bisagra fueron diseñadas para encajar y bloquearse en la bisagra. Ubique las tapas de la bisagra y empuje hacia abajo en la tapa.

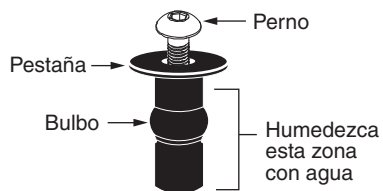
# INSTALACIÓN 2 - MONTAJE SUPERIOR CON ANILLO DE GOMA

Vista lateral de las piezas de instalación del asiento del inodoro.



1

## ANILLO



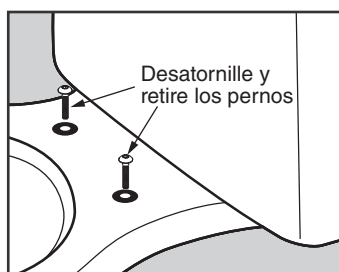
Para instalar fácilmente los anillos de goma negros, inserte el perno de acero (con varias vueltas) y humedezca la parte inferior con agua (el agua con jabón funciona mejor).

2



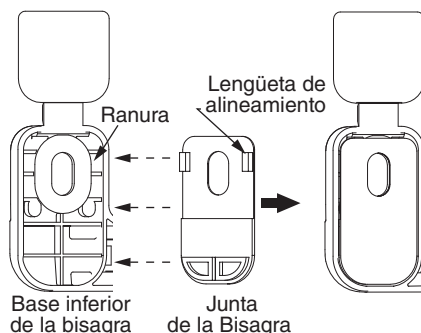
**NOTA: LA PESTAÑA DEBE QUEDARSE SOBRE LA SUPERFICIE.  
¡NO DEJE QUE EL ANILLO SE CAIGA!**

3

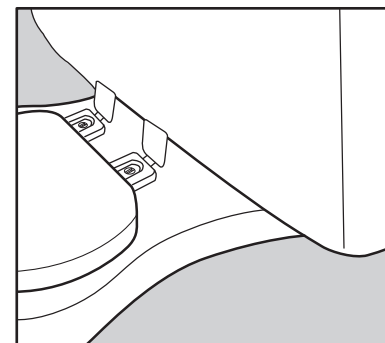


Una vez colocado el anillo, desatornille y retire los pernos y déjelos cerca para poder realizar más tarde el paso 6.

4

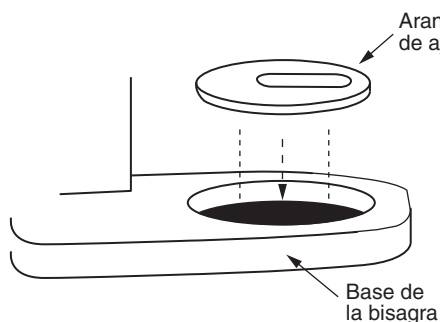


Fije las juntas de la bisagra a la parte inferior de la base de la bisagra. Asegúrese de que las lengüetas de alineamiento en las juntas de la bisagra coincidan con las ranuras debajo de la base de la bisagra.



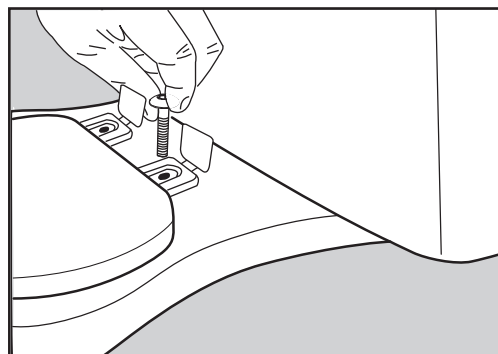
Alinee las juntas por encima de los orificios en la taza del inodoro.

5



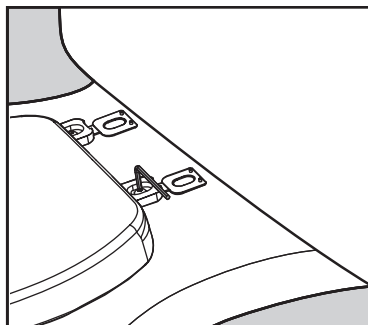
Inserte las arandelas plásticas de ajuste con la superficie plana hacia arriba.

6



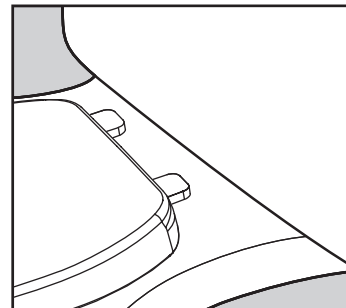
Una vez que el asiento esté bien alineado con el borde delantero de la taza, deslice el perno a través de la arandela y los orificios del perno de la taza.

7



Una vez que esté bien ubicado, ajuste los pernos con su llave.

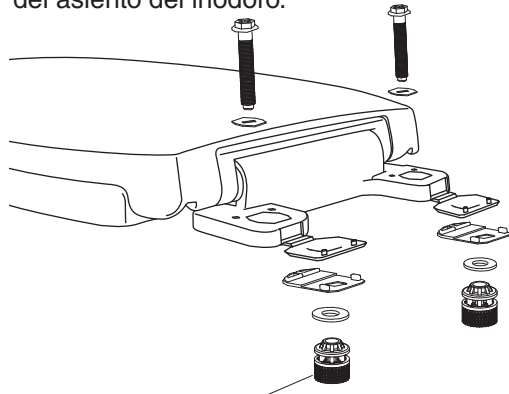
8



Las tapas de la bisagra fueron diseñadas para encajar y bloquearse en la bisagra. Ubique las tapas de la bisagra y empuje hacia abajo en la tapa.

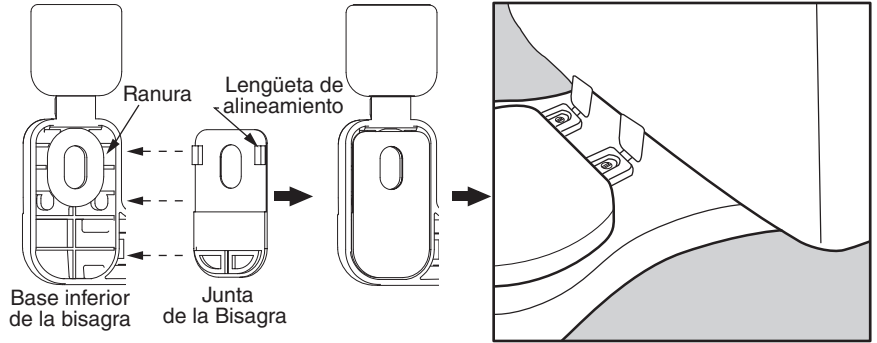
# INSTALACIÓN 3 - MONTAJE INFERIOR CON TUERCAS ZIP

Vista lateral de las piezas de instalación del asiento del inodoro.



Encajar las tuercas - Ver más abajo

**1**



Fije las juntas de la bisagra a la parte inferior de la base de la bisagra. Asegúrese de que las lengüetas de alineamiento en las juntas de la bisagra coincidan con las ranuras debajo de la base de la bisagra.

Alinee las juntas por encima de los orificios en la taza del inodoro.

**2**

El kit de instalación incluye dos conjuntos de arandelas inoxidable: 2 con orificios centrales y 2 con orificios de compensación. El orificio de compensación de la arandela puede moverse hacia adelante o atrás permitiendo que el asiento se mueva hacia adelante o atrás a lo largo del borde de la taza.

### TANQUE



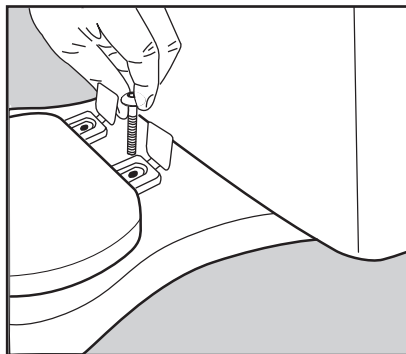
Para mover el asiento hacia adelante



Para mover el asiento hacia atrás

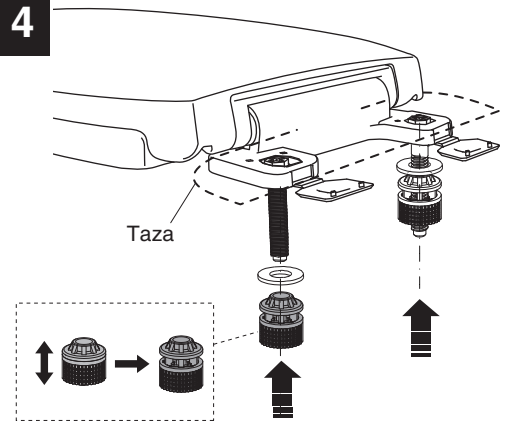
### PARTE DELANTERA DE LA TAZA

**3**



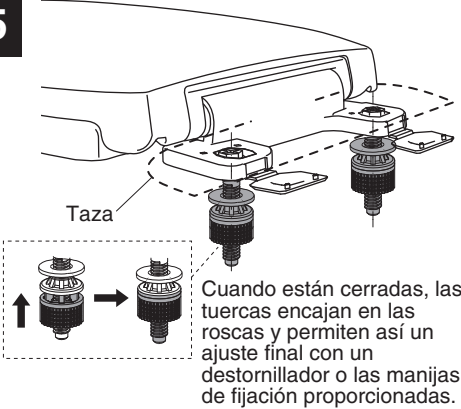
Una vez que el asiento esté bien alineado con el borde delantero de la taza, deslice el perno a través de la arandela y los orificios del perno de la taza.

**4**



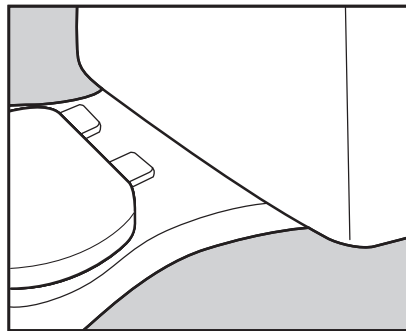
Cuando están abiertas, las tuercas pueden deslizarse encima de las roscas para una instalación rápida.

**5**



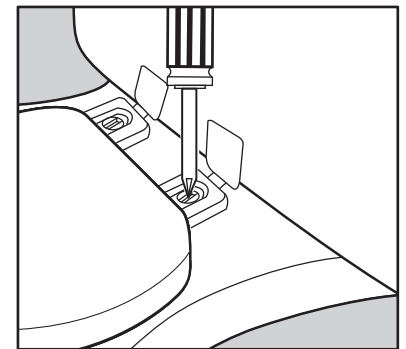
Cuando están cerradas, las tuercas encajan en las roscas y permiten así un ajuste final con un destornillador o las manijas de fijación proporcionadas.

**6**



Las tapas de la bisagra fueron diseñadas para encajar y bloquearse en la bisagra. Ubique las tapas de la bisagra y empuje hacia abajo en la tapa.

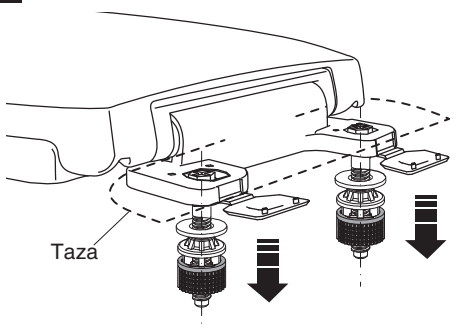
**7**



Ajuste los pernos usando un destornillador.

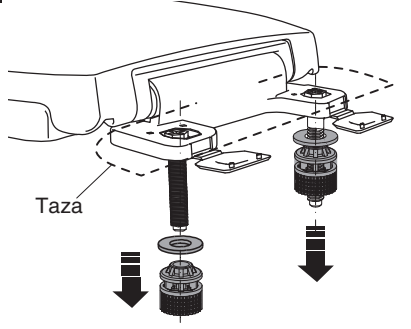
**8**

**RETIRAR**



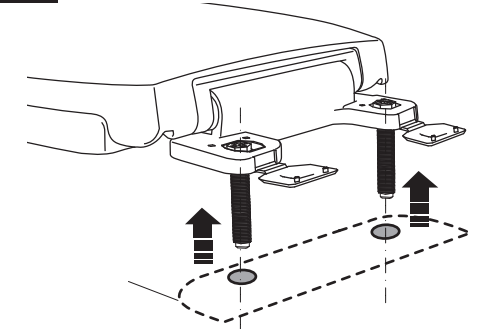
**9**

**RETIRAR**



**10**

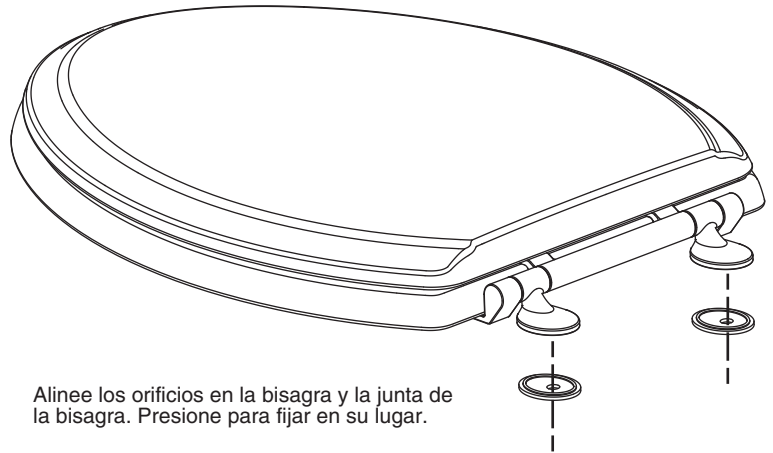
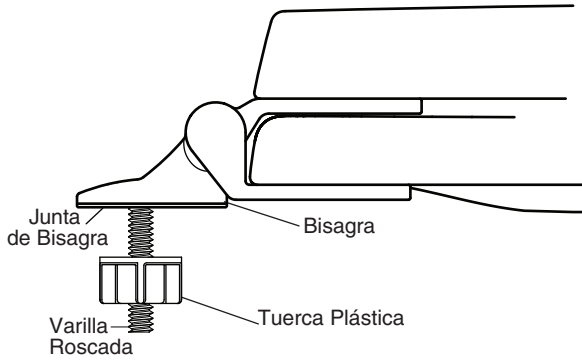
**RETIRAR**



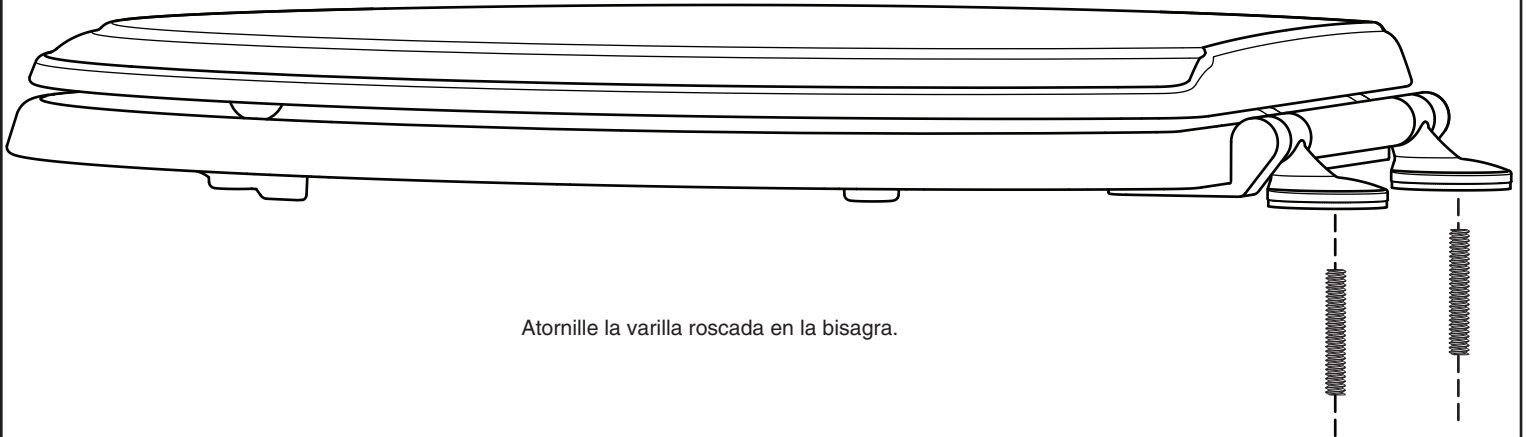
## INSTALACIÓN 4 - MONTAJE INFERIOR CON POSTES PARA BISAGRAS DE METAL

Vista lateral de las piezas de instalación del asiento del inodoro.

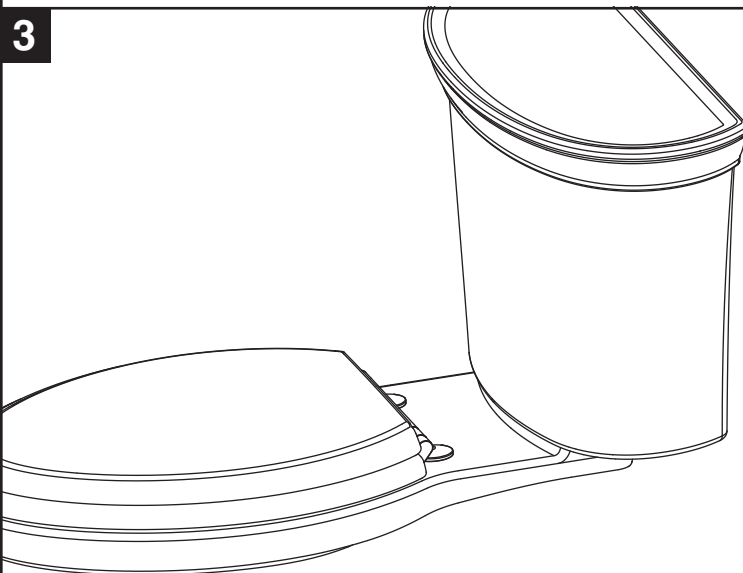
1



2



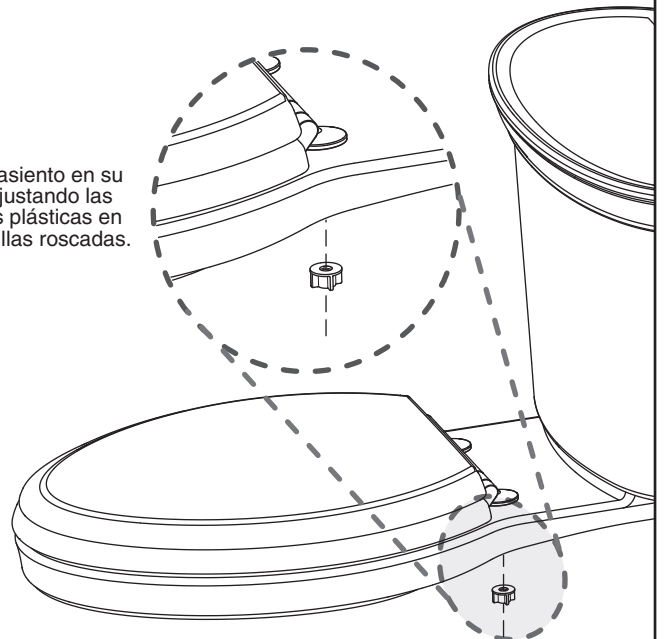
3



Alinee el asiento en la taza insertando las varillas roscadas en los orificios de la taza.

4

Fije el asiento en su lugar ajustando las tuercas plásticas en las varillas roscadas.



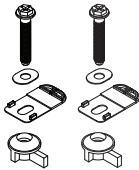
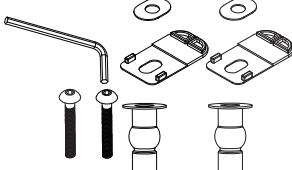
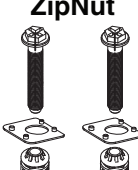
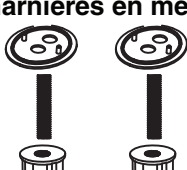
# CONSIGNES D'INSTALLATION

## SIÈGE DE TOILETTE

*American Standard*

Merci d'avoir choisi American Standard, la référence en matière de qualité depuis plus de 100 ans. Afin d'effectuer une bonne installation de cet accessoire, veuillez lire attentivement ces instructions avant de commencer. (Certaines installations peuvent requérir une aide professionnelle.) Assurez-vous également que votre installation est conforme aux codes locaux.

**REMARQUE : Les images peuvent ne pas illustrer parfaitement le siège de toilette et ses composants.**

<b>POUR UNE...</b>	<b>Installation sous surface</b> 	<b>Installation sur le dessus</b> 	<b>Installation sous surface avec écrous ZipNut</b> 	<b>Installation sous surface avec montants pour charnières en métal</b> 
	<b>Voir Installation no 1 à la page 1</b>	<b>Voir Installation no 2 à la page 2</b>	<b>Voir Installation no 3 à la page 3</b>	<b>Voir Installation no 4 à la page 4</b>

### Entretien et nettoyage

Pour nettoyer le siège de toilette, utiliser de l'eau avec un savon doux : bien rincer avec de l'eau propre et sécher avec un chiffon doux.

Éviter les détergents, désinfectants ou les produits de nettoyage en aérosol. Ne jamais utiliser de poudres à récurer abrasives sur le siège. Certains produits chimiques et cosmétiques pour salles de bains peuvent endommager la fini du siège. Après l'installation, vérifier de temps à autre si les boulons sont bien serrés.

### GARANTIE LIMITÉE D'UNE ANNÉE AS AMERICA, INC

Si une inspection de cet article de plomberie AS America, Inc. (« American Standard »), dans l'année qui suit son installation initiale, fait état d'un défaut de matériau ou de fabrication, American Standard réparera ou échangera, à sa discrétion, le produit pour un modèle semblable.

Cette garantie limitée s'applique uniquement à l'acheteur original et à l'installation initiale de ces produits. En cas de réclamation à l'égard d'une garantie limitée, une preuve d'achat sera requise. Nous vous conseillons de conserver vos reçus.

Cette garantie limitée ne s'applique pas aux conformités des codes du bâtiment locaux. Puisque les codes de la construction locaux varient considérablement, l'acheteur de ce produit devrait vérifier auprès d'un entrepreneur local en construction ou en plomberie afin de s'assurer de la conformité au code local avant l'installation.

Cette garantie limitée deviendra nulle et sans effet si le produit a été déplacé de l'endroit d'installation initial; s'il a été soumis à un mauvais entretien, à l'abus, à une mauvaise utilisation, à un accident ou à d'autres avaries; s'il n'a pas été installé conformément aux directives d'American Standard; ou s'il a été modifié d'une manière incompatible au produit tel que livré par American Standard.

L'option d'American Standard de réparer ou échanger le produit selon les conditions de cette garantie limitée n'inclut pas les frais de main-d'oeuvre ou autres frais encourus pour la dépose ou l'installation. EN AUCUN CAS, AMERICAN STANDARD NE POURRA ÊTRE TENUE RESPONSABLE DES FRAIS DE RÉPARATION OU DE REMPLACEMENT DE MATÉRIAU D'INSTALLATION, ENTRE AUTRE, LE CARRELAGE, LE MARBRE, ETC. American Standard ne pourra être tenue responsable pour tous dommages indirects ou accidentels, attribuables à un défaut dans le produit ou à la réparation ou à l'échange d'un produit défectueux, étant tous expressément exclus de cette garantie limitée. Cette garantie limitée ne couvre pas la responsabilité en matière de dommages indirects ou accidentels qui sont expressément exclus de la garantie ou de tout prolongement au-delà de la durée de cette garantie limitée dans le cas de garanties tacites limitées, y compris celles de qualité marchande ou de convenance à l'égard de l'utilisation prévue. (Certains états ou provinces ne permettent pas d'exclusion ou de limitation des garanties limitées; cette exclusion peut donc ne pas s'appliquer à vous.)

Cette garantie limitée vous donne des droits juridiques spécifiques. Vous pourriez vous prévaloir d'autres droits prévus par la loi qui varient d'une province à l'autre ou d'un état à l'autre et, dans ces cas, la présente garantie limitée n'a aucun effet sur ces droits prévus par la loi.

Pour obtenir un service en vertu de cette garantie, il est suggéré qu'une réclamation soit adressée par l'entremise de l'entrepreneur ou du marchand auprès de qui le produit a été acheté, ou qu'une demande de service (incluant une description du modèle du produit et de la défektivité) soit acheminée à l'adresse suivante :

#### Aux États-Unis :

American Standard Brands  
P.O. Box 6820  
Piscataway, New Jersey 08855  
Attention: Directeur du Service à la clientèle

Les résidents des États-Unis peuvent aussi obtenir des informations à propos de la garantie en composant le numéro sans frais 800-442-1902.  
[www.americanstandard.com](http://www.americanstandard.com)

#### Au Canada :

AS Canada, ULC  
5900 Avebury Rd.  
Mississauga, Ontario  
Canada L5R 3M3

Sans frais : 800-387-0369  
[www.americanstandard.ca](http://www.americanstandard.ca)

#### Au Mexique :

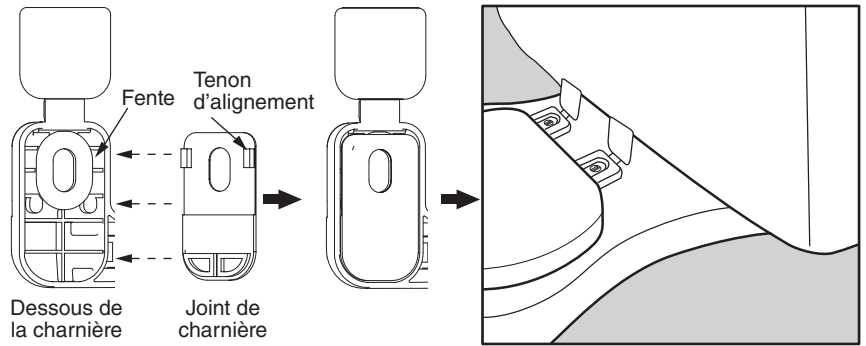
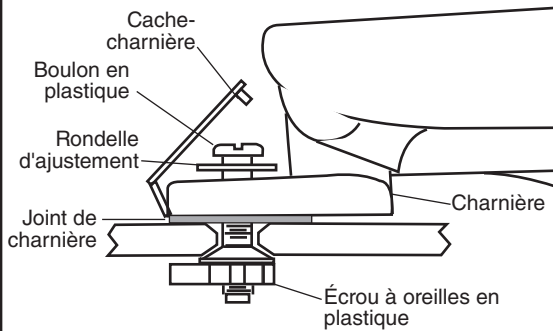
American Standard B&K Mexique  
S. de R.L. de C.V.  
Via Morelos n° 330  
Col. Santa Clara  
Ecatepec 55540 Edo. Mexique

Sans frais : 01-800-839-1200  
[www.americanstandard.com.mx](http://www.americanstandard.com.mx)

# INSTALLATION NO 1 - INSTALLATION SOUS SURFACE AVEC ÉCROU À OREILLES EN PLASTIQUE

Vue latérale des pièces pour l'installation du siège de toilette.

**1**

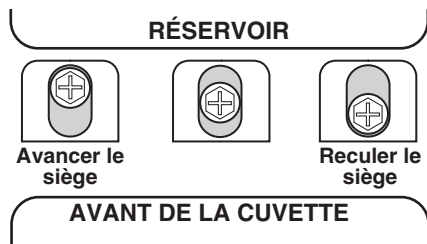


Attachez les joints de charnière au-dessous de la charnière. Assurez-vous que les tenons d'alignement correspondent aux fentes de la charnière. Alignez les charnières avec les trous sur la cuvette des toilettes.

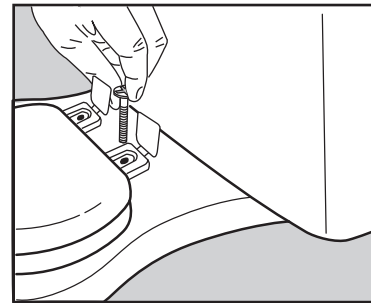
**2**

La trousse d'installation comprend deux ensembles de rondelles en acier inoxydable : deux avec des orifices centraux et deux avec des orifices décentrés.

Les rondelles décentrées peuvent être placées vers l'avant ou vers l'arrière, permettant ainsi de déplacer le siège plus près ou plus loin du rebord de la cuvette.

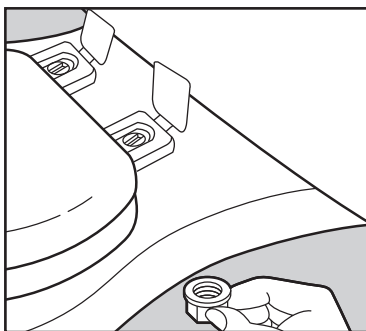


**3**



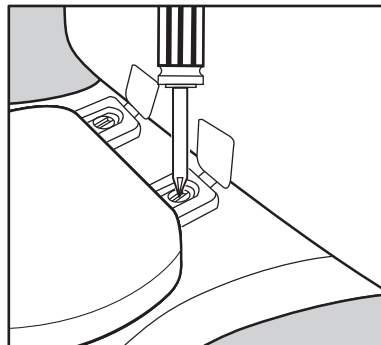
Une fois le siège correctement aligné avec le rebord avant de la cuvette, faites passer le boulon dans la rondelle et les trous sur la cuvette.

**4**



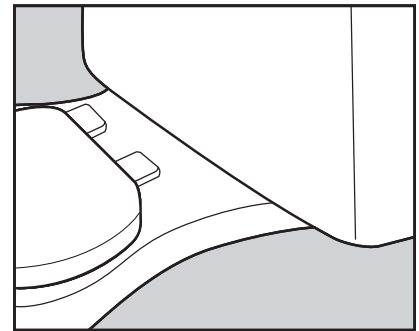
Lorsque les boulons en plastique sont installés, filetez les écrous à oreilles en plastique sur les boulons.

**5**



Serrez les boulons à l'aide d'un tournevis.

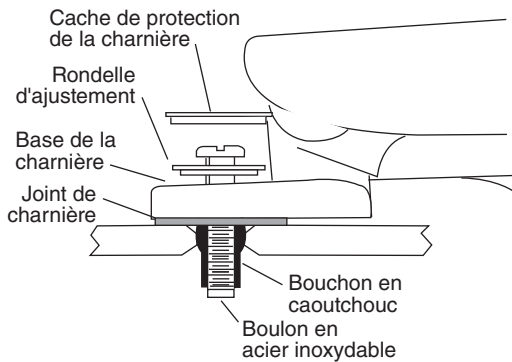
**6**



Les caches de protection de la charnière sont conçus pour s'enclencher dans la charnière. Mettez en place les caches de protection de la charnière et appuyez sur le couvercle.

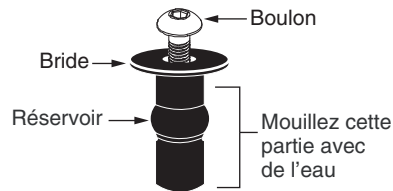
## INSTALLATION NO 2 - INSTALLATION SUR LE DESSUS AVEC BOUCHON EN CAOUTCHOUC

Vue latérale des pièces pour l'installation du siège de toilette.



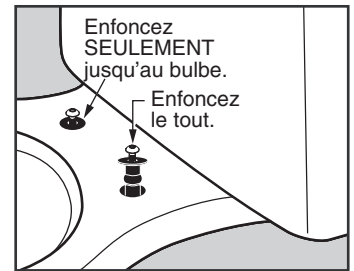
1

### BOUCHON



Pour installer facilement les bouchons en caoutchouc noir, insérez un boulon en acier (vissez-le légèrement), puis mouillez la partie inférieure avec un peu d'eau (l'eau savonneuse est plus efficace).

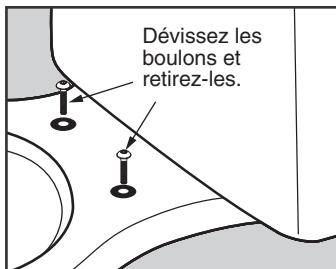
2



**REMARQUE : LA BRIDE DOIT RESTER À LA SURFACE.**

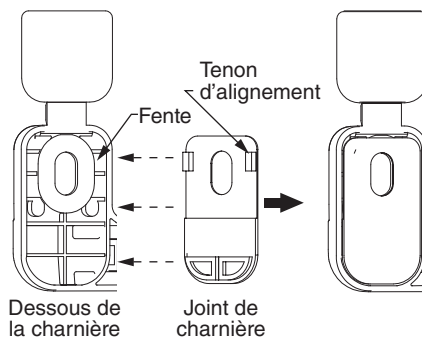
**NE LAISSEZ PAS LE BOUCHON PASSER EN ENTIER!**

3

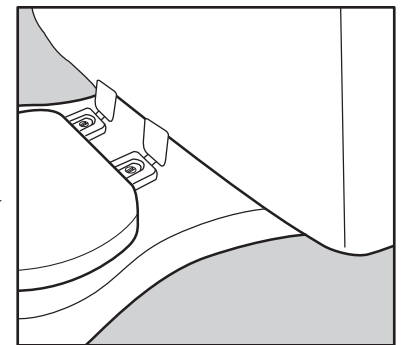


Dévissez les boulons et retirez-les.  
Une fois la rondelle mise en place, dévissez les boulons, retirez-les et conservez-les pour l'étape 6.

4

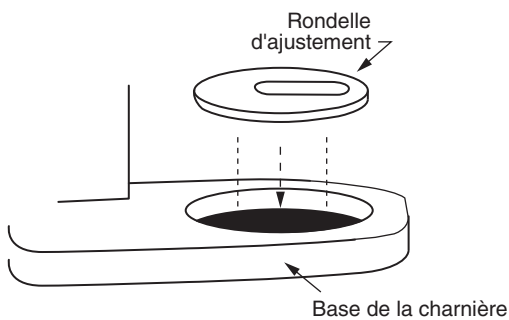


Attachez les joints de charnière au-dessous de la charnière. Assurez-vous que les tenons d'alignement correspondent aux fentes de la charnière.



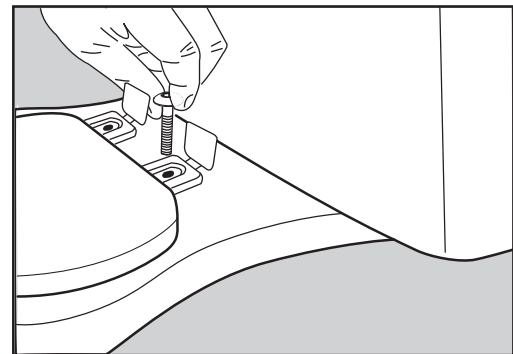
Alignez les charnières avec les trous sur la cuvette des toilettes.

5



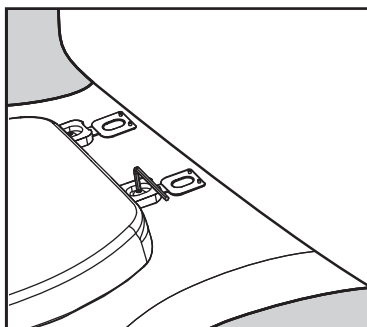
Insérez la rondelle de réglage en plastique, la surface plate vers le haut.

6



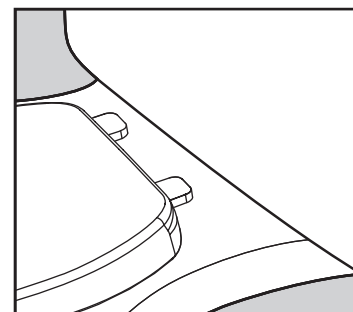
Une fois le siège correctement aligné avec le rebord avant de la cuvette, faites passer le boulon dans la rondelle et les trous sur la cuvette.

7



Une fois la cuvette correctement positionnée, serrez les boulons à l'aide de votre clé.

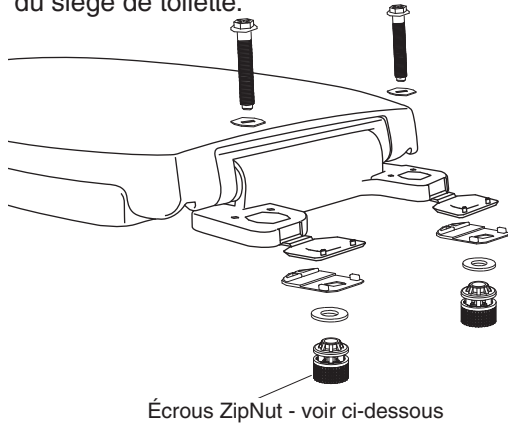
8



Les caches de protection de la charnière sont conçus pour s'enclencher dans la charnière. Mettez en place les caches de protection de la charnière et appuyez sur le couvercle.

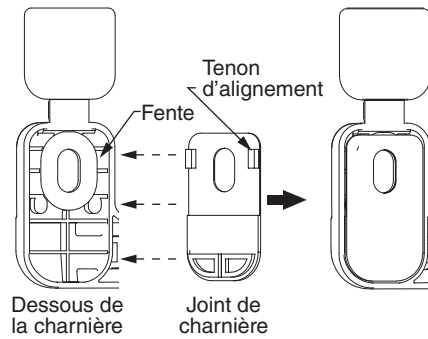
# INSTALLATION NO 3 - INSTALLATION SOUS SURFACE AVEC ÉCROUS ZIPNUT

Vue latérale des pièces pour l'installation du siège de toilette.

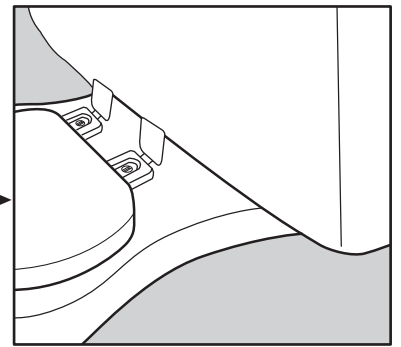


Écrous ZipNut - voir ci-dessous

**1**



Attachez les joints de charnière au-dessous de la charnière. Assurez-vous que les tenons d'alignement correspondent aux fentes de la charnière.



Alignez les charnières avec les trous sur la cuvette des toilettes.

**2**

La trousse d'installation comprend deux ensembles de rondelles en acier inoxydable : deux avec des orifices centraux et deux avec des orifices décentrés. Les rondelles décentrées peuvent être placées vers l'avant ou vers l'arrière, permettant ainsi de déplacer le siège plus près ou plus loin du rebord de la cuvette.

## RÉSERVOIR



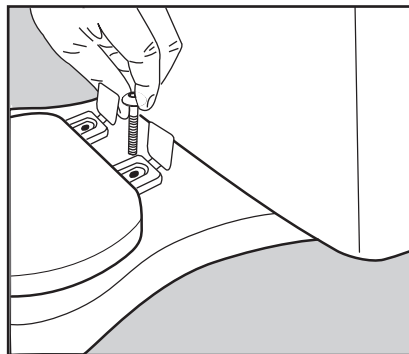
Avancer le siège



Reculer le siège

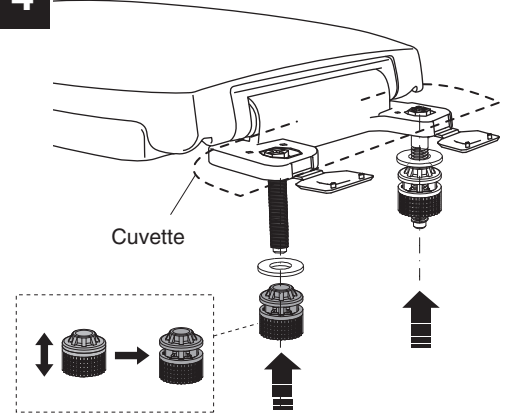
## AVANT DU BOL

**3**



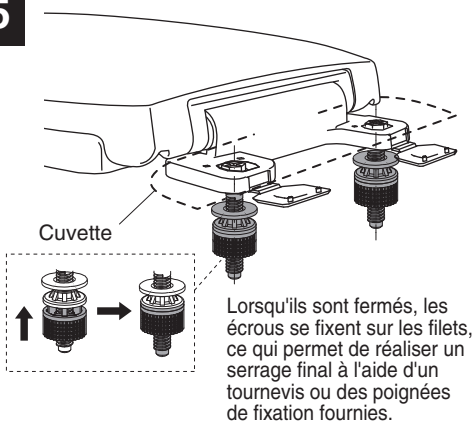
Une fois le siège correctement aligné avec le rebord avant de la cuvette, faites passer le boulon dans la rondelle et les trous sur la cuvette.

**4**



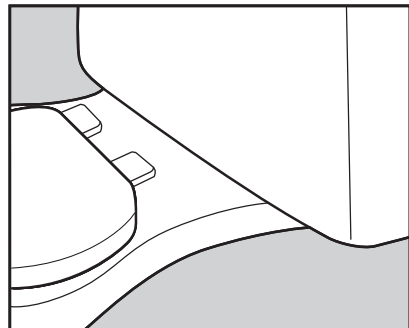
Lorsqu'ils sont ouverts, les écrous peuvent être glissés sur les filets pour une installation rapide.

**5**



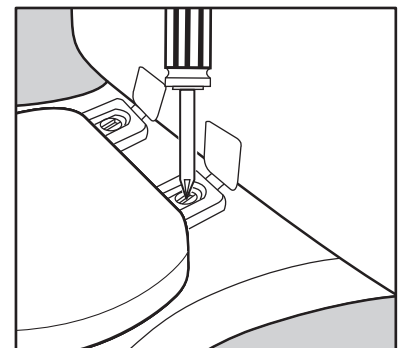
Lorsqu'ils sont fermés, les écrous se fixent sur les filets, ce qui permet de réaliser un serrage final à l'aide d'un tournevis ou des poignées de fixation fournies.

**6**



Les caches de protection de la charnière sont conçus pour s'enclencher dans la charnière. Mettez en place les caches de protection de la charnière et appuyez sur le couvercle.

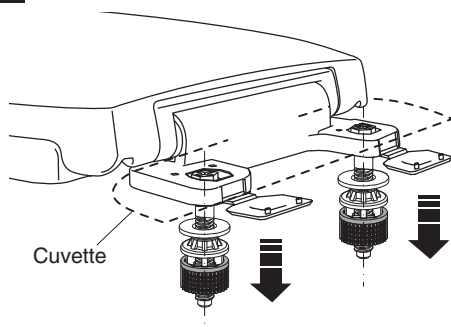
**7**



Serrez les boulons à l'aide d'un tournevis.

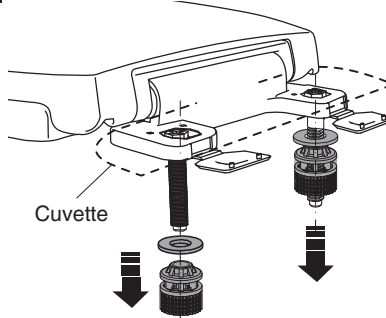
**8**

## RETRAIT



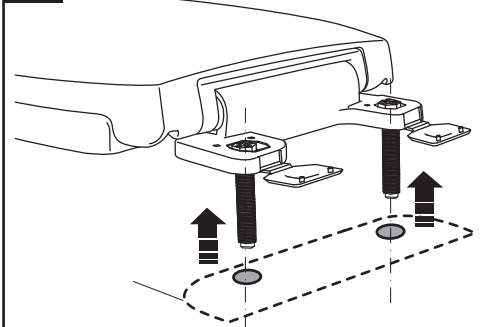
**9**

## RETRAIT



**10**

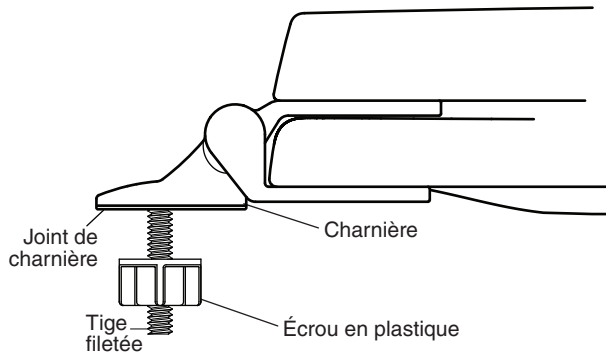
## RETRAIT



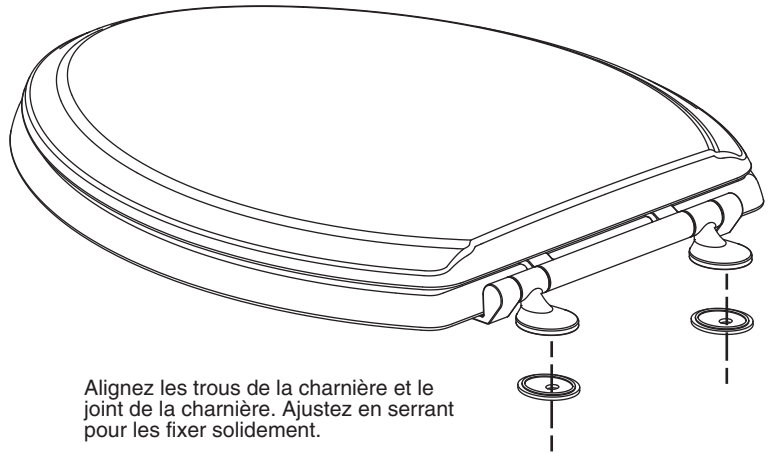


## INSTALLATION NO 4 - INSTALLATION SOUS SURFACE AVEC MONTANTS POUR CHARNIÈRES EN MÉTAL

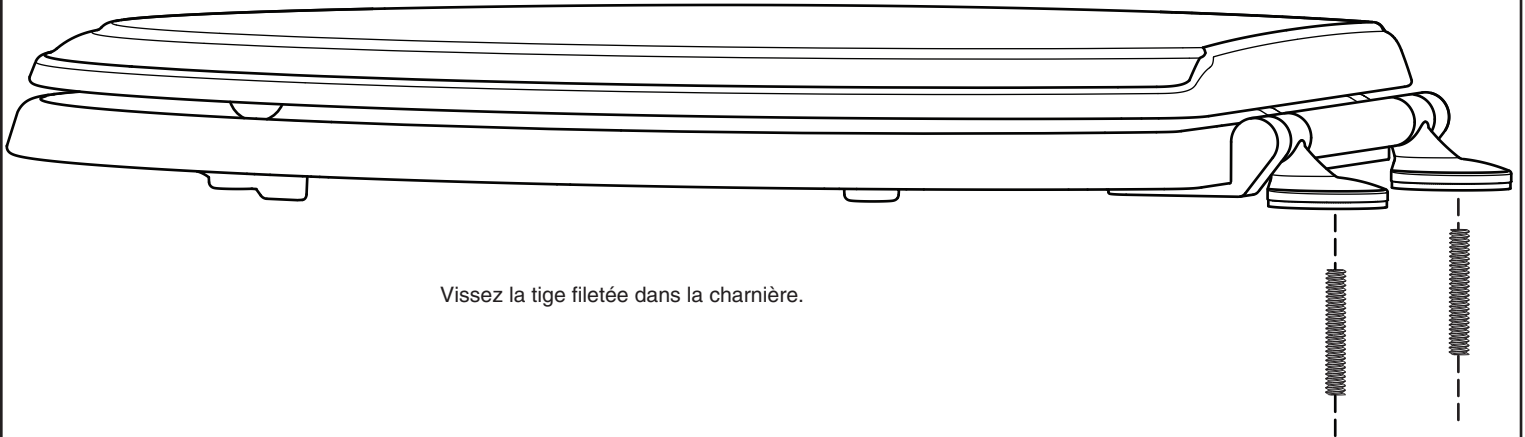
Vue latérale des pièces pour l'installation du siège de toilette.



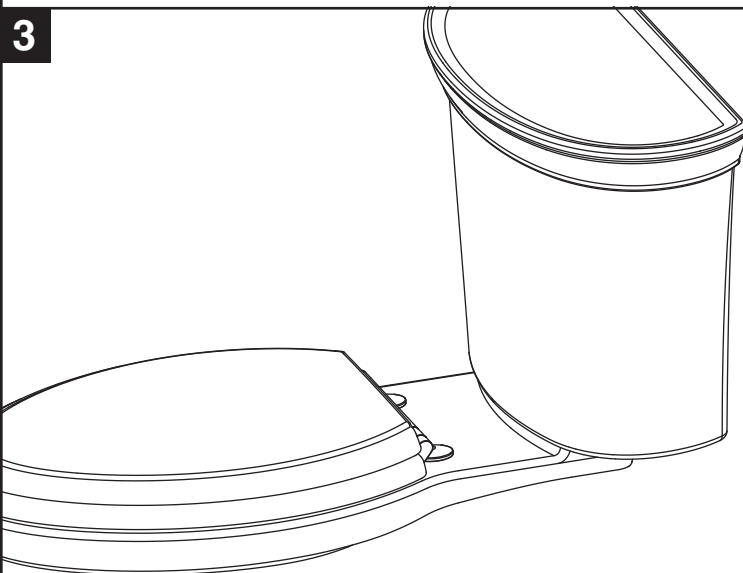
1



2



3



4

Fixez solidement le siège en vissant les écrous en plastique sur les tiges filetées.

