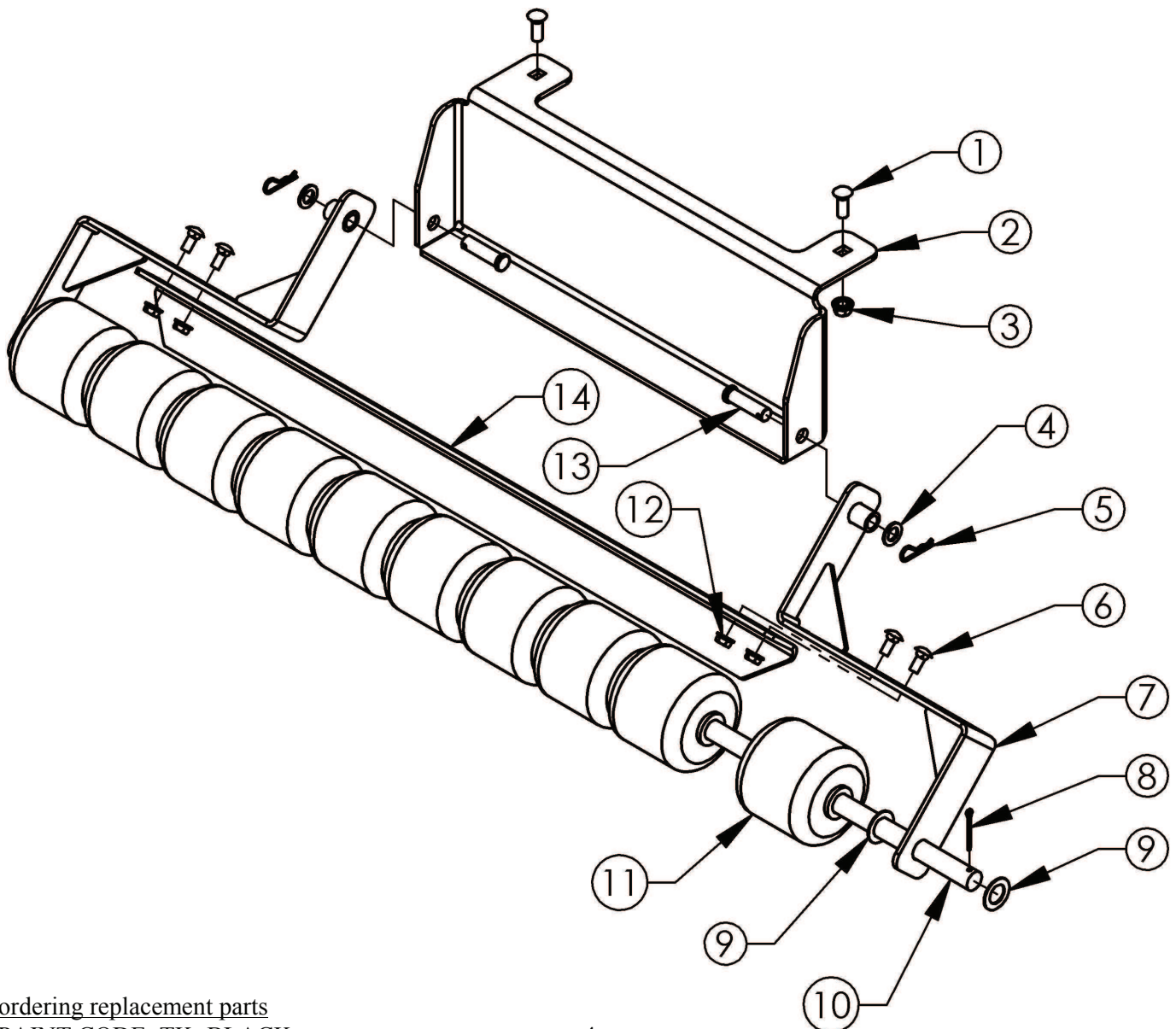


Unpack your 21180 kit and become familiar with each component. Ensure that the correct quantity of each component noted in the parts list is present. Contact customer service if any components are missing (1-800-222-8183). Read the installation instructions thoroughly before you begin.

## PARTS DETAIL

Item #	Part #	Description	Qty
1	10503	Bolt - Carriage 3/8-16 X 1	2
2	21172*	Weldment - Striper Mount Bracket	1
3	NB779	Nut - Serr Flange, Hex	2
4	NB177	Washer - Mach 1/2	2
5	NB127	Pin - Hair, #39	2
6	10216	Bolt - Carriage 5/16-18 X 3/4	4
7	21173*	Weldment - Striper Pivot Bracket	2
8	19035	Pin - Cotter, 1/8 X 1-1/4	2
9	NB179	Washer - 3/4ID X 1 1/4OD 18 GA	4
10	21178Z	Axle - Striper ZP	1
11	21179	Wheel - Striper 3.8OD X .765ID X 3.8	10
12	NB170	Nut - Serr Flange 5/16-18	4
13	18602	Pin - Clevis 1/2" OD x 1-33/64"	2
14	21177*	Bracket - Striper Support	1



When ordering replacement parts  
 \*USE PAINT CODE: TK=BLACK