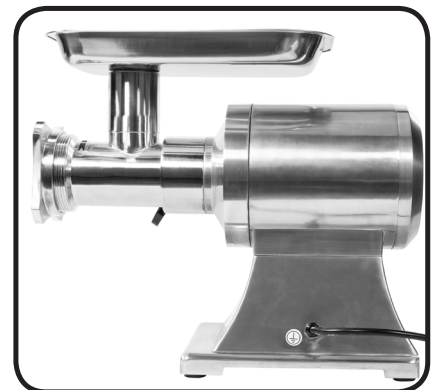




MEAT GRINDER

ITEM: 90803



OWNER'S MANUAL AND SAFETY INSTRUCTIONS

SAVE THIS MANUAL: KEEP THIS MANUAL FOR SAFETY WARNINGS, PRECAUTIONS, ASSEMBLY, OPERATING, INSPECTION, MAINTENANCE AND CLEANING PROCEDURES. WRITE THE PRODUCT'S SERIAL NUMBER ON THE BACK OF THE MANUAL NEAR THE ASSEMBLY DIAGRAM (OR MONTH AND YEAR OF PURCHASE IF PRODUCT HAS NO NUMBER)

FOR QUESTIONS PLEASE CALL OUR CUSTOMER SUPPORT: 909.628.0880 MON-FRI 9AM TO 3PM PST



GENERAL SAFETY WARNINGS

Read all safety warnings and instructions. Failure to follow the warnings and instructions may result in electric fire and/or serious injury. Save all warnings and instructions for future reference.

The warnings, precautions, and instructions discussed in this instruction manual cannot cover all possible conditions and situations that may occur. It must be understood by the operator that common sense and caution are factors which cannot be built into this product, but must be supplied by the operator. Read carefully and understand all **ASSEMBLY AND OPERATION INSTRUCTIONS** before operating. Failure to follow the safety rules and other basic safety precautions may result in serious personal injury.

- **Read and understand all instructions.** Failure to follow all instructions may result in serious injury or property damage.
- **DO NOT** allow persons to operate or assemble the product until they have read this manual and have developed a thorough understanding of how it works.
- **DO NOT modify this product in any way.** Unauthorized modification may impair the function and/or safety and could affect the life of the product. There are specific applications for which the product was designed.
- **NEVER** operate this appliance unattended.
- **ALWAYS** ensure that the appliance is properly assembled and safely set up before use.
- **CAUTION:** This appliance is not recommended for use near or by children or persons with certain disabilities. Set up and store the appliance out of reach of children. When not in use, store device in a secure and dry place out of reach of children
- Store appliance in upright position to extend life of motor .
- Make sure the voltage and frequency indicated on the bottom plate are the same as your local supply and that the external earthed wire is reliably connected.
- **DO NOT** operate with a damaged cord or plug, after the unit malfunctions, has been damaged in any way or if appliance has been immersed in water or other liquid. **ALWAYS** unplug unit when not in use, when changing parts or cleaning.
- **Indoor use only.** To protect against the risk of electrical shock, never immerse the device in water and **DO NOT** expose the device to rain or moisture. **WARNING:** In the event the device should fall into water, remove the plug from the wall socket before attempting to remove the unit from the water. If submergence occurs, have the appliance examined by an authorized technician before use.
- To protect against the risk of electrical shock, **DO NOT** use the appliance if your hands are wet or if you are standing on a wet floor. **DO NOT** use the appliance if it is wet or moist. **DO NOT** operate this device with wet hands or bare feet. **DO NOT** operate near running water.
- **DO NOT** use the appliance to grind bones, frozen food, hard items or non-food items.
- Use the appliance with the supplied accessories only. **WARNING:** The use of attachments not recommended or sold by the manufacturer may cause injury and/or damage to personal property.
- **DO NOT** use fingers to scrape food away from the cutting blade while appliance is in operation as injury may result.
- **DO NOT** grind ginger or other fibrous foods.

PARTS LIST

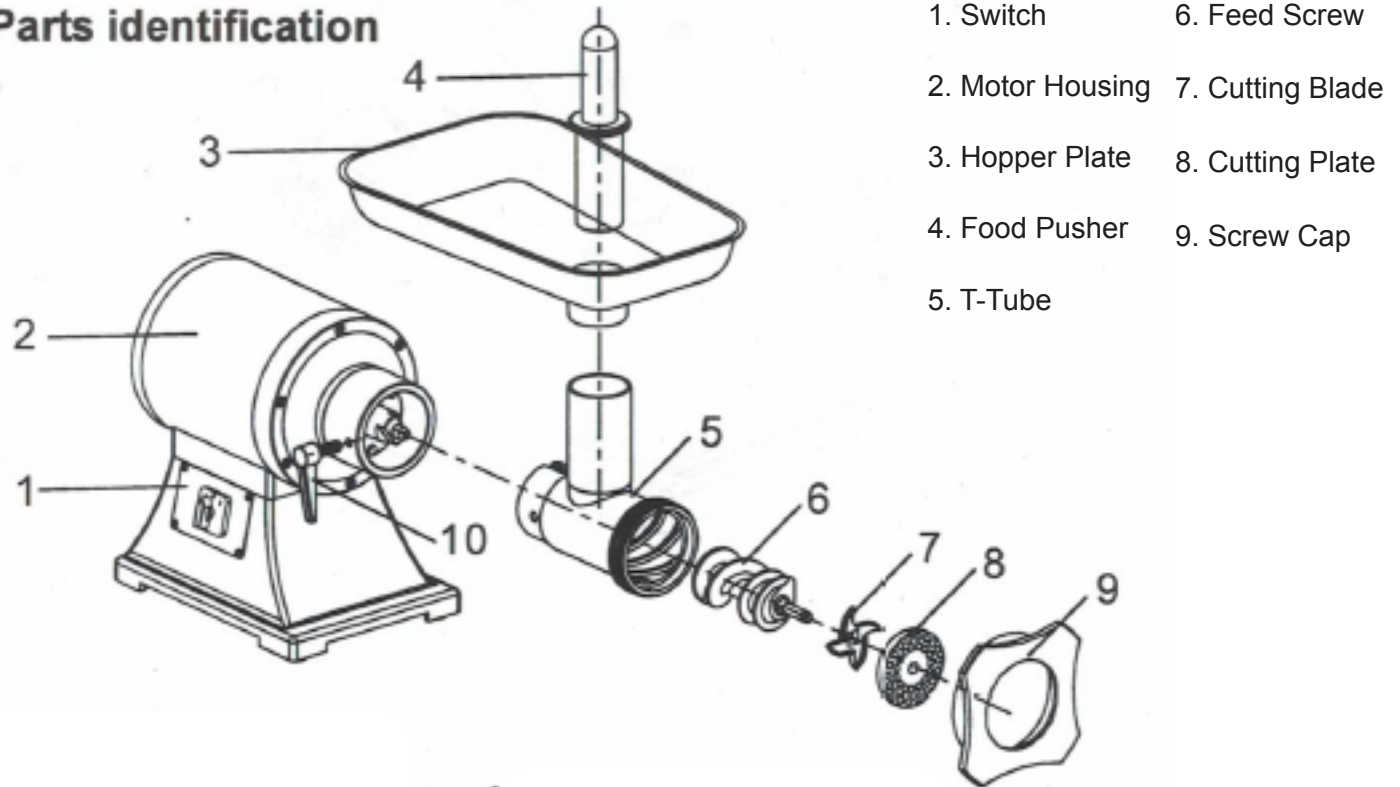
- **WARNING: DO NOT** use while under the influence of alcohol or drugs (prescription or non-prescription) as these may impair user's ability to properly assemble or safely operate the appliance.
- Avoid contacting moving parts. Wait until all parts have come to a complete stop and disconnect from the power source before removing any parts of the grinder.
- **WARNING: NEVER** feed food into grinder by hand as serious injury may occur, always use provided meat stomper. **DO NOT** use fingers to scrape food away from the grinding plate while the grinder is running.
- Thoroughly hand-wash all grinder parts in warm soapy water prior to use. **DO NOT** soak. This product is **NOT DISHWASHER SAFE** (discoloration may occur)
- Tie back loose hair and clothing. Remove neckties, rings, watches, bracelets or other jewelry before operating the grinder.
- **DO NOT** run grinder without meat in the Grinder Head, severe damage to the Grinder Head and Auger could result.
- Use grinder on a level, stable surface to prevent tipping. **NEVER** move the grinder while unit is in use.
- **WARNING:** Knife and plates are SHARP! To avoid injury, use extreme caution when handling.
- If your unit fails to operate, contact Barton for technical assistance at 909.628.0880. If meat is mashing instead of extruding in strings from the grinding plate, chill the meat to 40°, and check to see that the plate and knife are properly installed. A dull knife or plate will also cause mashing of the meat.
- To protect against risk of electrical shock, **DO NOT** put appliance in water or any other liquids
- **DO NOT** place this appliance on or near gas or electric burners or stoves. **DO NOT** place this appliance inside or on top of a heated conventional oven, microwave oven, or other heat source or a dishwasher.
- **DO NOT** submerge or expose the electrical components of this product to water or any other liquids.
- **WARNING:** The cutting blade is sharp; always handle with care when using and while cleaning.
- **CAUTION: NEVER PUT YOUR FINGERS NEAR THE FOOD CHUTE WHILE GRINDER IS IN OPERATION.**
- To avoid a circuit overload, do not operate another electrical product on the same electrical circuit as this product.
- Disconnect the plug (**DO NOT** pull on Power Cord) from the electrical outlet. **DO NOT** put any stress on the Power Cord where it connects to the product, as the Power Cord could fray and break.
- **DO NOT** use any abrasive cleaning agents or cleaning cloths or sponges when cleaning the appliance.

TECHNICAL SPECIFICATIONS

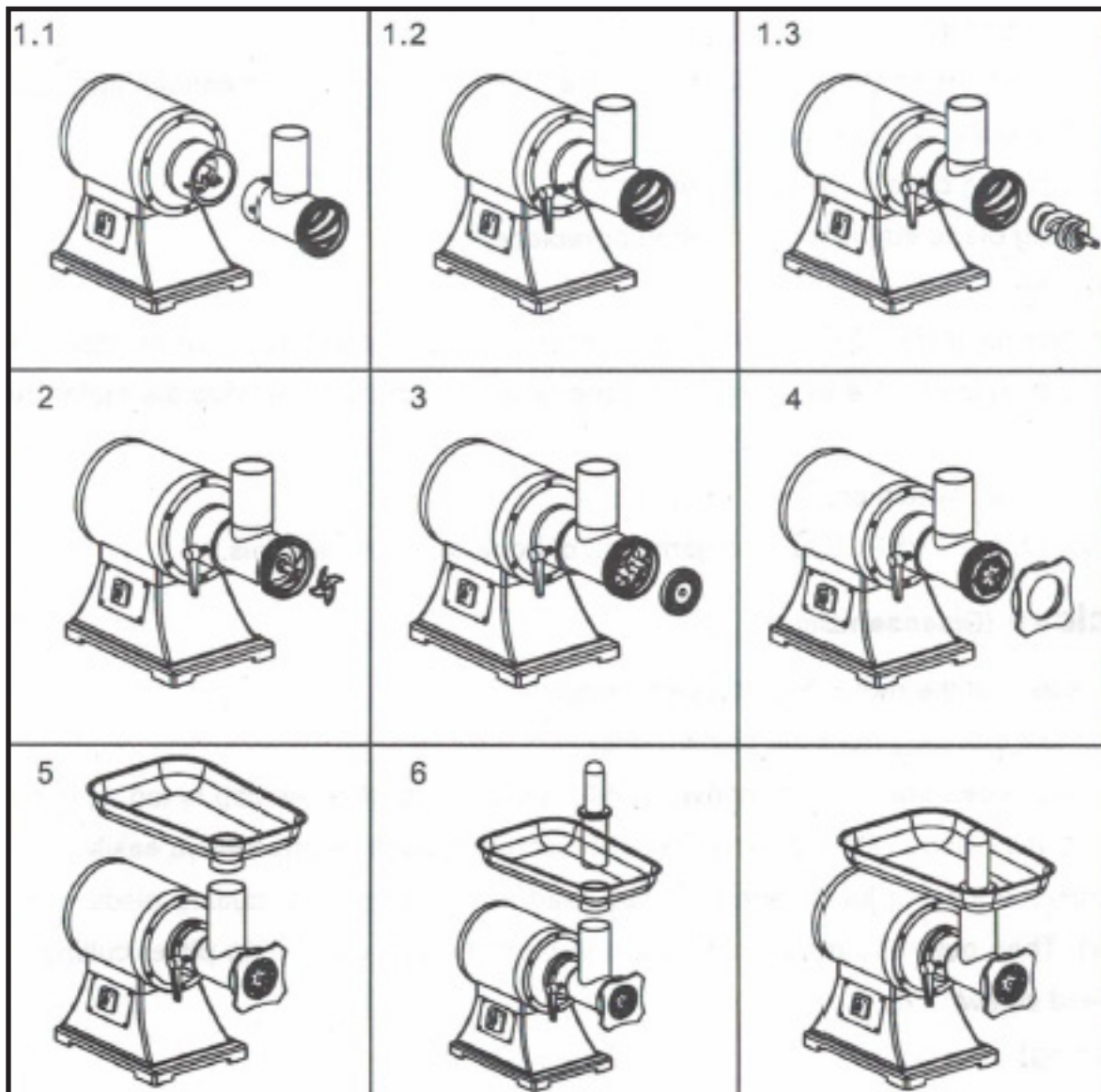
PRODUCTIVITY	550lbs/hr
SPEED OF BLADE	193-225 r/min
DIMENSIONS / CTN	50 x 29 x 36.5cm
GROSS WEIGHT	48.5LBS

PARTS INFORMATION AND ASSEMBLY

Parts identification



ASSEMBLY



ASSEMBLY and OPERATION

1. Assemble the head part in the motor housing and lock it. Place feed screw into the head, login first by turning the feed screw slightly until it is set into the motor.
2. Place the cutting blade onto the feed screw shaft with the blade facing the front as illustrated. If it is not fitted properly, meat will not be ground.
3. Place the cutting plate next to the cutting blade, the gap aligns the pin to the head.
4. Screw the cap into place until it is tight. Place the hopper plate on the machine.
 - **DO NOT** over tighten, Place the hopper plate on the head and fix it into position. Locate the unit on a firm place.
 - The air passage at the bottom and the side of the motor housing should be kept free and not blocked. Cut all food into pieces that will fit in the hopper. Plug in the grinder and switch the power to ON.
5. Feed food into the hopper plate and use the pusher to guide meat into the hopper. After you are finished grinding all the meat, switch the power OFF and unplug the grinder.

NOTE: If minced meat is not discharged smoothly or in the form of a paste, the causes and remedy could be:

1. Screw cap is too tight making it so the cutting blade does not make proper contact with the cutting plate. Readjust to fit.
2. The cutting plate is blocked and needs to be cleaned.
3. The cutting blade edges are dull, grind or replace it.

JAMMING: When the motor is locked or when the motor continues to function but no meat is coming out of the cutting plate. This could be due to bone or other materials jamming the hopper.

- Switch off the power to the grinder and turn the switch to REVERSE to clear the materials .

CLEANING THE GRINDER

DISASSEMBLY: Make sure the power is switched OFF and the motor has stopped completely. Disconnect the plug from the power outlet. Unscrew the cap sides and locking knob. Take out the head (with cutting plate, cutting blade and feed screw), then put head mouth downward in order to take out the cutting plate, cutting blade and feed screw.

CLEANING: Remove meat etc. wash each part with warm soapy water.

- A bleaching solution containing chlorine will discolor aluminium surfaces.
- **DO NOT** immerse in motor housing in water, but only wipe it with a damp cloth.
- Thinners and benzenes will crack or change the color of the unit.
- A little salad oil on part 6-8 after washing and drying will help lubricate the unit.

NOTE: Use extreme caution when handling the cutting blade.

NOTE: DO NOT use a perforated disc with holes >8mm in diameter or smaller unless an additional protected hood is provided at the discharge outlet.

MAINTENANCE

PLEASE READ THE FOLLOWING CAREFULLY

THE MANUFACTURER AND/OR DISTRIBUTOR HAS PROVIDED THE PARTS LIST AND ASSEMBLY DIAGRAM IN THIS MANUAL AS A REFERENCE TOOL ONLY. NEITHER THE MANUFACTURER OR DISTRIBUTOR MAKES ANY REPRESENTATION OR WARRANTY OF ANY KIND TO THE BUYER THAT HE OR SHE IS QUALIFIED TO MAKE ANY REPAIRS TO THE PRODUCT, OR THAT HE OR SHE IS QUALIFIED TO REPLACE ANY PARTS OF THE PRODUCT. IN FACT, THE MANUFACTURER AND/OR DISTRIBUTOR EXPRESSLY STATES THAT ALL REPAIRS AND PARTS REPLACEMENTS SHOULD BE UNDERTAKEN BY CERTIFIED AND LICENSED TECHNICIANS, AND NOT BY THE BUYER. THE BUYER ASSUMES ALL RISK AND LIABILITY ARISING OUT OF HIS OR HER REPAIRS TO THE ORIGINAL PRODUCT OR REPLACEMENT PARTS THERETO, OR ARISING OUT OF HIS OR HER INSTALLATION OF REPLACEMENT PARTS THERETO.

Record Product's Serial Number Here: _____

Note: If product has no serial number, record month and year of purchase instead.

Note: Some parts are listed and shown for illustration purposes only and are not available individually as replacement parts.



SAVE THESE INSTRUCTIONS

Questions, problems, missing parts?



Before returning to your retailer, our exceptional customer service is here to help.

Call Us: 909.628.0880

Email Us: customer@bartonliving.com

Hours of Operation: 9am - 4pm (Monday - Friday)

PRODUCT MADE IN CHINA