

installation instructions:

PVC BASE MOULDING

SAFETY INSTRUCTIONS

Make sure to use the recommended tools.

Wear proper protective gear.

Follow fixture, power tools, manufacturers' instructions, and user manuals.

Use common sense and follow good construction practices.

TOOL & MATERIAL CHECKLIST

- | | |
|---|--|
| <input type="checkbox"/> miter saw | <input type="checkbox"/> 100% acrylic paint |
| <input type="checkbox"/> miter box | <input type="checkbox"/> Acrylic caulk & gun |
| <input type="checkbox"/> hammer or nail gun | <input type="checkbox"/> tape measure |
| <input type="checkbox"/> nails | <input type="checkbox"/> utility knife |
| <input type="checkbox"/> PVC cement | <input type="checkbox"/> safety glasses |
| <input type="checkbox"/> carbide-tipped blade | <input type="checkbox"/> chalk line box & pencil |
| <input type="checkbox"/> angle finder | <input type="checkbox"/> sandpaper |
| <input type="checkbox"/> paint brush | |

SPECIAL INSTRUCTIONS & NOTES

- You can use standard woodworking tools, but use carbide-tipped cutting tools and blades.
- Use scarf joints and join them at studs with PVC cement and stainless steel screws.
- Hot-dipped galvanized or stainless steel nails/screws are best for PVC trim.
- PVC expands and contracts with temperature. If you are installing above 80 degrees F, cut pieces to fit tightly. 60-80 degrees, leave a 1/16-in gap for 18 ft of length. Below 60 degrees, leave a 1/8-in gap. After installation cover gap with acrylic caulk.
- Fill fastener holes in PVC with acrylic caulk.
- Glue joints and miters together with PVC cement.
- Use 100% acrylic paint before installing, finish with final coat to cover chalked holes.

STEP BY STEP INSTRUCTIONS

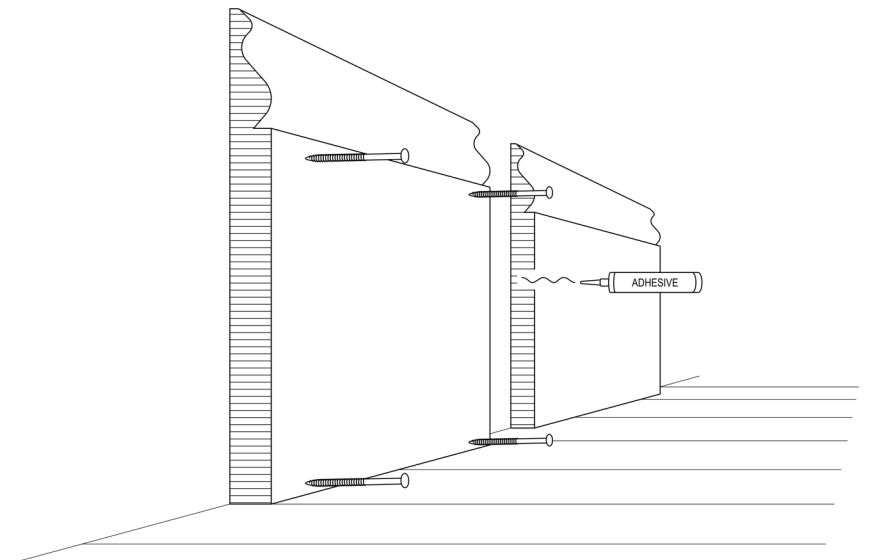
Mitering Corners

1. Place moulding in the miter box with the wall side against the side of the miter box opposite you and the ceiling touching side against the bottom of the box.
2. Cut miters and butt joints prior to installation.

Moulding Installation

1. Apply a continuous 1/2" bead of adhesive along the top and back of moulding lengths and universal corners. Press moulding into place.
2. Secure the moulding in place with finishing nails
3. Apply putty/filler in remaining gaps and smooth with finger or putty knife.
4. Touch-up moulding as needed and light sand areas with excess putty.

EXAMPLE INSTALLATION DIAGRAMS



We Can Help. Call (866) 607-0453



EKENA
MILLWORK

Industry leading manufacturer of urethane, PVC, wood, rustic, and metal millwork

www.ekenamillwork.com