

GenTent[®] **Generator Running Cover** for Open Frame Portable Generators



Product Safety & Installation Manual

WeatherProof Your Power[™]

Table of Contents

TABLE OF CONTENTS	2
IMPORTANT PRODUCT SAFETY	3
PACKAGE CONTENTS	4
ADAPT THE FRAME (IF NEEDED)	5
ASSEMBLE & INSTALL THE GENTENT CLAMPS.....	7
INSTALL THE GENTENT FRAME	111
COVER THE GENTENT CANOPY	12
INSTALL ELECTRICAL APRON	12
REFUELING DOOR.....	13
PROPER DOOR SEALING TIP.....	13
GENTENT GENERAC 15K / 17.5K INSTALLATION	14
GENTENT GENERAC XT8000E / XT8000EFI / XT8500EFI INSTALLATION	17
LIMITED WARRANTY	18
GENTENT ACCESSORIES AND SPARE PARTS CATALOG	19
REGISTER YOUR PURCHASE – ACTIVATE YOUR WARRANTY.....	20

Getting Help is Easy

E-mail your questions or pictures of your installation to

customercare@gentent.com

Call our customer support at 781-334-8368

Chat with us at www.gentent.com

Installation Guides, Videos & Addendums

Read specialty Installation addendums online. www.gentent.com/docs

Read this Manual Online www.gentent.com/manual

Installation Videos www.gentent.com/installation

Scan the QR codes throughout the manual for links and videos.

Follow us on Social Media

www.facebook.com/gentent

www.twitter.com/gententusa

www.instagram.com/gentent



IMPORTANT PRODUCT SAFETY

Please review these important safety warnings:

WARNING:

NEVER block or cover the generator exhaust muffler in any way. If the exhaust blows directly on the GenTent canopy, it is installed incorrectly.

WARNING:

NEVER use the GenTent on a generator whose muffler is openly exposed at the top of the generator. **These generators are disqualified and VOID the WARRANTY of the GenTent.**

WARNING:

NEVER use the GenTent on a generator on a moving vehicle or trailer.

WARNING:

ALWAYS shut generator off before any fueling or maintenance procedures.

WARNING:

NEVER position the GenTent refueling door on the same side of the generator as the exhaust muffler. Spilled gasoline can result in fire. Always use a funnel while refueling.

CAUTION:

DO NOT pull on the GenTent top cap open corners.

CAUTION:

ALWAYS grasp frame rods firmly during installation to avoid the whipping motion that can occur if a bent frame rod is mistakenly released.

CAUTION:

AVOID using your portable generator in forecast winds above 70mph.

IMPORTANT OPERATING NOTES

Please review these important operating notes:

NOTE:

Should the GenTent cover block pull starter, release the elastic straps on the pull starter side and temporarily lift GenTent canopy out of the way.

NOTE:

When using GenTent during snowstorms, periodically brush away any accumulation that blocks the top vent or surrounds the generator.

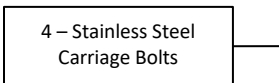
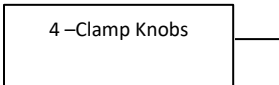
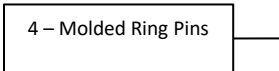
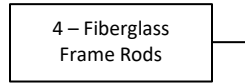
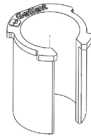
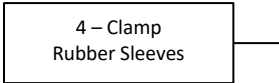
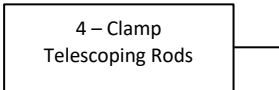
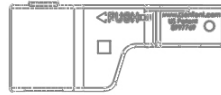
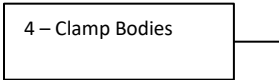
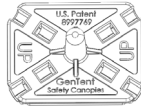
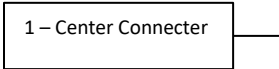
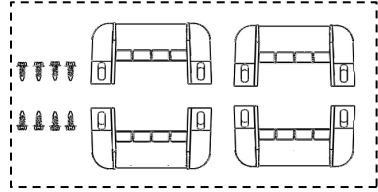
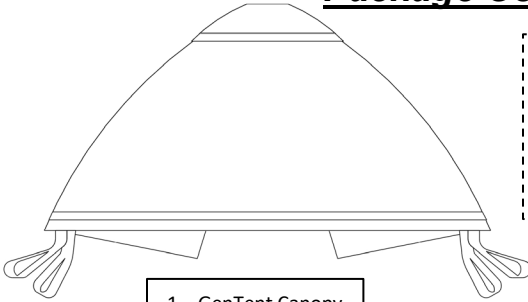
NOTE:

The bottom trim of the canopy should align at or slightly below where the fuel tank connects to the frame. This will prevent pooling water on the fuel tank and potential drippage toward the outlets. The electrical apron will cover down to the top of the clamp which should be positioned below the lowest electrical outlet.

NOTE:

Should generator handle cause significant stretching of the elastic straps when extended, release the elastics straps on the handle side of the generator before deploying generator handles. Once the generator is in the desired position, lower the handle, and refasten the elastic straps.

Package Contents



1. Adapt the Frame (if needed)

If your generator does not need adaptation skip ahead to “Assemble and Install the GenTent Clamps” on Page 7.

If you purchased the GenTent XL for a Generac GP12500, GP15000E, or GP17500 model, please refer to the “Generac 15k/17.5k Addendum” on Page 14.

Generators Which May Require Frame Adapter Installation

- Generators with squared vertical frame posts.
- Small generators with a frame perimeter between 76” & 80” inches for GenTent canopies OR between 106”-111” for GenTent XL canopies. (These can be round or squared vertical frame post)
- Generators with muffler heat shield attached to the frame.
- Generators with panels or crossbars that blocks the GenTent clamp from directly connecting to the vertical frame posts.

NOTE
A drill and a 5/32” bit will be required

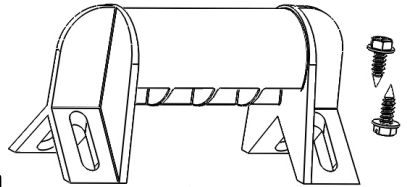


Fig. 1.1

NOTE
Not all frame adaptations will require the use of all 4 GTUs adapters

Adapting the Frame

- a. Place the top screw hole slot of the GTU (Fig. 1.2) approximately 9” below where the gas tank meets the frame, **OR** 1/2” above the lowest electrical outlet (**whichever location is lower on the generator frame**). These positions will ensure optimal placement for the GenTent Clamp (page 9, section h.).

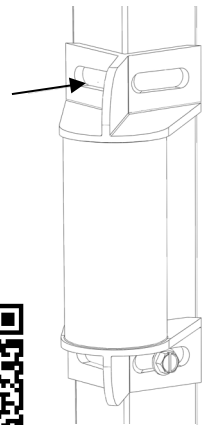


Fig. 1.2

NOTE
Zip ties can be used for temporary mounting of the GTU in order to mark the correct mounting location.



- b. With the GTU in the desired position, mark the generator frame centered inside one of the top screw hole slot on the GTU. Then mark the center of the screw hole slot diagonally across from the first. (Fig. 1.2)

NOTE
Select screw hole slot based on which gives the most clearance for the drill operation.

- c. Using a 5/32" drill bit, drill one hole centered on each of the marks made on the generator frame. (Fig. 1.2)
- d. Using the provided sheet metal screws and a 5/16" nut driver, or flat head screwdriver attach the GTUs to the frame of the generator securely. (Fig. 1.3)

Installing GenTent Clamp onto GTU Adapter

- e. Once the GTU adapters have been installed, install the rubber sleeve and GenTent clamps by following the process described in section 2. "Assemble and Install the GenTent Clamps".
- f. Figure 1.3 Shows the GTU installed to a square tube frame with the rubber sleeve installed with the mouth of the sleeve facing away from the generator.
- g. Figure 1.4 shows the GenTent Clamp installed onto the GTU.

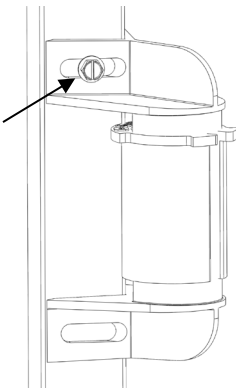


Fig. 1.3

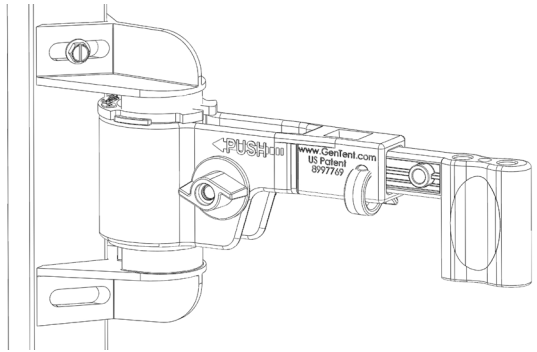


Fig. 1.4

2. Assemble and Install the GenTent Clamps

Assemble Clamp Parts (Fig 2.1)

- a. Slide telescoping clamp rod into clamp body, insert a molded ring pin to hold the telescoping rod in place.
- b. Push carriage bolt through one side of clamp and through the clamp body.
- c. Loosely install clamp knob onto carriage bolt. The knob can be installed on either side of the clamp; whichever is the least obstructed by the generator frame.
- d. Retain rubber sleeve for step h. "Install clamp on generator frame".

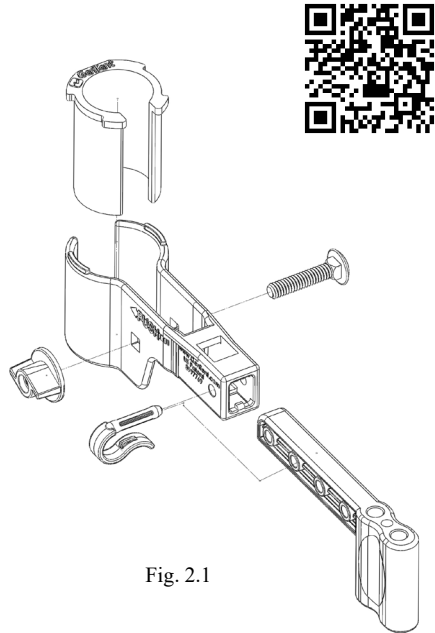


Fig. 2.1

Set Rod Adjustment Pin

- e. Measure the length and width of your generator frame. Measure only the outside edge of the vertical frame post to vertical frame post. **DO NOT** include the measurement of wheels or handles.
 1. If you are mounting on to the GTU Frame Adapters, you will measure from GTU Frame Adapter to Frame Adapter.
- f. Use the Easy Adjustment Guide to reference the appropriate clamp setting for your GenTent (page 8).
- g. Match the measured length and width of your generator to the Easy Adjustment Guide to determine the pin set number. Adjust the telescoping rod to the appropriate hole and install the molded ring pin to secure. (Fig 2.2)



GenTent Clamp Easy Adjustment Guide

	Frame Length																		
	22	23.5	24	24.5	25	25.5	26	26.5	27	27.5	28	28.5	29	29.5	30	30.5	31	31.5	
F	3	3	3	3	3	2	2	2	2	1	1	1	1	0	0	0	0	0	0
r	4	3	3	3	3	3	2	2	2	2	1	1	1	1	0	0	0	0	0
r	4	4	3	3	3	3	2	2	2	2	1	1	1	1	0	0	0	0	0
a	4	4	4	3	3	3	3	2	2	2	2	1	1	1	1	0	0	0	0
m	4	4	4	4	3	3	3	3	2	2	2	2	1	1	1	0	0	0	0
e	20	4	4	4	4	3	3	3	3	2	2	2	2	1	1	0	0	0	0
W	19.5	4	4	4	4	3	3	3	3	2	2	2	2	2	1	1	0	0	0
i	18.5	4	4	4	4	4	4	3	3	3	3	2	2	2	2	1	1	0	0
d	18	4	4	4	4	4	4	4	4	3	3	3	2	2	2	2	1	1	1
t	17.5	4	4	4	4	4	4	4	4	3	3	3	2	2	2	2	1	1	1
h	17	4	4	4	4	4	4	4	4	3	3	3	3	2	2	2	1	1	1
16.5	4+GTU	4	4	4	4	4	4	4	4	4	3	3	3	2	2	2	2	1	1
16	4+GTU	4+GTU	4	4	4	4	4	4	4	4	3	3	3	3	2	2	2	1	1

GenTent XL Clamp Easy Adjustment Guide

	Frame Length																	
	31	31.5	32	32.5	33	33.5	34	34.5	35	35.5	36	36.5	37	37.5	38	38.5	39	
F	4	4	4	4	3	3	3	3	2	2	2	1	1	1	1	0	0	0
r	4	4	4	4	4	3	3	3	3	2	2	2	2	1	1	1	1	0
r	4	4	4	4	4	3	3	3	3	2	2	2	2	2	1	1	1	0
a	26	4	4	4	4	4	4	3	3	3	2	2	2	2	1	1	1	1
m	25.5	4	4	4	4	4	4	3	3	3	2	2	2	2	1	1	1	1
e	25	4	4	4	4	4	4	4	3	3	3	3	2	2	2	2	1	1
W	24.5	4	4	4	4	4	4	4	4	3	3	3	3	2	2	2	1	1
W	24	4+GTU	4	4	4	4	4	4	4	4	3	3	3	2	2	2	2	1
i	23.5	4+GTU	4+GTU	4	4	4	4	4	4	4	4	3	3	3	2	2	2	2
d	23	4+GTU	4+GTU	4+GTU	4	4	4	4	4	4	4	3	3	3	3	2	2	2
t	22.5	4+GTU	4+GTU	4+GTU	4	4	4	4	4	4	4	4	4	3	3	3	2	2
h	22	4+GTU	4+GTU	4+GTU	4+GTU	4	4	4	4	4	4	4	4	3	3	3	3	2
21.5	4+GTU	4+GTU	4+GTU	4+GTU	4+GTU	4+GTU	4	4	4	4	4	4	4	4	3	3	3	2
21	4+GTU	4+GTU	4+GTU	4+GTU	4+GTU	4+GTU	4+GTU	4	4	4	4	4	4	4	4	3	3	3

GenTent Clamp Settings

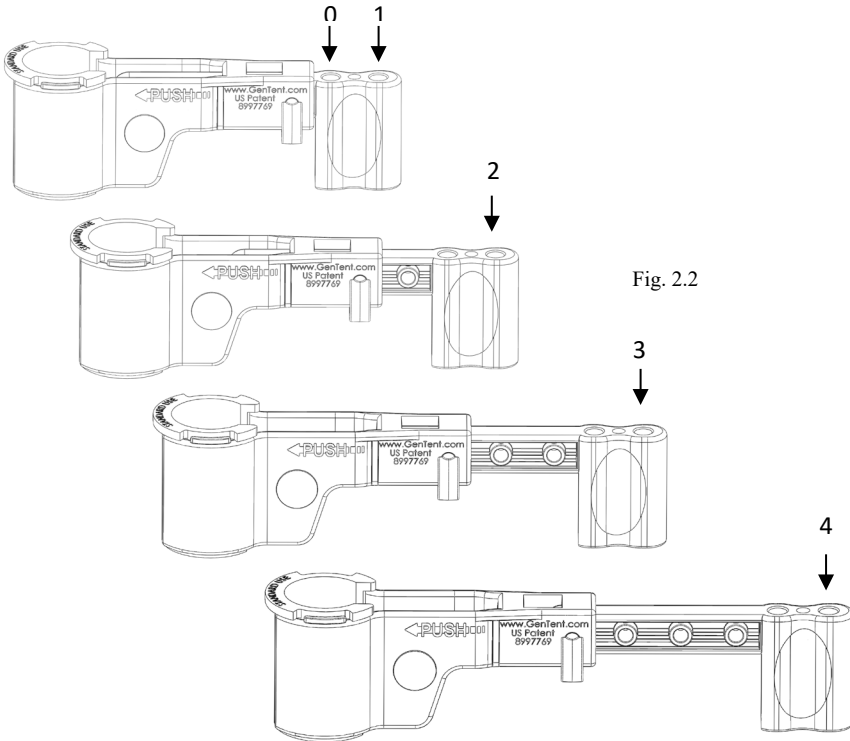


Fig. 2.2

NOTE

When installing frame rods for settings 2,3 & 4 the frame rod should be put into the outermost hole. Setting 0 and 1 are the same clamp setting, the frame rod hole for setting 0 is the inner one (closest to the generator) and frame rod hole for setting 1 is the outer one (furthest from the generator).

Install Clamp on Generator Frame

- h.** If installing on a GTU adapter (page 5), clamp direct to GTU post. Otherwise position the top edge of the rubber sleeve at one of the following positions:

1. 9" below where the gas tank meets the frame, or
2. 1/2" below the lowest electrical outlet.

(whichever location is lower on the generator frame)



- i. Slip rubber sleeve around the vertical frame post or GTU adapter, turning the rubber sleeve so the opening faces away from the generator. (Fig. 2.3 or 1.3) Select installations may not allow the rubber sleeve mouth face outward, this is Ok.
- j. Push clamp opening straight onto frame, below the rubber sleeve. (Fig. 2.4) Then slide clamp up and over the rubber sleeve. (Fig. 2.5) This allows you to install the clamp without pulling the clamp mouth open.
 - 1. When installing onto a GTU adapter you will need to loosen the GenTent clamp hardware and push the clamp directly onto the rubber sleeve. (Fig 1.4)
- k. Position clamp diagonally from generator frame typically at 45 degrees.
- l. Tighten the clamp knob, this usually requires only 2-3 full turns once you feel resistance against the clamp body.
- m. Repeat procedure on remaining three sides: position clamps at the same height.

NOTE

Over-tightening the clamp knob should be avoided.

If you notice the mouth of the clamp pulling away from the vertical frame post, you have over-tightened, and the knob should be loosened.

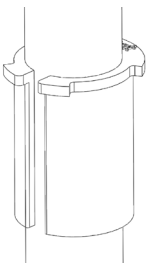


Fig. 2.3

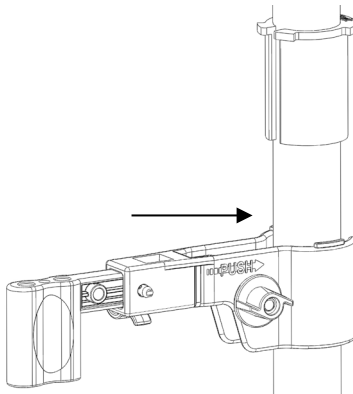


Fig. 2.4

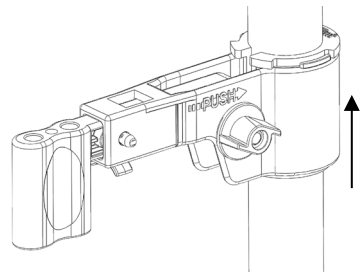


Fig. 2.5

3. Install the GenTent Frame

- a. Orient the center connector with the vent pin up and position the central connector to match generator alignment, short and long sides, respectively.
- b. Insert the first frame rod into the center connector, ensuring it is seated all the way into the connector. (Fig. 3.1).

Always insert the frame rod into the center connector before inserting it into the clamp.

- c. Insert the other end of the frame rod fully into the corresponding clamp hole position. (Fig. 3.2)



CAUTION

Always grasp frame rods & center connector firmly during installation to avoid the whipping motion that can occur if a bent fiberglass rod is mistakenly released.

- d. Install the frame rods into the center connector in a crisscross pattern. Always be sure to grasp the free end of the frame rod firmly. Then bend the free end towards the clamp and insert fully into the correct hole.
- e. Repeat for remaining frame rods.
- f. Check the clamps; the frame rods should be fully seated into the clamps. (Fig. 3.3) The clamp may exhibit a slight upward lean; this is due to the force being applied to the clamp by the fiberglass rods.

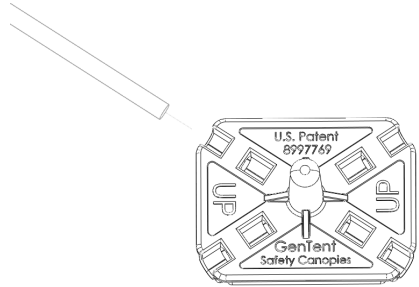


Fig. 3.1

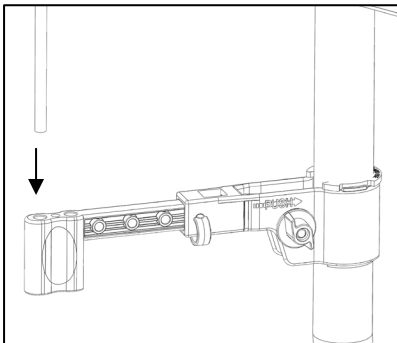


Fig. 3.2

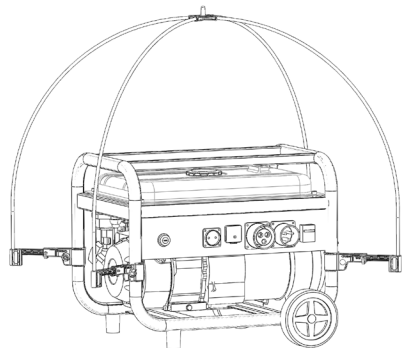


Fig. 3.3

4. Cover the GenTent

- a. Grasping the GenTent by the center of the top cap, open the GenTent canopy and place it onto the GenTent frame. **Do not pull the open corners of the top cap**; these are for ventilation.
- b. Place the GenTent canopy on the frame. Center the top cap on the center connector pin. (Fig. 4.1)
- c. Ensure the GenTent canopy coverage is generally equal and level.

WARNING

Never position the refueling door on the same side of the generator as the exhaust muffler. Spilled gasoline can result in fire.

- d. Slide one corner elastic under the clamp telescoping rod and set between the knob and the molded ring pin. (Fig. 4.2)
- e. Repeat on opposite corners.
- f. Review and adjust canopy if necessary, to ensure it is level.

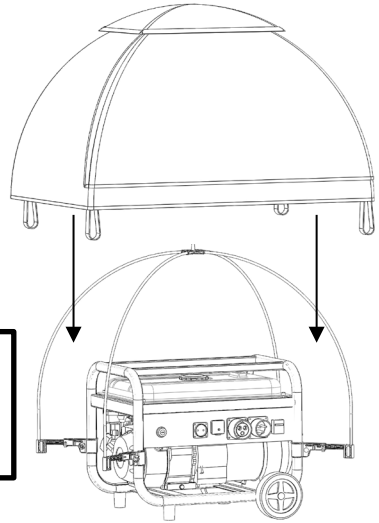


Fig. 4.1



Install the Electrical Panel Apron

- a. Along the bottom edge of the GenTent canopy is an over-flap. Flip up the over-flap from corner to corner above the electrical outlets. This will reveal a trim of hook and loop. (Fig. 4.3)
- b. Center the electrical panel apron in front of the generator electrical panel and press the apron firmly onto the hook and loop. The apron can be adjusted to the left or right in order that it stays a minimum 4 inches away from the exhaust. **Do not block the exhaust!**

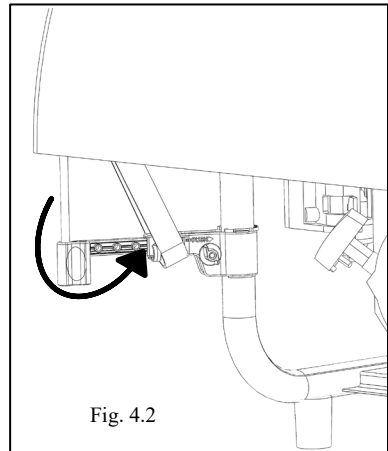


Fig. 4.2

- c. Flip the over-flap down and over the electrical apron. This will ensure water runs over the front of the apron, keeping the electrical outlets dry.

WARNING

GenTent canopy must be installed above generator exhaust muffler. Install GenTent electrical panel apron such that it cannot block exhaust in any way.

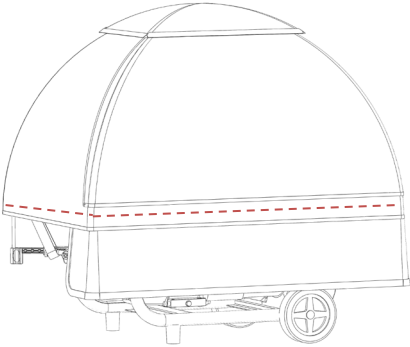


Fig. 4.3

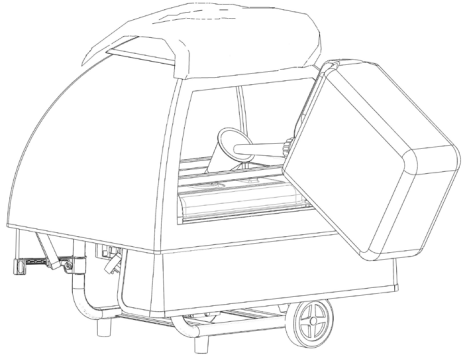


Fig. 4.4

Refueling Door

The GenTent refueling door is designed to allow you to easily refuel your generator without removing the GenTent. After use, the refueling door must be wrapped around the side and pressed firmly back in place. Failure to reseal the door may allow water to seep into the canopy. (Fig. 4.4)

Proper door sealing technique:

- Align the hook and loop at the bottom of the refueling door and press in place.
- Press the refueling door around the canopy and slide your hands to the bottom while applying pressure to seal the door.

Clear Electrical Panel Apron (Option, Not Included)

The Clear Electrical Panel Apron is an optional alternative to the opaque electrical panel apron that comes with your GenTent and is installed in the same way. For larger generators, or generators with a longer electric panel, the clear and opaque aprons can stack on top of each other to extend the panel coverage further down the generator.

NOTE

The intent of the Electrical Apron is to cover the electrical outlets in the front & wrap around the adjacent sides to protect against sideways rain. **Additional aprons should never be wrapped around the generator while in use.**

GenTent® **Generac 15k/17.5k Installation**

WHAT YOU WILL NEED

- 1/2" socket or open-end wrenches
- 5/16" socket or open-end wrenches
- (optional) 5/32" drill bit and 5/16" nut driver or screwdriver
- This guide

Optional:

Either: 5/16" x 2" Clevis Pins with Retainer or Quick Detach Pins

Or: GenTent folding handle kit
<https://www.gentent.com/portable-generator-folding-handles-kit/>



Installing GTUs on your Generac

Installing your GenTent on your Generac GP15k or GP17.5k requires that you install two GTU frame adapters flush to the panel. These simple directions will help you ensure a proper setup.

- Remove one of the top bolts which secures the electrical panel to the frame using the 5/16" socket and/or open-end wrenches (Fig 5.1.)
- Position one GTU flush over the electrical panel, align the hole and re-install the bolt through the GTU, the electrical panel and the frame (Fig 5.2.)
- Note that the two GTU's included will have holes that are opposite each other (a Left and a Right), or will have all four holes open
- Optionally, drill a 5/32" hole through the frame where the bottom hole aligns with the frame and install the included #12x3/4" sheet screw

Fig.5.3 shows a GenTent clamp subsequently installed onto the GTU.



Fig. 5.1



Fig. 5.2

Converting your Handles

The handle of these generators are attached to the frame with 4 carriage bolts. You must replace these bolts with either quick detach pins (Fig 5.4 & 5.5) **OR** GenTent universal folding handles. (Fig 5.6-8) The GenTent should be initially installed with the handles off the generator.

Convert Handles to Quick Detach Pins

This option allows the handles to be quickly detached/re-attached. Fig 5.4 & 5.5 show two different types of quick detach pins, a clevis pin in Fig 5.4 with a hitch pin clip, and a quick detach ring pin in Fig 5.5, available at most hardware stores. You will need four (4) 5/16" x 2" pins.



Fig. 5.3

To move the generator, remove the elastic from the left and right of the electrical panel and lift the canopy up. Install the handle with the quick detach pins and move the generator. When it becomes time to use the generator, move it into place outdoors, remove the handles and put the elastics back in place under the GenTent clamps to the left and right of the electrical panel.



Fig. 5.4



Fig. 5.5

Install GenTent Folding Handles

<https://www.gentent.com/portable-generator-folding-handles-kit/>

GenTent folding handles are a simple bolt-in replacement to the fixed handles provided with your generator.

To install these handles, remove the fixed handles from the generator. There are four bolts that hold the handle in place. Install the folding handles in the top and tighten. The universal handles accommodate frame diameters from 1" to 1.5". Be sure to tighten the handles until the flanges press against the frame.

Fig. 5.6

Fig. 5.7

Fig. 5.8



Folding handles
product page &
installation video.

GenTent® Generac XT8000E / XT8000EFI / XT8500EFI Installation

Generac recently changed the size of their frame and the electric panel for this model. In order to attach the GenTent®, you will slightly adjust installation for one corner attachment.

The adjustment will be for one clamp which connects under the left-hand side of your electric panel, where the electric panel cuts down low (under the Generac logo) in the event the clamp & rubber sleeve will not fit properly (Fig. 6.1).

Fig. 6.1



1. Remove the bolt on the back /bottom of that panel. (Fig. 6.2)
2. Pull the electric panel forward and slide the rubber sleeve onto the vertical post with the opening out. (Fig. 6.3 & Fig. 6.4)
3. Slide clamp over the vertical frame post, then slide clamp up and under the loose electric panel. (Fig. E)
4. Mount the clamp at a 45° angle. (Fig. 6.6)
5. Re-fasten your generator electric panel and bolt. (Fig. 6.2)

TOOLS NEEDED:

13mm open end, box, or socket wrench

INSTALLATION OVERVIEW:

The process should take approximately 5 minutes:

Install GenTent Clamps: Under front left panel and remaining as normal.

Install GenTent Frame: As normal.

Install GenTent Canopy: As normal

Fig 6.2



Fig. 6.3

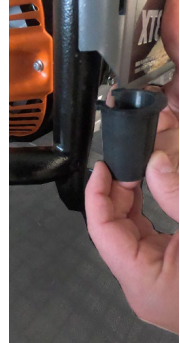


Fig 6.4



Fig. 6.5

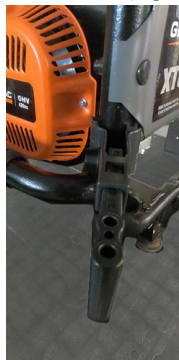


Fig. 6.6

The remaining clamps and GenTent® Installation will continue along the steps of the standard GenTent® Installation Manual.

For additional assistance, questions, or follow up please contact GenTent® Safety Canopies.

Tel: 781-334-8368

E-mail:

customercare@gentent.com

Limited Warranty

What is Covered

This warranty covers any defects in materials or workmanship of the GenTent® Safety Canopy under normal use in forecast winds up to seventy mph and snow loads up to eighteen inches, with the exceptions stated below.

How Long Coverage Lasts

The warranty runs from the date on your GenTent® order receipt. Warranty period is one (1) year for GenTent Standard, (2) years for GenTent Plus and (3) years for GenTent Extreme purchases. Warranty period for all accessories is one (1) year.

What is not Covered

This warranty does not cover issues resulting from improper installation or issues resulting from not adhering to the Warnings and Cautions as stated in this GenTent Product Installation and Safety Manual. This warranty does not cover fading or discoloration caused by exposure to sunlight or chemicals, slight fabric color mismatches, or deterioration due to exposure to chemicals. This warranty does not cover abuse, misuse, or neglect including, but not limited to; lost parts, over tightening clamps, blocking a running portable generator exhaust with parts of the GenTent, or rips, tears or breaks due to sharp and/or heavy and/or falling objects. This warranty does not cover issues arising because of modifications made to your portable generator or to the GenTent® that have not been specified by the manufacturer.

GenTent products or components returned without an RMA and proof of purchase are not covered (see How to Get Service). Also, consequential, and incidental damages are not recoverable under this warranty. Some states do not allow the exclusion or limitation of incidental or consequential damages, so the above limitation or exclusion may not apply to you.

What GenTent Safety Canopies LLC Will Do

During the term of this Warranty, GenTent Safety Canopies, LLC will repair any GenTent canopy or replace any GenTent frame or clamp component that proves to be defective in materials or workmanship. In the event repair of a GenTent canopy is not possible, GenTent Safety Canopies will replace your GenTent canopy with a new GenTent canopy of similar composition and price.

How To Get Service

Contact GenTent Safety Canopies LLC by emailing customercare@gentent.com, calling **781-334-8368** or writing us at the address below to discuss your Warranty concern and obtain a RMA (return materials authorization). You must provide a copy of the original receipt or packing slip that you received as part of your purchase.

GenTent Safety Canopies, LLC
Attn: Customer Warranty Service
99 Pine Road
Brentwood, NH 03833

How State Law Applies

This warranty gives you specific legal rights, and you may also have other rights, which vary from state to state.

GenTent Accessories and Spare Parts Catalog

GenTent accessories are available at: www.gentent.com/accessories

Spare parts are available at: www.gentent.com/spares

GenTent® **GenTent**® Accessory Bonus!

Buy any TWO (2) or more accessories
receive \$10 OFF your order!

Visit GenTent.com/ReturnBonus or Call 781-334-8368



**GenTent Inverter Mounting Kit
For Fully Encased Generators**



**GenTent Universal Mounting Kit
For Open Frame Generators**



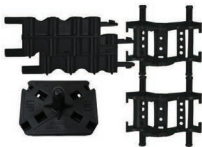
**GenTent Clear Vinyl
Electrical Apron**



**GenTent Universal
Generator Folding Handles**



**GenSkirt Outside
Storage Conversion**



**GenTent Inverter
Generator Spares Kit**



GenTent Storage Bag



**GenTent Portable
Generator Spares Kit**

GT-INSERT-UNV

Register Your Purchase – Activate Your Warranty

Note: If you purchased directly at GenTent.com, your purchase is already registered and completing this registration document is not required!

Complete your registration online at www.gentent.com/register or fill out this card and mail to:

GenTent Safety Canopies
Attn: Product Registration
99 Pine Road
Brentwood, NH 03833

Your Information:

Name: _____

E-Mail Address: _____

Address: _____

City: _____

State/Province: _____

Country: _____

Zip/Postal Code: _____

Phone Number: _____

Purchase Information:

GenTent Purchase Date: ____ / ____ / ____ (mm/dd/yyyy)

Where did you purchase the GenTent?

Generator Make: _____

Generator Model: _____

In addition to activating your product warranty, registering allows us to keep in contact with you from time to time with important product updates, generator safety tips and special offerings for registered customers. Please note we never share your contact information.