



# Z5551-K

TAG \_\_\_\_\_

Z-HPT™ High Performance, 1.6 GPF, ADA,  
Elongated, Siphon Jet Toilet



## Z5551-K Series

- 1.6 gpf (gallons per flush)
- Vitreous china
- 3" Flush valve for powerful flushing
- Chrome plated metal handle
- Elongated front rim
- High performance siphon-jet design
- ADA Height
- Extra large foot print for easy retro-fit
- 2 1/8" Fully glazed trapway
- Chloramine resistant internal components
- Maximum performance (MaP) score of 1000g
- Concealed sanitary bar
- 2 1/2" Trap seal
- Water surface 9" x 11"
- Includes bolt caps
- Shipping weight: 92 lbs.

### Z5555-K Series

#### Suffix Options:

- IN** Insulated Tank
- RH** Vitreous China right-hand lever tank
- VL** Vitreous China lid with vandal-proof lockdown

#### Recommended Trim:

- Z5958SS-EL** Elongated, white, closed front toilet seat with cover & stainless steel check hinge.
- Z5972-COMB** Closet bolt & wax ring kit.
- Z8800-CR** Standard stop with flexible closet riser.

#### Optional Trim

- Z5975-FLO-JR**  
PVC Flo-Bowl Jr. closet flange kit

*These dimensions and specifications are subject to change without notice.*

*Fixture dimensions meet ANSI/ASME standard A112.19.2 and CAN/CSA B45 requirements.*

*Meets the American Disabilities Guidelines and ANSI A117.1 requirements when installed per code.*

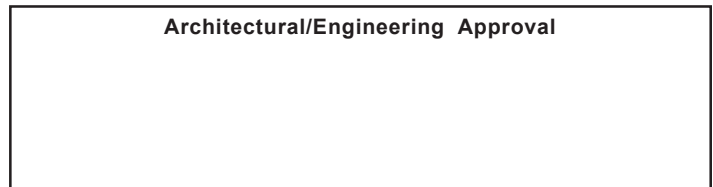


#### Engineering Specification:

- Z5551-K** Vitreous china, two piece, 1.6 gpf [6 Lpf] low consumption, high performance siphon-jet toilet with 3" flush valve, elongated 16 1/8" ADA compliant rim and 12" standard rough-in.

Note: Call for availability of multiple suffix options.

See Zurn One Systems for suggested packages.



The information contained in this document is subject to change without notice.  
Please contact Zurn for most up to date information.

ZURN INDUSTRIES, INC. ♦ COMMERCIAL BRASS OPERATION ♦ 5900 ELWIN BUCHANAN DRIVE ♦ SANFORD NC 27330  
Phone: 1-800-997-3876 ♦ Fax: 919-775-3541 ♦ World Wide Web: www.zurn.com  
In Canada: ZURN INDUSTRIES LIMITED ♦ 3544 Nashua Drive ♦ Mississauga, Ontario L4V1L2 ♦ Phone: 905-405-8272 Fax: 905-405-1292

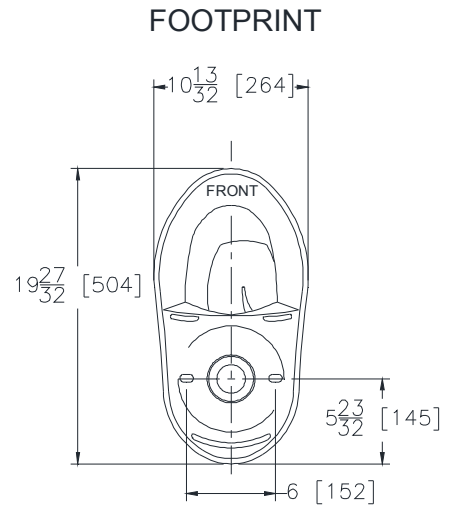
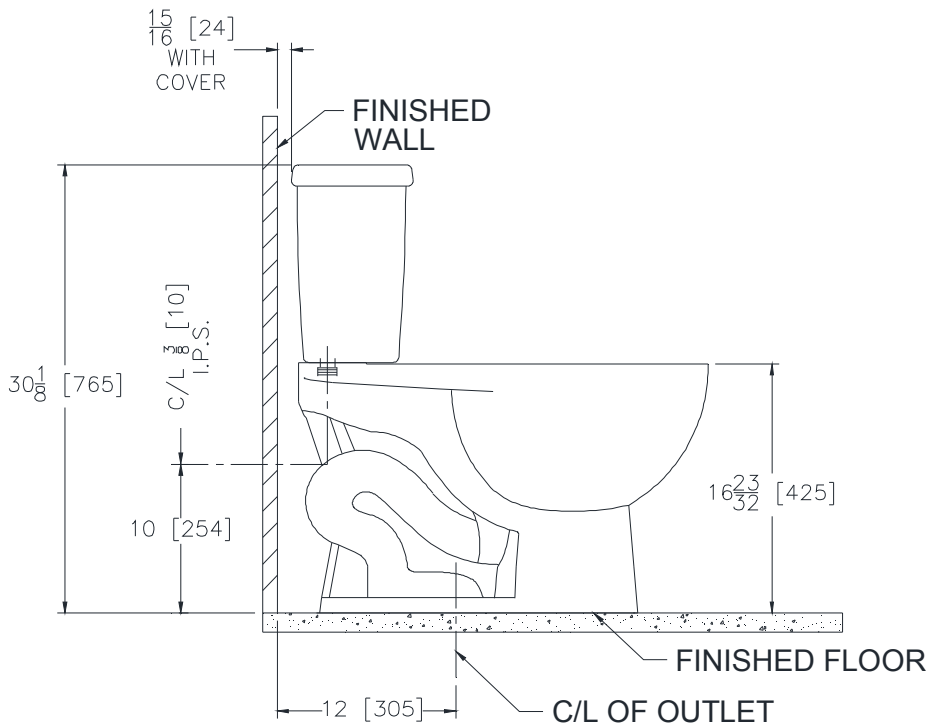
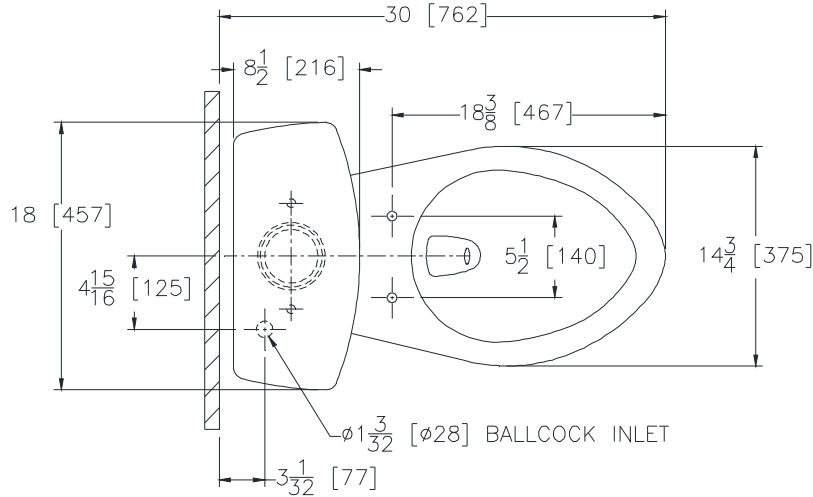


# Z5551-K

TAG \_\_\_\_\_

Z-HPT™ High Performance, 1.6 GPF, ADA,  
Elongated, Siphon Jet Toilet

## Rough-in Dimensions for Z5551-K Series



These dimensions and specifications are subject to change without notice.

Fixture dimensions meet ANSI/ASME standard A112.19.2 and CAN/CSA B45 requirements.

Meets the American Disabilities Guidelines and ANSI A117.1 requirements when installed per code.



ZURN INDUSTRIES, INC. ♦ COMMERCIAL BRASS OPERATION ♦ 5900 ELWIN BUCHANAN DRIVE ♦ SANFORD NC 27330  
Phone: 1-800-997-3876 ♦ Fax: 919-775-3541 ♦ World Wide Web: www.zurn.com  
In Canada: ZURN INDUSTRIES LIMITED ♦ 3544 Nashua Drive ♦ Mississauga, Ontario L4V1L2 ♦ Phone: 905-405-8272 Fax: 905-405-1292