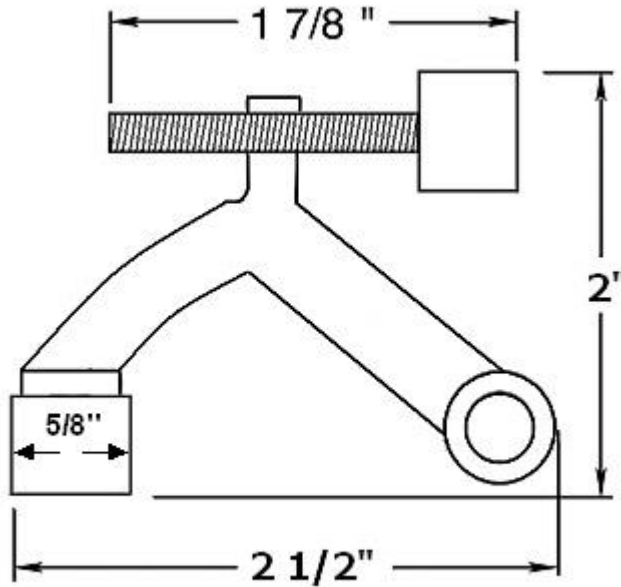


Product Data Sheet  
Premium Grade Solid Brass  
**Hinge Pin Stop**  
Item# 13029



**Dimensions:**

- 2-1/2" x 2"
- Adjustable door swing radius
- Weight: 2-1/2 oz.

*Dimensions are for reference use only.  
For exact dimensions, please measure actual part.*

**Product Description & Features:**

The idh by St. Simons Hinge Pin Stop is made with genuine hot forged solid brass and finished off with a premium hand polished finish. This door stop is a timeless, period authentic reproduction that has been around nearly 100 years. Combining its simplistic, elegant design, along with robust build quality, there's no need to look further.



**Catalog Section: D**

**Hinge Pin Stop**

**Item# 13029**

**Date: Rev 01/18**