



SKU/THD.com #1002 541 364
Model # HOLC6214BB1MYS

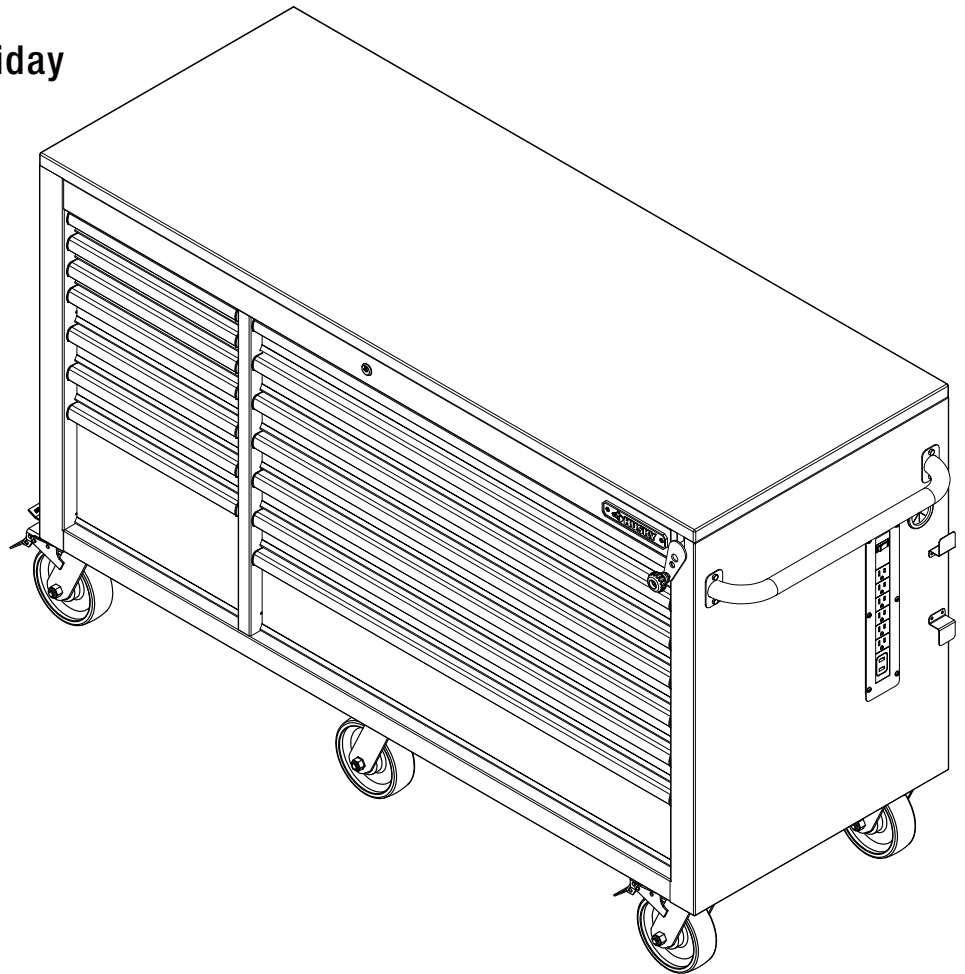
USE AND CARE GUIDE

HUSKY HD 62 IN. 14-DRAWER ADJUSTABLE TOP MOBILE WORKBENCH

Questions, problems, missing parts?
Before returning to the store, call
Husky Customer Service
8 a.m. - 7 p.m., EST, Monday-Friday
9 a.m. - 6 p.m., EST, Saturday

1 888 HD-HUSKY

HUSKYTOOLS.COM



THANK YOU

We appreciate the trust and confidence you have placed in Husky through the purchase of this mobile workbench. We strive to continually create quality products designed to enhance your home. Visit us online to see our full line of products available for your home improvement needs. Thank you for choosing Husky!

Table of Contents

Table of Contents	2
Safety Information	2-3
Warranty	3
Pre-Assembly	4
Tools Required	4
Hardware Included	4
Specifications	4
Package Contents	5

Assembly	6
Operation	7
Maintenance	8
Care and Cleaning	8
Service Parts	9

Safety Information

1. Do not open more than one drawer at a time.
2. Do not let children approach the product.
3. To help prevent the product from tipping, load the product starting with the bottom drawers.
4. Keep the locking casters' brake set unless you are moving the cabinet. This will help to prevent the product from rolling.
5. Lock all drawers before moving the product.
6. Make sure all drawers close tightly before locking/unlocking.
7. Do not step in any drawer/drawers.
8. When moving this product, push it rather than pull it.
9. Do not alter this product in any manner.

Plug and Outlet Safety



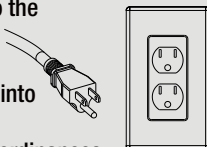
WARNING: Chest/cabinet plugs must match the outlet. Never modify the plug in any way. Do not use any adapter plugs with earth (grounded) chest/cabinet power strips. Unmodified plugs and matching outlets will reduce risk of electric shock.



WARNING: Avoid body contact with earthed or grounded surfaces such as pipes, radiators, ranges and refrigerators. There is increased risk of electric shock if your body is earthed or grounded.



WARNING: Chests/cabinets marked "Grounding Required" have a power strip with a three wire cord and three prong grounding plug. The plug must be connected to a properly grounded outlet (See Figure). If the power strip should electrically malfunction or break down, grounding provides a low resistance path to carry electricity away from the user, reducing the risk of electric shock. The grounding prong in the plug is connected through the green wire inside the cord to the grounding system in the power strip. The green wire in the cord must be the only wire connected to the power strip's grounding system and must never be attached to an electrically "live" terminal. Your power strip must be plugged into an appropriate outlet, properly installed and grounded in accordance with all codes and ordinances.



DANGER: Do not stand on this product. You may fall or cause the product to tip.



DANGER: Do not move the product prior to closing and locking all the drawers. The drawers could come open and make the product unstable and tip.



DANGER: Do not mount this product on a truck bed or any other moving object.



WARNING: Keep the product on a level surface. The product may become unstable and tip if stored or moved on an uneven surface.



CAUTION: Do not lift this product directly with a forklift or tow with any mechanical devices.



CAUTION: Do not exceed the maximum weight loading capacity of elevating wood top or drawers. See Specifications on page 4.



CAUTION: Only transport this product when empty. Properly secure when transporting.



CAUTION: Remove hands and objects when lowering the wood top to avoid pinching or crushing.



CAUTION: Clear all obstructions in top tray areas before lowering the wood top to avoid damage to your items or this product.

Safety Information (continued)

This device complies with Part 15 of the FCC Rules. Operation is subject to the following two conditions: (1) This device may not cause harmful interference, and (2) This device must accept any interference received, including interference that may cause undesired operation.



NOTE: This equipment has been tested and found to comply with the limits for a Class B digital device, pursuant to Part 15 of the FCC Rules. These limits are designed to provide reasonable protection against harmful interference in a residential installation. This equipment generates, uses and can radiate radio frequency energy and, if not installed and used in accordance with the instructions, may cause harmful interference to radio communications. However, there is no guarantee that interference will not occur in a particular installation. If this equipment does cause harmful interference to radio or television reception, which can be determined by turning the equipment off and on, the user is encouraged to try to correct the interference by one or more of the following measures:

- Reorient or relocate the receiving antenna.
- Increase the separation between the equipment and receiver.
- Connect the equipment into an outlet on a circuit different from that to which the receiver is connected.
- Consult the dealer or an experienced radio/TV technician for help.



WARNING: Changes or modifications to this unit not expressly approved by the party responsible for compliance could void the user's authority to operate the equipment.



CAUTION: Do not use the side handle as a point of leverage to lift the unit off of the ground. Handle is not intended to withstand the force of vertical lifting, and is only designed to aid in the movement of unit around on casters. Failure to adhere to this warning may cause handle to break and cause personal injury and/or product damage.

The Responsible party information:

Clearwater Metal Vn JSC

Lot CN2, Mai Trung IZ, An Tay Village, Ben Cat Town, Binh Duong Province, Vietnam. Tel: +84.274.3581.773

Product name: Power strip 6 outlets with 2 USB ports
Model# K2415009 / K2415014 / K2415021

Warranty

The manufacturer warrants the product to be free from defects in materials and workmanship for a period of five (5) years from date of purchase. This warranty applies only to the original consumer and only to products used in normal use and service. If this product is found to be defective, the manufacturer's only obligation, and your exclusive remedy, is the repair or replacement of the product at the manufacturer's discretion, provided that the product has not been damaged through misuse, abuse, accident, modifications, alteration neglect or mishandling. This warranty shall not apply to any product that is found to have been improperly installed, set-up, or used in any way not in accordance with the instructions supplied with the product. This warranty shall not apply to a failure of the product as a result of an accident, misuse, abuse, negligence, alteration, faulty installation, or any other failure not relating to faulty material or workmanship. This warranty shall not apply to the finish on any portion of the products such as surface and/or weathering, as this is considered normal wear and tear.

The manufacturer does not warrant and specifically disclaims any warranty, whether express or implied, of fitness for a particular purpose, other than the warranty contained herein. The manufacturer specifically disclaims any liability and shall not be liable for any consequential or incidental loss or damage, including but not limited to any labor/expense costs involved in the replacement or repair of said product.

Contact the Customer Service Team at 1-888-HD-HUSKY or visit www.huskytools.com.

Pre-assembly

TOOLS REQUIRED



Phillips
screwdriver



Safety
goggles

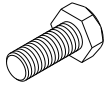
HARDWARE INCLUDED



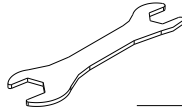
NOTE: Hardware not shown to actual size.



AA



BB



CC

Part	Part Code	Description	Quantity
AA	L031132A	Bolt M4 x 10L	4
BB	L031114F	Bolt M6 x 15L	4
CC	L3011002	10MM/13MM Wrench	1

SPECIFICATIONS

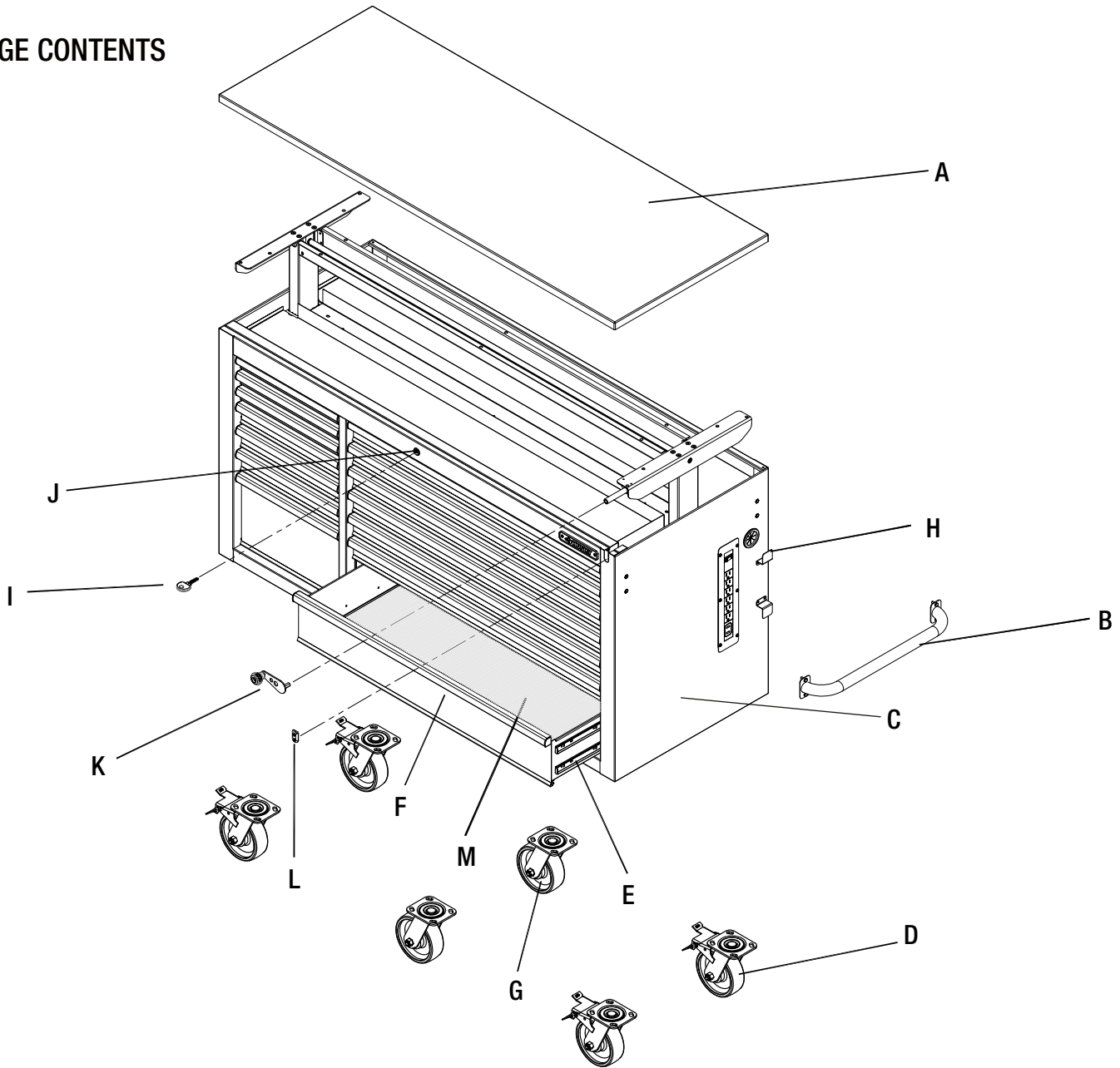
Maximum capacity (drawer)	120 lbs
Maximum capacity (bottom deep drawers)	240 lbs
Maximum capacity (elevating wood top)	300 lbs
Maximum capacity (total unit)	2,500 lbs



NOTE: Begin product assembly close to the final intended location of your mobile workbench. This product is heavy and may be difficult to move after assembly.

Pre-assembly (continued)

PACKAGE CONTENTS



Part	Description	Quantity
A	Wood top	1
B	Side handle	1
C	Rolling cabinet	1
D	Swivel caster with brake	4
E	Drawer slide 120 lbs (pair)	16
F	Drawer	14
G	Swivel caster	2
H	Power strip bracket	2
I	Key (set)	1
J	Lock	1
K	Crank handle	1
L	Crank cap	1
M	Drawer liner	14

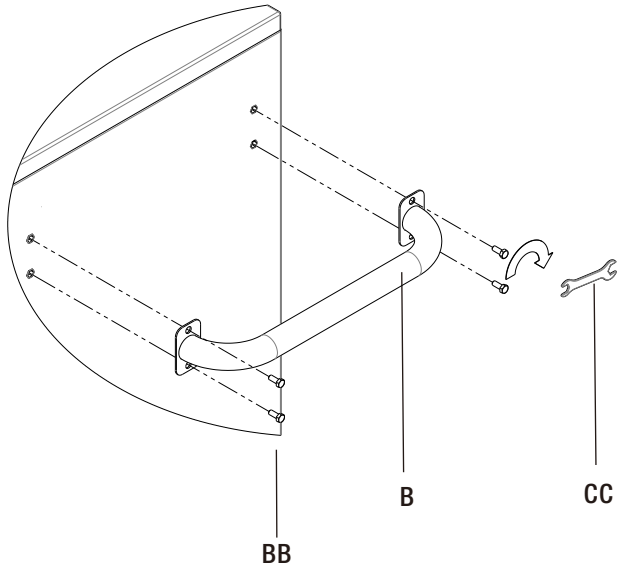
Assembly

1 Attaching the side handle

- Attach the side handle (B) to the cabinet using four bolts (BB).
- Tighten all bolts with the 10 mm wrench (CC).
Do not over tighten the bolts to avoid damage to the finish.

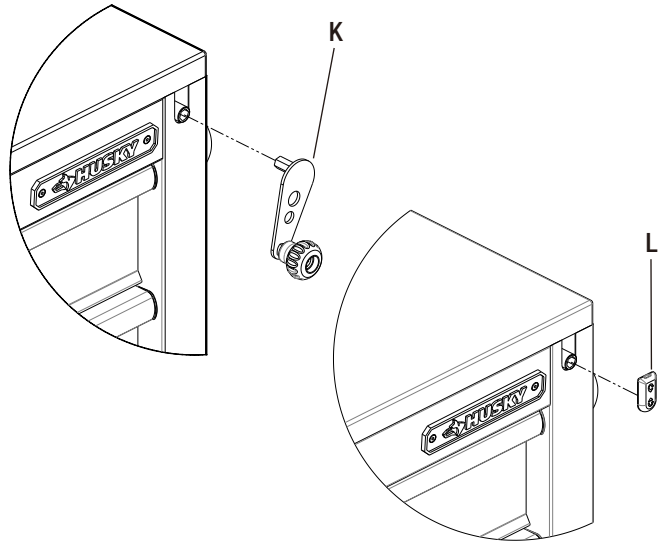


NOTE: The holes in the cabinet are tapped and do not require nuts.



2 Installing the crank handle or crank cap

- Install the crank handle (K) or crank cap (L) into the shaft next to the Husky badge.



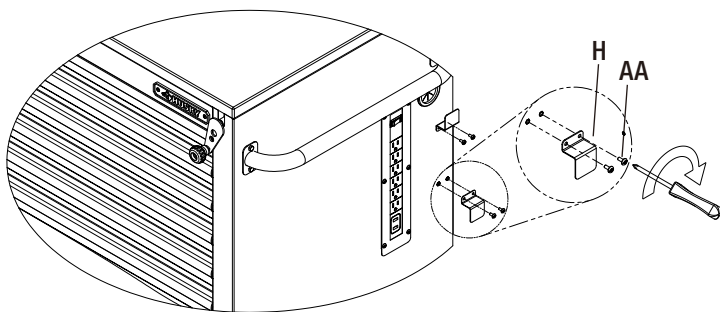
NOTE: Store the crank handle (K) or crank cap (L) in one of the drawers when not in use.

3 Attaching the power strip brackets

- Attach the power strip brackets (H) to the cabinet using four bolts (AA).
- Tighten all bolts using a screwdriver.
Do not over tighten the bolts to avoid damage to the finish.

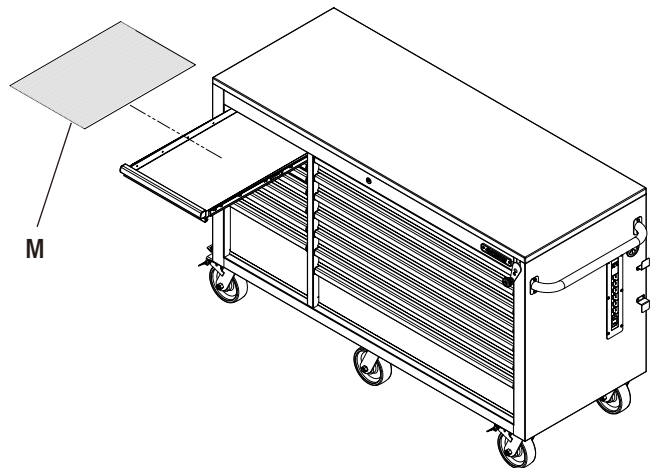


NOTE: The holes in the cabinet are tapped and do not require nuts.



4 Installing the drawer liners

- Place the drawer liners (M) in appropriately-sized drawers to protect the surface.



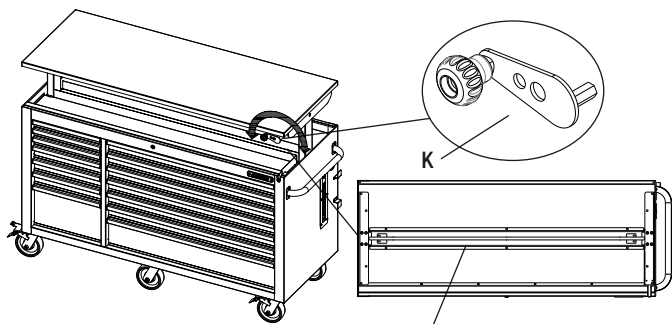
Operation

1 Adjusting the height of the wood top work surface

- Insert the crank handle (K) into the shaft near the Husky badge and align it in the hole until it is engaged.
- To raise the work surface, turn the crank handle counterclockwise to the desired height (39 in.-52 in.)
- To lower the work surface, turn the crank handle clockwise until it reaches the desired height or rests back on top of the rolling cabinet.
- When fully lowered, remove the crank handle and place the crank cap back over the shaft.
- To avoid damage, do not keep turning the crank handle once it has rested on top of the cabinet.



NOTE: Some minor squeaking is normal when operating the crank.



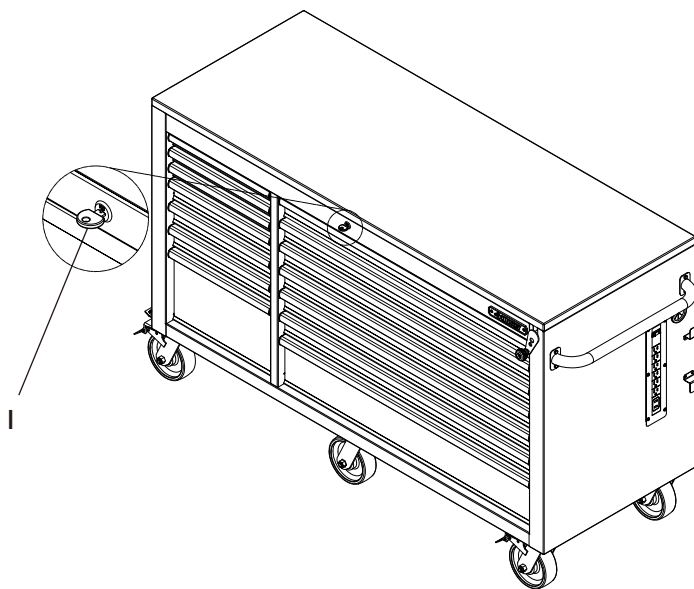
WARNING: There is no storage in the center tray. Use front and back trays only for storage. Make sure the handle is in the proper position as the drawer may interfere with the handle when you open drawer.

2 Locking and unlocking the unit



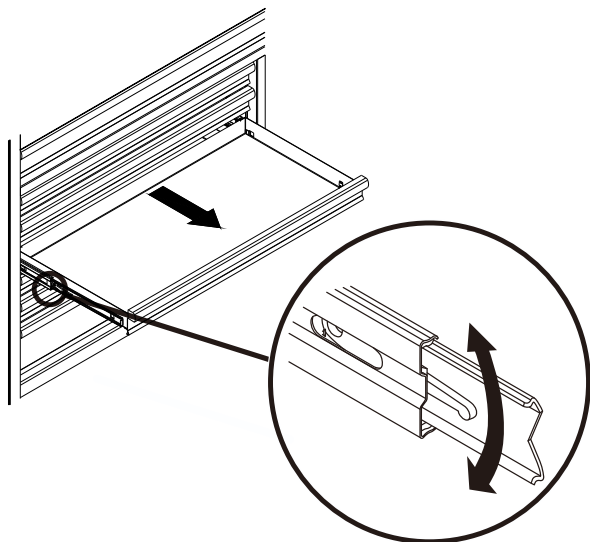
IMPORTANT: The drawers must be fully closed before locking / unlocking the unit.

- To lock the unit, insert the key (I) into the lock (J) and turn it one quarter turn counterclockwise. Then remove the key.
- To unlock the unit, insert the key (I) into the lock (J) and turn it one quarter turn clockwise. Then remove the key.



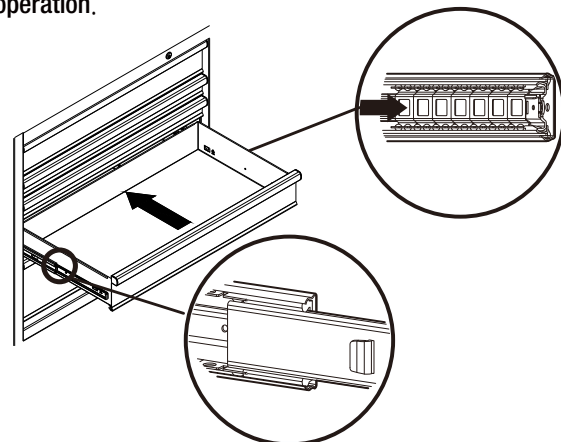
3 Removing the drawers

- Fully extend and empty the drawer.
- On the slide, lift up the plastic release lever on one slide and push down the plastic release lever on the other slide. Gently pull the drawer out so the slides can ride over the stops.



4 Installing the drawers

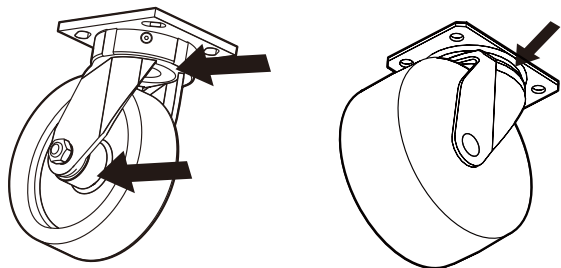
- Pull the slides and slide carrier out until fully extended.
- Hold the slide on the cabinet while aligning it with the slide on the drawer.
- Slightly insert one side and repeat for the other side.
- Slowly push the drawer until it is fully closed to engage the slide.
- Open the drawer and close it to verify proper operation.



Maintenance

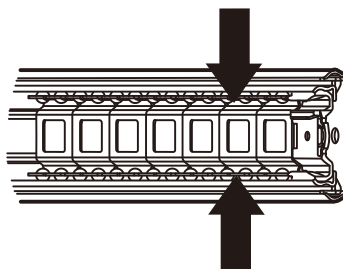
1 Maintaining the casters

- Grease the casters annually using high quality bearing grease.



2 Maintaining the drawers

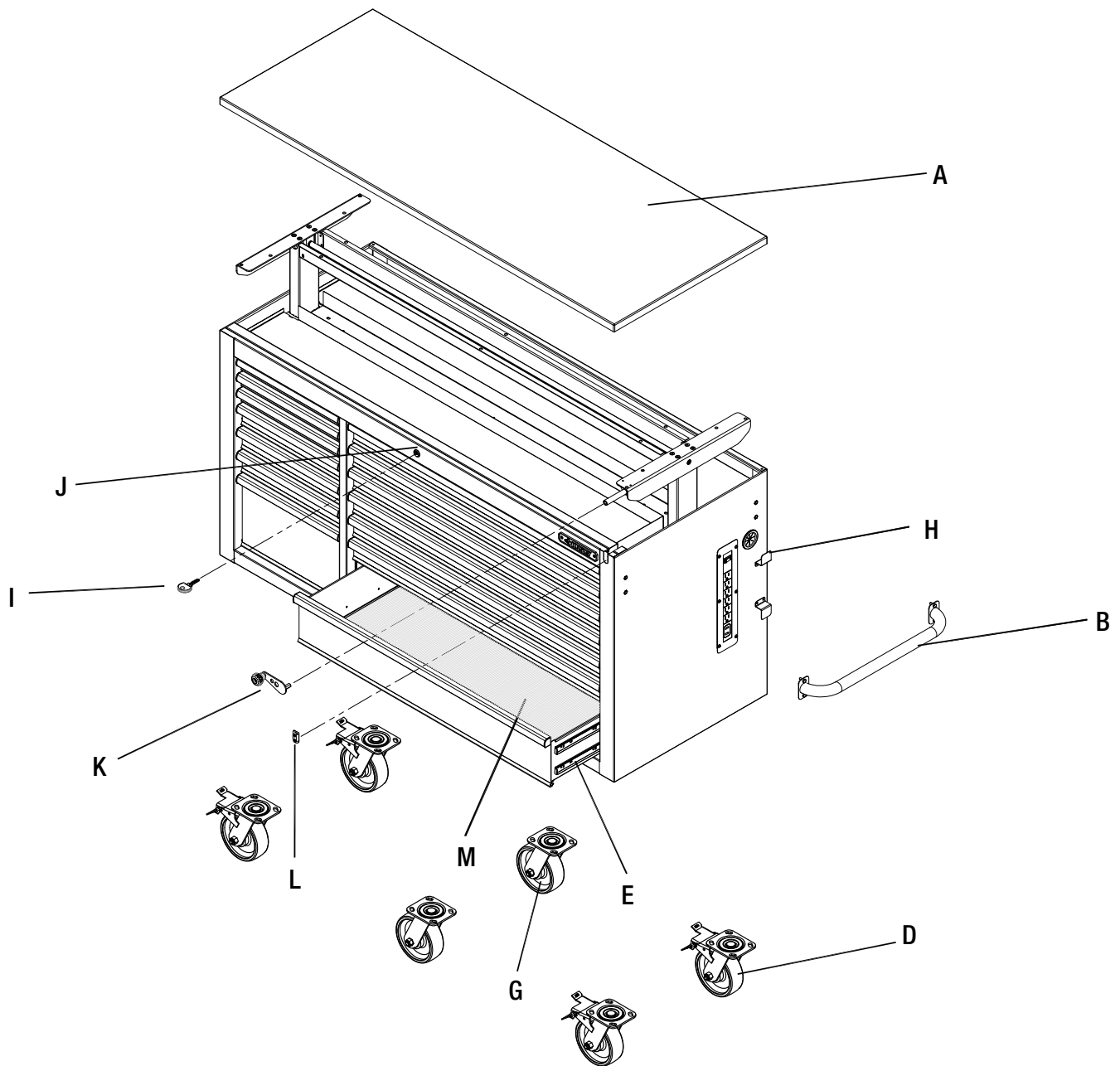
- Periodically clean the drawer trim and inside the drawers with a mild detergent and water.
- Remove grease and oil with a standard, nonflammable cleaning fluid.
- The use of drawer liners is recommended to protect the finish inside the drawers and make the drawers easier to clean. Drawer liners can be purchased at The Home Depot.
- Lubricate the slides semi-annually with grease or equivalent.



Care and Cleaning

- This steel product has been coated with industrial powder coating for a durable finish. To help protect this finish, do not allow harsh chemicals such as oil or grease to remain on the powder coating surface. Use a glass cleaner (Windex® or equivalent product) to clean and maintain all powder coated surfaces.
- The wood top is made of Parawood (also called Rubberwood) which has UV coating to help protect it from moisture. It can be cleaned with most household cleaners, such as Windex® .
- The crank gears and shafts are lubricated at the factory and sealed inside the unit. They do not require normal lubrication maintenance. Some squeaking is normal when operating the crank.

Service Parts



Part	Part Code	Description	Quantity
A	D61011	Wood top	1
B	C4B12031805000	Side handle	1
D	K03220373	Swivel caster w/brakes	4
E	DTC35013	Drawer slide 120 lbs (pair)	16
G	K03220374	Swivel caster	2
H	B4B120TC46E3827A	Power strip bracket	2
I	K06120123	Key (set)	1
J	K06120124	Lock	1
K	L2015024	Crank handle	1
L	L2015029	Crank cap	1
M	K0129108	Drawer liner	14



Questions, problems, missing parts? Before returning to the store,
call Husky Customer Service
8 a.m.-7 p.m., EST, Monday-Friday, 9 a.m. - 6 p.m. EST Saturday

1-888-HD-HUSKY

HUSKYTOOLS.COM

Retain this manual for future use.