



PROFESSIONAL HEADS

seal

- Five sealing surfaces prevent leaks.
- Co-molded with a core of ridged plastic, standing up to heavy use and corrosives.
- Pressure activated seal, sealing tight to the cap and riser.

cap

- Thicker cap.
- Superior threads.

body

- Stronger body.
- Buttresses added under the cap for support and grip.
- UV protected.

filter

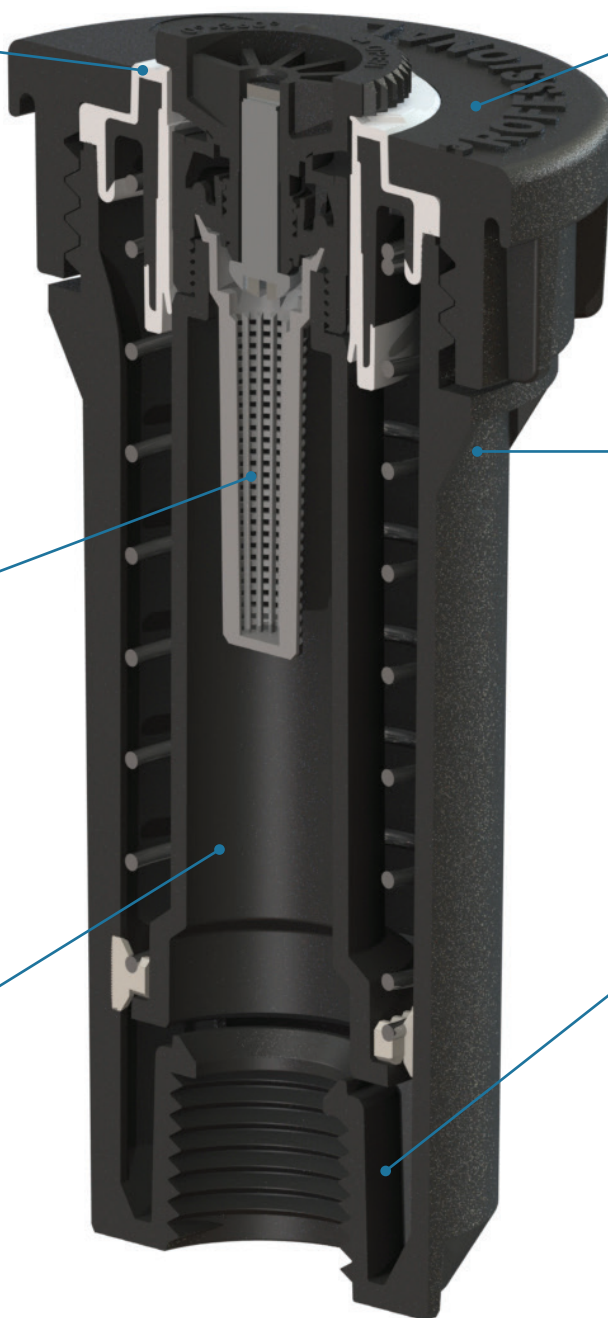
- More robust.
- Improved surface area to catch debris.

debris catchers

- Designed to trap debris, preventing wear and tear.

riser

- Engineered to fit all major manufacturers' female threaded nozzles.



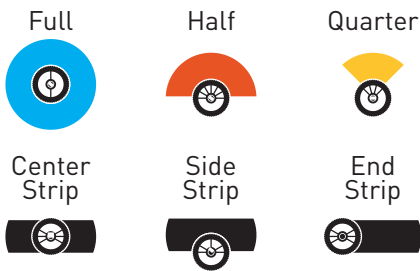
Ideal for residential and commercial landscapes



PROFESSIONAL HEADS

Available Options:

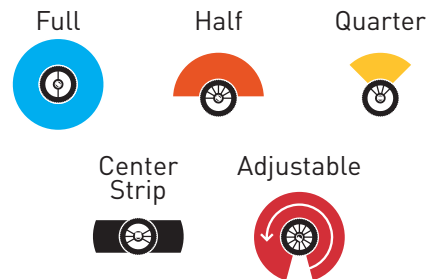
Fixed Nozzles—
15 ft distance.



Adjustable Nozzles—
Cover any angle in
4 ft, 8 ft, 10 ft, 12 ft,
15 ft, and 18 ft distances.
Nozzles are color-coded
for easy identification.



Brass Nozzles—For extra
durability, 15 ft distance.



No Nozzle—Pick your own nozzle to put on our superior spray head.

Hard Top[®]—Metal caps give the sprinkler extra protection.

Pressure Regulated—Meets or exceeds standards for
states that require pressure regulated spray bodies.

California
Colorado
Washington
Vermont
Hawaii

6 Heights—
Make new installs
or retrofits easy.



5 Year Warranty