

TC-2020-WCW

**All-in-one Laundry Cabinet with
Stainless Steel Sink and Faucet**

Table of Contents

Table of Contents	2	Door Handle Installation	8
Safety Information	2	Door Position Adjustment	9
Warranty	3	Mounting the Utility Sink	9
Lifetime Limited Warranty	3	Placement	10
Pre-Installation	4	Maintenance	10
Tools/Materials Required	4	Care and Cleaning	11
Package Contents	5	Utility Sink	11
Installation	6	Cabinet	11
Faucet Assembly/Installation	6		
Strainer Installation	7		
Adjustable Metal Legs Installation	8		

Safety Information

READ AND SAVE THESE INSTRUCTIONS



DANGER: Always wear safety goggles and gloves in order to avoid personal injury.

1. Inspect your unit before proceeding. Once you unpack your unit, check for chips, scratches, cracks, dents or scuff marks. If any damage is noticed, do not install.
2. Use this unit only in the manner intended by the manufacturer. If you have any questions, contact the manufacturer.
3. Installation work and plumbing must be done by qualified person(s) in accordance with all applicable codes and standards.
4. Protect the entire surface during installation.
5. All holes drilled into the unit must be done from the finished surface side with extreme care and caulked very carefully to form a watertight barrier.

Warranty

TRANSOLID® LIMITED LIFETIME WARRANTY

All TRANSOLID® Laundry Cabinet feature a LIMITED LIFETIME WARRANTY to be free of all manufacturing defects under normal use.
LIMITED SINK WARRANTY

Transolid® will replace without charge, (excluding labor & transportation costs) any Laundry Cabinet or fireclay sink supplied by Transolid® that is proven to be defective, with an equivalent replacement, within the specific appropriate period from date of purchase, to the original owner, provided it has been used solely in residential application and installed in accordance with the Transolid® installation instructions, used and cleaned as recommended, and not damaged due to abuse, misuse, or negligence. For installed warranty concerns, please contact Transolid® directly for further information and proper documentation. In the event of a warranty claim, the owner will be required to provide proof of purchase in the form of sales receipt.

This warranty will not cover any damages which might be caused by the product. (Some states do not allow such limitation, so this reference may not apply to you.)

Transolid® reserves the right to inspect any sink reported to be defective prior to replacement of the sink. All decisions are final. Replacement cost EXCLUDES transportation and any labor costs for the removal or reinstallation.

Stainless steel is virtually carefree, but yet it can be dented, scratched and harmed by certain chemicals. Simple cleaning techniques and use of stainless grids can keep your sink looking great everyday.

Transolid® shall not be liable in case of:

- Improper installation/modification
- Damages resulting from abuse, such as heavy impact or dropped objects
- Improper care or maintenance
- Improper applications (such as exposure to corrosive chemicals, photographic solutions, etc.)
- Any modifications made to the product after it left Transolid® premises
- Commercial application
- Scratches - Due to use

SINK ACCESSORIES

Transolid® carries a 1 YEAR LIMITED WARRANTY ON ALL SINK ACCESSORIES to be free of all manufacturing defects under normal use. These warranties supersede all other warranties, expressed or implied.

The foregoing warranties are exclusive and made only to the buyer. No other warranty, whether express, implied, or statutory, including any warranty or merchantability or fitness for a particular purpose shall be deemed to exist in connection with any of the goods or services supplied hereunder, and any implied warranties for a period greater than the warranty period contained in Transolid®'s limited warranty are hereby excluded. Transolid® shall not be liable for any indirect, incidental, special or consequential damages in any way related to the goods or services supplied hereunder. No employee, agent, or other person is authorized to give any warranties on behalf of Transolid in addition to or different from the herein given to assume for Transolid any other liability in connection with any of its products except if in writing is signed by an officer of Transolid and expressly and intentionally gives such warranties or assumes such liability.

LEGAL DISCLAIMER

All technical data and information provided in this publication is done as a public service to customers of Transolid® and consumers of our products. All names, designs, and model numbers of products are trademarks of Transolid®. Prices and specifications of Transolid's products are subject to change without notice or obligation, Transolid® may also change or discontinue models of its products without notice or obligation. While Transolid® endeavors to provide you with accurate information and descriptions of its products, accuracy and completeness cannot be guaranteed. Transolid® is not responsible for, nor does it have any liability for any mistakes or typographical errors, including liability for incidental, consequential, or special damages. All products should be inspected and measured promptly upon delivery and certainly before any improvements or alterations are done in anticipation of or preparation for installation. Transolid® assumes no liability for the use of such information or for any damages incurred through its use or application.

Nothing contained in this publication is to be construed as contractual or providing any form of warranty or representation on the part of Transolid®.

TRANSOLID® MAKES NO WARRANTIES, EXPRESS OR IMPLIED, INCLUDING BUT NOT LIMITED TO ANY WARRANTY OF MERCHANTABILITY OR OF FITNESS FOR A PARTICULAR PURPOSE, AS TO THE INFORMATION CONTAINED HEREIN OR THE PRODUCTS DESCRIBED HEREIN.

Pre-Installation

TOOLS/MATERIALS REQUIRED (NOT SUPPLIED)



Adjustable wrench



Needle nose pliers



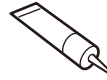
Phillips screwdriver



Utility knife



Pipe wrench



Sealant



Carpenter's level



Hacksaw



Safety gloves



Safety goggles

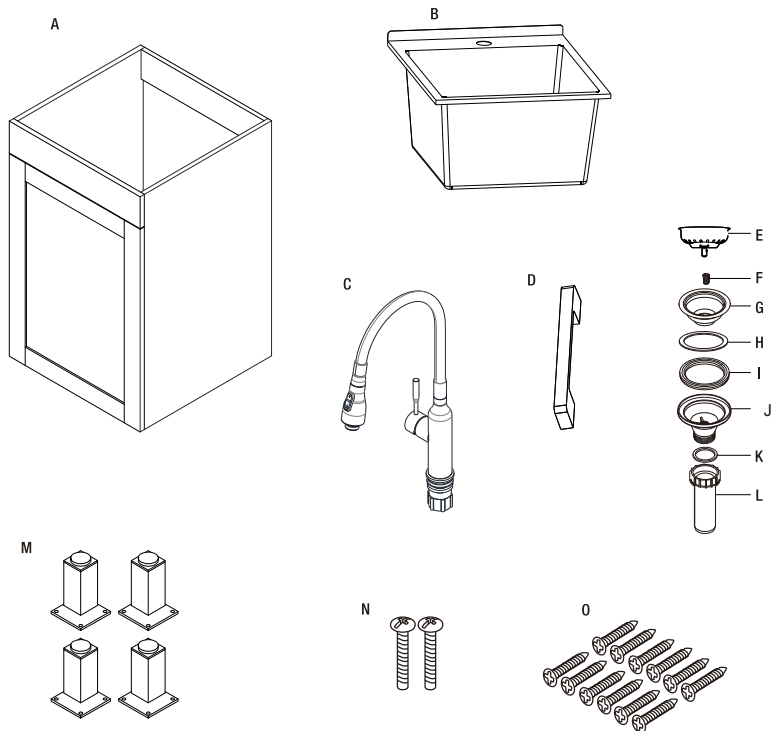
PARTS REQUIRED (NOT SUPPLIED)



P-Trap

Pre-Installation (continued)

PACKAGE CONTENTS

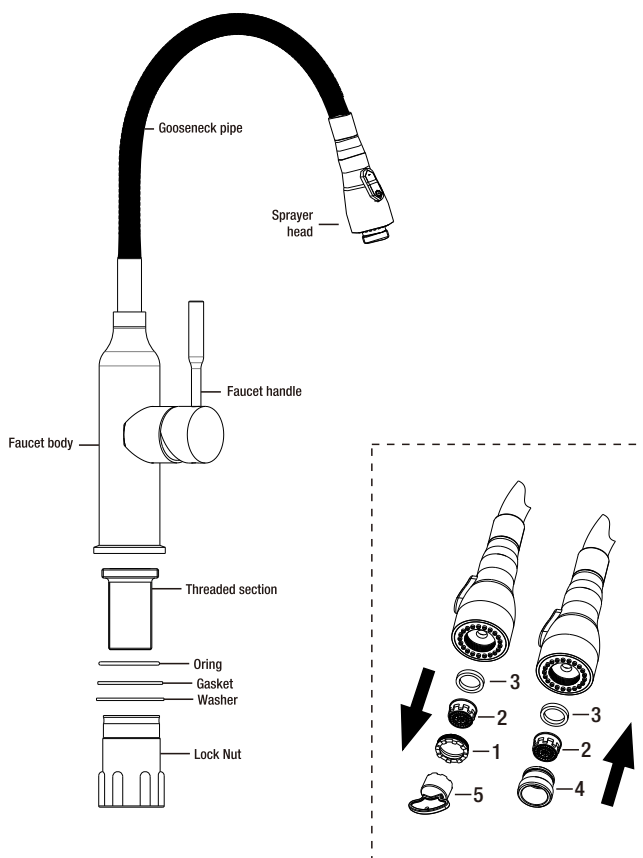


Part	Description	Quantity	Part	Description	Quantity
A	Cabinet	1	I	Double Lip Seal	1
B	Utility Sink	1	J	Waste Bowl	1
C	Faucet	1	K	Flat Gasket	1
D	Door Handle	1	L	Fitting	1
E	Strainer Basket	1	M	Adjustable Metal legs	4
F	Screw	1	N	Door Handle Screws	2
G	Strainer Bowl	1	O	Metal leg Screws	12
H	Gasket	1			

Installation

1 FAUCET ASSEMBLY/INSTALLATION

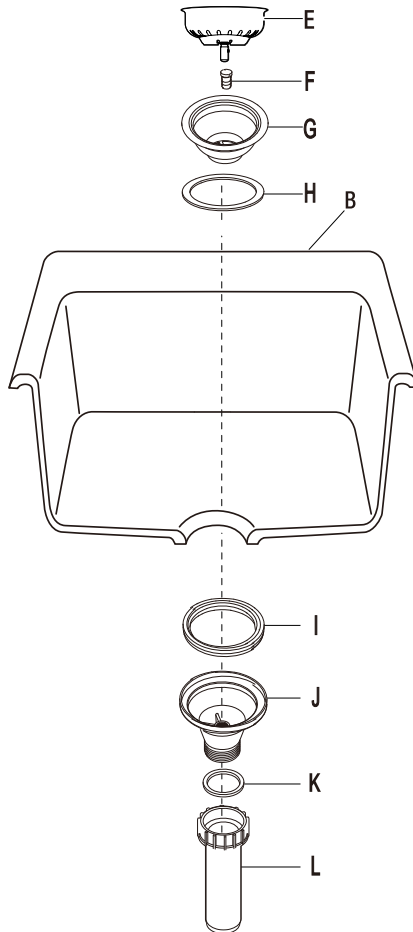
- Carefully unpack the parts of the faucet (C). The faucet body is pre-assembled.
- Install the threaded section onto the faucet body.
- Place the faucet body and the o-ring carefully through the hole in the sink (B). A second person may be required to hold the body in place until the faucet installation is complete.
- From underneath, slide the washer, gasket, and lock nut over the exposed threaded section of the faucet. Tighten the lock nut by hand until it is snug.
- If you want to connect the faucet with garden hose, remove the aerator shell (1), aerator(2) and washer(3) from spray head by the aerator wrench (5). Then reinstall the washer (3) into the spray head, and thread the connector (4) onto the spray head.



Installation (continued)

2 STRAINER INSTALLATION

- Place the gasket (H) on top of the drain hole in the sink (B), followed by the strainer bowl (G).
- From underneath the sink (B), position the double lip seal (I) with the grooves facing up over the drain hole, followed by the waste bowl (J).
- From the top of the drain hole, screw the screw (F) into the waste bowl (J).
- Position the gasket (K) at the base of the waste bowl (J) and screw the fitting (L) to the base of the waste bowl (J).
- Insert the assembled basket (E) into the strainer bowl (J).



Installation (continued)

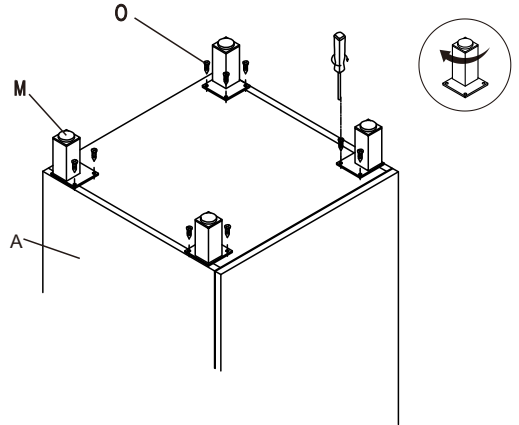
3 ADJUSTABLE METAL LEGS INSTALLATION

A thorough inspection must be made before installation and any damages or missing parts must be promptly reported. Do not proceed with the installation. If damage is present or parts are missing. Do not dispose of the packaging before you are satisfied with your new utility sink.

- Unpack the unit and place the sink (B) on a blanket or cardboard to protect the surface.
- Turn the cabinet (A) upside down on the protective surface.
- Gently place the metal legs (M) on the cabinet. Using the supplied metal leg screws (O), attach the metal legs to the cabinet.
- Gently turn the cabinet upright.

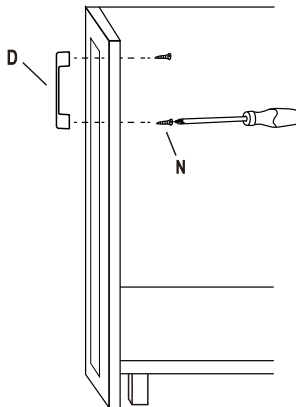


CAUTION: Do not place side load onto feet when righting the cabinet.



4 DOOR HANDLE INSTALLATION

- Insert the door handle screws (N) into the pre-drilled holes on each door.
- Attach the door handle (D) and hand tighten the door handle screws (N) on the door.

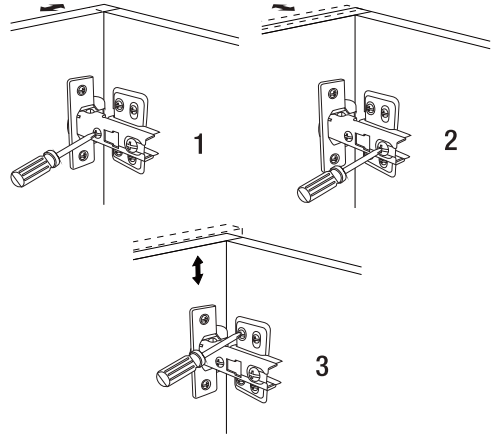


Installation (continued)

5 DOOR POSITION ADJUSTMENT

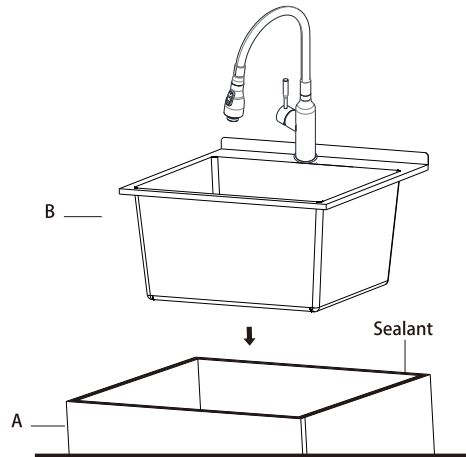
If the doors need to be repositioned, the hinges can be adjusted to ensure a precise fit with the cabinet.

- The lateral adjustment screw adjusts the door left or right.
- The horizontal adjustment screw adjusts the door forward and backward.
- The vertical adjustment screw adjusts the door up and down.



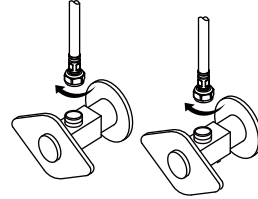
6 MOUNTING THE UTILITY SINK

- Carefully place a bead of sealant around the top of the cabinet (A).
- Ease the sink (B) into the cabinet (A), ensuring that it is placed evenly and is centered on the cabinet. Wipe off any excess sealant. Use masking tape to hold the sink in place until the sealant dries.



PLACEMENT

Move the assembled unit to its final location. Complete the final hook up of the supply lines and drain system.



Maintenance

Problem	Possible Cause	Possible Cause
There are leaks underneath the handle.	The screw nut has come loose and the o-ring on the cartridge is dirty or damaged.	<input type="checkbox"/> Tighten the screw nut. Clean or replace the cartridge or o-ring.
The aerator leaks or has an inconsistent water flow pattern.	The aerator is dirty or misfitted. The cartridge may be clogged.	<input type="checkbox"/> Remove the aerator and check for debris in the aerator screens. <input type="checkbox"/> Remove the cartridge and check for debris. <input type="checkbox"/> Ensure the aerator is properly installed.
There are leaks from the hose underneath the deck.	The supply hose and outlet hose connection may be loose.	<input type="checkbox"/> Tighten the connection of the hoses.
The water pressure is low.	The connector underneath the deck is clogged with debris. The aerator is clogged.	<input type="checkbox"/> Turn off the water supply and disconnect the connector / aerator. <input type="checkbox"/> Unscrew the connector / aerator and clean it under running water. <input type="checkbox"/> Screw the connector / aerator back in place. <input type="checkbox"/> Test the water flow. If the water pressure is still low, then replace the connector / aerator.
There is no hot or cold water.	The water supply hose was accidentally kinked during installation and is limiting the water flow.	<input type="checkbox"/> Reinstall the water supply hose.

Care and Cleaning

UTILITY SINK

- Daily, regular cleaning to remove dirt and prevent staining is recommended. Use liquid dish detergent, water, and a soft household sponge.
- Mild, non-abrasive cleaners can be used with a nylon scrub pad. To ensure a uniform appearance in a stainless steel sink surface, rinse with water and wipe down the sink with a soft, dry cloth. Drying the sink will prevent water spots.
- DO NOT use strong abrasive cleaners, metal scrub pads, or steel wool. These will scratch the surface.
- DO NOT leave rubber mats or sponges inside the sink. Water trapped below could lead to stains.
- DO NOT let food with a high salt content sit inside the sink for prolonged periods of time.
- DO NOT allow chlorine bleach to sit inside a stainless steel sink for more than one hour.
- DO NOT allow drain cleaners to come into contact with the sink surface.
- DO NOT pour paint in your sink. The chemicals in acrylic paint will react with sinks if allowed to sit over 24 hours and will produce permanent marks. For latex based paints, remove any residue immediately using a paint remover manufactured by the same brand. Consult the paint remover recommendations before using the sink. For all sinks, we also recommend using nail polish remover, rubbing alcohol, or an acetone-based paint remover to eliminate paint residue.

CABINET

To maintain the surface of your cabinet, follow these tips.

Do
<ul style="list-style-type: none">- Remove dust and dry dirt with a soft, damp cloth.- Clean grease, oil, paint, and ink stains with isopropyl (rubbing alcohol). Immediately rinse with water after stain removal.

Do not
<ul style="list-style-type: none">- Allow your cabinet surface to come into contact with products such as acetone (nail polish remover), nail polish, dry cleaning solution, lacquer thinners, gasoline, pine oil, etc.- Use sharp instruments that may fall and scratch the surface.