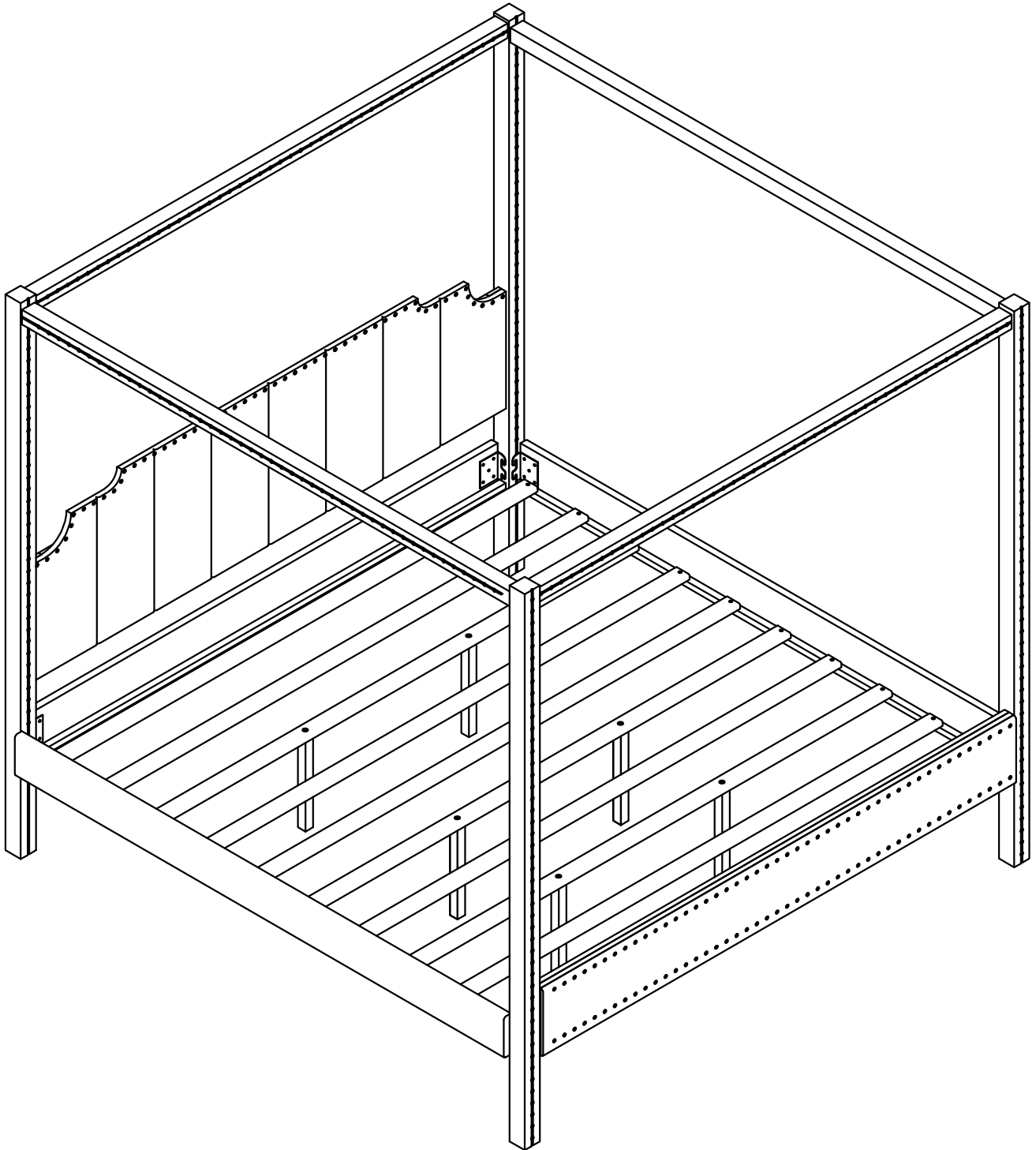


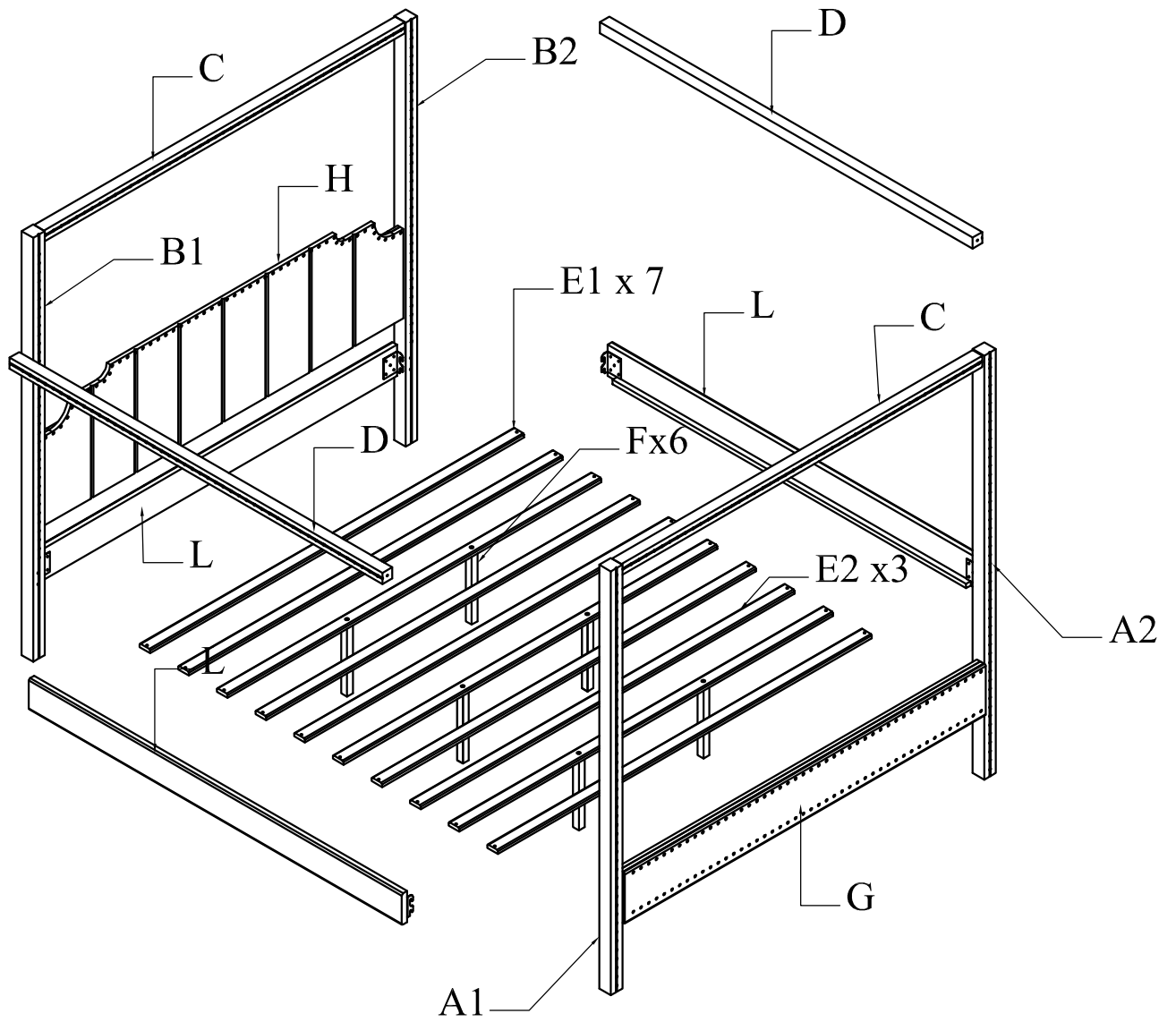
ASSEMBLY INSTRUCTION
SKU CODE: (WF290574AAE-WF290575AAE)




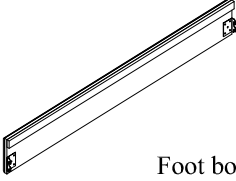
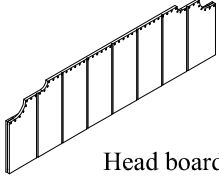
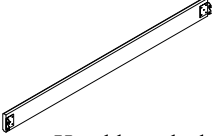
! SAFETY WARNINGS !

1. This bed is designed for use King Mattress 80 inch Long and 76 inch Wide
2. Always use the recommended size mattresses or mattress supports, or both, to help prevent the likelihood of entrapment or falls.
3. Do not allow horseplay on or under the bed and prohibit jumping on the bed
4. Do not use substitute parts. Contact the manufacturer or dealer for replacement parts.
5. Keep these instructions for future reference







ASSEMBLY INSTRUCTION



Part List(WF290574AAE)

<p>F</p>  <p>Support Leg : 6 pcs</p>	<p>G</p>  <p>Foot board - panel : 1 pc</p>	<p>H</p>  <p>Head board - top panel : 1 pc</p>
<p>L</p>  <p>Head board - bottom panel : 1 pc</p>		

Hardware List

<p>1</p>  <p>M4 x 30 mm Wood Screws 20 pcs</p>	<p>2</p>  <p>M 1/4 x 13 mm Crossing Nut : 4 pcs</p>	<p>3</p>  <p>Ø1/4" x 25 mm Hex-Head bolts 22 pcs</p>
<p>4</p>  <p>Ø1/4" x 80 mm Hex-Head bolts 8 pcs</p>	<p>5</p>  <p>Ø1/4" x 100 mm Hex-Head bolts 4 pcs</p>	<p>6</p>  <p>Allen Key 1pc</p>

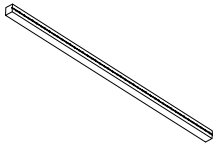
Assembly Tools Required (Not Included)

Screwdriver



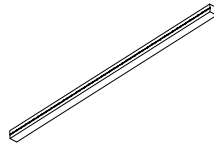
Part List(WF290575AAE)

A1



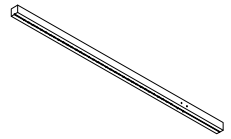
Foot board post - Left : 1 pc

A2



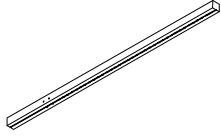
Foot board post - Right : 1 pc

B1



Head board post - Left : 1 pc

B2



Head board post - Right : 1 pc

C



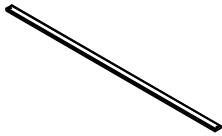
Post connector HB and FB : 2 pcs

D



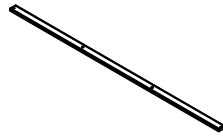
Post connector -Side rail : 2 pcs

E1



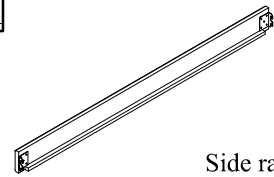
Slats : 7 pcs

E2




Slats with hole : 3 pcs

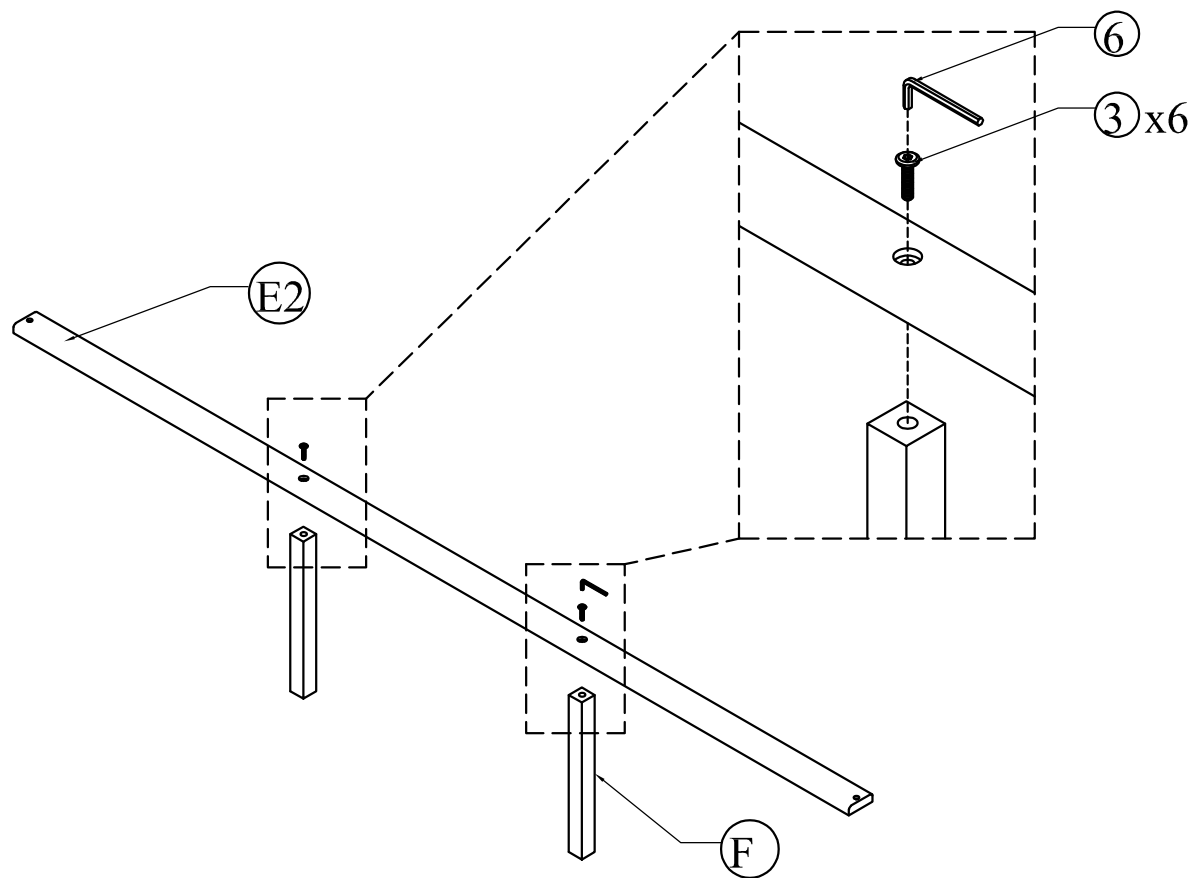
K




Side rail: 2 pcs

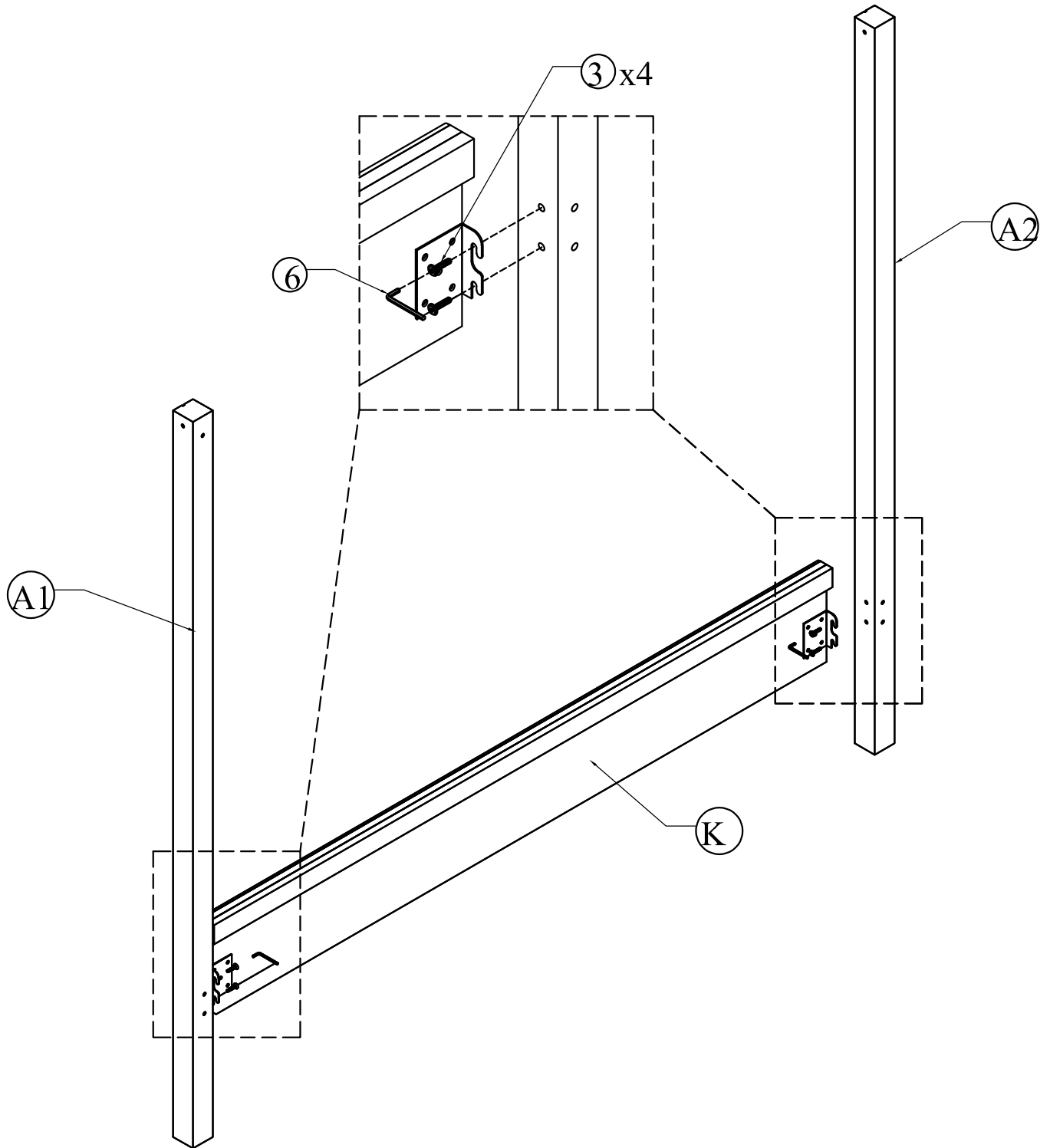
STEP 1: Following below illustration:

3	
6 pcs	




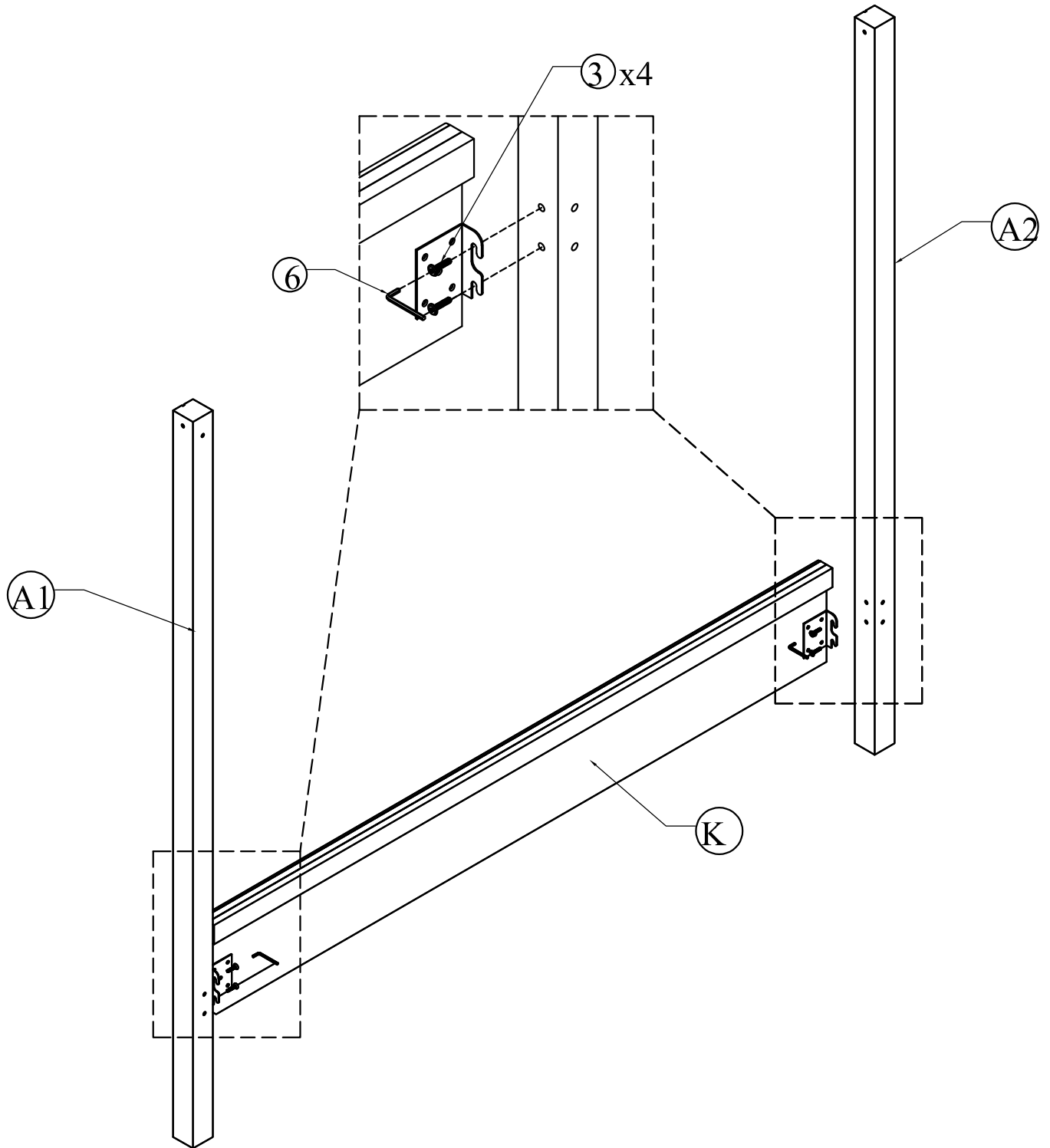
STEP 2: Following below illustration:

3

4 pcs



STEP 2: Following below illustration:

3

4 pcs

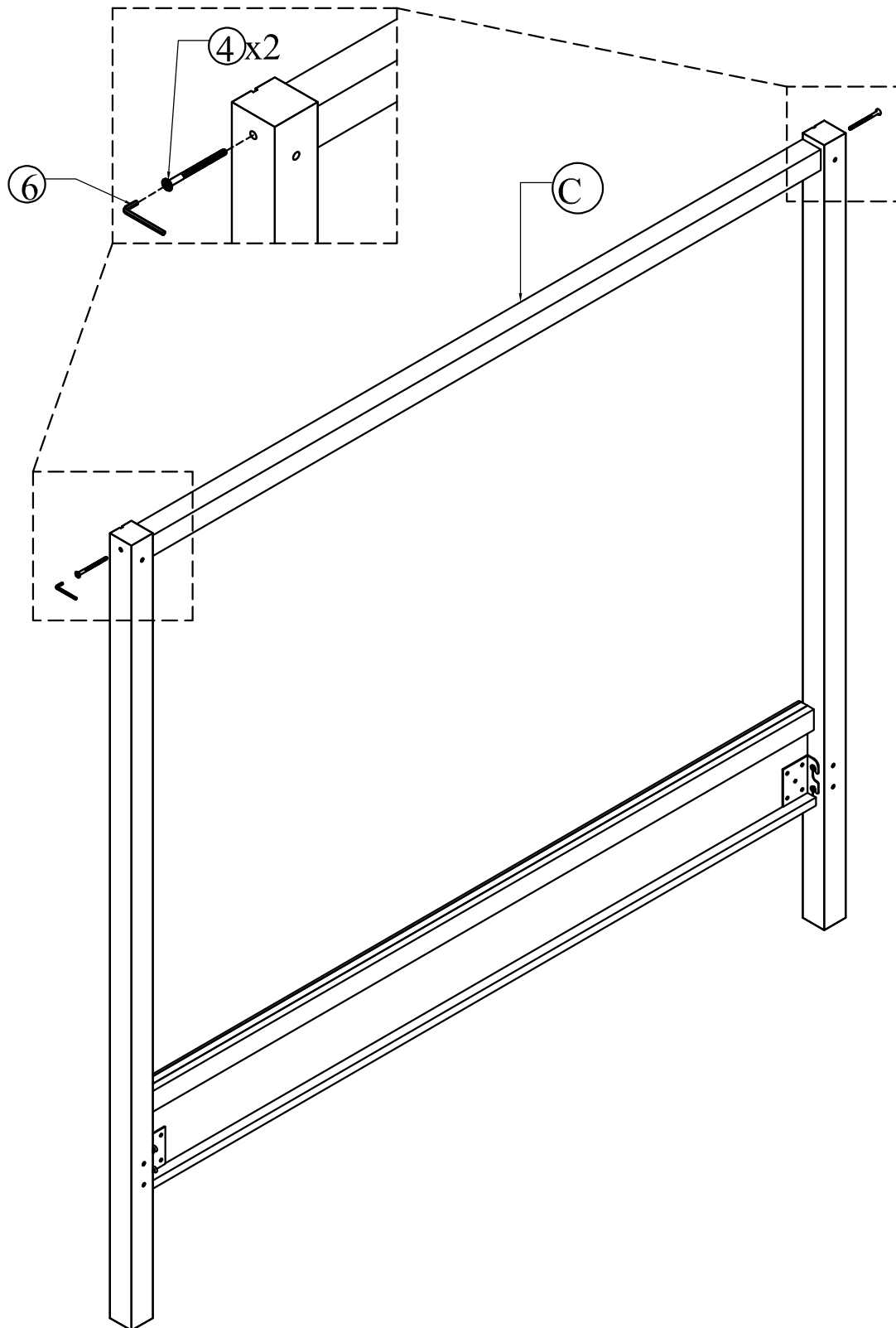


STEP 3: Following below illustration

4



2 pcs

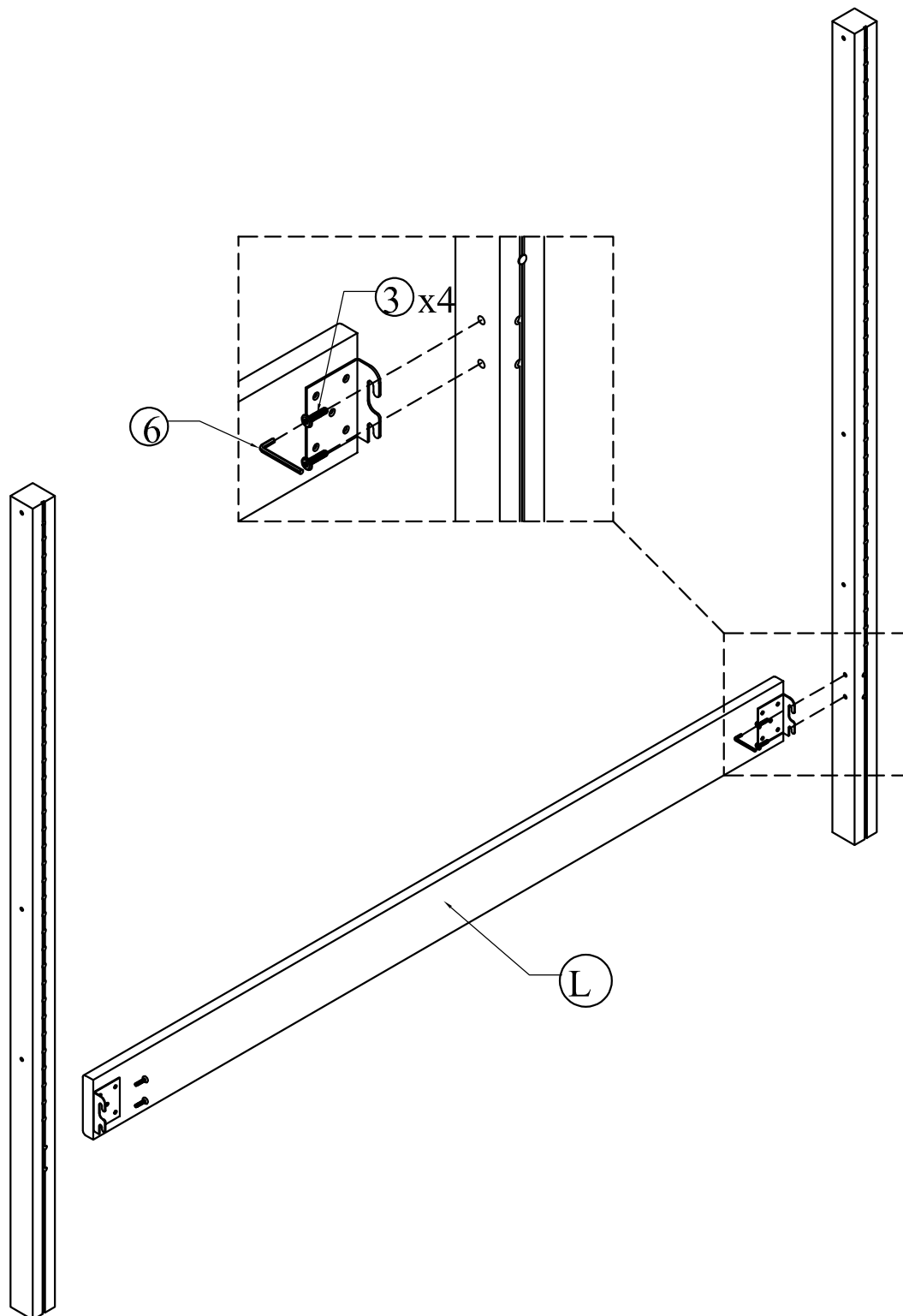


STEP 4: Following below illustration


3

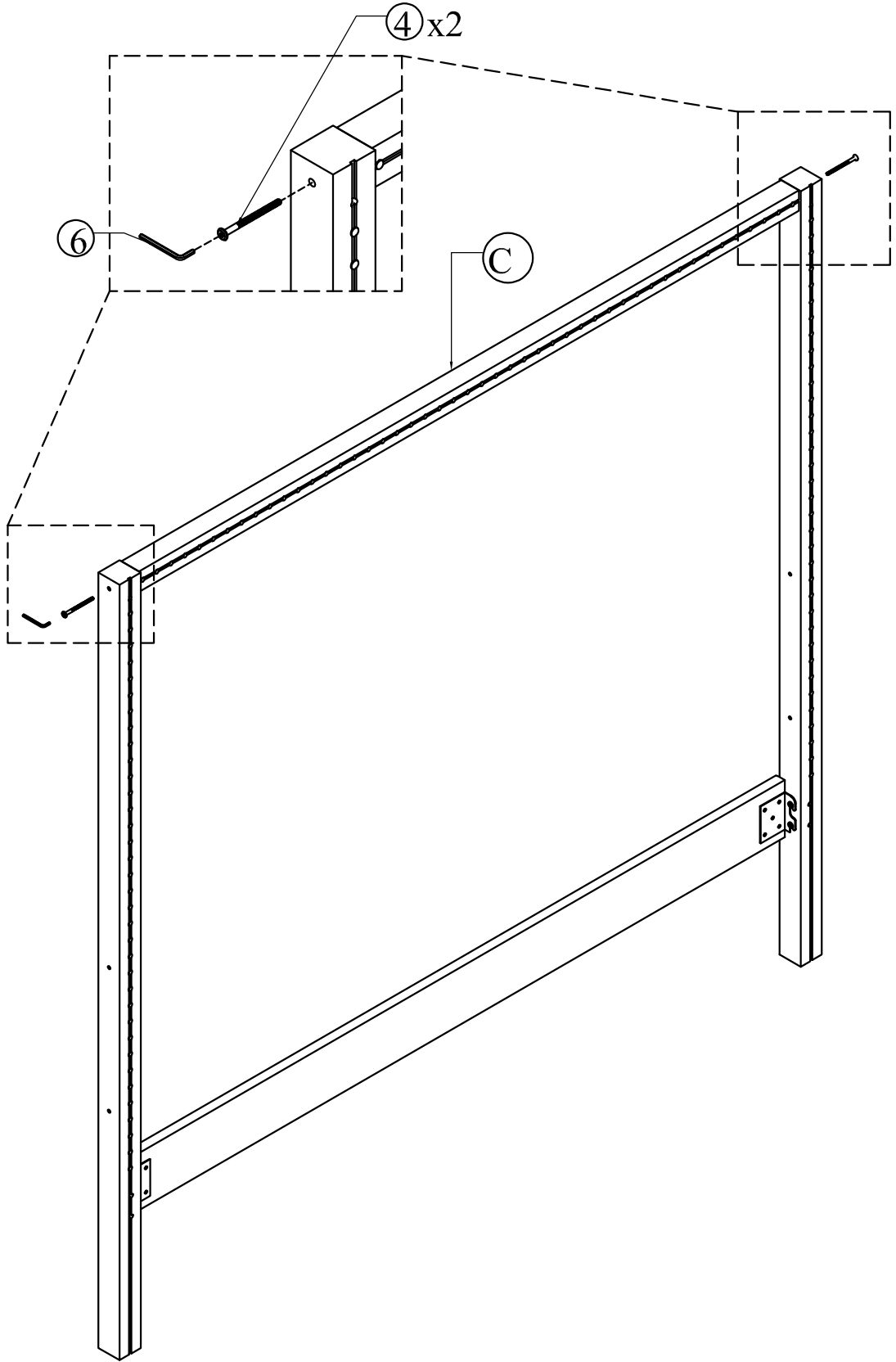


4 pcs





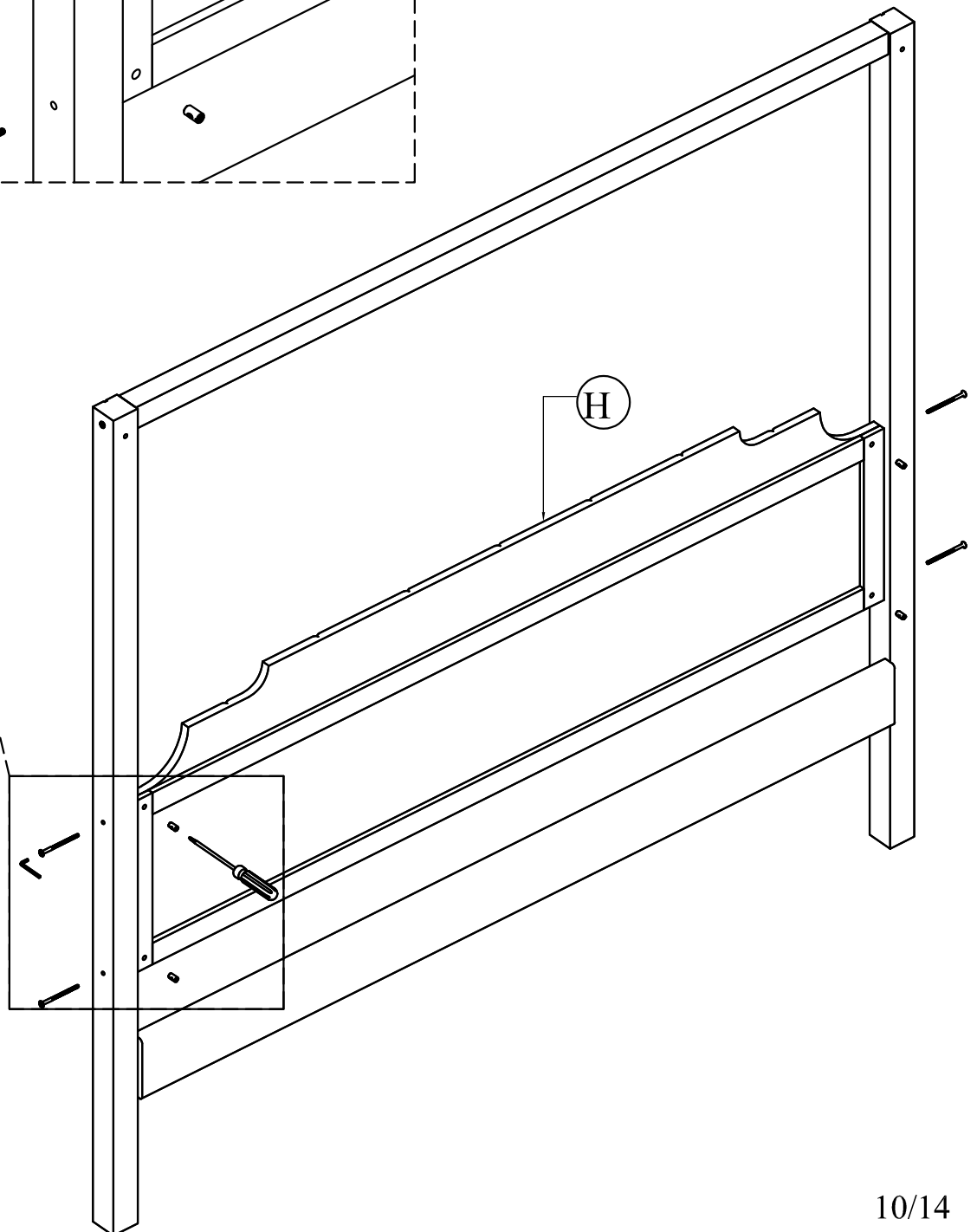
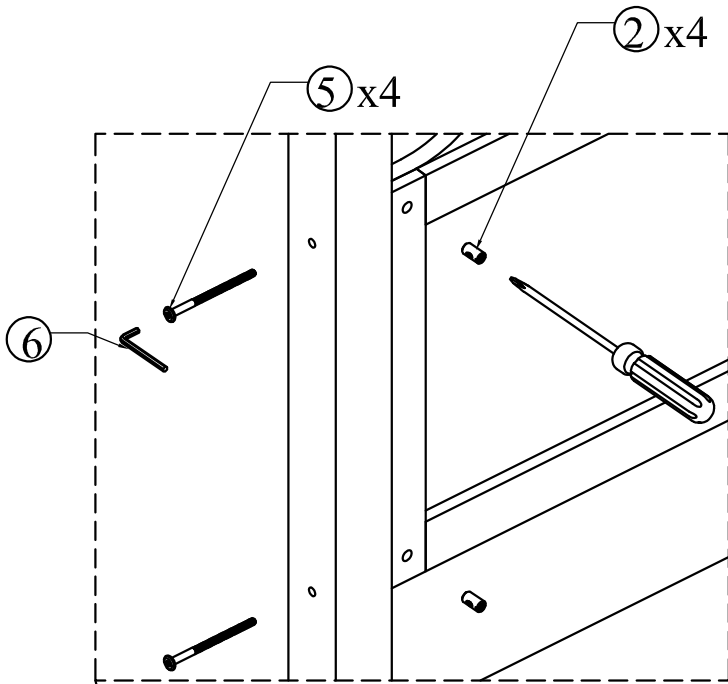
STEP 5: Following below illustration

4	
2 pcs	



STEP 6: Following below illustration

2	5
	
4 pcs	4 pcs



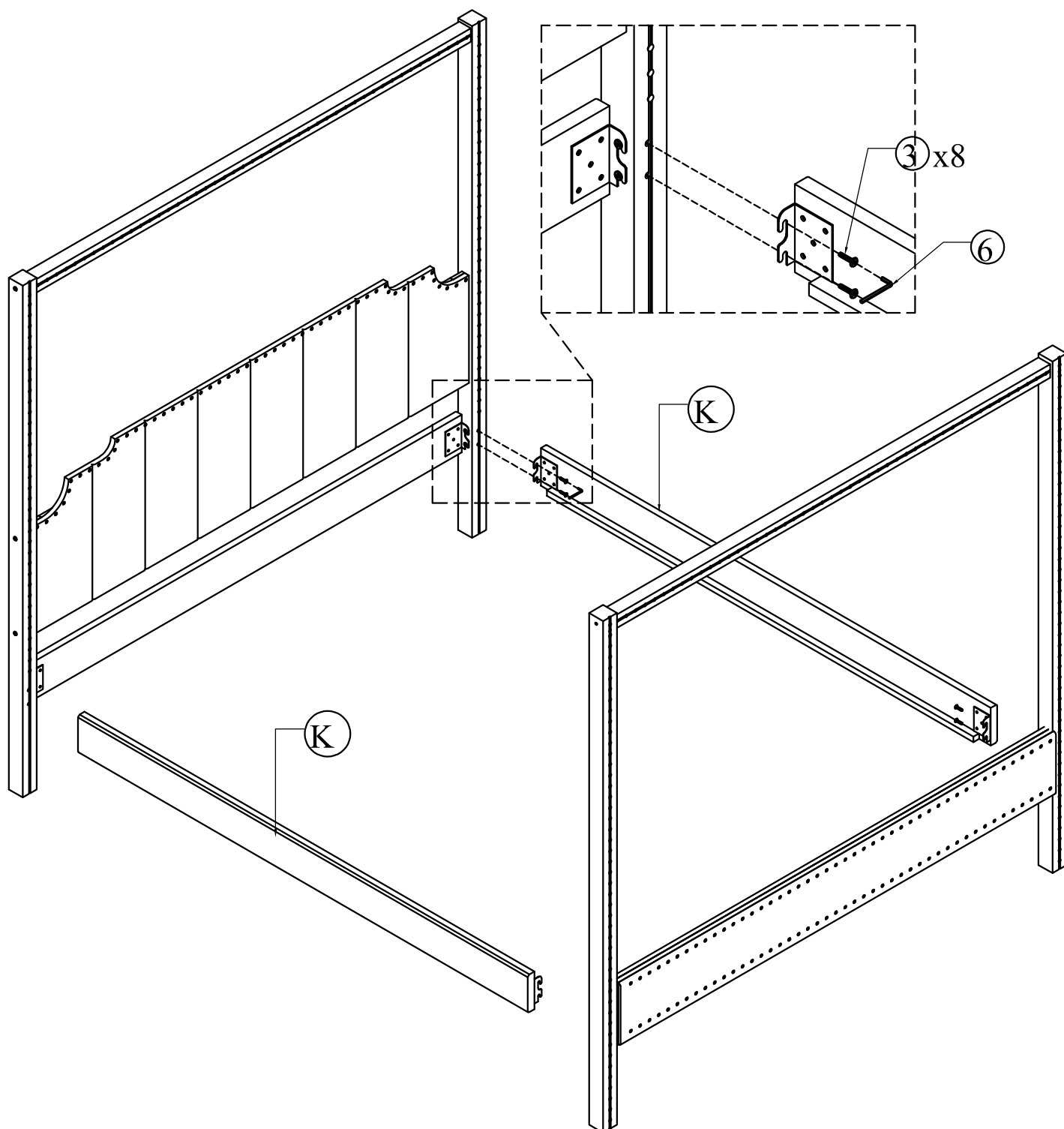
STEP 7: Following below illustration

* DO NOT TIGHTEN 100% IN THIS STEP

3

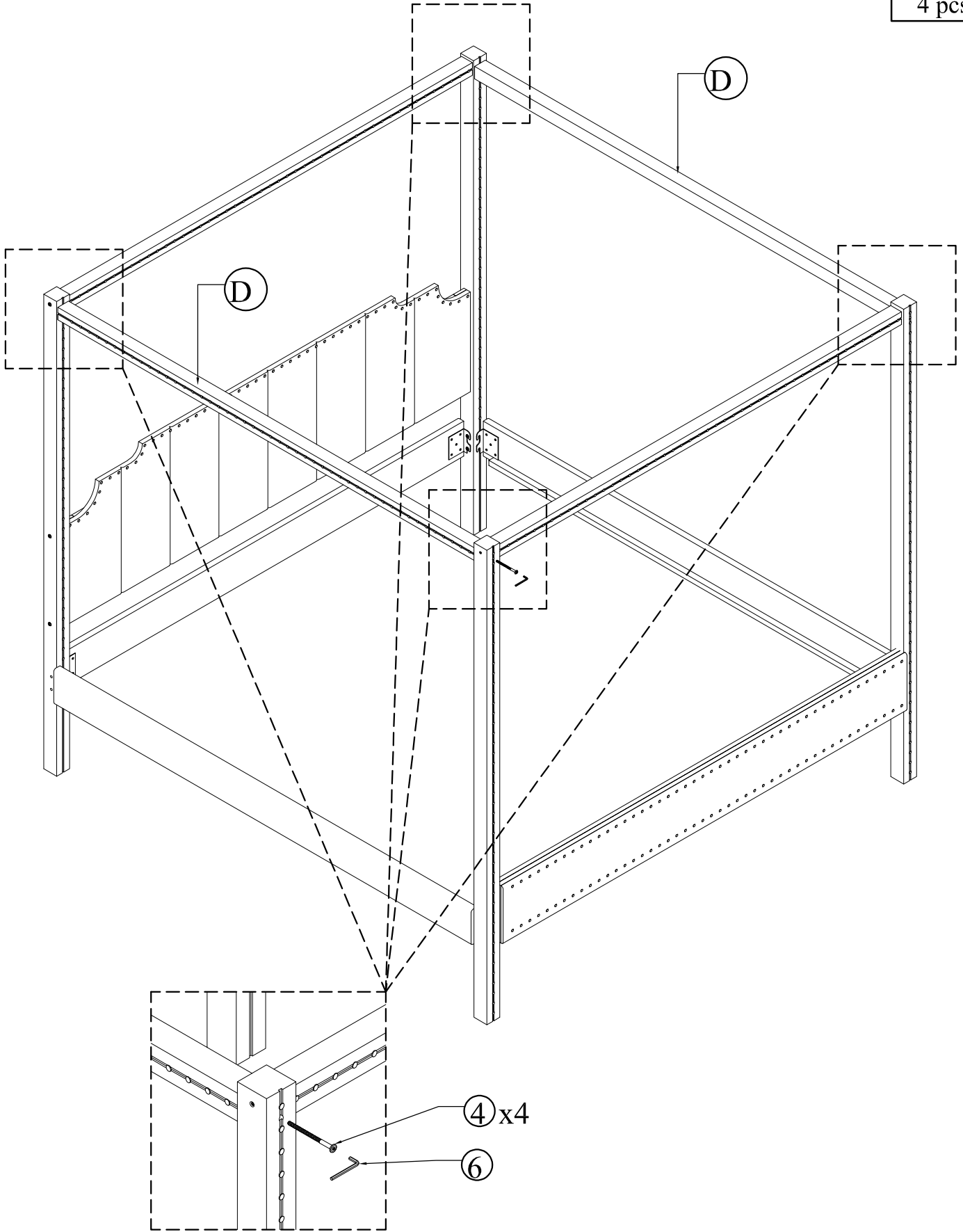


8 pcs



STEP 8: Following below illustration

4
4 pcs



STEP 9: Following below illustration

* Before Assemble Slats TIGHT 100% ALL BOLTS

1
20 pcs

