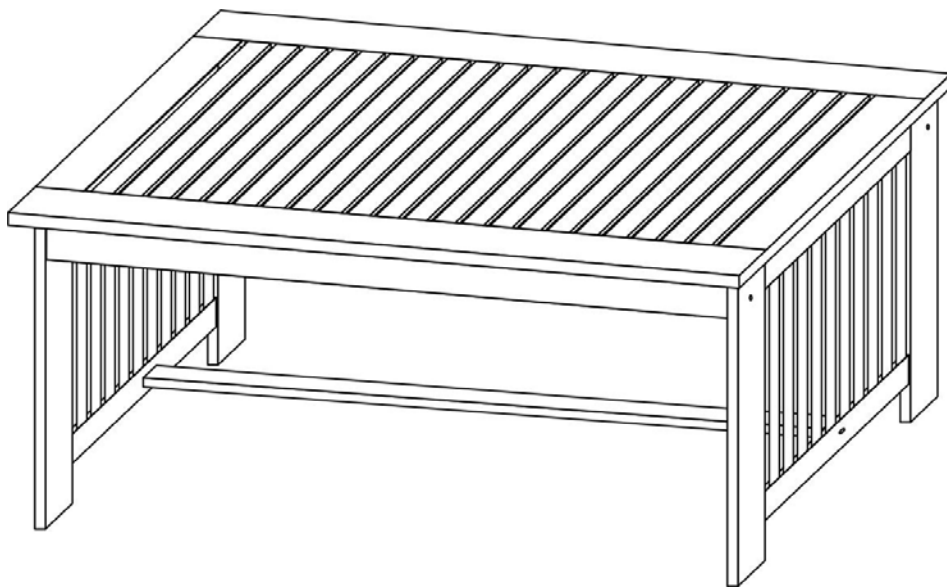


Assembly Instructions

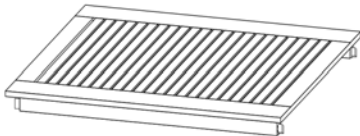

COFFEE TABLE



CAUTION: You must read this before you proceed.





CAUTION : This Table is NOT a TOY.
Keep your child / children at bay in the process of assembly.

Parts List

No.	Picture	Description	Qty
A		Table Top	1
B1		Right Side Panel	1

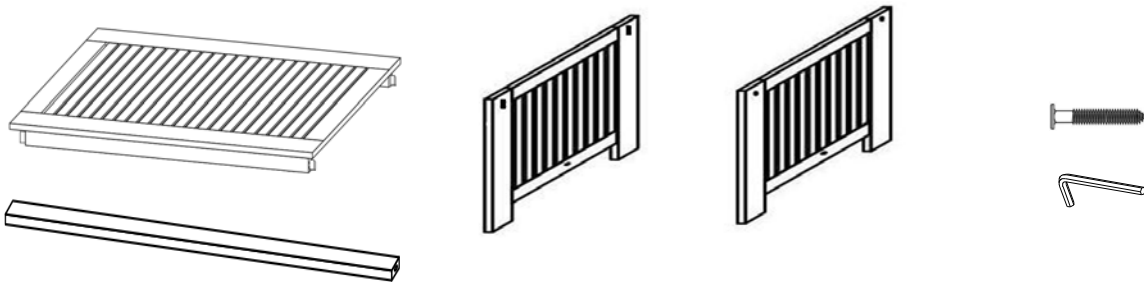
B2		Left Side Panel	1
C		Support Bar	1

Hardware

No.	Picture	Description	Qty
D		Screw (M7*70mm)	7
F		Allen Key(4*98mm)	2

Assembly Preparation

Before Beginning Assembly:



- Read instructions, cover to cover-



- Have 2 adults on hand for assembly-



- Do not assemble on flooring or carpet-

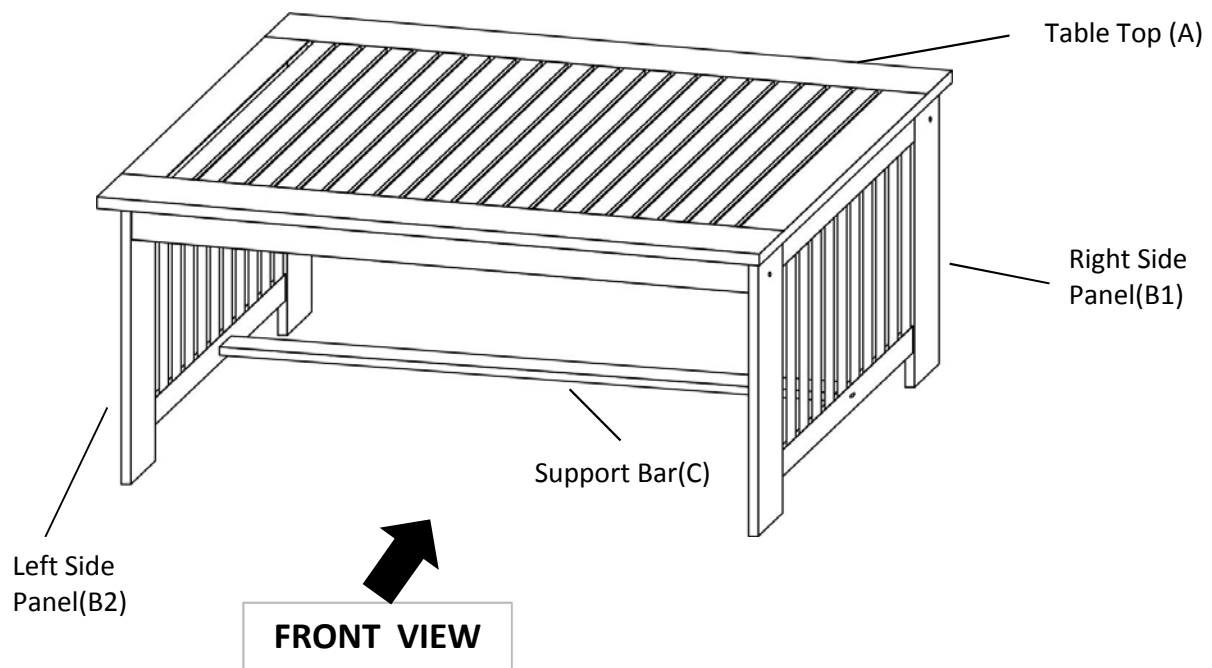


- Assemble on a clean non-marring surface (packing foam)-



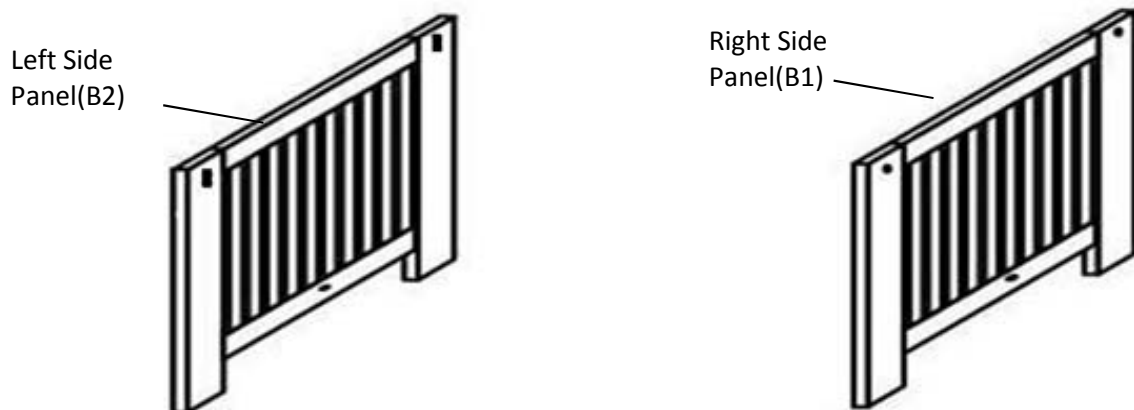
- Save all packaging until finished-

Assembly Steps



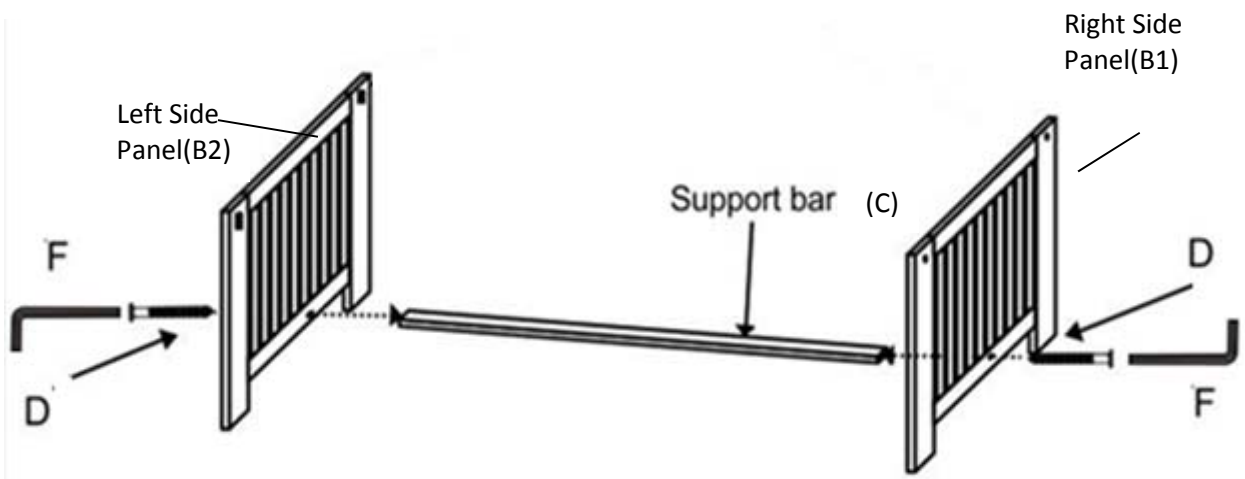
This Table has multiple parts and may require up to some 30 minutes to assemble. To give you an overview of the Table, the above picture is to help you put the various parts into perspective. Please read through the instructions here below to familiarise the parts and steps before assembly.

Step 1



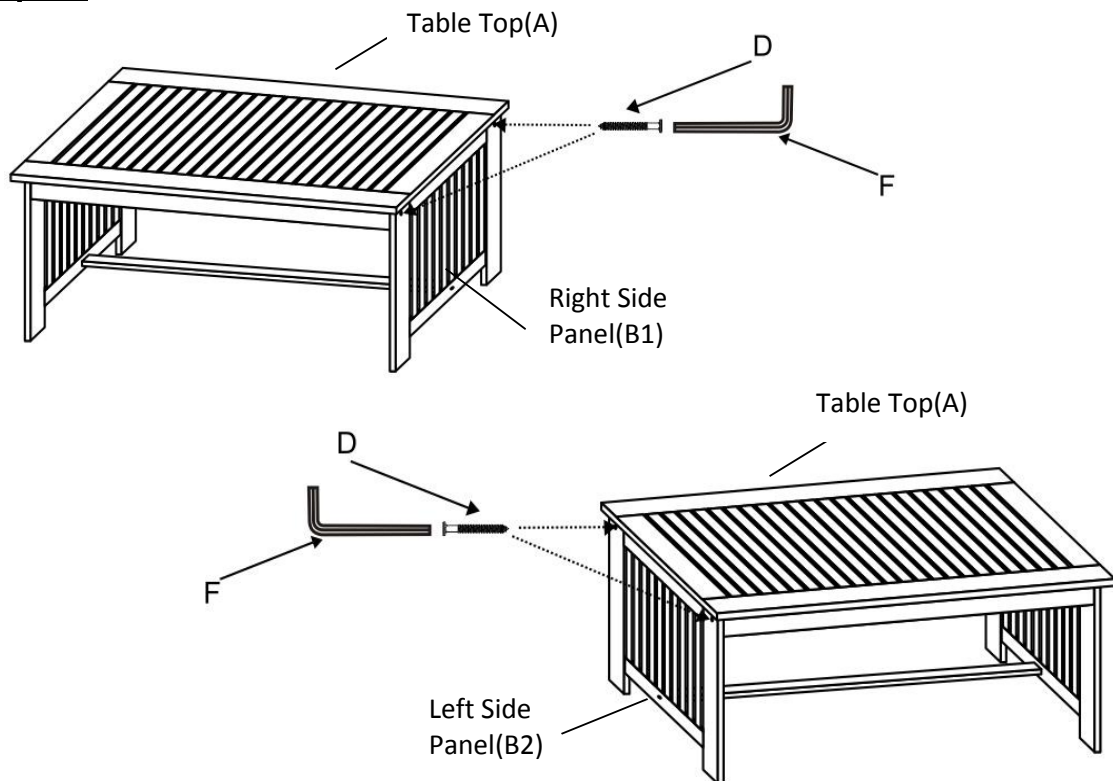
Put the Right side panel(B1) & Left Side Panel(B2) on the table for easiest assembling position.

Step 2



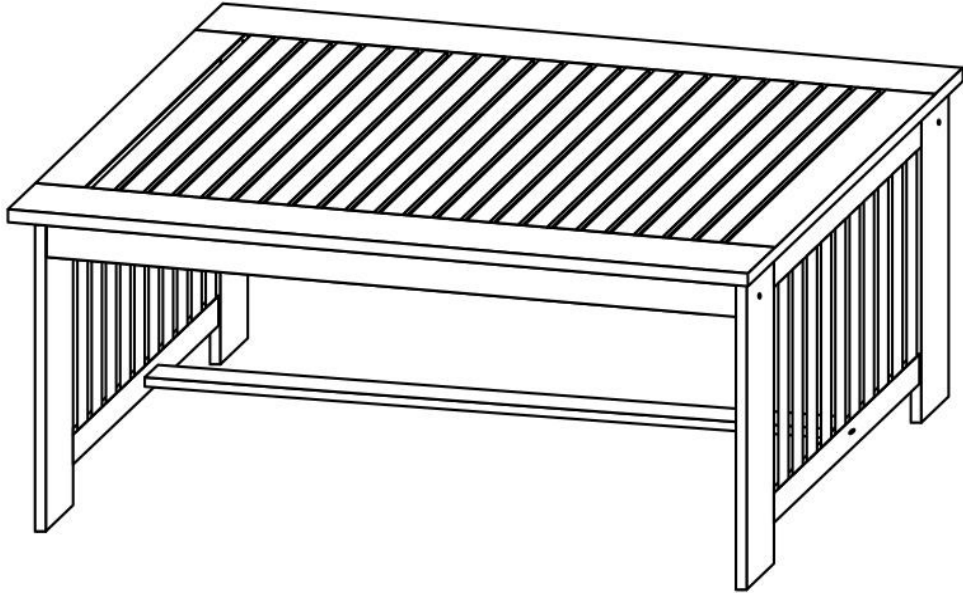
Use Screws (D) to connect the two Side Panel (B1&B2) with Support Bar(C) as shown.
Do not tighten completely.

Step 3



Use Screw (D) to connect Right Side Panels (B1) to Table Top (A).
Fix the Right Side Panel (B1) by using Screw (D) with Allen Key (F).
Repeat the same process for the Left side Panel (B2).

Step 4



Inspect it and make sure all parts are adequately connected.
In a sequential manner, ensure all Screws are fully locked into position and secured.
The Coffee Table is ready to be used.

CAUTION : When tightening these screws, tighten sequentially.



















DO NOT tighten any screw fully and then towards the next one.

This would cause the frame to warp.

If there is still wobbles, loosen the screws and execute this same drop tests.

IF TABLE IS NOT STABLE , IT COULD LEAD TO DAMAGING THE PRODUCT.

Care & Maintenance

-   ● Do not put hot items directly on furniture surface
 -   ● Do not clean furniture with harsh cleansers or polish.
 -   ● To obtain the longest lifespan of your outdoor products, minimizing exposure to direct sunlight is recommended.
 -   ● Children should not climb or jump on the furniture.
 -   ● Do not write on furniture without a padded barrier to protect the surface.
 -   ● To obtain the longest lifespan of your outdoor products, avoid extended and lengthy exposure to rain, snow, and direct sunshine. Whenever possible cover the product and /or place under patio or awnings.
 -   ● Not for commercial use. For residential use only .
 -   ● Stains may be removed with mild soap solution and damp cloth.
-
-   ● Dust and pick-up spills using a clean, non-colored, lint-free cloth .

What is Proposition 65?

Proposition 65 is a California law that requires warning labels on products that may contain one of more than 800-plus chemicals or ingredients that the California Office of Environmental Health Hazard Assessment (OEHHA) has deemed to cause cancer or other reproductive toxicity. Chemicals and elements on this list include wood dust, brass, and other everyday substances, which can be found in very common household items, such as: lamps, tableware, jewelry, crystal glasses, electric cords, beauty products, automobiles, and furniture.

Why Did I Find a Proposition 65 Warning on My Home Goods Product?

We include Proposition 65 warnings on all of our products because there is always a chance that one of the 800-plus common chemicals and ingredients listed under this law could potentially be on our furniture or packing materials. We risk large fines under this law, if we don't include this warning.

Should I worry?

We realize you may be worried finding this warning on our products, but we want to reassure you that the hazardous exposure limits for any of these chemicals have never been found on furniture products that we've shipped to our customers. Additionally, this warning label is very common and can be found on almost every piece of furniture sold in the state of California.

Just How Common Are Proposition 65 Warnings?

Proposition 65 warnings have become so common in California that it is hard to take a trip to a local bank, grocery store, or restaurant without finding at least one warning. In fact, even the Disney Land Resort has a Proposition 65 warning:

