

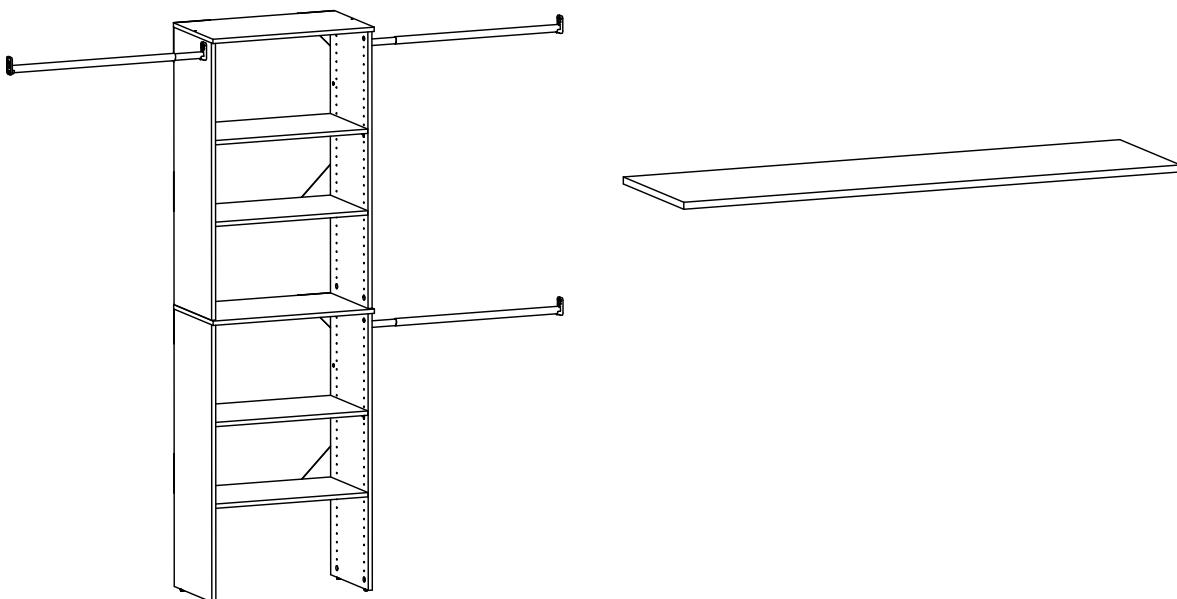
CLOSETMAID[®]

Style+ Standard Combo Kit

INSTALLATION TIPS

PARTS

Item #	Qty.	Part
6701		White Standard Combo Kit
4365	1	Standard Closet Kit with Rods
2094	3	Top Shelf
6702		Coastal Teak Standard Combo Kit
3272	1	Standard Closet Kit with Rods
2096	3	Top Shelf
6703		Modern Walnut Standard Combo Kit
4368	1	Standard Closet Kit with Rods
2098	3	Top Shelf
6704		Bleached Walnut Standard Combo Kit
4367	1	Standard Closet Kit with Rods
2097	3	Top Shelf
6705		Chocolate Standard Combo Kit
4369	1	Standard Closet Kit with Rods
2100	3	Top Shelf
6706		Noir Standard Combo Kit
4370	1	Standard Closet Kit with Rods
2106	3	Top Shelf



GETTING STARTED

- Please refer to the instruction sheet provided in the product package for a list of the required and recommended tools.
- Double check you have all included parts for the products.
- Examine your space and plan where you want to install your tower(s) and rods.
- Assemble and place your tower(s), making sure they are attached to the wall as instructed.
- Measure the rod lengths for each side. The distance between the unit(s) and wall(s) should not exceed 48 in. as the top shelves and closet rods fit a maximum of 48 in.
- The closet rods can expand between 30 in. to 48 in. If your desired length is less than 30 in., the rod will need to be cut.
- Install the closet rods and top shelves.