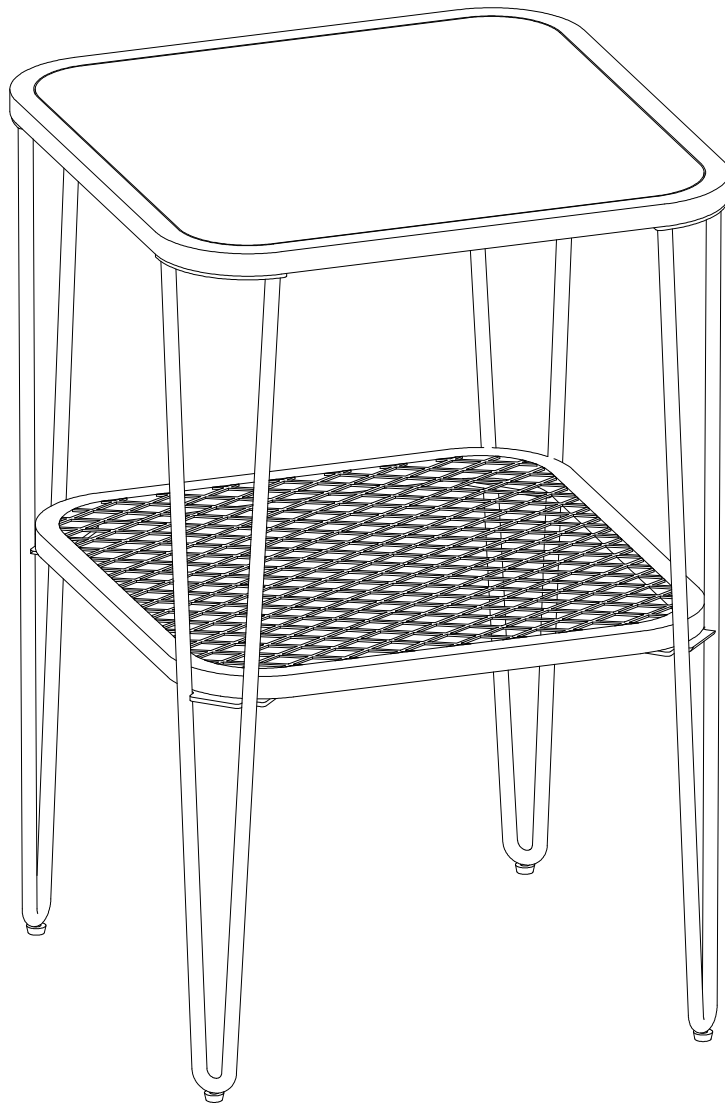


Item # : AF16LOST

Assembly Instructions



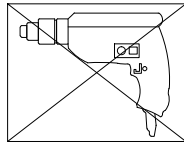
Walker Edison®

Please visit our website for the most current instructions, assembly tips, report damage, or request parts. www.walkerredison.com

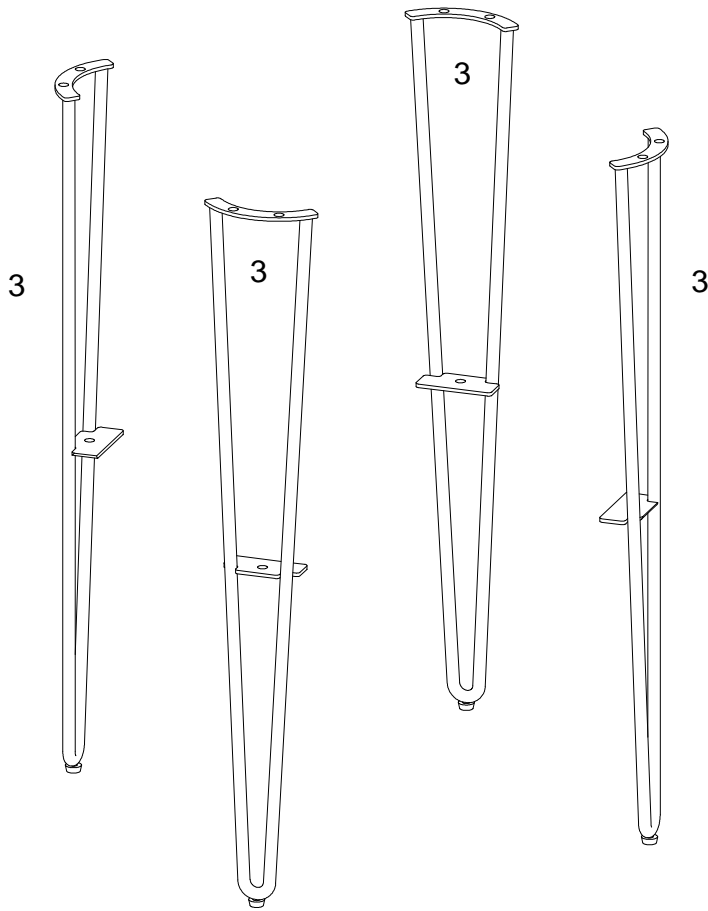
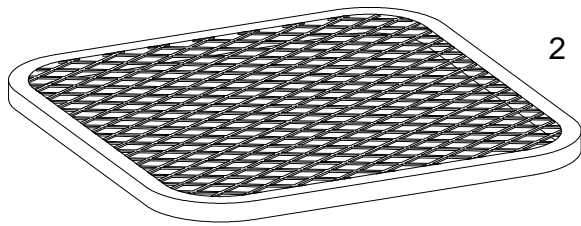
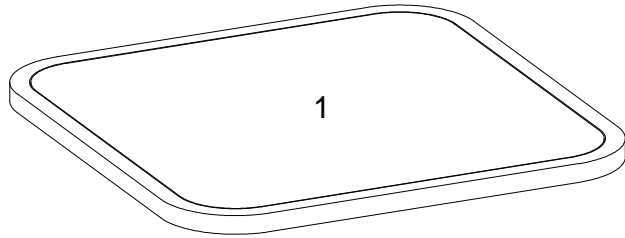
Revised 24/10/2018

General Assembly Guidelines

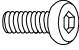

- I. Ensure that all parts and hardware are available before beginning assembly.
- II. Follow each step carefully to ensure the proper assembly of this product.
- III. Two people are recommended for ease in the assembly of this product.
- IV. The main type of hardware used to assemble this product is:bolts.
- V. Power tools should not be used to assemble this product.



Parts List

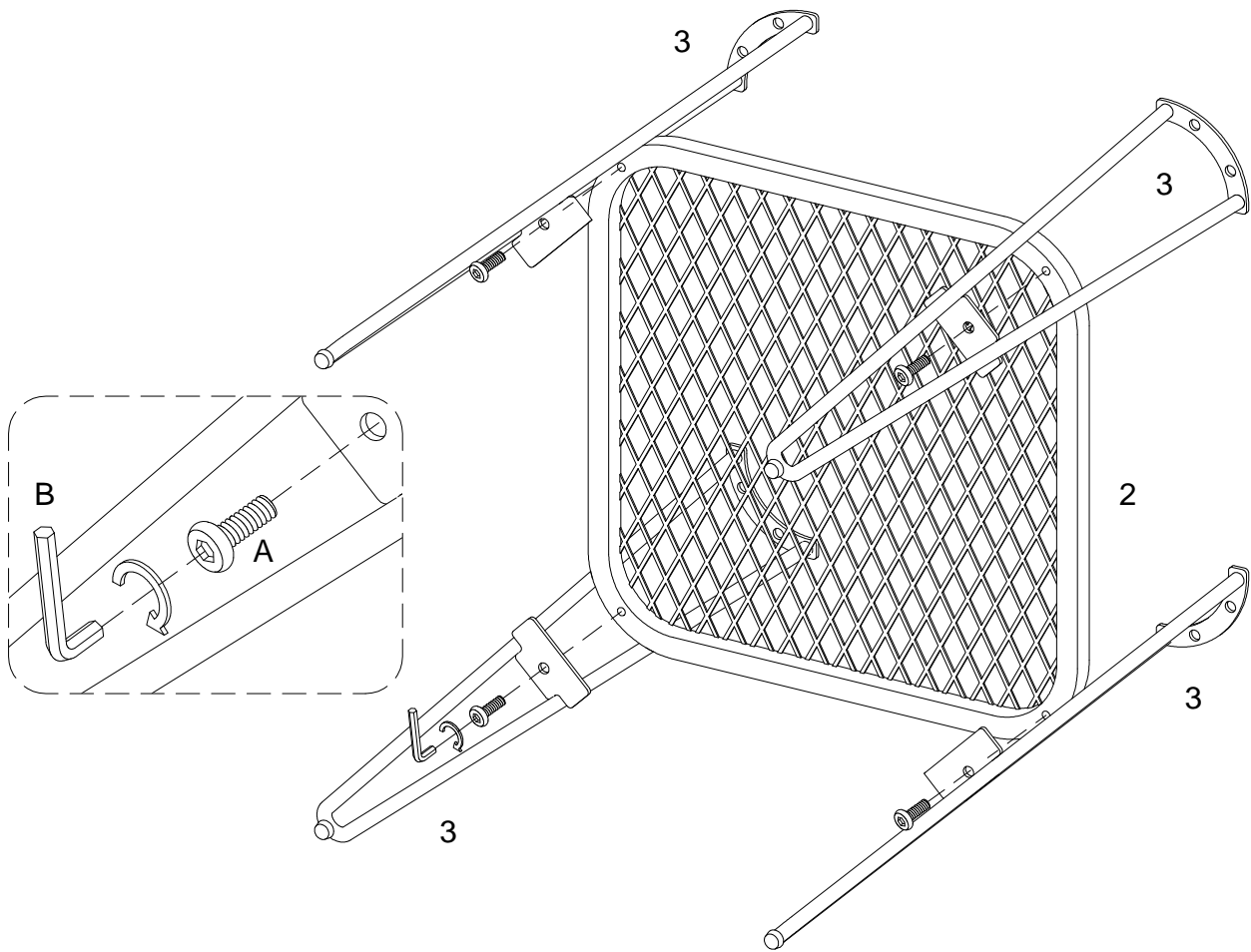


Hardware List

A		Ø6x12mm	Bolt	12 pcs
B		M 4	Hex Key	1 pcs

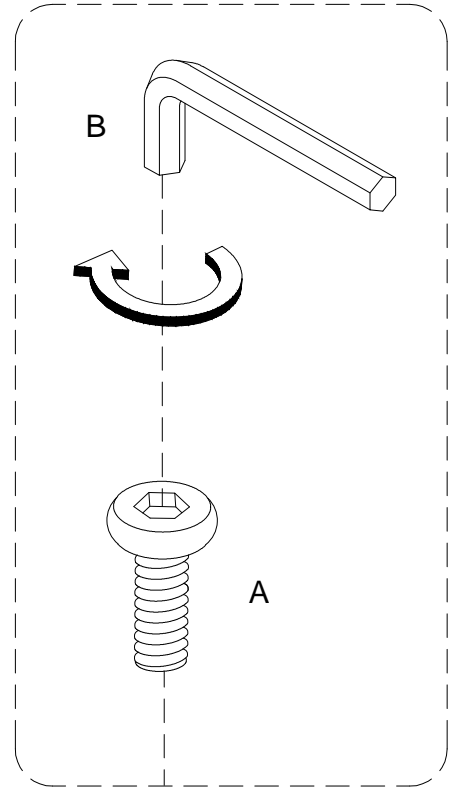
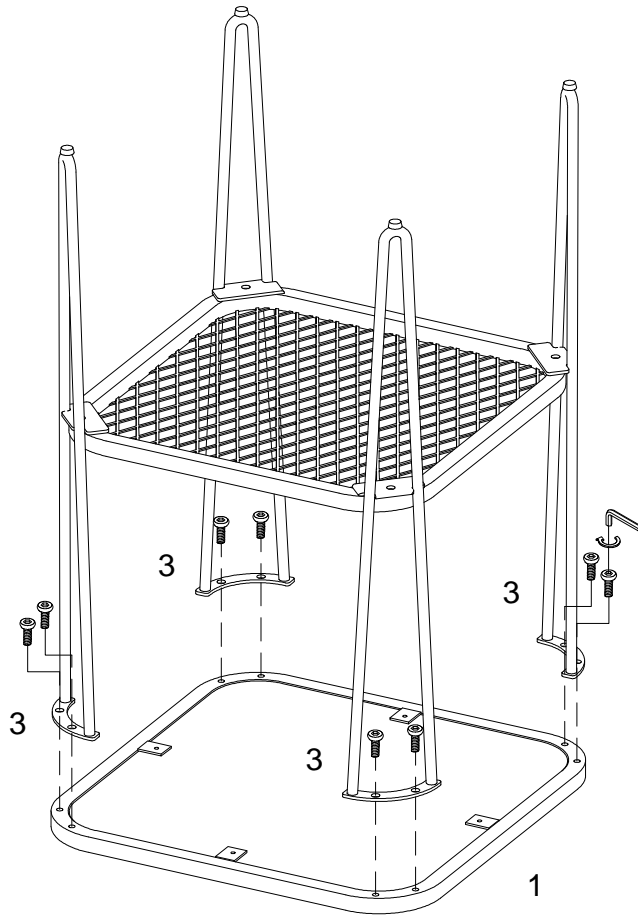
*The hardware quantities listed above are required for proper assembly.
Some extra hardware may also have been included.*

Step 1



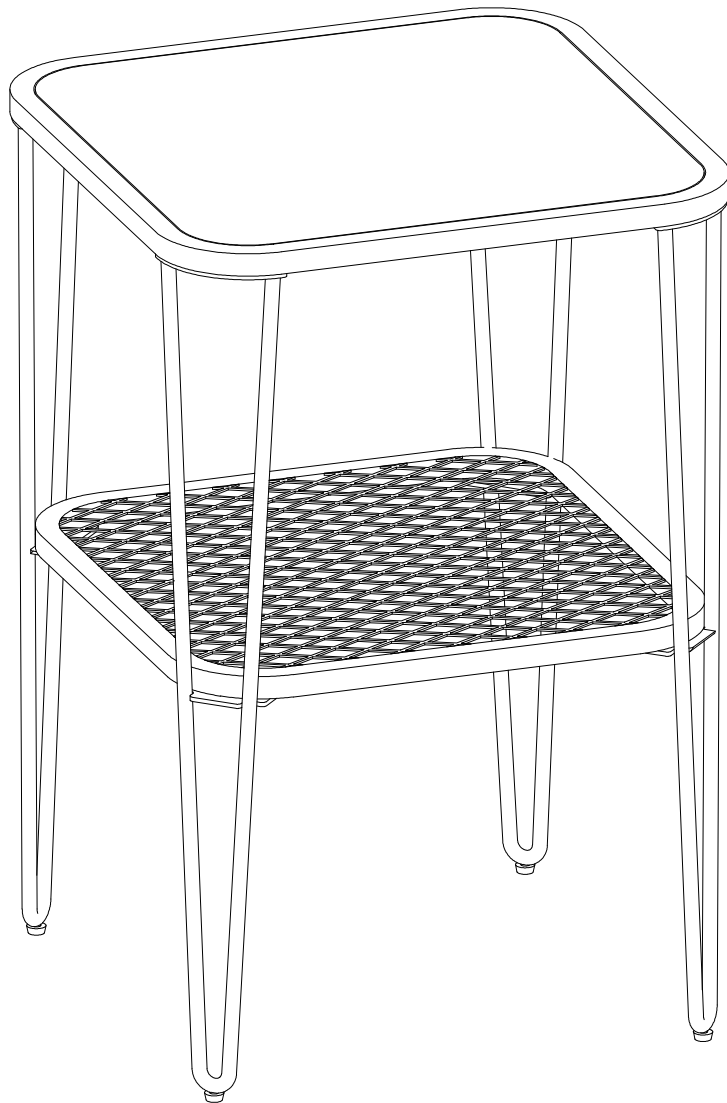
Attach part (2) to part (3) using bolt (A) with hex key (B).

Step 2



Attach part (3) to part (1) using bolt (A) with hex key (B).

Step 3



Final Assembly