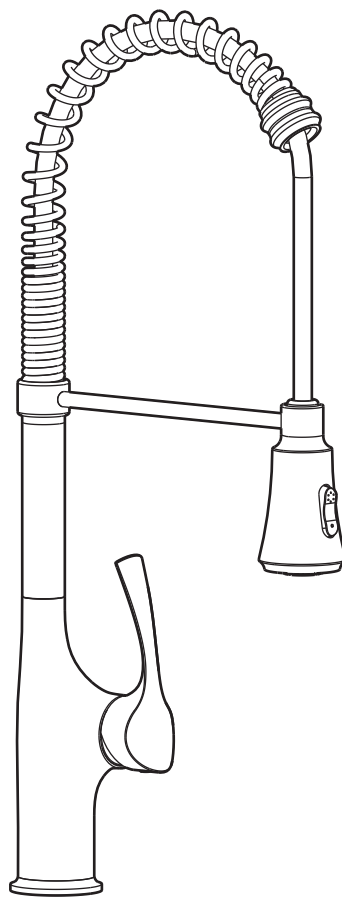




Model #F2116

STAINLESS STEEL PULL-DOWN KITCHEN FAUCET



THANK YOU

We appreciate the trust and confidence you have placed in Glacier Bay through the purchase of this kitchen faucet. We strive to continually create quality products designed to enhance your home. Visit us online to see our full line of products available for your home improvement needs. Thank you for choosing Glacier Bay!

Table of Contents

Important Information.....	2	Installation	4
Warranty.....	2	Care and Cleaning	9
Pre-Installation	2	Troubleshooting.....	9
Planning installation.....	2		
Tools and Hardware Required.....	2		
Part List	3		

Important Information

- Observe all local plumbing and building codes.
- Cover the sink drain to avoid losing any parts.
- Review all the warnings, care, and maintenance information.

Warranty

LIMITED LIFETIME WARRANTY

Glacier Bay products are manufactured with superior quality standards and workmanship and are backed by our limited lifetime warranty. Glacier Bay products are warranted to the original consumer purchaser to be free of defects in materials or workmanship. We will replace FREE OF CHARGE any product or parts that prove defective. Simply, return the product / part to any of The Home Depot retail locations or call 1-855-HD-GLACIER (1-855-434-5224) to receive the replacement item. Proof of purchase(original sales receipt) from the original consumer purchaser must be made available for all Glacier Bay warranty claims.

This warranty excludes incidental/inconsequential damages and failures due to misuse, abuse or normal wear and tear. This warranty excludes all industrial, commercial & business usage, whose purchasers are hereby, extended a five year limited warranty from the date of purchase, with all other terms of this warranty applying except the duration of warranty.

Some states and provinces do not allow the exclusion or limitation of incidental or consequential damages, so the above limitations may not apply to you. This warranty gives you specific legal rights and you may also have other rights that vary from state to state and province to province. Please see a store or contact 1-855-HD-GLACIER for more details.

Pre-Installation

PLANNING INSTALLATION

Before beginning the installation of this product, ensure all parts are present. Compare parts with the Part List. If any part is missing or damaged, do not attempt to install the product. Contact Customer Service for replacement parts.

TOOLS AND HARDWARE REQUIRED



Adjustable wrench



Safety goggles



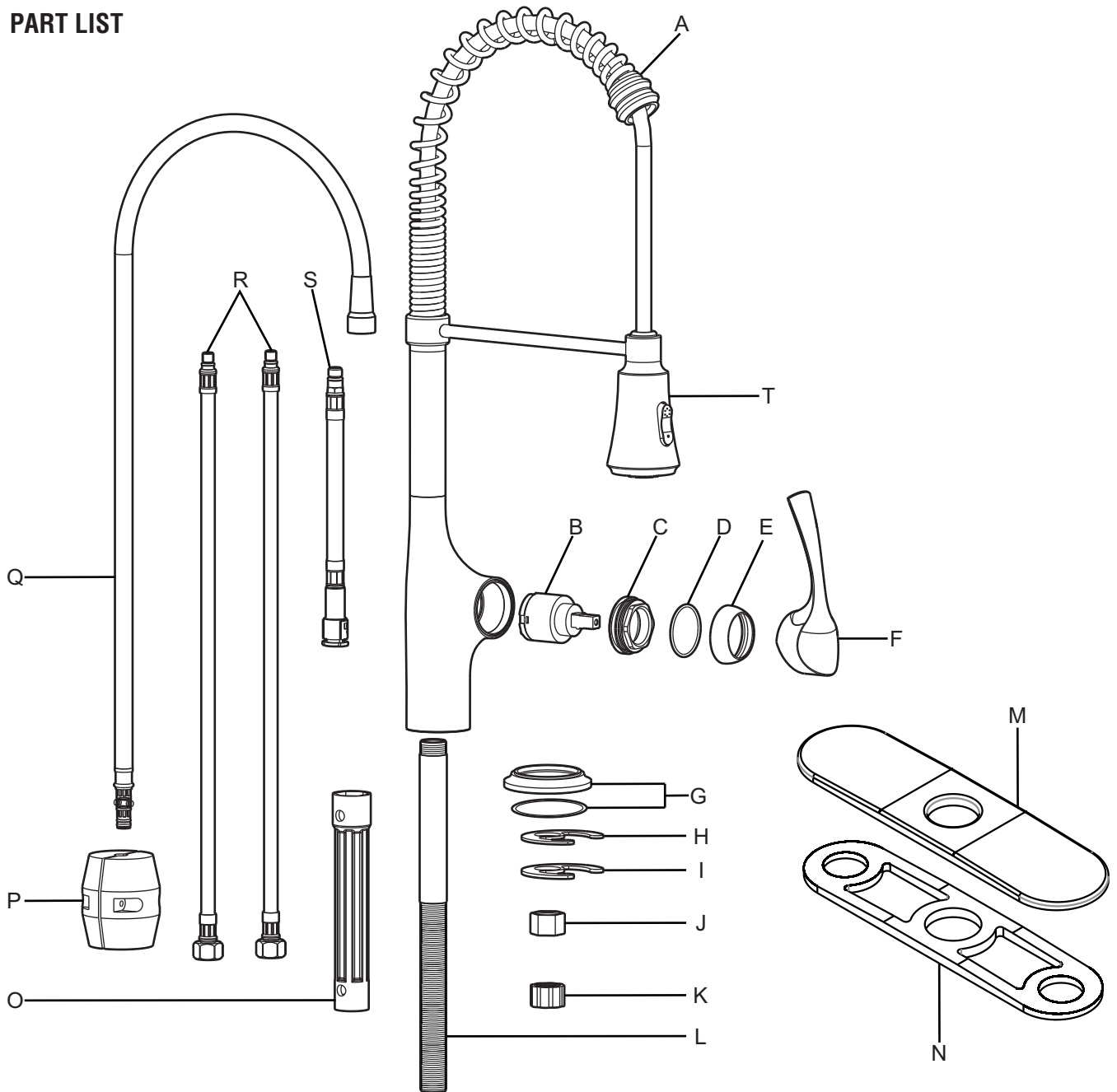
Phillips screwdriver



Silicone sealant

Pre-Installation (continued)

PART LIST



Part	Description	Quantity
A	Faucet Assembly	1
B	Cartridge	1
C	Screw Nut	1
D	O-ring	1
E	Cap	1
F	Handle	1
G	O-ring	1
H	Rubber Washer	1
I	Metal Washer	1
J	Fixing Nut	1

Part	Description	Quantity
K	Hose Protector	1
L	Mounting Shank	1
M	Escutchen	1
N	Waterproof Foam	1
O	Tool	1
P	Weight	1
Q	Pull-out Hose	1
R	Supply Hose	2
S	Outlet Hose	1
T	Spray Head	1

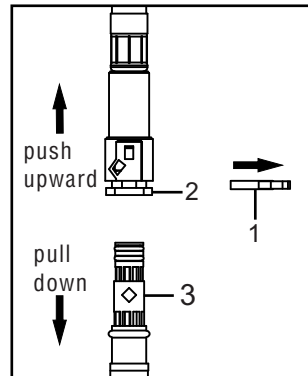
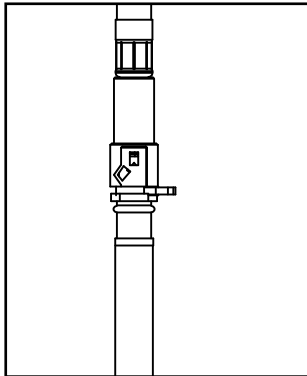
Installation

1 Preparing for installation



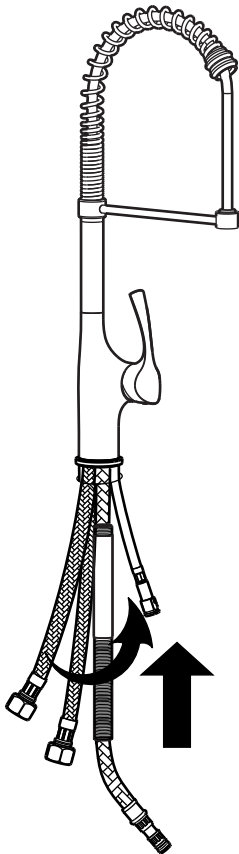
CAUTION: Always shut off the water supply before removing or replacing any part of a faucet. Open the handle to relieve water pressure and ensure that the water is completely shut off.

- Remove the weight (P).
- Remove the protective clip (1) on outlet hose (S). Push the tab (2) of outlet hose (S) upward and then pull down the quick connector (3) of pull-out hose (Q) to disconnect them.
- Unscrew the hose protector (K), screw nut (J), metal washer (I) and rubber washer (H).
- Check that the pre-assembled supply hoses (R) and outlet hose (S) are tightened securely.



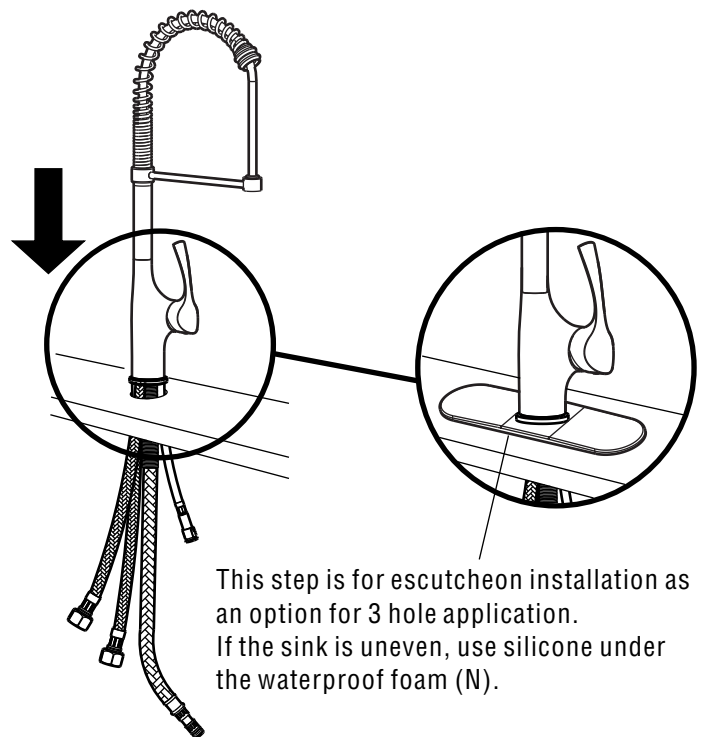
2 Assemble the faucet

- Put pull-out hose (Q) through the mounting shank (L).
- screw the mounting shank (L) into the faucet assembly (A).



3 Installing the faucet assembly

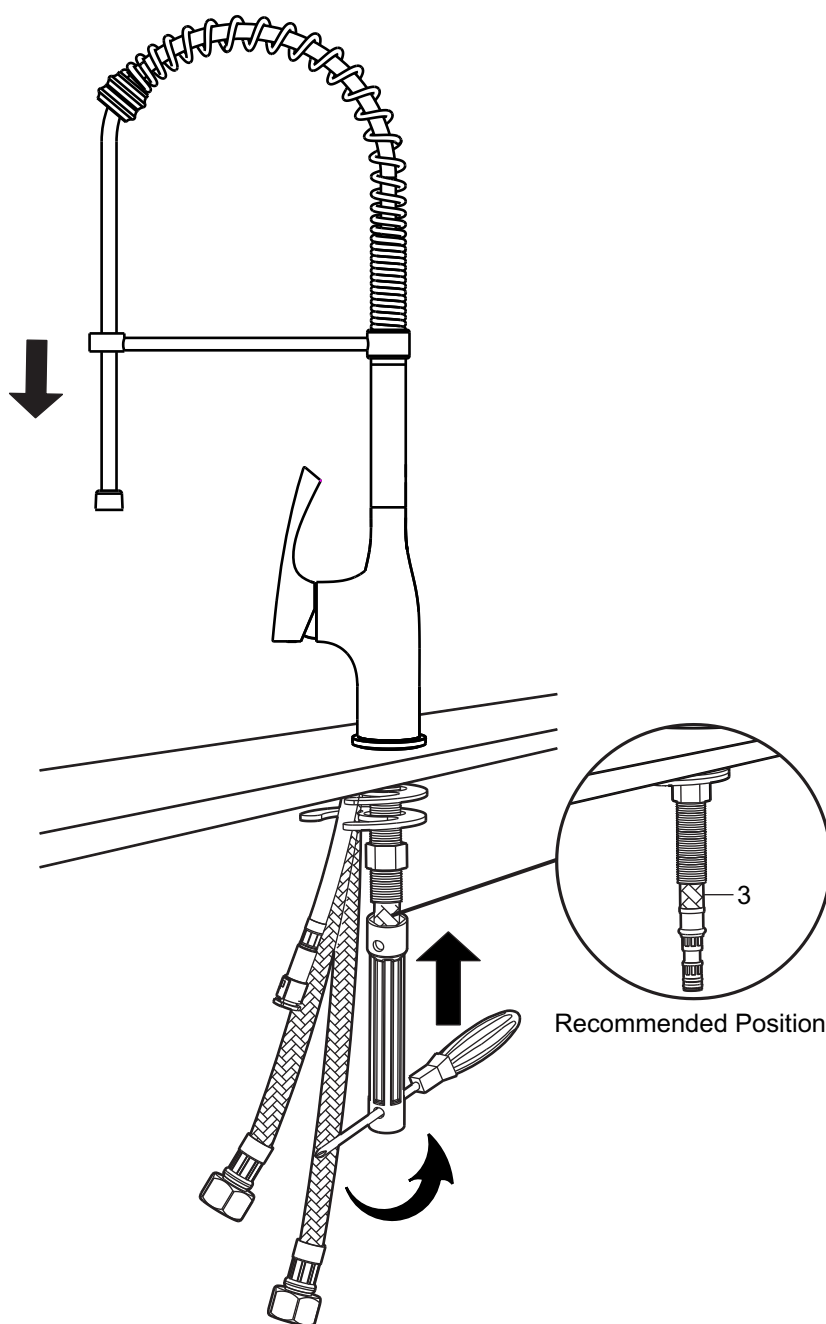
- Insert the faucet assembly (A) through the hole.
- Use the escutcheon (M) and waterproof foam (N) if needed.



This step is for escutcheon installation as an option for 3 hole application. If the sink is uneven, use silicone under the waterproof foam (N).

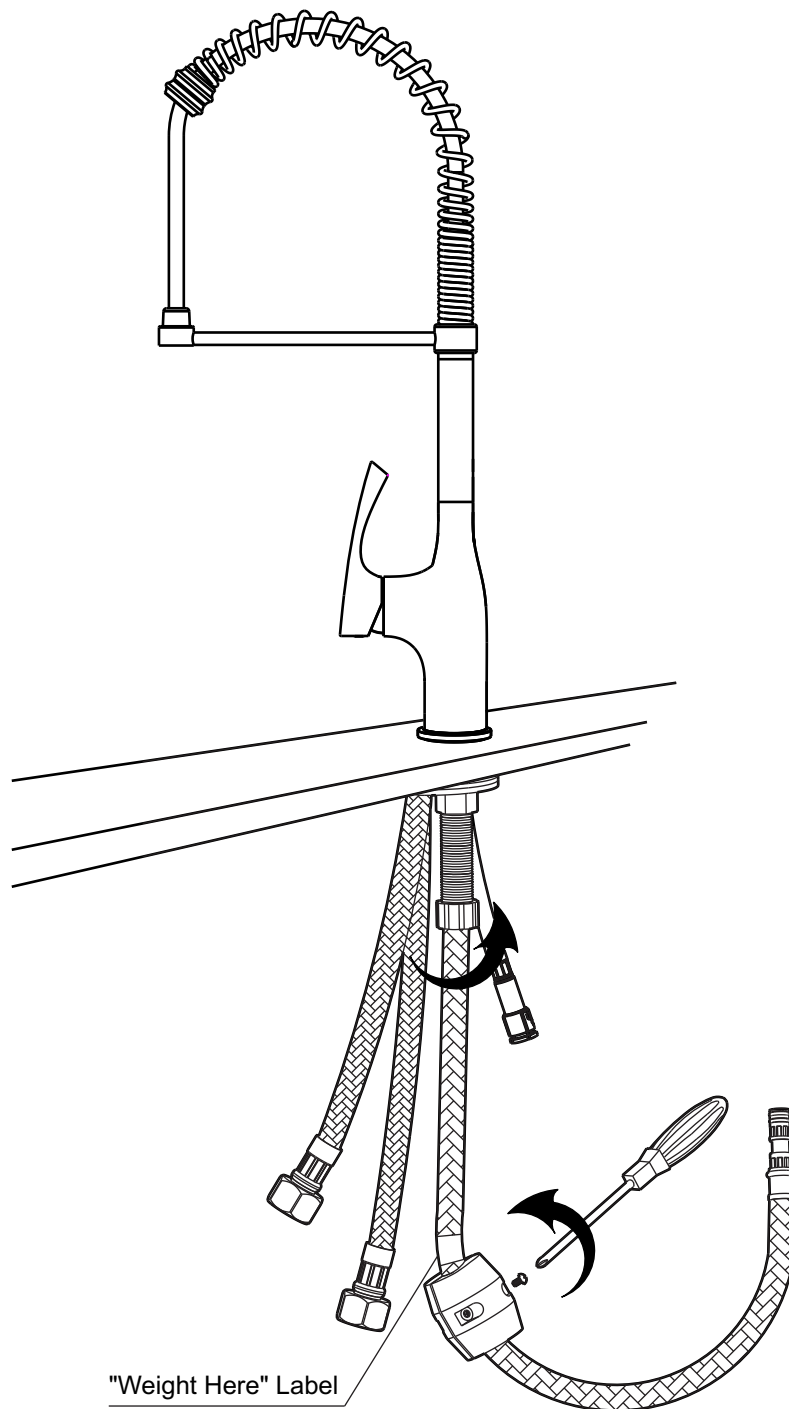
4 Securing the faucet assembly

- Pull out the hose (Q) slowly to recommended position where the quick connector (3) stay right out of the mounting shank (G). DO NOT pull out the hose (Q) completely from the faucet (A).
- Install the rubber washer (H), and metal washer (I) onto the threaded mounting shank (L).
- Thread the fixing nut (J) onto the mounting shank (L). Lock it into position by tightening with the provided tool (O) and Philips screwdriver. Do not overtighten.



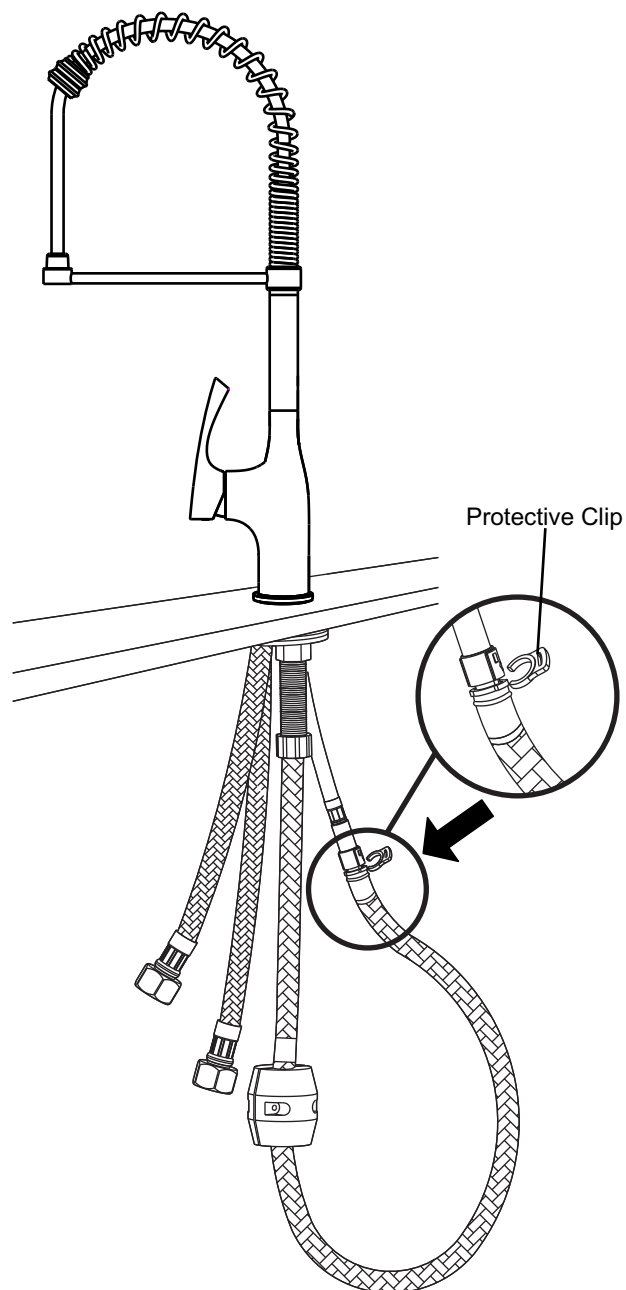
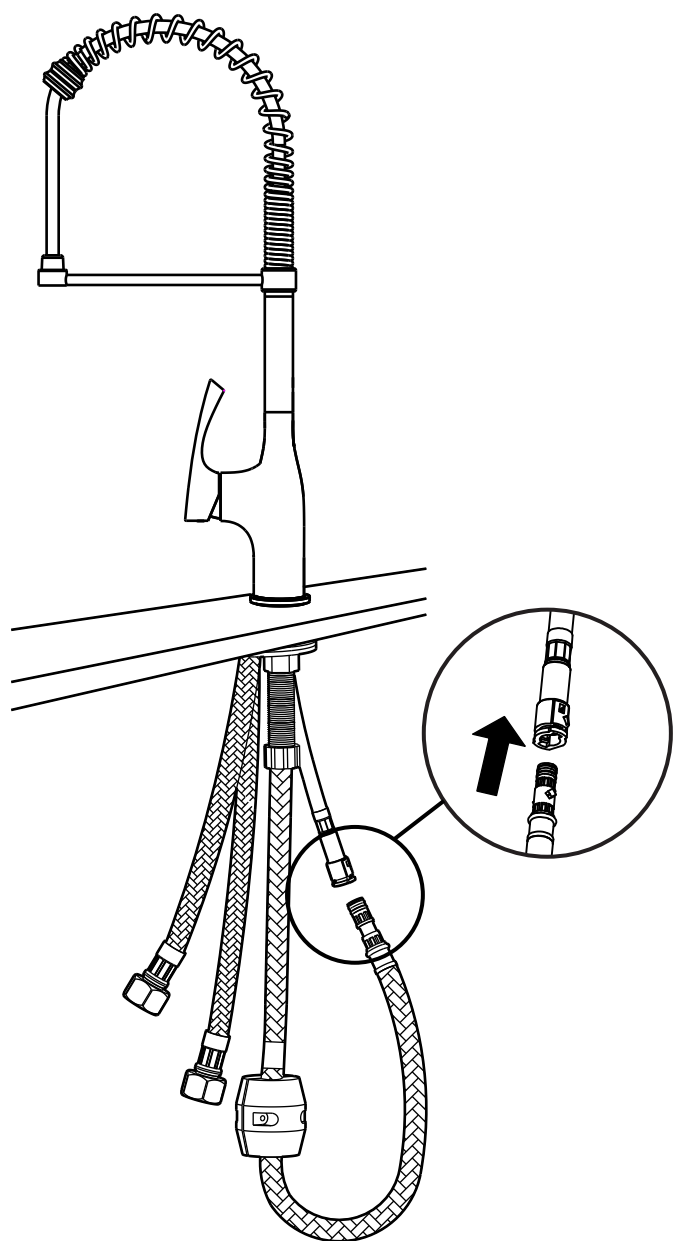
5 Installing the weight

- Push the pull out hose (Q) back inside the faucet (A).
- Install the hose protector (K) onto the mounting shank.
- Install the weight (P) at the point of the hose marking "Weight Here".



6 Attaching the quick connector to the receiving block

- Push the quick connector of pull-out hose (Q) firmly upward and attach it to the receiving block of outlet hose (S). Push until a “Click” is heard. Tug downward to test engagement.
- Attach the protective clip on the outlet hose (S).



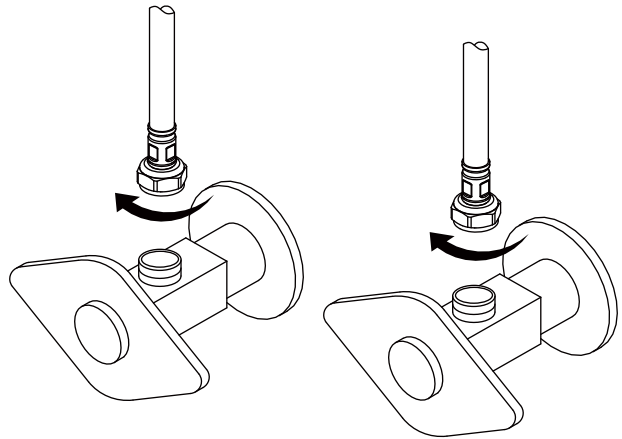
Installation (continued)

7 Making the water supply connections



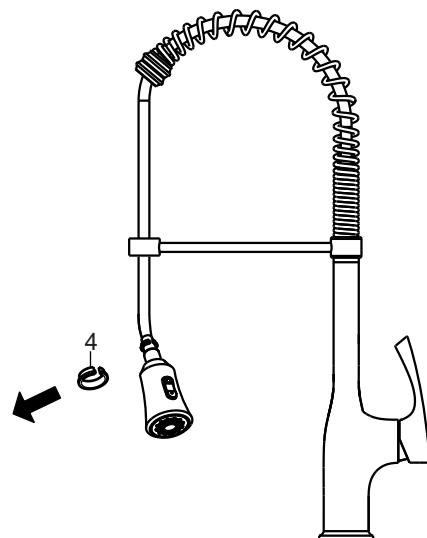
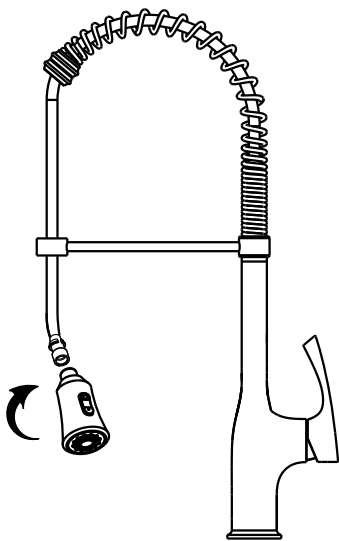
CAUTION: The hot and cold inlet tubes are indicated by their colors: red means hot and blue means cold. Avoid twisting wires together or placing the wires close to each other and damaging.

- Thread the nut on the supply hose (R) onto the outlet of the water supply valve and tighten with a wrench. Do not overtighten.



8 Install the spray head

- Install the spray head (T) onto the pull-out hose (Q).
- Remove the protective cap (4) on the end of pull-out hose (Q).
- Pull the hose assembly from the spout and check for smooth operation. Check the sprayer by pushing the button to switch from stream to spray.



Care and Cleaning

- To clean, wipe down with a damp cloth and dry with a towel.
- Do not use abrasive cleaners, steel wool, or harsh chemicals when cleaning this faucet, or the warranty will be voided.

Troubleshooting



NOTE: Refer to the service parts on the website for a detailed drawing showing the location of the parts listed below.

Problem	Possible Cause	Possible Cause
There are leaks underneath the handle.	The screw nut has come loose and the o-ring on the cartridge is dirty or damaged.	<input type="checkbox"/> Tighten the screw nut. Clean or replace the cartridge or o-ring.
The aerator leaks or has an inconsistent water flow pattern.	The aerator is dirty or misfitted. The cartridge may be clogged.	<input type="checkbox"/> Remove the aerator and check for debris in the aerator screens. <input type="checkbox"/> Remove the cartridge and check for debris. <input type="checkbox"/> Ensure the aerator is properly installed.
There are leaks from the hose underneath the deck.	The supply hose and outlet hose connection may be loose.	<input type="checkbox"/> Tighten the connection of the hoses.
The hose does not retract.	The weight is not installed in the appropriate position.	<input type="checkbox"/> Reinstall or readjust the weight.
The water pressure is low.	The connector underneath the deck is clogged with debris. The aerator is clogged.	<input type="checkbox"/> Turn off the water supply and disconnect the connector / aerator. <input type="checkbox"/> Unscrew the connector / aerator and clean under running water. <input type="checkbox"/> Screw the connector / aerator back. <input type="checkbox"/> Test water flow. If water pressure is still low then replace the connector / aerator.
There is no hot or cold water.	The water supply hose was accidentally kinked during installation and is limiting the water flow through.	<input type="checkbox"/> Reinstall the water supply hose.



Questions, problems, missing parts? Before returning to the store,
call Glacier Bay Customer Service
8 a.m. - 7 p.m., EST, Monday-Friday, 9 a.m. - 6 p.m., EST, Saturday

1-855-HD-GLACIER

[HOMEDEPOT.COM/GLACIERBAY](https://www.homedepot.com/glacierbay)

Retain this manual for future use.