

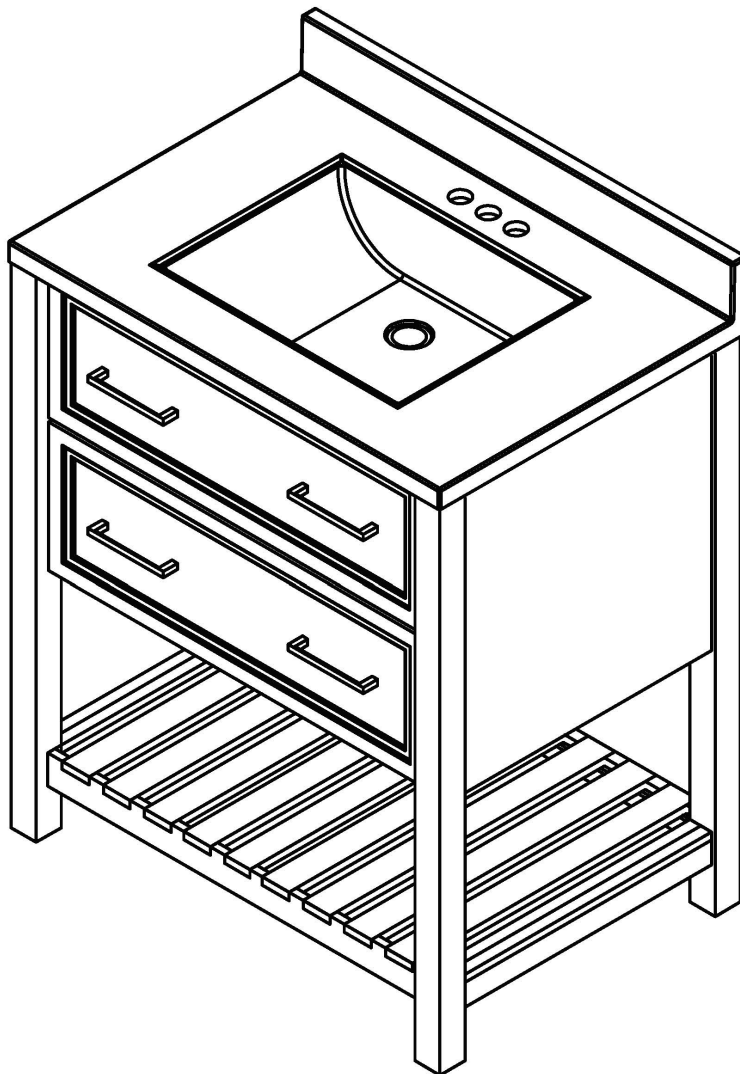


AMLUXX

AMLUXX VANITY OWNERS MANUAL

**Customer Support #: +1(312)838-8150
Email: info@allwetrade.com**

*Displayed image may differ from your model

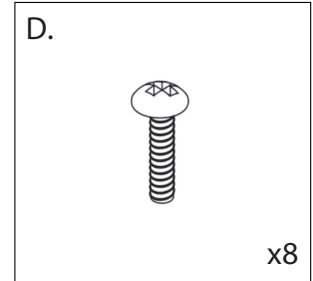
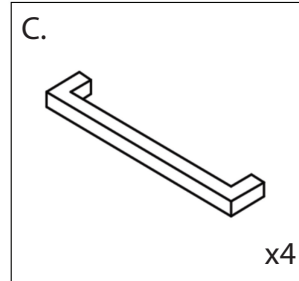
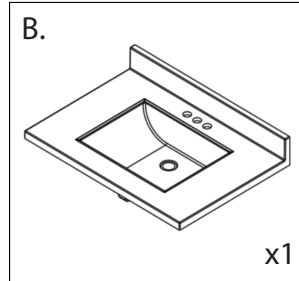
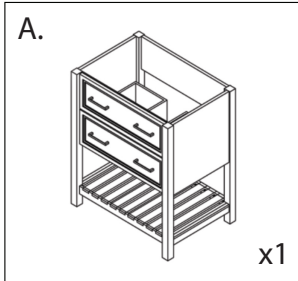




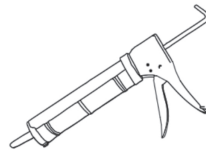
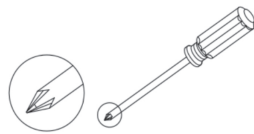
AMLUXX

AmLuxx Bathroom Vanity Set

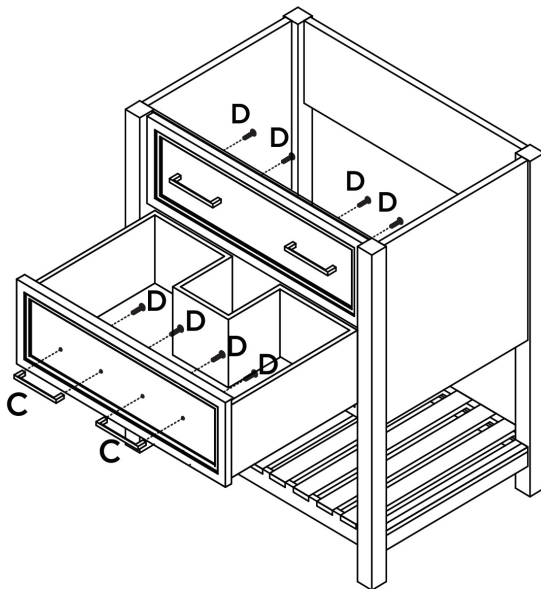
Parts List



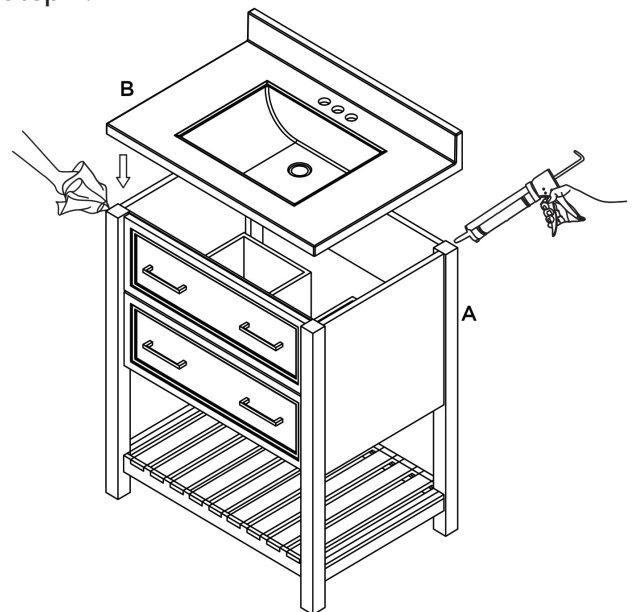
Tools Needed



Step 1.



Step 2.

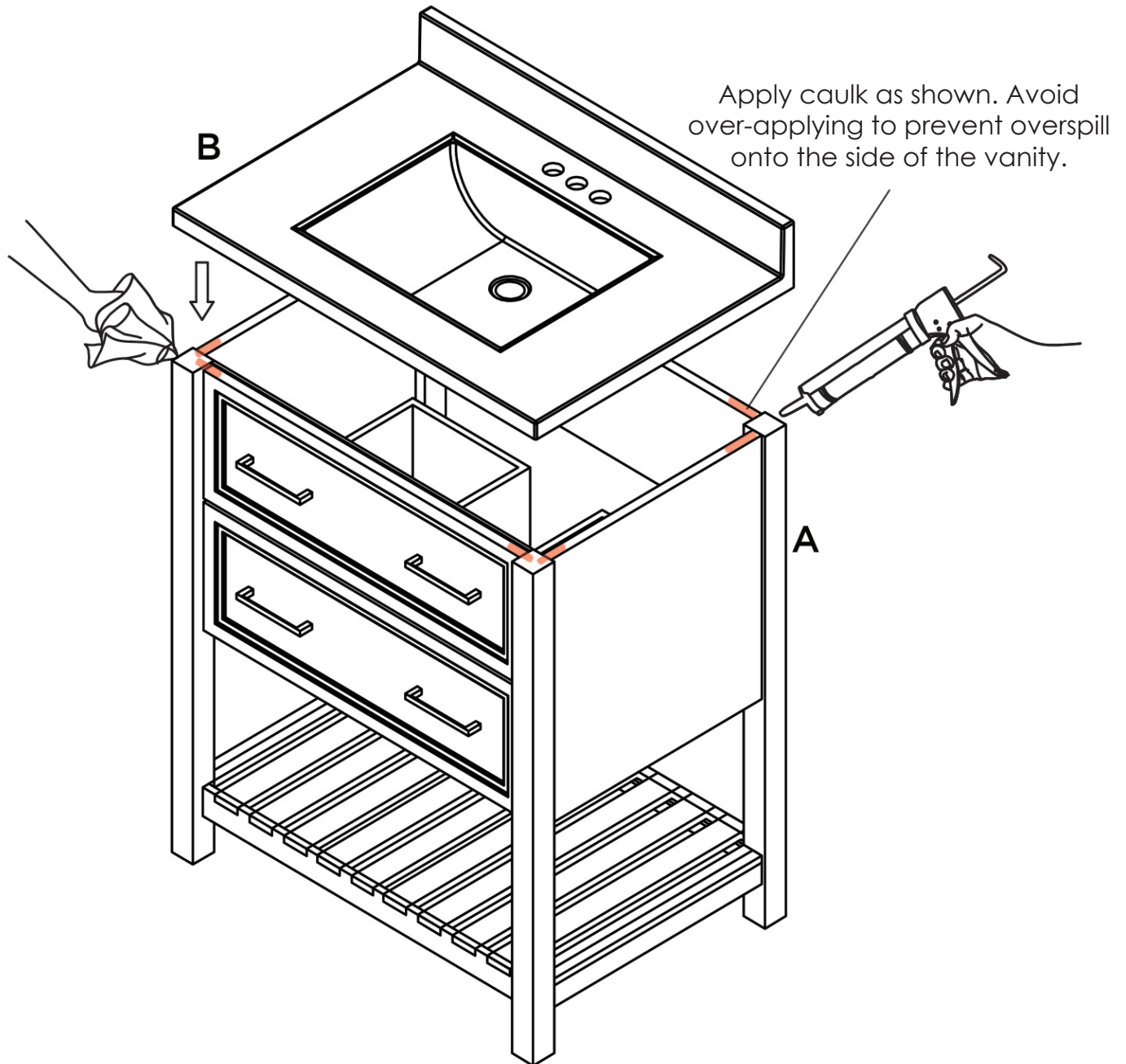


AmLuxx Bathroom Vanity Set



AMLUXX

Apply silicone caulk/sealant (not included) to all four corners of the vanity cabinet. Be sure to position the vanity top so that there is equal amount of overhang on each side.





AMLUXX

Care and Maintenance

Thank you for purchasing an Amluxx Vanity. Your newly assembled furniture is constructed using only the finest materials and captures the essence of timeless beauty and style. At Amluxx, each piece of quality cabinetry is designed with the customer in mind. Every aspect of what we do revolves around the customer's needs. Should you have any questions about your furniture, we would like to address the concern quickly. Our trained staff is ready to help you with quick, efficient service. Please call our Customer Service number: **+1(312)838-8150**

Keeping Your Furniture Beautiful

Quality wood furniture is a significant investment expected to last for generations. To maintain its beauty and help it last, wood furniture needs the right care. Our vanities are finished with two to three coats of lacquer for extra depth and long-lasting durability. The sheen, or gloss, of the finish ranges from high to low, depending on the piece or collection.

The finish protects the wood and adds to its beauty. No finish is totally indestructible, but with regular care, the finish will last much longer, providing years of enjoyment to you.

To protect and care for your furniture, we suggest the following:

Avoid placing your vanity in direct sunlight, as sunlight causes fading.

Clean up spills immediately. Use a blotting rather than a wiping action. Water left over a long period of time will cause white spots in the finish.

Alcohol, perfume, after-shave and medications can cause severe finish damage.

Cleaning and polishing your furniture:

We recommend dusting frequently with a clean, soft, dry, lint-free cloth. Clean the surface by rubbing in the direction of the grain. We recommend polishing your furniture approximately every six months, using a clean, soft, lint-free cloth and rubbing the polish in the direction of the grain.

What furniture care products do we recommend?

We recommend polishes which contain detergents, emulsifiers and mineral oil. The detergents clean dirt from the furniture, the emulsifiers give it body to clean and last longer and the mineral oil is left behind as a barrier for dirt and moisture that could harm finishes. There is no grit to harm the finish, no wax to build up and no silicone to raise the sheen and act as a barrier for touch-up and refinishing.

Sink Care and Maintenance

Clean the surfaces with mild soap and warm water. Then dry with a soft cloth.

Warranty Information



AMLUXX

Each of our cabinets is covered by a 1 year Limited Lifetime Warranty and each of our vanity tops is covered by a 5 year Limited Lifetime Warranty. We warrant our products to be free from defects in material or workmanship for a period of one year from the date of delivery.

Additionally, we offer a limited lifetime warranty on our drawer suspension systems. These warranties are made to the original purchaser and are limited to the repair or exchange of any parts which prove defective under normal use during the warranty period.

These warranties do not apply where products have been improperly stored or improperly installed, misused, abused, or modified in any way. They do not cover the costs of removing warranted material or the installation of replacement material. Labor charges for removal or installation of warranted material as well as incidental or consequential damages are excluded. We do not assume any other liability in connection with the sale of our product.