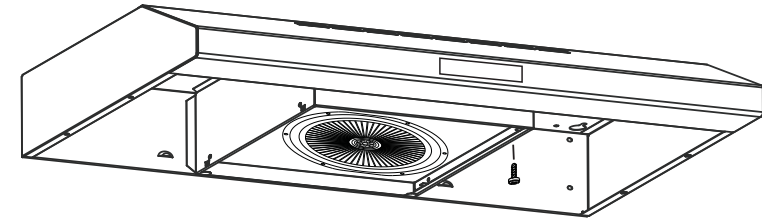




Streamline

UNDER CABINET

Installation Instructions,
Maintenance, Use, and Warranty



S-220-USBFL-30
S-221-USBFL-36

S-220MSH-30
S-221MSH-36



Streamline



IMPORTANT: READ AND SAVE THESE INSTRUCTIONS.
FOR RESIDENTIAL USE ONLY.

Disclaimer: Item purchased may be slightly different from the manual.

A

WARRANTY, RETURNS, & DELIVERY INSTRUCTIONS

3 Year Manufacturer's Parts Warranty

This model comes with a 3-year manufacturer's parts warranty. We will provide free of charge replacement parts for the components that failed due to manufacturing defects. The customer must contact Streamline & provide a description of the issue as well as photos & proof of purchase. If a replacement unit is needed, this will be determined at Streamline's sole discretion. If in fact it is needed, then shipping will be paid for by the customer. The customer is also responsible for replacement part shipping costs. The following parts are not covered by this warranty:

- Lightbulbs
- Metal, aluminum, & charcoal filters

The following is not covered by our warranty:

- Improper maintenance
- Normal wear and tear
- Damage due to accidents, misuse or improper installation
- Use of arsenic products
- Non-reported freight damage
- Deterioration of the appearance of the product or any cosmetic issues such as scratches, chips, rust
- Damage resulting from unauthorized replacement parts or improper modifications

Streamline is released from all liability due to indirect, consequential, or incidental damages. All parts & finishes of Streamline range hoods are warranted to the original purchaser & to be free from defects in material & workmanship. Labor charges and/or damage incurred in installation, repair, or replacement as well as any other kind of loss or damages are excluded. This warranty is valid in the United States and is non-transferrable.

Any applicable implied warranties, including the warranty of merchantability are limited in duration to a period of express warranty as provided herein beginning with the date of original purchase at retail and no warranties, whether express or implied shall be applied to this product.

This warranty does not extend to commercial or institutional use or installation.

Returns

We thank you for your purchase. Here at Streamline®, our goal is to provide customers with exceptional bathroom and kitchen products. We understand that things sometimes don't work out. If you are unsatisfied with your Streamline® product and would like to initiate a return, please reach out to support@streamlinebath.com.

We continue to grow and want to offer the best customer experience possible, and by reaching out to us prior to initiating a return, we can ensure that these issues do not continue in the future.

Deliveries

Immediate inspection is required when receiving Streamline® items. It is important to notate any damage or carton count discrepancy on the BOL / Proof of Delivery (POD) receipt when you sign for the delivery, even if the package appears only slightly damaged. If the driver doesn't allow or won't wait, notate on the BOL / POD "Driver will not allow inspection." Damages should be reported to Streamline® within 3 calendar days of delivery. Customers who sign for delivery and do not provide proper detailed description assume responsibility if merchandise is damaged or missing cartons. If the product itself appears significantly damaged, you may refuse delivery after you notate it on the POD / BOL and provide clear pictures to Streamline®. Please notify Streamline® of refusal so we can anticipate the return and send out a new item.

Please look for the following when checking:

- Carton/Pallet Count
- Crumpled and pushed in areas
- Fork lift punctures
- Holes
- Any additional outside damage to packaging

Damages & Refusing a Freight Shipment

If the shipment is damaged, a customer has the option of refusing the shipment. Contact our customer service representative immediately at support@streamlinebath.com when and if you refuse a shipment. Also, proper notation must be on the BOL / POD receipt. Any external evidence of loss or damage that occurred during transit is considered visible loss or damage and must be noted on the BOL / POD and signed by the carrier's agent (driver). Failure to adequately describe the visible loss or damage could result in the carrier delaying or refusing to honor the freight claim. Any damage that occurred during transit that was not visible at the time of delivery is considered concealed loss or damage. Due to rough handling in transit it is possible to damage the contents of a carton without damaging the outer packaging itself.

If such a situation occurs, it is important to contact Streamline® immediately for instructions on how to handle this. You must open all received boxes and inspect products for concealed damage within 72 hours (3 calendar days) of delivery and Streamline® must be notified at that time. After this time frame claims may not be honored. Streamline® reserves the right to replace any damaged merchandise within 3 calendar days of notification by the customer. If a replacement item is available for shipping within that time period, then a refund cannot be issued.

If no replacement is available, the damaged item(s) will be refunded in full if the damage was the fault of freight carrier, and all return procedures were followed. Failure to follow return procedure for the damaged item may result in a charge for the free replacement item.

Prior to installing the appliance, plug the power cord into a working electrical outlet and test the various functions of the unit. Ensure that the fan is functional on all speeds and that the lights operate normally before proceeding with installation.

To mount the range hood, follow the below steps.

Step 1

The recommended distance between the range hood and the cooking surface is 26 to 28 inches. (Figure A) Prepare the hood for installation by removing the filters and setting them aside for later.

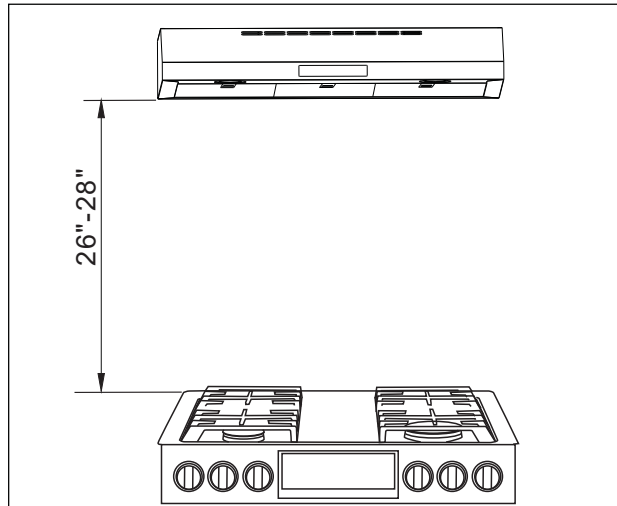


Figure A

Step 2

Face the underside of the hood and identify the damper/duct connector located to the left of the fan wheel (Figure B).

Remove the 3 screws holding the connector to the hood. Then, remove the damper/duct connector from inside the hood and set it aside.

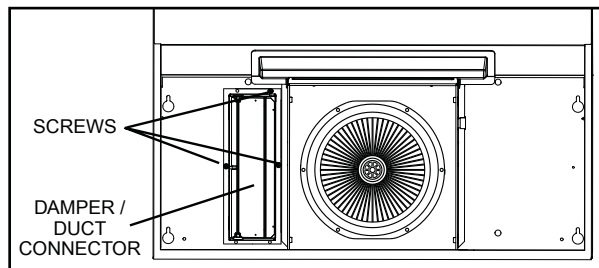


Figure B

Step 3

For ducted installation only. For ductless installation, skip this step.

Remove the 3 screws holding the baffle to the hood and set them aside. Then, slide the baffle out of the slot (Figure C). Rotate the baffle and insert it long-side down into the slot as shown in Figure C. Secure the baffle to the slot with the same 3 screws.

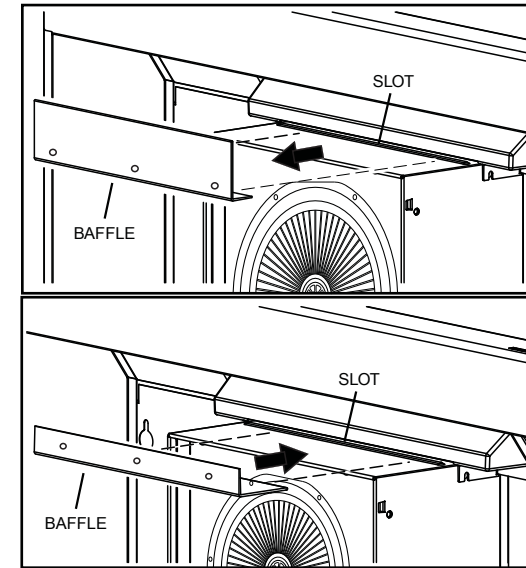


Figure C

Step 4

For ducted installation only. For ductless installation, skip this step.

Refer to Figure D to determine your appropriate ducting method. If venting the unit into the upper cabinets, use a screwdriver to remove the vertical knockout plate. If venting the unit into the wall, remove the horizontal knockout plate.

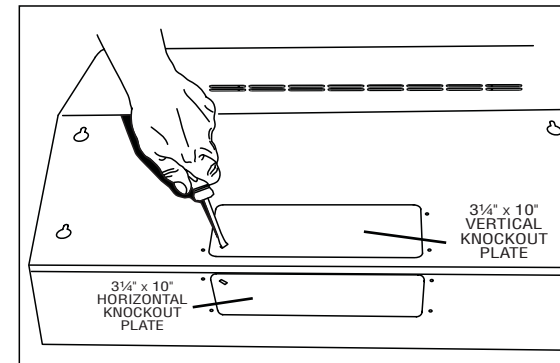


Figure D

Step 5

Cut an electrical access hole in the cabinet (Figure E). **If venting the unit through the horizontal knockout plate or installing ductless, DO NOT cut a vertical duct access hole.** Then, install the 4 corner mounting screws halfway into the cabinet (Figure E). DO NOT tighten all the way, and DO NOT install the 5th (middle) mounting screw. If the cabinets have recessed bottoms, install wood shims prior to installing the screws.

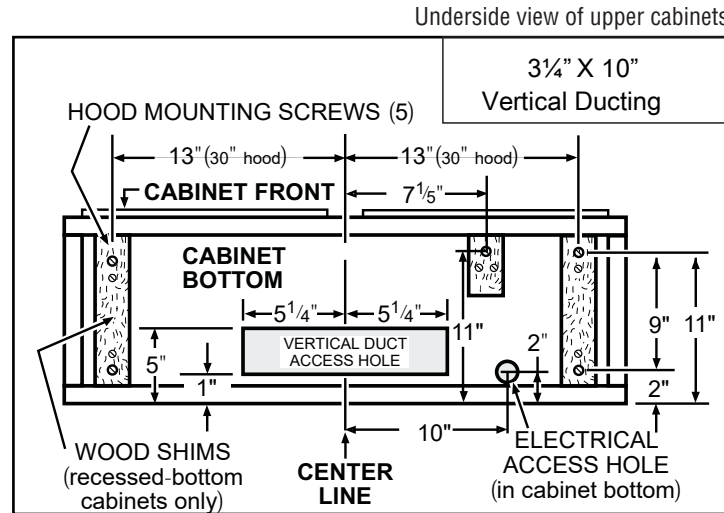


Figure E

Step 6

Lift the hood and tuck the power cable through the electrical access hole. Anchor the cable, but DO NOT plug it in. Hang the hood from the 4 halfway-installed mounting screws in the cabinet. Slide the hood back towards the wall until the mounting screw heads are locked in the narrow end of the keyhole slots in the top of the hood. Tighten the screws securely. Then, add the 5th mounting screw in the center hole in the hood and tighten securely.

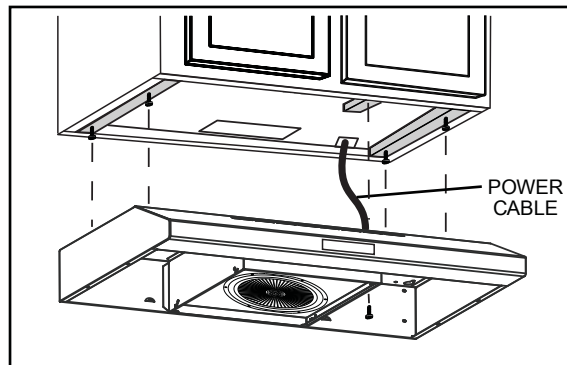


Figure F

Step 7

Ducted installation only. If installing ductless, skip this step.

Connect the ductwork to the hood, and secure the seam so that the unit is air tight. Reinstall the damper/duct connector. Check that the ductwork is connected properly to the damper/duct connector, and that the damper can open and close freely.

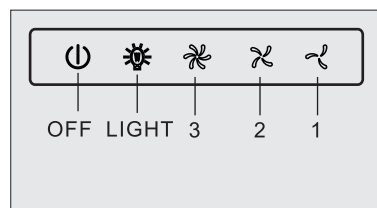
Step 8

Reinstall the filters, then plug in the unit. It is now ready for use.

C

OPERATION

FIVE FINGER TOUCH BUTTON CONTROL PANEL



LIGHT BUTTON

Touch once: the light turns on
Touched again: the light turns off.

MOTOR BUTTON: 1, 2, 3

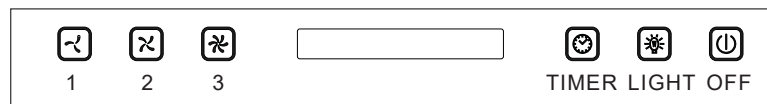
1: start the motor at minimum speed
2: start the motor at medium speed
3: start the motor at maximum speed

OFF

Touch once: stops the motor after 2-3 minutes and shows a flickering light

Touch twice: stops the motor immediately.

SIX FINGER TOUCH BUTTON CONTROL PANEL



- **Turn on the power:** The buzzer will buzz, indicating the lights are on. Time will show 12:00. If no options are selected, then the range hood will turn off automatically. In order to continue operation, select a button.
- **Adjust time:** Turn the power on. The buzzer will buzz, indicating the lights are on. Touch and hold the TIMER button for 3 seconds. The time will start flickering and you will be able to set the correct time. Adjust the time by touching the 2 & 3 button and the timer button.
- **OFF:** Shuts off the power
- **LIGHT:** Turn the lights on or off
- **TIMER:** Turn off power within 2 minutes

D

MAINTENANCE AND CLEANING

Constant maintenance ensures the correct operation and efficiency of the appliance over time. Special attention should be paid to the grease-trapping filters and the charcoal filters. Frequent cleaning of the filters will ensure that fats and grease do not accumulate on the cooker hood, with the consequent risk of fire.

1. METAL GREASE-TRAPPING FILTERS

These trap the fat and grease particles suspended in the air, and therefore should be washed every month in hot water and detergent. **DO NOT BEND.** Wait until they are completely dry before repositioning them. The metal filters can be cleaned in a dishwasher.

2. CHARCOAL FILTERS

These trap odors present in the stream of air that passes through them. The air is purified by passing a number of times through the filters and then recirculated into the kitchen. The charcoal filters cannot be cleaned, and should be replaced on average 3-4 months (according to use).

3. CLEANING THE OUTSIDE OF THE APPLIANCE

The outside of the cooker hood should be cleaned using a damp cloth and neutral liquid detergent or denatured alcohol.

Do not use products that contain abrasive substances, rough cloths or cloths not specifically designed for cleaning steel.

Using abrasive substances or rough cloths will inevitably damage the finish of the steel. The steel surface will be irrevocably damaged if the instructions above are not complied with. Keep these instructions together with the instructions for use of your hood.

The manufacturer accepts no liability for any damage caused by no-compliance with the instructions above.

4. CLEANING THE INSIDE OF THE APPLIANCE

The electrical parts or parts of the motor assembly inside the range hood must not be cleaned using liquids or solvents.

E

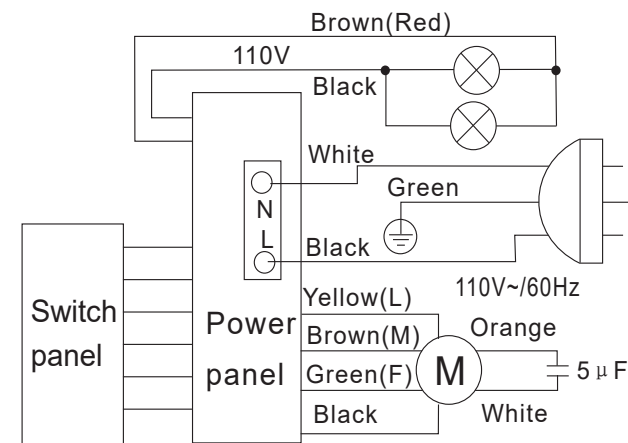
SAFETY DISCLAIMER

- Read all instructions before installing and operating this appliance. This instruction booklet must be kept together with the appliance for future reference. If the appliance is sold or consigned to other parties, please ensure that the booklet is supplied with it in order to ensure that the new user has the correct information on the operation of the range hood and aware of the warnings.
- The manufacturer disclaims all liability for any damage that may be directly or indirectly caused to people, things, and animals due to the failure to follow all the instructions provided in this booklet and above all the warnings relating to the installation, operation, and maintenance of the appliance.
- These warnings have been provided for your safety and the safety of others. As a result, please read them carefully before installing and operating the appliance.
- The installation instructions in this manual is intended for qualified installers, service technicians or persons with similar qualified background.
- It is dangerous to modify or attempt to modify the characteristics of this system. In the event of malfunctions or if repairs are required to the appliance, do not attempt to solve the problems directly.
- Only qualified professionals should proceed with installation and electrical wiring. All installation and wiring must be done with regard to any applicable codes and standards.
- DO NOT attempt to install this appliance yourself.
- Repairs performed by unqualified persons may cause damage. For all questions on repairs and other work on the appliance, please contact support@streamlinebath.com
- If the supply cord is damaged, it must be replaced by the manufacturer in order to avoid a hazard. Any modifications that may be required to the electrical system for the installation of the cooker hood must only be made by qualified electricians.
- Before performing any cleaning or maintenance operations, disconnect the appliance by unplugging it or using the main switch.
- Always check that the electrical parts are off when the appliance is not being used.
- The range hood must only be used for the exhaust of cooking fumes in the home. The manufacture disclaims all liability for any other use of the appliance. The maximum weight of any object placed above the hood (or hung to) must not exceed 3.3 lbs.
- This range hood may NOT be used to exhaust hazardous materials.
- This appliance is not intended for use by young children. Young children should be supervised to ensure they do not play with the appliance.
- Prior to removing any parts from the range hood, please ensure that you wear protective gloves. The range hood may have very sharp edges.
- Do not connect the appliance to flues (from boilers, fireplace, etc.). Make sure the mains voltage corresponds to the values on the rating plate located inside the cooker hood. The minimum safety distance between the cooktop and the cooker hood must be at least 26 in.
- Check deep-fryers during use: Superheated oil may be flammable.
- Ensure that there is adequate ventilation of the room when the range hood is used at the same time as appliances burning gas or other flues.
- The exhaust air must not be discharged into a flue which is used for exhausting fumes from appliances burning gas or other fuels.

- Ensure that all regulations concerning the discharge of exhaust air have been fulfilled before you use the appliance.
- Please follow all applicable safety standards and guidelines, such as those published by the NFPA, the American Society of Heating, and local codes.
- Proper airflow is needed for proper ventilation and exhausting of gases through the duct in order to prevent the gases returning into the home. When ducting the range hood, please ensure that you do not damage any hidden wiring or utilities.
- Ensure to clean old ductwork regularly to avoid a grease fire and proper operation.
- Make sure that the duct work is properly connected and secured to the range hood and outdoors.
- Regularly clean the range hood from any grease that has accumulated as it should not be allowed to accumulate on any surfaces or parts of the range hood.
- When cooking greasy foods or at high heat, always ensure that the highest settings are used on the range hood.
- Never cook on open flames under the range hood.
- Never leave food unattended when cooking on the highest settings. This may cause grease spillovers that can ignite.
- In the event of a stove top grease fire, smother the flame using a close fitting lid and never pick up the flaming pan.
- If the flames do not go out, call the fire department and do NOT use water or wet dishcloths. Avoid using flammable or combustible material from putting out the flame.

F

WIRING DIAGRAMS



S-220-USBFL-30
S-221-USBFL-36

S-220MSH-30
S-221MSH-36