

LWS3063*

QUICK INSTALL & CLEARANCES

For full installation directions/clearances please refer to the corresponding User Manual and Installation Guide.

DIMENSIONS & WEIGHT

Product	29-3/4"(W) x 29-5/16"(H) x 24-3/8"(D)
Cut-out	28-1/2"(W) x 29"(H) x 23-1/2"(D)
Packing	33"(W) x 30"(D) x 34"(H)
Net weight (Kg) Approx.	71.2 kg (157lbs)
Gross weight (Kg) Approx.	81.2 kg (179lbs)

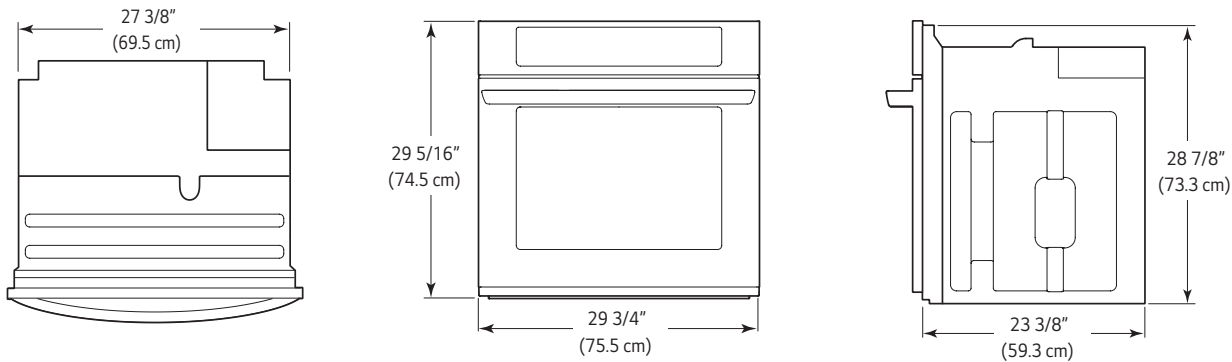
POWER/RATINGS

Rating	4.1 KW
Electric supply	120/240 VAC, 120/208 VAC
Max. Amp Load	17.3 A

IMPORTANT NOTES

- The cabinet base platform must be able to support 190lbs (86kg). If the cabinet does not have a solid bottom, two braces or runners must be installed level with the bottom of the cutout to support the weight of the oven. Make sure the base is level and the front of the cabinet is square. If the cabinet base is not level, the oven glides will tend to slide out when opening the door.
- If marks, blemishes or the cutout opening are visible above the installed oven, it may be necessary to add wood shims under the runners and front trim until the marks or opening are covered.
- If the cabinet does not have a front frame and the sides are less than 3/4" (1.9 cm) thick, shim both sides equally to establish the cutout width.
- The junction box must be flush with the rear wall of the cabinet as shown below.
- Allow at least a 23" clearance for the door depth when it is open.
- Kitchen cabinets in contact with the oven must be heat resistant up to 194°F (90°C), and fronts of nearby units up to at least 158°F (70°C).

PRODUCT DIMENSIONS



The first step of the installation is measure the current cutout dimensions and compare them to the cutout dimensions shown below. Little or no cabinet work may be necessary.

CUTOUT DIMENSIONS

- Cabinet Width **30" (762 mm)**
- Recommended Minimum Cutout Location from Floor **31" (787.4 mm)**
- Cutout Depth **23-1/2" Min. (596.9 mm)**
- Cutout Width **28-1/2" Min. (723.9 mm)**
28-5/8" Max. (727 mm)
- Cutout Height **28 15/16" Min. (735 mm)**
29" Max. (736.6 mm)

