



Item # 1002 060 499
Model # GSS00224BW

USE AND CARE GUIDE

2 PERSON STEEL SLING SWING WITH CANOPY



Questions, problems, missing parts? Before returning to the store,
call Hampton Bay Customer Service.

8 a.m. - 7 p.m., EST, Monday - Friday, 9 a.m. - 6 p.m., EST, Saturday

1-855-HD-HAMPTON

HAMPTONBAY.COM

THANK YOU

We appreciate the trust and confidence you have placed in Hampton Bay through the purchase of this swing. We strive to continually create quality products designed to enhance your home. Visit us online to see our full line of products available for your home improvement needs. Thank you for choosing Hampton Bay!

Table of Contents

Table of Contents.....	2	Pre-Assembly	3
Safety Information	2	Planning Assembly	3
Product Caution	2	Hardware Included	3
Safety Warnings	2	Package Contents.....	4
Warranty	2	Assembly.....	5
What is Covered	2	Care and Cleaning.....	10
What is Not Covered	2		

Safety Information

PRODUCT CAUTION

This swing was made for the explicit purpose of providing outdoor functions and is not to be used as a toy. This product is intended for normal outdoor use; however, the manufacturer recommends storing and / or covering this swing when any formidable / severe weather is approaching. Do not locate this product near open flames. Do not use this product as a support. Do not shake, lean or climb on the product. Children under the age of 10 near the product, should be supervised by a competent adult at all times. This product is NOT intended for commercial use and will void the warranty.

SAFETY WARNINGS



WARNING: Weight limit for the swing chair is 225 lbs (102.06 kg) for each seat.



CAUTION: Do not locate the product near any heat source.



WARNING: Please keep children out of the assembly area before assembly.



CAUTION: Never use this product as a support, do not shake, lean or climb on the swing at any time.



WARNING: This swing unit is heavy, and may require two adults for safe assembly.



WARNING: Do not shake from side to side when using the product.

Warranty

1 YEAR FRAME WARRANTY AND 1 YEAR FABRIC LIMITED WARRANTY

WHAT IS COVERED

We warrant the frame to be free of manufacturing defects to the original purchaser for one years, and a one year limited warranty for fabric.

WHAT IS NOT COVERED

It remains the customer's responsibility for freight and packaging charges to and from our service center. This warranty does not cover commercial use, hardware, acts of nature, fire, freezing, and abusive use. In addition, purchased parts are not covered under this warranty. We reserve the right to make substitutions with similar merchandise, if the model in question is no longer in production.

Contact the Customer Service Team at 1-855-HD-HAMPTON or visit www.HamptonBay.com.

Pre-Assembly

PLANNING ASSEMBLY

Read all instructions before assembly.

To avoid damaging this product, assemble it on a soft, non-abrasive surface such as carpet or cardboard.

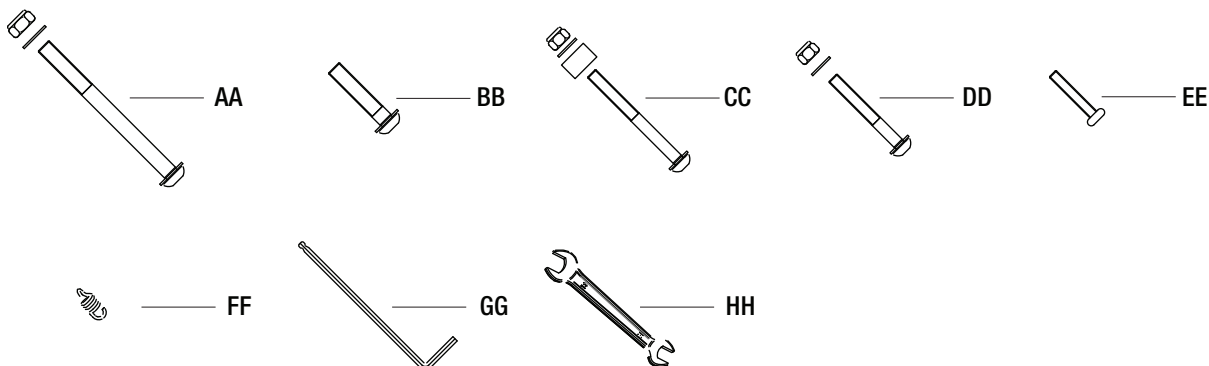


NOTE: More than one person may be required to assemble this product.

HARDWARE INCLUDED



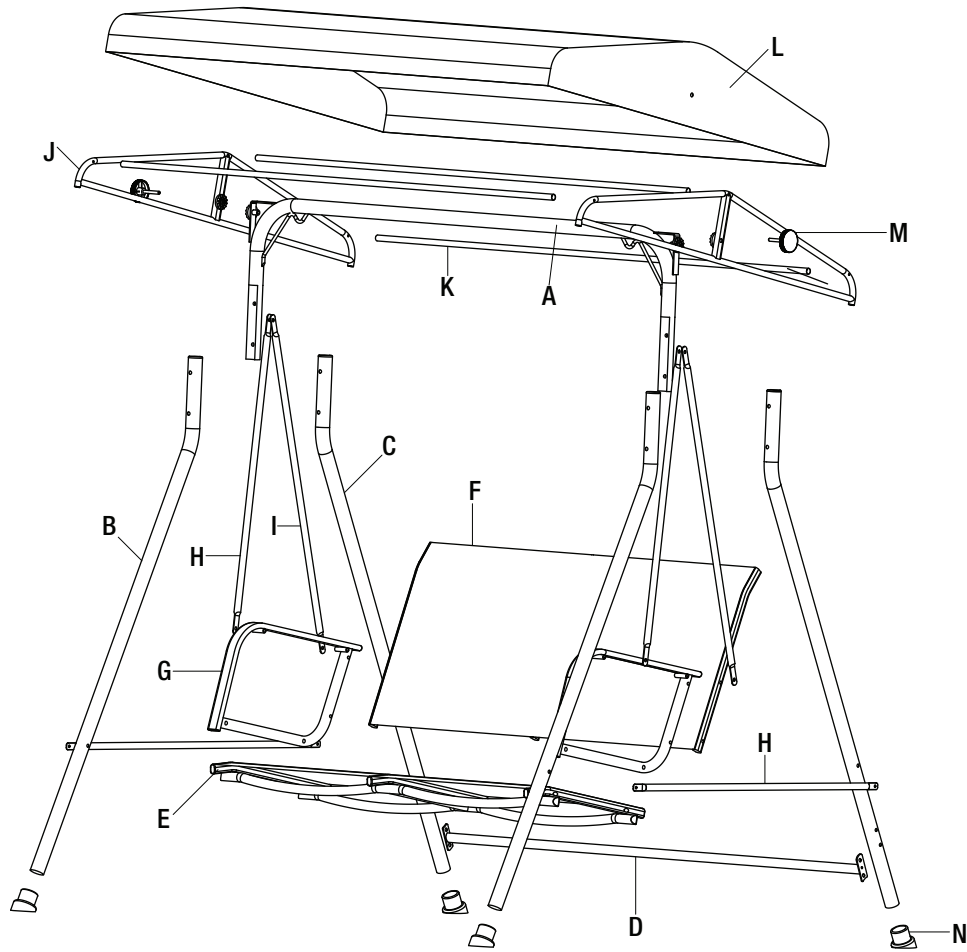
NOTE: Hardware not shown to actual size.



Part	Description	Quantity
AA	M8x95 combination bolt, washer and nut	4+1
BB	M8x40 Combination bolt	4+1
CC	M6x65 Combination bolt, washer and nut	4+1
DD	M6x50 Combination bolt, washer and nut	12+1
EE	M5x30 bolt	6+1
FF	Hook	2
GG	Hex Wrench	1
HH	Wrench	1

Pre-Assembly (continued)

PACKAGE CONTENTS

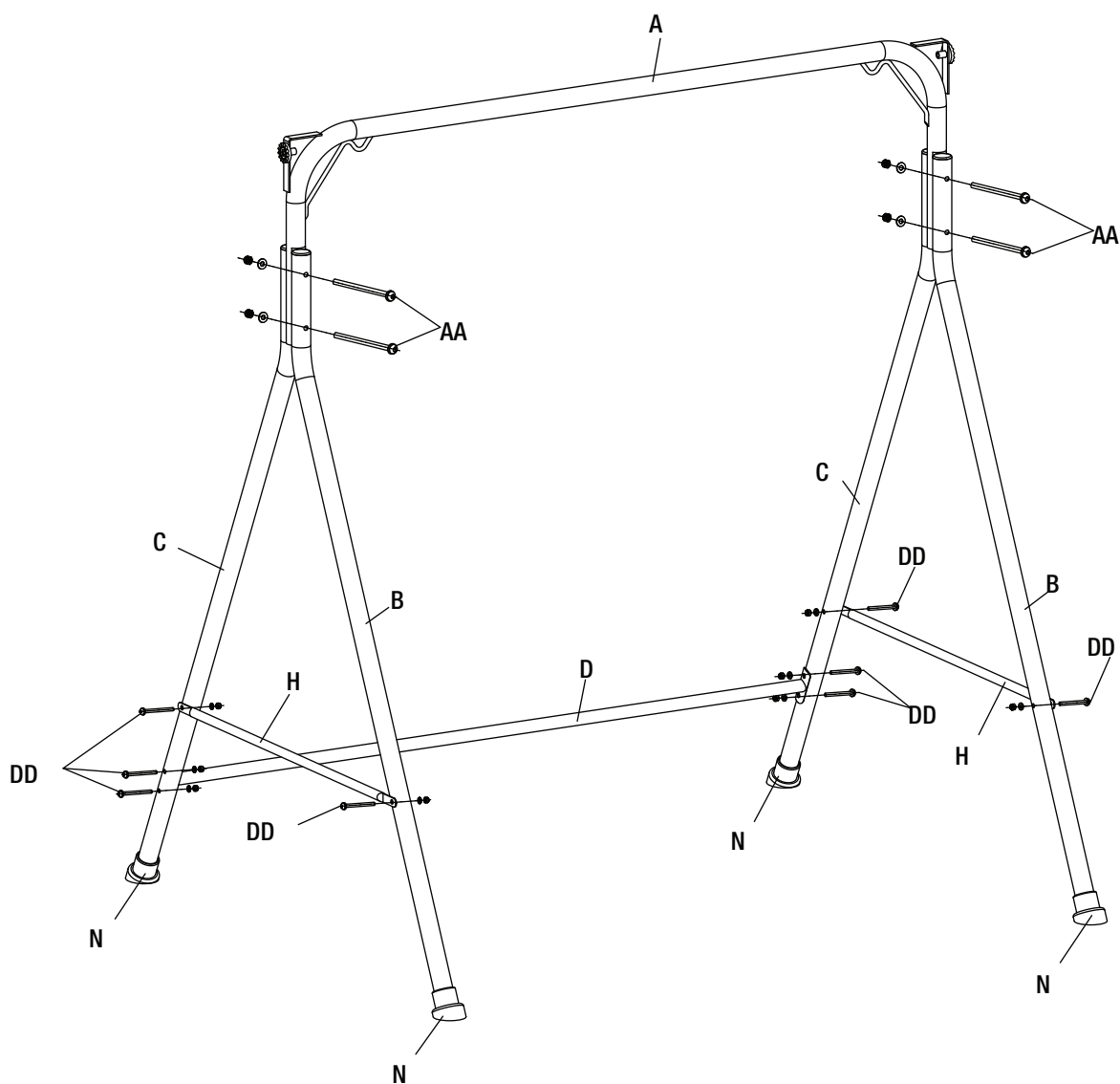


Part	Description	Quantity
A	Top bar	1
B	Front leg	2
C	Back leg	2
D	Back support bar	1
E	Seat	1
F	Back	1
G	Arm	2
H	Side bar & short swing pipe	4
I	Long swing pipe	2
J	Curved bar	2
K	Support bar	3
L	Canopy	1
M	Screw knob	2
N	Ground bumper	4

Assembly

1 Assembling the swing frame

- Attach two sets of the legs (B & C) to the top bar (A) using M8x95 combination bolts, washers and nuts (AA).
- Attach the two side bars (H) to the legs (B & C) using M6x50 combination bolts, washers and nuts (DD).
- Attach the back support bar (D) to the back legs (C) using M6x50 combination bolts, washers and nuts (DD).
- Tighten all of the bolts using the hex wrench (GG) and the wrench (HH).
- Assemble the ground bumpers (N) onto the legs (B & C).



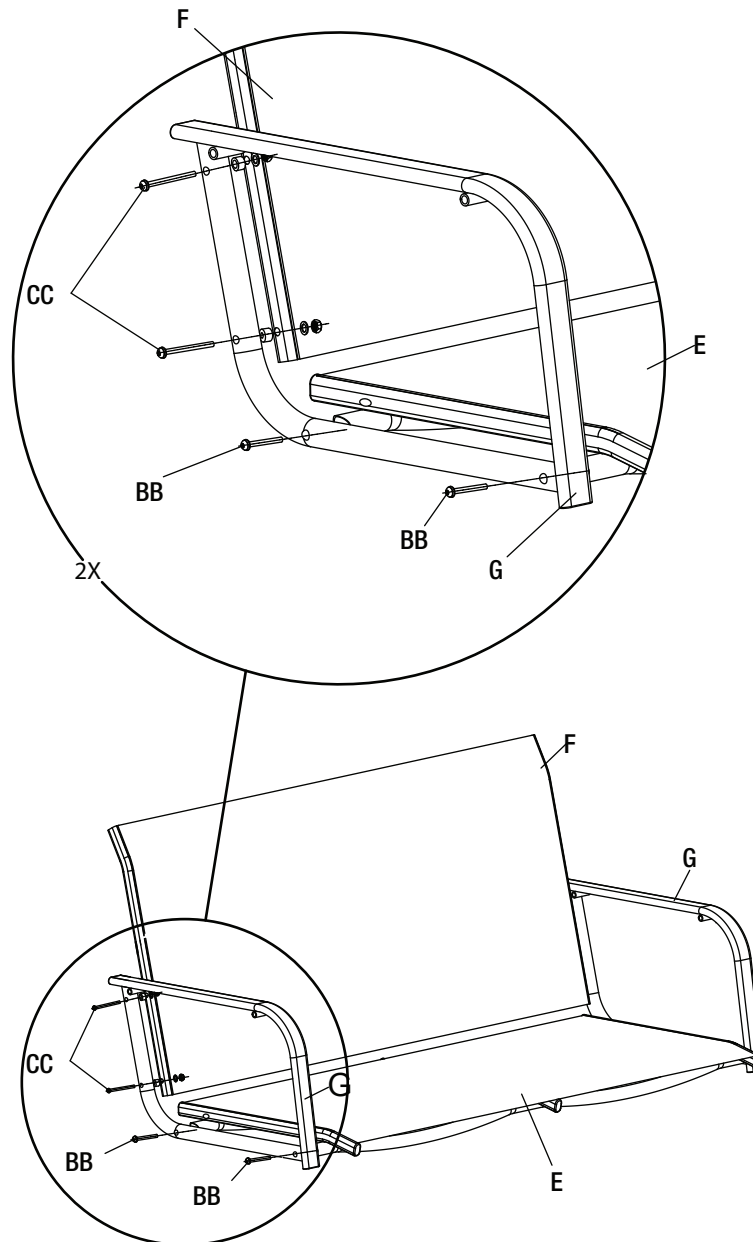
Assembly (continued)

2 Attaching the seat and back to the arms

- Attach the seat (E) to the arms (G) using M8x40 combination bolts (BB).
- Attach the back (F) to the arms (G) using M6x65 combination bolts, washers and nuts (CC).



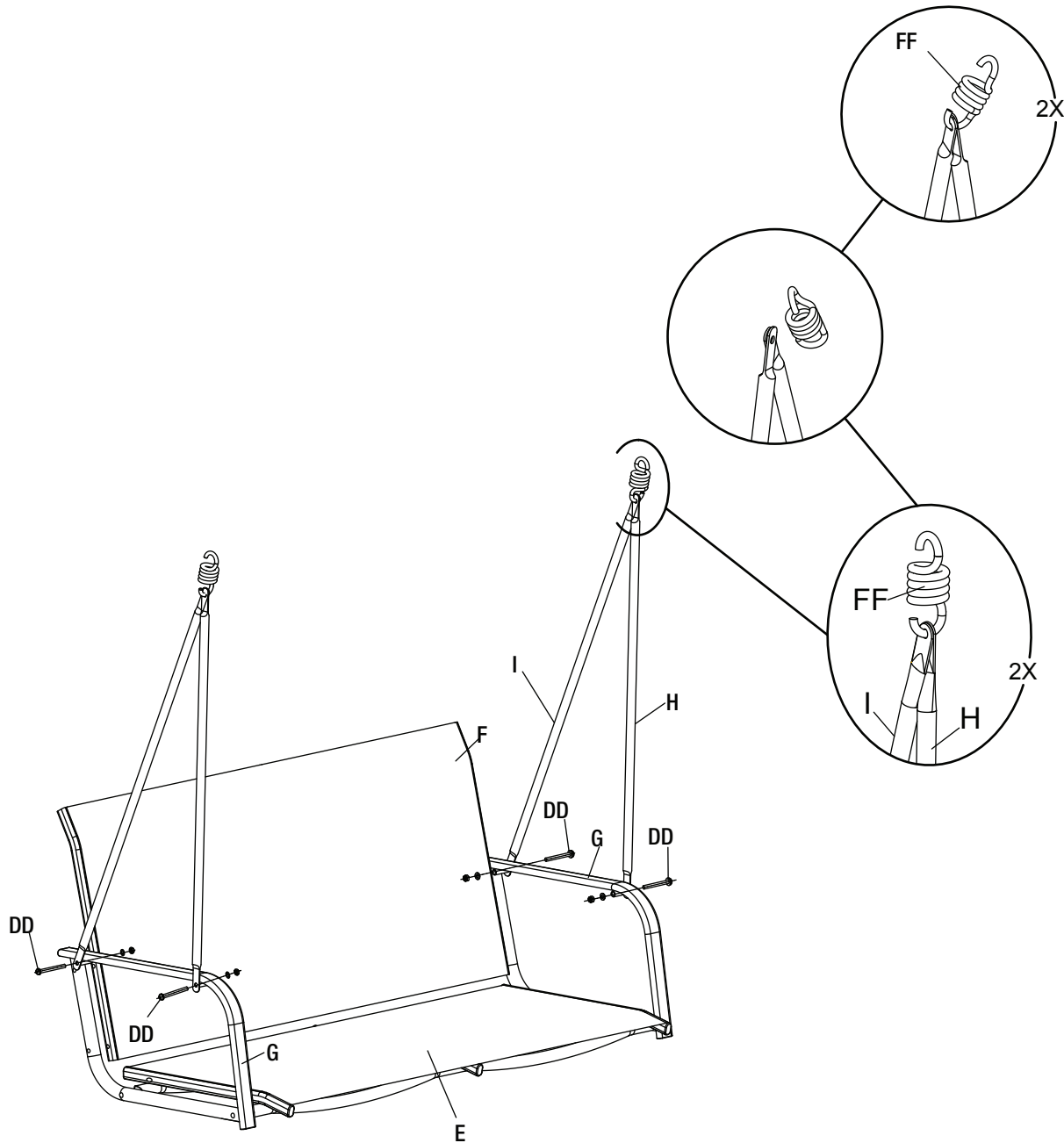
NOTE: Fully tighten all bolts using the hex wrench (GG) and the wrench (HH).



Assembly (continued)

3 Attaching the long swing pipes and the short swing pipes to the arms

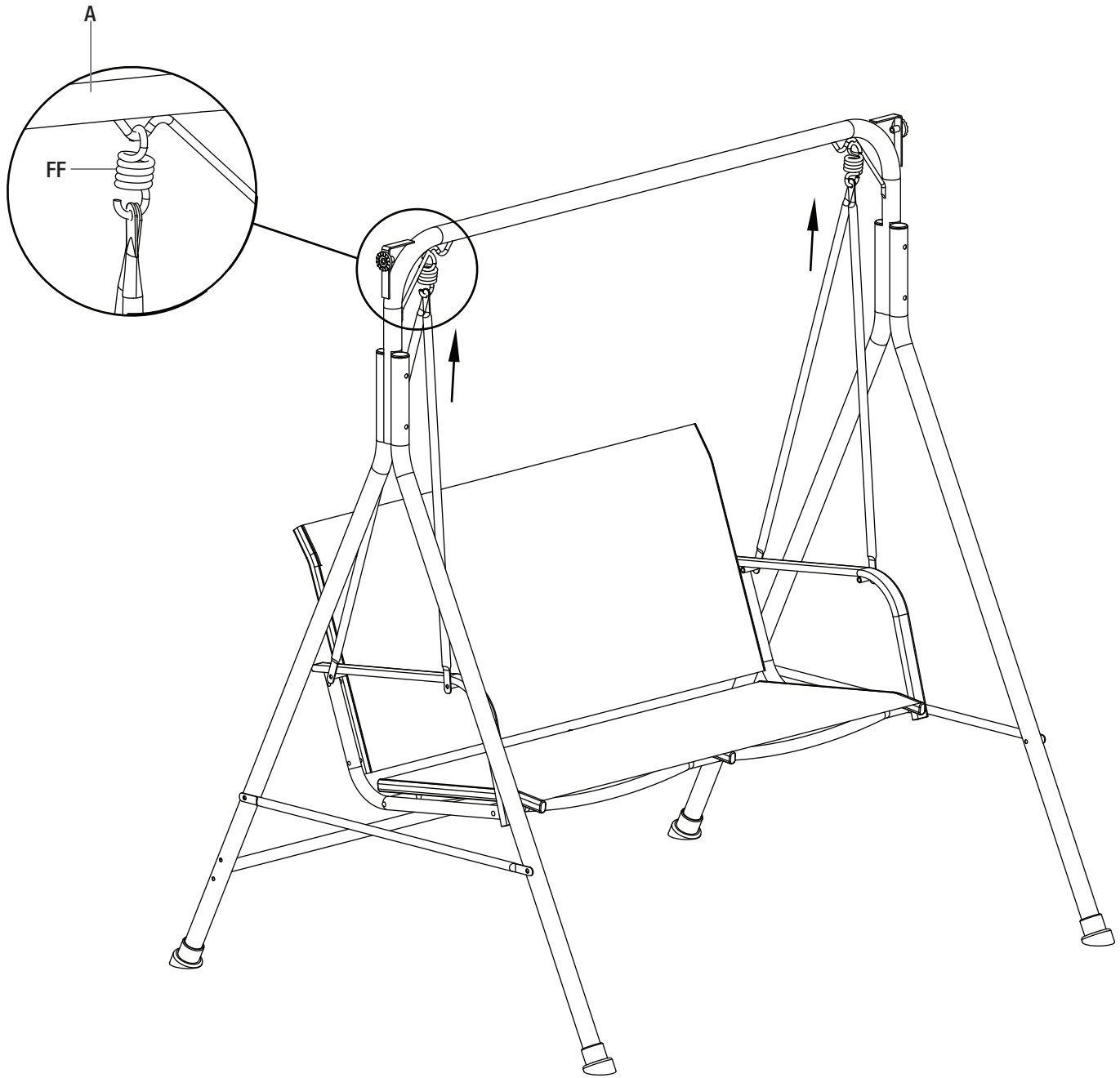
- Attach the long swing pipes (I) and the short swing pipes (H) to the arms (G) using M6x50 combination bolts, washers and nuts (DD).
- Connect the top of the two swing pipes (H and I) by using the hooks (FF).
- Once all of the bolts are in place, fully tighten the bolts.



Assembly (continued)

4 Attaching the seat to the swing frame

- Attach the assembled seat frame to the swing frame using the hooks (FF).



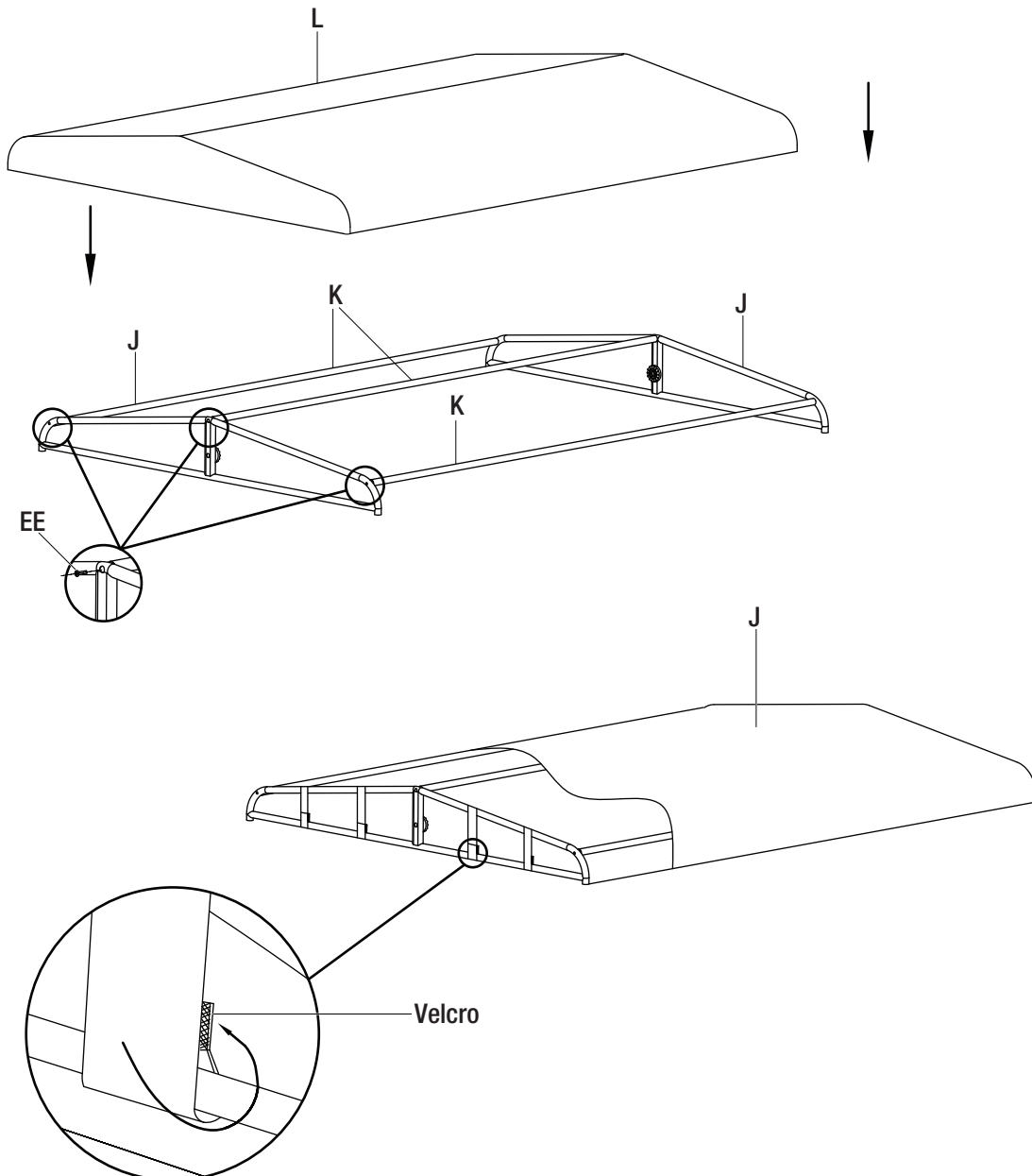
Assembly (continued)

5 Assembling the top frame

- Attach the support bars (K) to the curved bars (J) using M5x30 bolts (EE).
- Tighten all of the bolts on the top frame before placing the canopy.
- Place the canopy (L) on the assembled top frame and tie the canopy (L) to the curved bars (J) by affixing the Velcro.



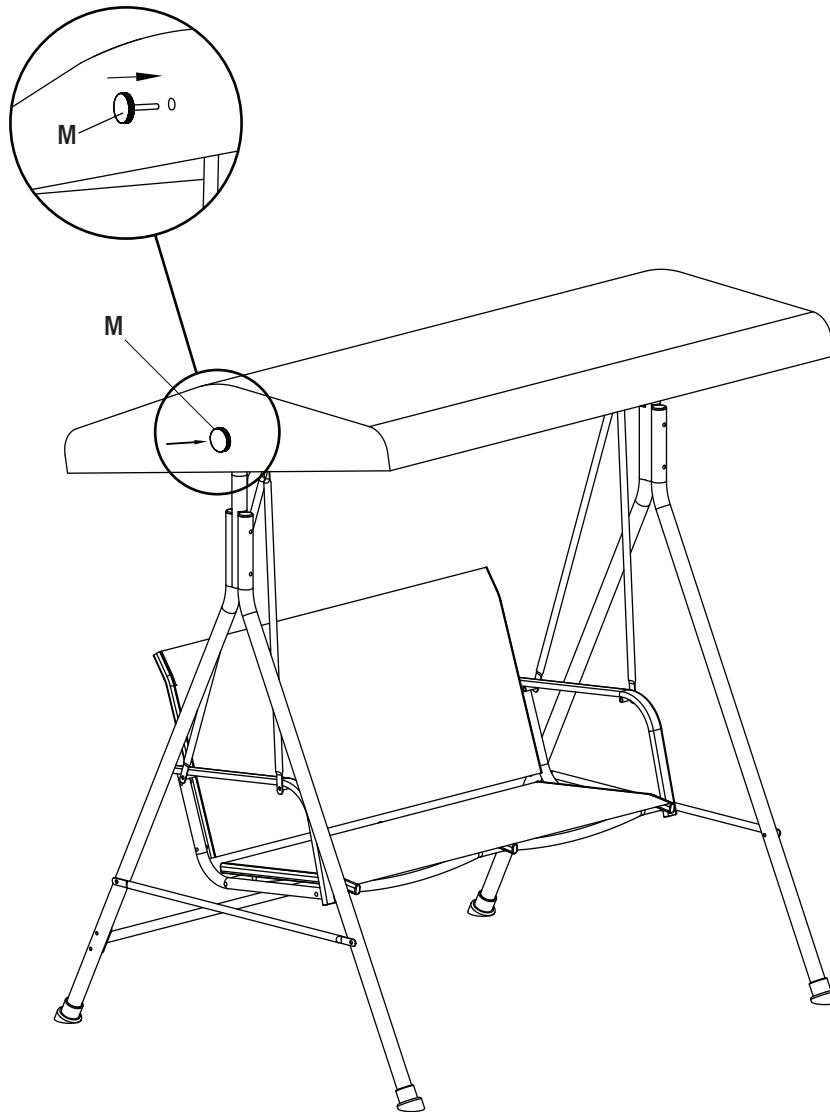
NOTE: Please pay attention to the direction of the top curved bars (J).



Assembly (continued)

6 Attaching the top frame to the top bar

- Attach the top frame to the top bar (A) using the screw knobs (M) on both sides.
- Adjust the angle of the top frame and fully tighten the screw knobs (M) in the clockwise direction.



Care and Cleaning

- For best results, clean the swing with a damp cloth and dry thoroughly. This will help prevent mildew by removing dirt particles that may accumulate.
- Do not clean with abrasive materials, bleach, or solvents.
- Store the swing in a dry, sheltered place when not in use.
- Keep the swing away from fire, extreme heat, freezing conditions, and inclement weather such as rain, hail, sleet, snow, or wind.



Questions, problems, missing parts? Before returning to the store,
call Hampton Bay Customer Service.
8 a.m. - 7 p.m., EST, Monday - Friday, 9 a.m. - 6 p.m., EST, Saturday

1-855-HD-HAMPTON

HAMPTONBAY.COM

Retain this manual for future use.