



Job Name _____	Item # _____
Location _____	
Engineer _____	Contractor _____
PO # _____	Tag _____
Representative _____	

1/2 IN. CHROME-PLATED PLASTIC COPPER TUBE SIZE SPLIT FLOOR & CEILING PLATE TECHNICAL SPECIFICATION

SPECIFICATIONS

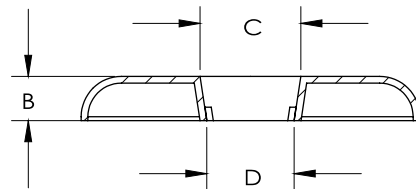
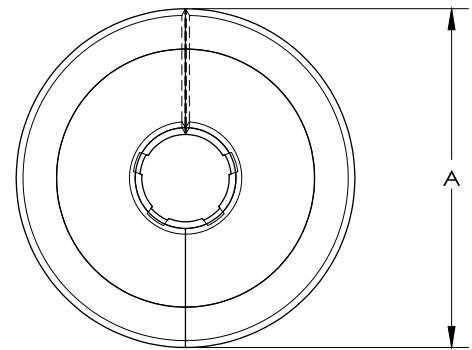
The 1/2 in. Copper Tube Split Floor & Ceiling Plate helps cover pipe openings and is sized to fit 1/2 in. CTS piping. The chrome-plated finish and low-patterned design provide a decorative touch. Oatey products have earned the trust of plumbing professionals for over 100 years.

DIMENSIONS

[A]:	2.52"
[B]:	0.33"
[C]:	0.75"
[D]:	0.65"

PRODUCT SELECTOR

✓	Product Number	Description	Ctn. Wt.	Ctn. Qty.
	HDC5367	1/2 in. Chrome-Plated Plastic Copper Tube Size Split Floor & Ceiling Plate	0.25 lbs.	20



Access BIM/Revit content through www.oatey.com