

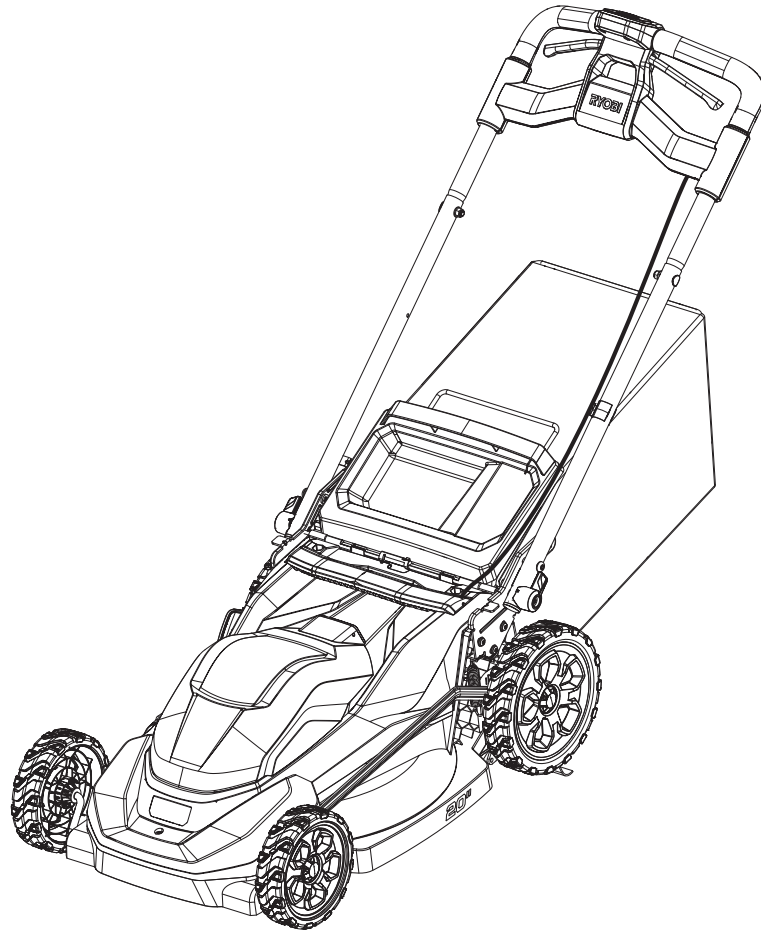
REPAIR SHEET

BRAND
RYOBI

MODEL NO.
RY40HPLM06

MFG. NO.
108561001

DESCRIPTION
40 Volt 20 in. Lawn Mower

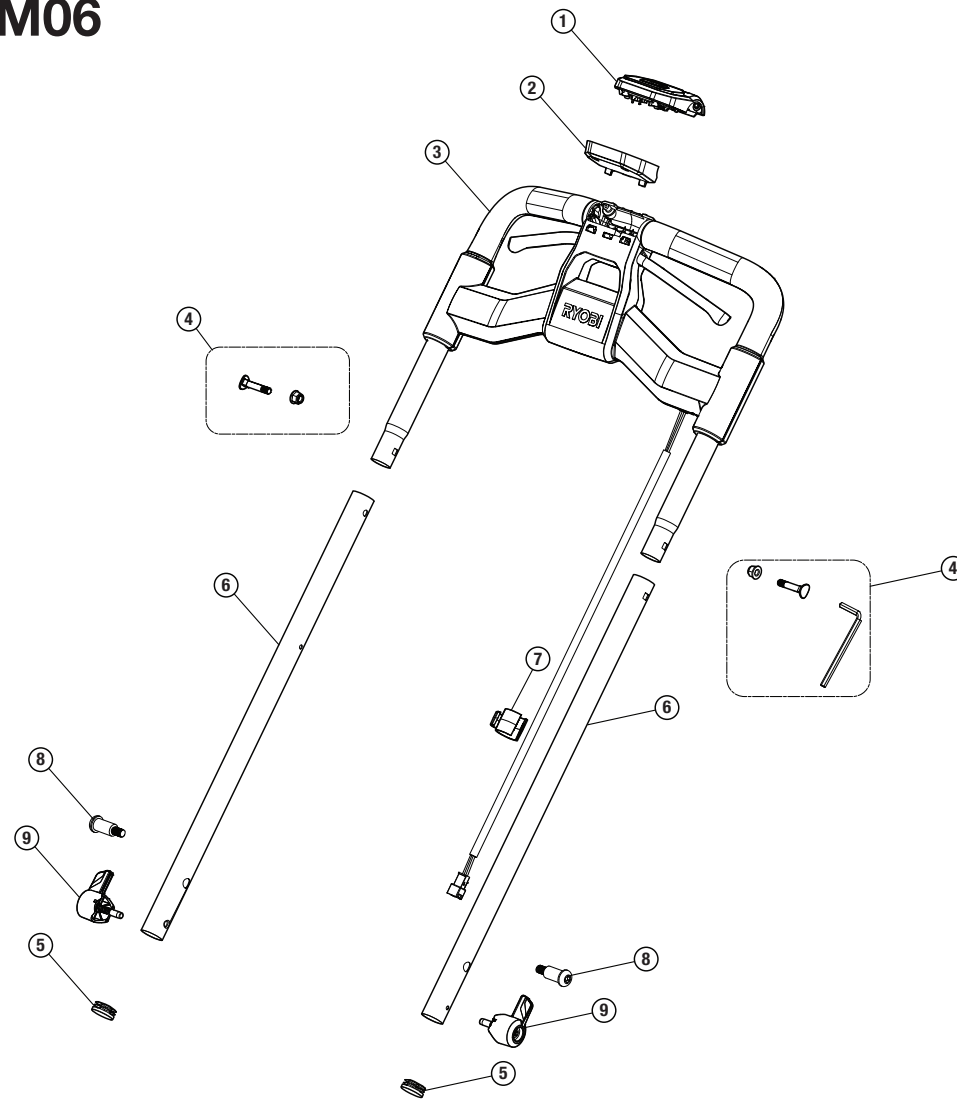


TTI OUTDOOR POWER EQUIPMENT, INC.

P.O. Box 1288, Anderson, SC 29622 ■ 1-800-525-2579 ■ www.ryobitools.com

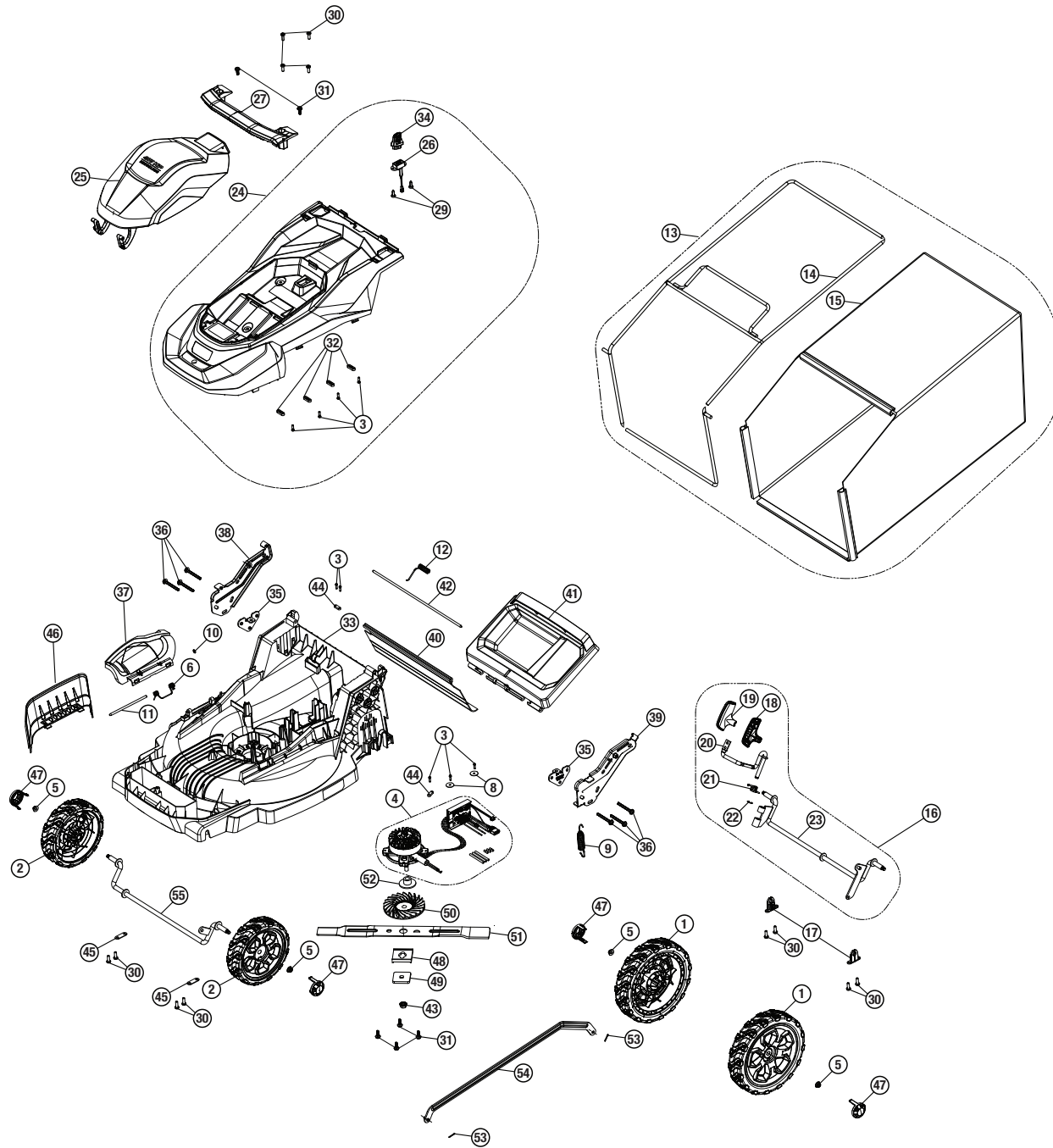
1-22-26 (Rev:01)

The model number and manufacturing location will be found on a label attached to the product. Always mention this information in all communications regarding this product and when ordering parts.



KEY NO.	PART NO.	DESCRIPTION	QTY.
1	205691007	Front Housing Assembly w/ Labels	1
2	554634001	Rear Housing	1
3	205691009	Upper Handle Assembly	1
4	205691024	20" One Time Assembly Hardware Kit	1
5	529329002	Tube End Cap	2
6	687586001	Lower Handle Tube	2

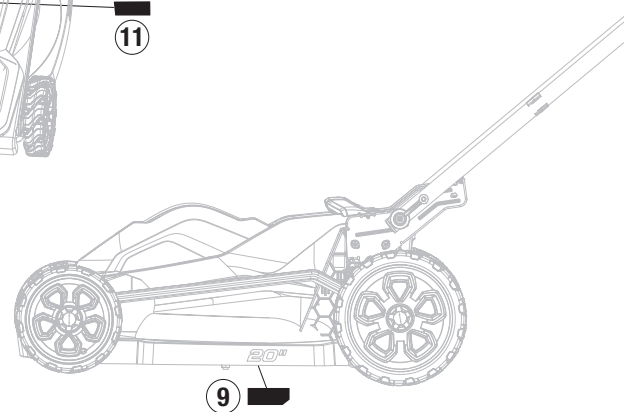
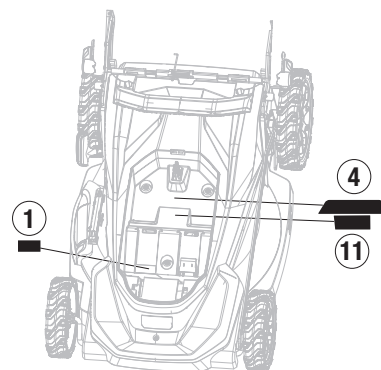
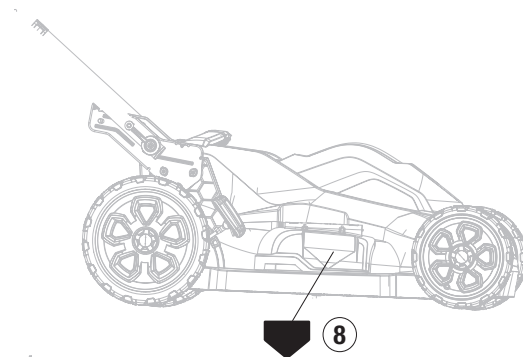
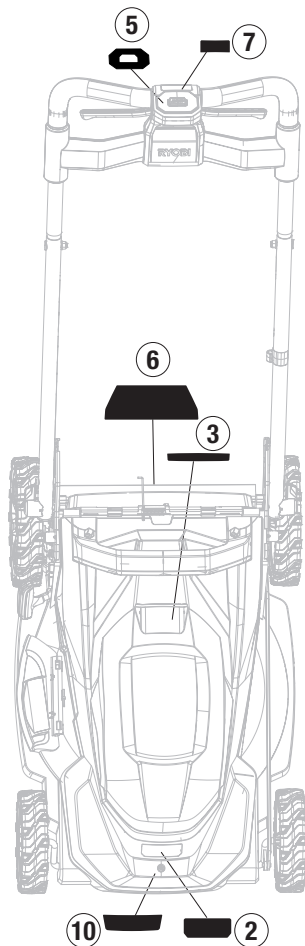
KEY NO.	PART NO.	DESCRIPTION	QTY.
7	544302001	Wire Harness Clip	1
8	663149001	Shoulder Bolt (M8 x 35.7 mm, T45 Torx Pan Hd.)	2
9	205691019	Adjustment Knob Kit	1
	Not Shown:		
	999000570	Operator's manual	



PARTS LIST – FIGURE B

KEY NO.	PART NO.	DESCRIPTION	QTY.
1	318565015	10 in Wheel	1
2	318565013	8 in Wheel	2
3	660024061	Screw (M4 x 14 mm, T20 Torx Pan Hd.)	9
4	205691010	Motor and Controller	1
5	662974001	Flange Nut	4
6	687250003	Side Discharge Cover Spring	1
7	790055001	Cable Tie	1
8	678334001	Washer	2
9	687436002	Spring	1
10	678490001	Retaining Ring	1
11	662893001	Side Discharge Cover Shaft	1
12	698995002	Rear Door Spring	1
13	205691013	Grass Catcher Assembly (Inc. Key Nos. 14-15)	1
14	677036001	Grass Catcher Frame	1
15	317926004	Grass Catcher Bag	1
16	205691011	Rear Axle Assembly (Inc. Key Nos. 18-23)	1
17	544872001	Rear Axle Bushing	2
18	552709001	Height Adjustm Knob (Left)	1
19	552708001	Height Adjustm Knob (Right)	1
20	623708001	Height Adjustment Lever Arm	1
21	684945001	Height Adjustment Lever Spring	1
22	679044001	E Ring	1
23	623729001	Rear Axle	1
24	205691002	Top Cover w/ Harness & Labels (Inc. Key Nos. 3, 26, 29, 32 & 34)	1
25	205691018	Battery Cover Assembly	1
26	205691020	Key Base w/ Wire Harness	1
27	554142001	Carry Handle	1
28	660024061	Screw (M4 x 14 mm, T20 Torx Pan Hd.)	4

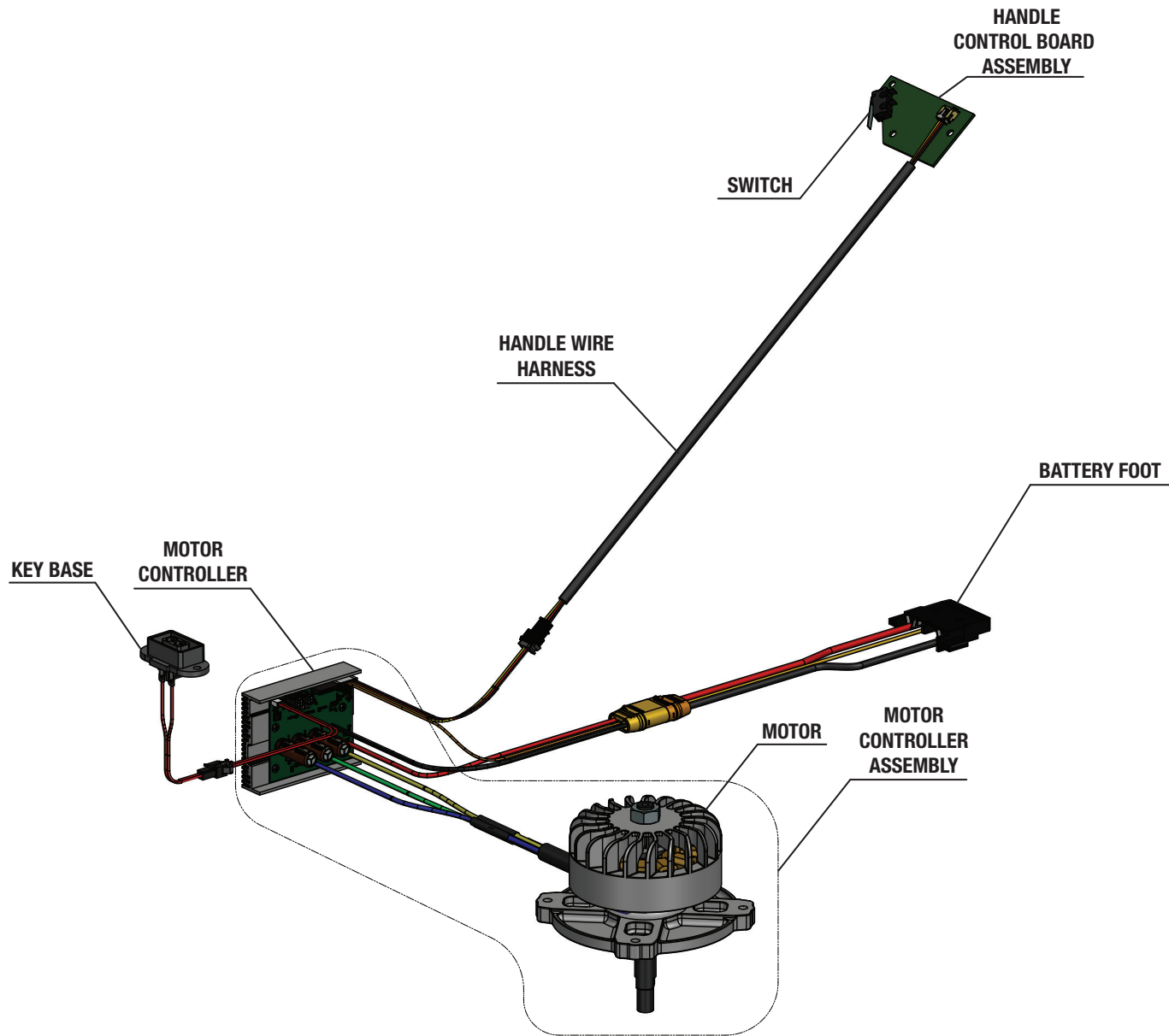
KEY NO.	PART NO.	DESCRIPTION	QTY.
29	660608001	Screw (M4 x 12 mm, T20 Torx Pan Hd.)	2
30	664004001	Screw (1/4-15 x 0.75 in., T30 Torx Pan Hd.)	12
31	663156001	Screw (M6 x 30 mm, T30 Torx Pan Hd.)	6
32	513211001	Cord Clip	4
33	205691005	Deck w/ Label	1
34	205691012	Start Key	1
35	657369003	Nut Plate	2
36	663155001	Screw (M6 x 64 mm, T30 Torx Pan Hd.)	6
37	205691001	Side Discharge Cover w/ Label	1
38	656416004	Handle Bracket (Right)	1
39	656415004	Handle Bracket (Left)	1
40	535475002	Trailing Shield	1
41	205691004	Rear Door w/ Label	1
42	622755002	Door Axle	1
43	679075001	Nut (M10)	1
44	513211004	Cord Clip	2
45	639116012	Axle Press Plate	2
46	543958001	Side Discharge Chute	2
47	553589001	Wheel Hub Cap	4
48	526920003	Blade Spacer Plate	1
49	639118002	Metal Blade Spacer Plate	1
50	544676001	Fan Blade Adapter	1
51	656080009	20 in Blade	1
52	613427001	Motor Bushing	1
53	678279004	Cotter Pin	2
54	656079005	Linkage Bar	1
55	699599003	Front Axle	1



PARTS LIST – LABELS

KEY NO.	PART NO.	DESCRIPTION	QTY.
1	940779399	Battery Storage Label	1
2	941201176	Ryobi 40V HP Standard Label	1
3	940168007	Icon Label	1
4	940168009	Battery Wet / Start Key Warning Label	1
5	940168005	Start Button Label	1
6	940168008	Danger Door Label	1

KEY NO.	PART NO.	DESCRIPTION	QTY.
7	940168006	Starting Instructions Label	1
8	941641001	No Hands/Feet Danger Label	1
9	940168013	20 in. Label	1
10	940168003	Push Label	1
11	940168004	QR Code Start Key Label	1



WIRING DIAGRAM