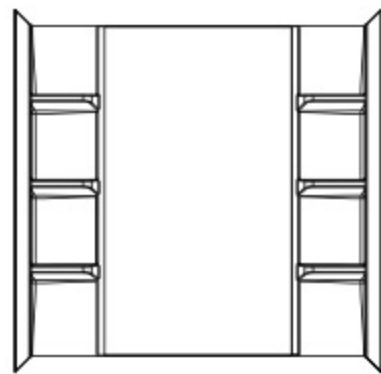
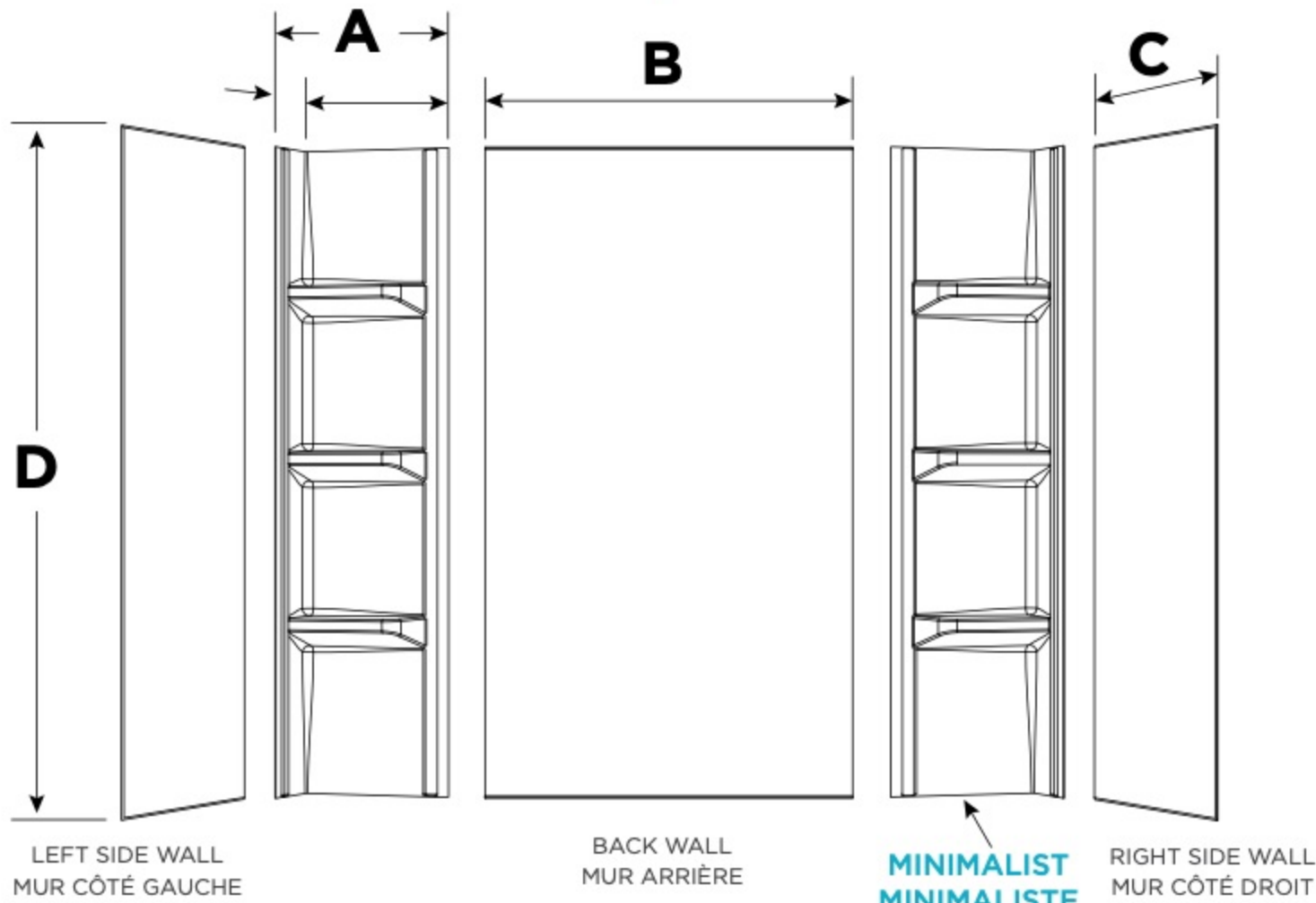
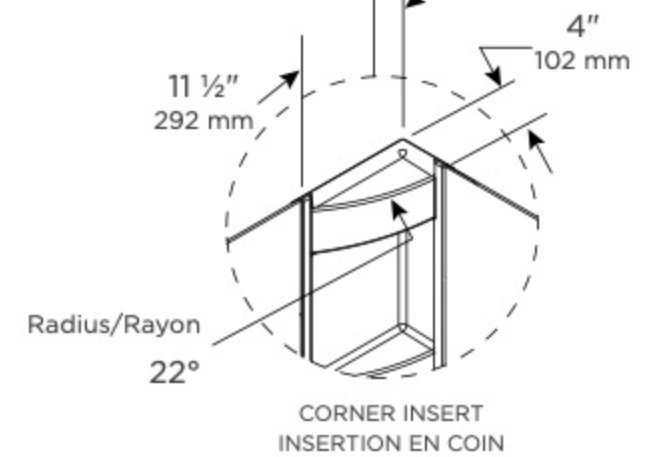
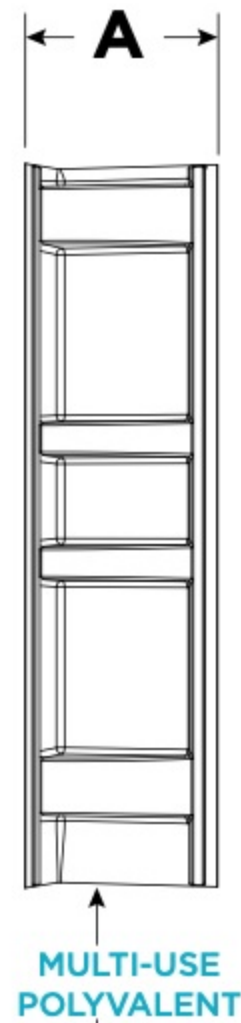
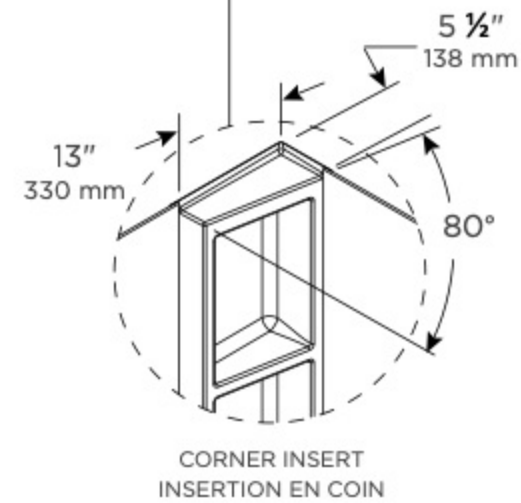
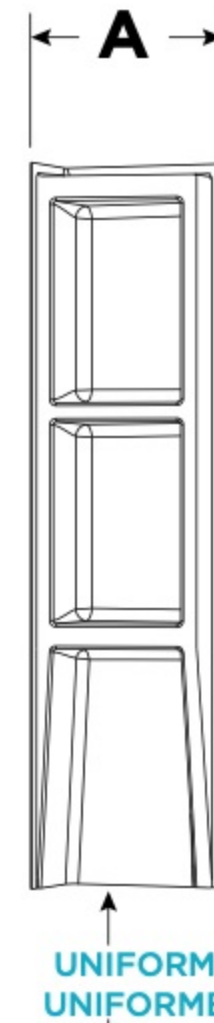
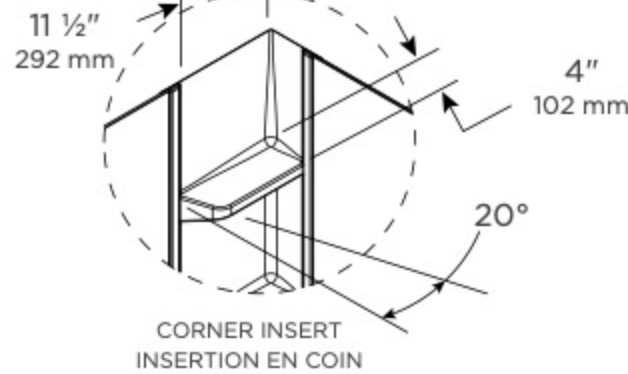


TECHNICAL DRAWINGS | DESSINS TECHNIQUES

5 PIECES | 5 PIÈCES



MINIMALIST
MINIMALISTE



	A	B	C	D
58	14 x 6 1/2 in./po 355 x 165 mm	33 1/4 in./po 845 mm	26 1/2 in./po 673 mm	58 in./po 1473 mm
80			33 1/4 in./po 845 mm	80 in./po 2032 mm