

# RF28T5F01SR

SAMSUNG

## 28 cu. ft. 3-Door French Door Refrigerator with Family Hub™



### 6 Simple Truths

#### What should we have for dinner?

See inside your refrigerator from anywhere, shop for groceries, search for recipes and preheat your oven—all from the Family Hub.

#### I love entertaining friends and family

Stream your favorite music apps on the Family Hub and enjoy premium speaker-quality listening.

#### I miss out because I'm busy in the kitchen

Mirror shows, movies or live sports from your Samsung TV on the Family Hub.

#### I'm always multitasking

Get a notification on the Family Hub when the laundry is done.

#### I want peace of mind when I'm home with my family

See who's at the front door. Monitor the baby's room. Adjust the thermostat—all from the Family hub.

#### It's the little moments that matter

Upload pictures remotely to the Family Hub. Leave handwritten notes for loved ones. Set reminders for when you get home.

### Available Colors

 Fingerprint Resistant Stainless Steel (shown)

 Fingerprint Resistant Black Stainless Steel



Family Hub™



Large Capacity

### Design

- Large Capacity of 28 cu. ft.
- Fingerprint Resistant Finish
- High-Efficiency LED Lighting
- EZ-Open Handle™

### Convenience

- Full-width internal refrigerator drawer
- Wi-Fi and Bixby Enabled
- Adjustable Spill-Proof Shelves
- Door Alarm
- Water Filter Indicator

### Performance

- All-Around Cooling
- Ice Max Ice Maker - Stores up to 5.5 lbs of ice

### Rating



ENERGY STAR® rated:  
673 kWh/yr



ADA Compliant

# RF28T5F01SR

SAMSUNG

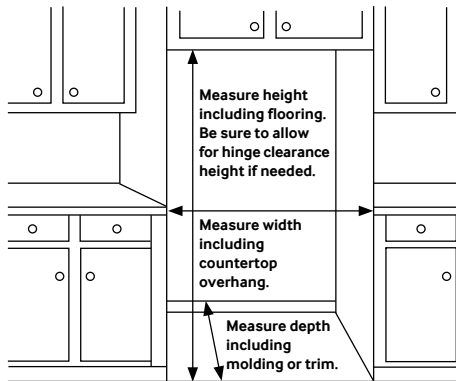
## 28 cu. ft. 3-Door French Door Refrigerator with Family Hub™

### Installation Specifications

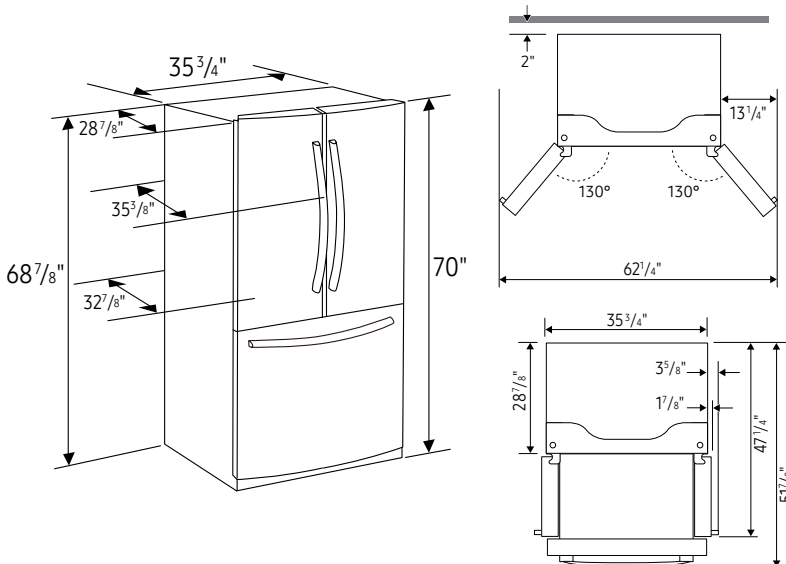
1. Measure the height, width and depth of the opening, making sure to include baseboards, molding tile, countertop overhang, etc. Check to be sure there is enough room to open the door (consider walls, islands or other obstacles when measuring).
2. Refer to illustration below to determine dimensions.
3. Allow 2.5" of clearance on hinge side of refrigerator when installing next to a wall where handle may make contact.
4. Allow 1" minimum clearance at rear for proper air circulation and water/electrical connections. Allow a 3/8" minimum clearance at sides and top for ease of installation.
5. Ensure each door and entryway in the home is wide enough for the refrigerator to be moved through easily.

For optimal usage and ability to open refrigerator doors completely, do not install next to a wall.

Please note: The following dimension and cutout information is for planning purposes only. For complete installation details, consult manual packed with product, or download manual online at [samsung.com](http://samsung.com).



### Dimensions



**Total Capacity: 27.7 cu. ft.**

**Refrigerator: 19.1 cu. ft.**

- Full-Width Drawer
- 5 Tempered Glass Spill-Proof Shelves
- 2 Humidity-Controlled Crispers
- 6 Door Bins
  - Right Door: 3 Regular Bins
  - Left Door: 3 Regular Bins
- Adjustable Shelves for Tall, Oversized Items
- High-Efficiency LED Lighting

**Freezer: 8.6 cu. ft.**

- EZ-Open Handle™
- 1 Large Opaque Bin with 1 Divider
- Auto Pull-Out Upper Drawer
- High-Efficiency LED Lighting

### Accessories

Water Filter: HAF-QIN

### Warranty

One (1) Year Parts and Labor on Refrigerator  
Five (5) Years Parts and Labor on Sealed Refrigeration System Only\*  
Ten (10) Years Parts and Five (5) Years Labor on Digital Inverter Compressor

\*Compressor, evaporator, condenser, drier and connecting tubing.

### Product Dimensions & Weight

Dimensions (WxHxD with hinges, handles and doors):  
35<sup>3</sup>/<sub>4</sub>" x 70" x 35<sup>3</sup>/<sub>8</sub>"

Dimensions (WxHxD without hinges and door):  
35<sup>3</sup>/<sub>4</sub>" x 68<sup>7</sup>/<sub>8</sub>" x 28<sup>7</sup>/<sub>8</sub>"

Dimensions (WxHxD with hinge and door, no handle):  
35<sup>3</sup>/<sub>4</sub>" x 70" x 32<sup>7</sup>/<sub>8</sub>"

Weight: 289 lbs

### Shipping Dimensions & Weight (WxHxD)

Dimensions: 37<sup>23</sup>/<sub>32</sub>" x 75<sup>5</sup>/<sub>16</sub>" x 35<sup>29</sup>/<sub>32</sub>"

Weight: 298 lbs

### Color

Fingerprint Resistant  
Stainless Steel

### Model #

RF28T5F01SR

### UPC Code

887276429472

Fingerprint Resistant  
Black Stainless Steel

RF28T5F01SG

887276429465