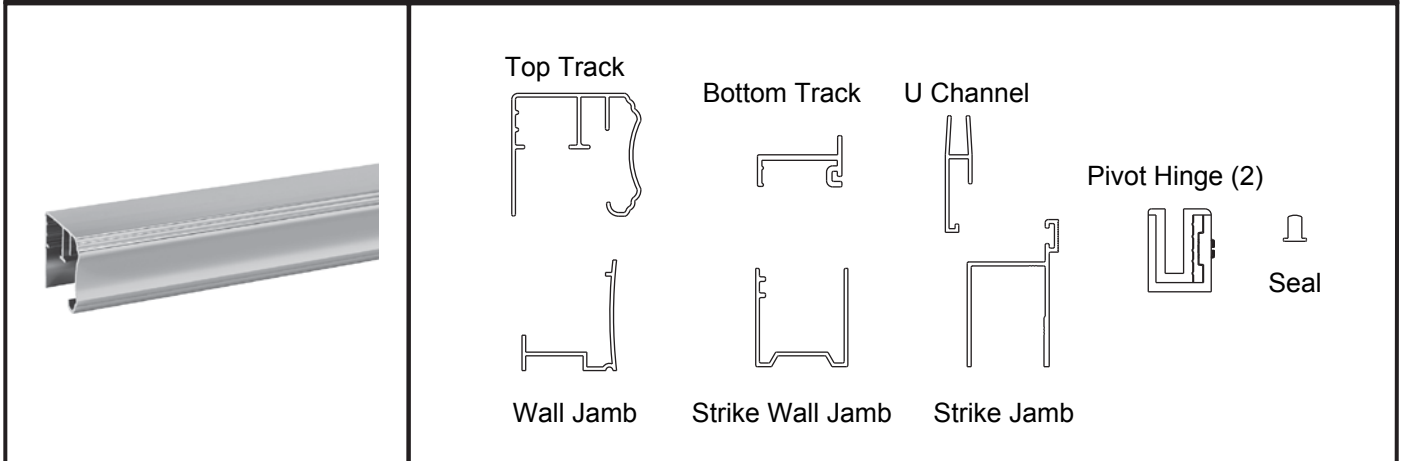


TECHNICAL DATA

Shower Door

TOP TRACK PIVOTING SHOWER 31" AND 36"



MATERIALS:

Anodized Aluminum Excursions (Track), Bronze Finish is Powder Coated.

INSTALLATION:

Detailed Instructions and Hardware Included for Easy Installation.

UNIQUE FEATURE:

Door Can be Hinged to Open Left or Right.
Constructed of Corrosion Resistant Anodized Aluminum.

31" Pivoting Shower Door Track Assembly Kit:

Fits Pivot Shower Doors with an Opening min/max of 27-1/2" - 31-1/2" (70cm-80cm), with a 66" (168cm) Height.

36" Pivoting Shower Door Track Assembly Kit:

Fits Pivot Shower Doors with an Opening min/max of 31-1/4" - 36" (79cm-91cm), with a 66" (168cm) Height.

WARRANTY:

5 Year Limited Warranty.

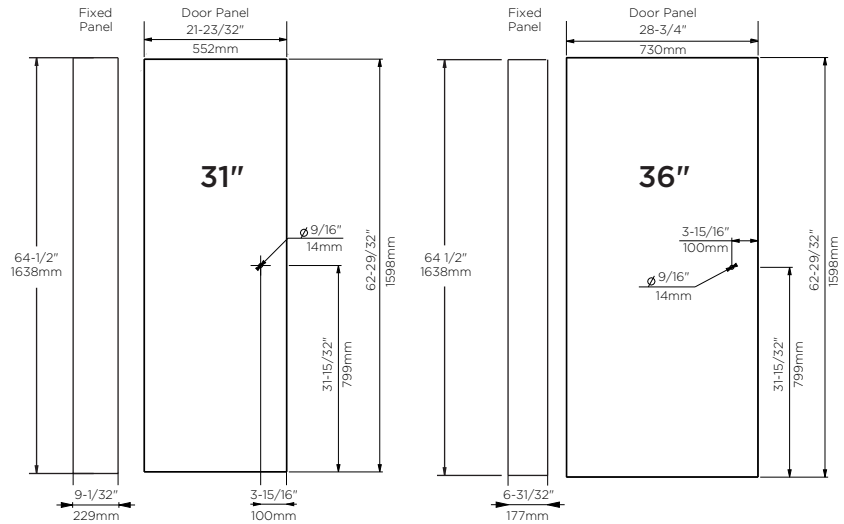


see what Delta can do™

TECHNICAL DATA

Shower Door

TOP TRACK PIVOTING SHOWER 31" & 36" GLASS PANELS



MATERIALS:

1/4" (6mm) Tempered Glass Panel (Large panel), 3/16" (4.16mm) Tempered Glass Panel (Fixed In-Line Panel).

INSTALLATION:

Detailed Instructions and Hardware Included for Easy Installation.

UNIQUE FEATURE:

Spot Guard Easy Clean Coating.

31" Tempered Glass Panel:

Fits Pivot Shower Doors with an Opening min/max of 27 1/2" - 31 1/2" (70cm-80cm), with a Height of 66" (168cm).

36" Tempered Glass Panel:

Fits Pivot Shower Doors with an Opening min/max of 31 1/4" - 36" (79cm-91cm), with a Height of 66" (168cm)

WARRANTY:

5 Year Limited Warranty.

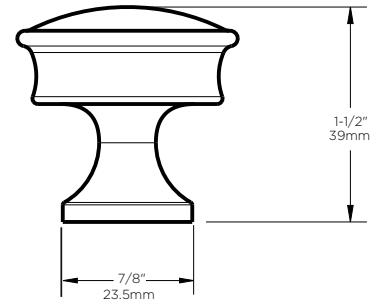
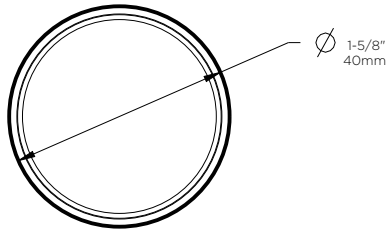


see what Delta can do™

TECHNICAL DATA

Shower Door

SILVERTON KNOB



- MATERIALS:** Zinc Die Cast.
- INSTALLATION:** Detailed Instructions and Hardware Included for Easy Installation.
- UNIQUE FEATURE:** Coordinates with Delta® Faucets and Bath Hardware. Compatible with All Delta® Pivoting Doors.
- WARRANTY:** 5 Year Limited Warranty.



see what Delta can do™