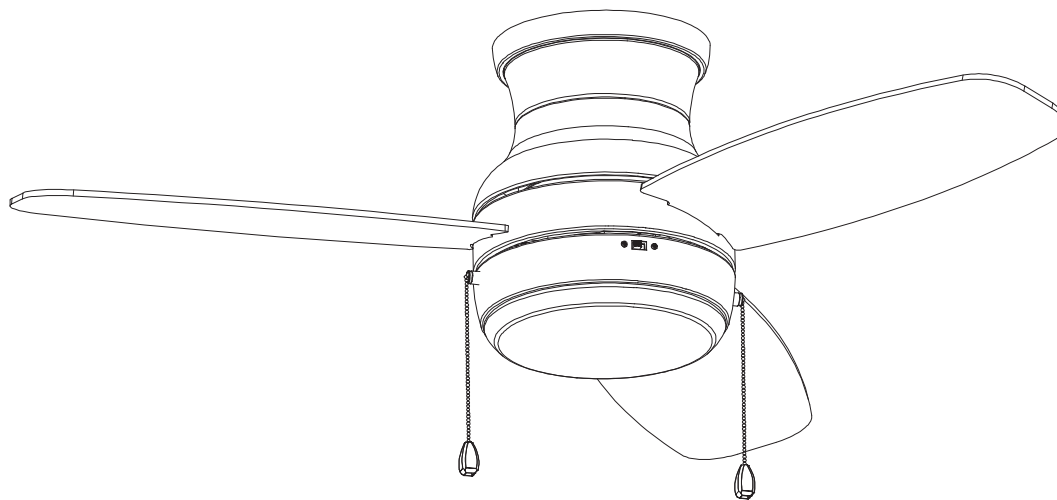


USE AND CARE GUIDE

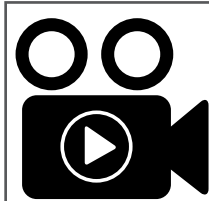
ASHBY PARK 44-INCH CEILING FAN



Questions, problems, missing parts? Before returning to the store,
call Home Decorators Collection Customer Service
8 a.m. - 7 p.m., EST, Monday-Friday, 9 a.m. - 6 p.m., EST, Saturday.

1-800-986-3460

HOMEDEPOT.COM/HOMEDECORATORS



To view an instructional video on how to install this product:

1. Go to www.homedepot.com and enter either the Item or Model number, found in the top right corner of the cover of this instruction manual, in the search field.
2. Click on your product from the list of search results and click on the video link in the "Product Overview" section.

THANK YOU

We appreciate the trust and confidence you have placed in Home Decorators Collection through the purchase of this ceiling fan. We strive to continually create quality products designed to enhance your home. Visit us online to see our full line of products available for your home improvement needs. Thank you for choosing Home Decorators Collection!

Table of Contents

Table of Contents	2	Assembly	7
Safety Information	2	Operation	11
Warranty	3	Care and Cleaning	12
Pre-Installation	3	Troubleshooting	12
Installation.....	6		

Safety Information

READ AND SAVE THESE INSTRUCTIONS.

1. To reduce the risk of electric shock, ensure the electricity has been turned off at the circuit breaker or fuse box before you begin.
2. All wiring must be in accordance with the National Electrical Code ANSI/NFPA 70-1999 and local electrical codes. Electrical installation should be performed by a qualified licensed electrician.
3. The outlet box and support structure must be securely mounted and capable of reliably supporting 35 lbs. (15.9 kg). Use only UL Listed outlet boxes marked "Acceptable for Fan Support of 35 lbs. (15.9 kg) or less."
4. The fan must be mounted with a minimum of 7 ft (2.1 m) clearance from the trailing edge of the blades to the floor.
5. Do not operate the reversing switch while the fan blades are in motion. You must turn the fan off and stop the blades before you reverse the blade direction.
6. Do not place objects in the path of the blades.
7. To avoid personal injury or damage to the fan and other items, use caution when working around or cleaning the fan.
8. Electrical diagrams are for reference only. Light kits that are not packed with the fan must be UL listed and marked suitable for use with the model fan you are installing. Switches must be UL General Use Switches. Refer to the instructions packaged with the light kits and switches for proper assembly.
9. After making electrical connections, spliced conductors should be turned upward and pushed carefully up into the outlet box. The wires should be spread apart with the grounded conductor and the equipment-grounding conductor on one side of the outlet box.
10. All setscrews must be checked and retightened where necessary before installation.



WARNING: To reduce the risk of personal injury, do not bend the blade brackets (also referred to as flanges) during assembly or after installation. Do not insert objects in the path of the blades.



WARNING: To reduce the risk of fire or electric shock, do not use this fan with any solid-state speed control device.



WARNING: To reduce the risk of fire, electric shock or personal injury, mount to outlet box marked "Acceptable for fan support of 35 lbs. (15.9 kg) or less", and use screws provided with the outlet box.



WARNING: To avoid possible electrical shock, turn the electricity off at the main fuse box before wiring. If you feel you do not have enough electrical wiring knowledge or experience, contact a licensed electrician.



WARNING: Electrical diagrams are for reference only. Optional use of any light kit shall be UL-listed and marked suitable for use with this fan.



CAUTION: To reduce the risk of personal injury, use only the screws provided with the outlet box.



CAUTION: To avoid personal injury or damage to the fan and other items, use caution when working around or cleaning the fan.

Warranty

The supplier warrants the fan motor to be free from defects in workmanship and material present at time of shipment from the factory for a lifetime after the date of purchase by the original purchaser. The supplier also warrants that all other fan parts, excluding any glass or acrylic blades, to be free from defects in workmanship and material at the time of shipment from the factory for a period of two years after the date of purchase by the original purchaser. We agree to correct such defects without charge or at our option replace with a comparable or superior model if the product is returned. To obtain warranty service, you must present a copy of the receipt as proof of purchase. All costs of removing and reinstalling the product are your responsibility. Damage to any part such as by accident, misuse, improper installation, or by affixing any accessories, is not covered by this warranty. Because of varying climatic conditions this warranty does not cover any changes in brass finish, including rusting, pitting, corroding, tarnishing, or peeling. Brass finishes of this type give their longest useful life when protected from varying weather conditions. A certain amount of "wobble" is normal and should not be considered a defect. Servicing performed by unauthorized persons shall render the warranty invalid. There is no other express warranty. Home Decorators Collection hereby disclaims any and all warranties, including but not limited to those of merchantability and fitness for a particular purpose to the extent permitted by law. The duration of any implied warranty which cannot be disclaimed is limited to the time period as specified in the express warranty. Some states do not allow a limitation on how long an implied warranty lasts, so the above limitation may not apply to you. The retailer shall not be liable for incidental, consequential, or special damages arising out of or in connection with product use or performance except as may otherwise be accorded by law. Some states do not allow the exclusion of incidental or consequential damages, so the above exclusion or limitation may not apply to you. This warranty gives specific legal rights, and you may also have other rights which vary from state to state. This warranty supersedes all prior warranties. Shipping costs for any return of product as part of a claim on the warranty must be paid by the customer.

Contact the Customer Service Team at 1-800-986-3460 or visit www.HomeDepot.com/homedecorators.

Pre-Installation

SPECIFICATIONS

Size	Speed	Volts	Amps	Watts	RPM	CFM	Net Weight	Gross Weight	Cubic Feet
44 in.	Low	120	0.21	12	115	1667	15.21 lbs. (6.9 kg)	17.64 lbs (8 kg)	1.812 cu.ft.
	Medium		0.33	29	190	2733			
	High		0.43	53	245	3643			



NOTE: These are approximate measures. They do not include the amps and wattage used by the light kit.



TOOLS REQUIRED



Phillips
screwdriver



Flat blade
screwdriver



Adjustable
wrench



Electrical
tape



Wire
cutter



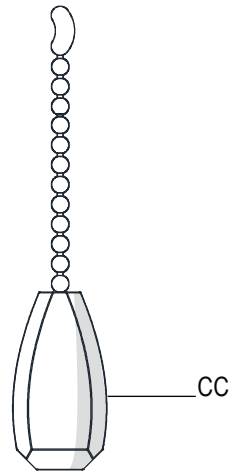
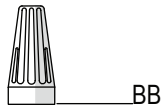
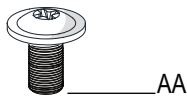
Step ladder

Pre-Installation (continued)

HARDWARE INCLUDED



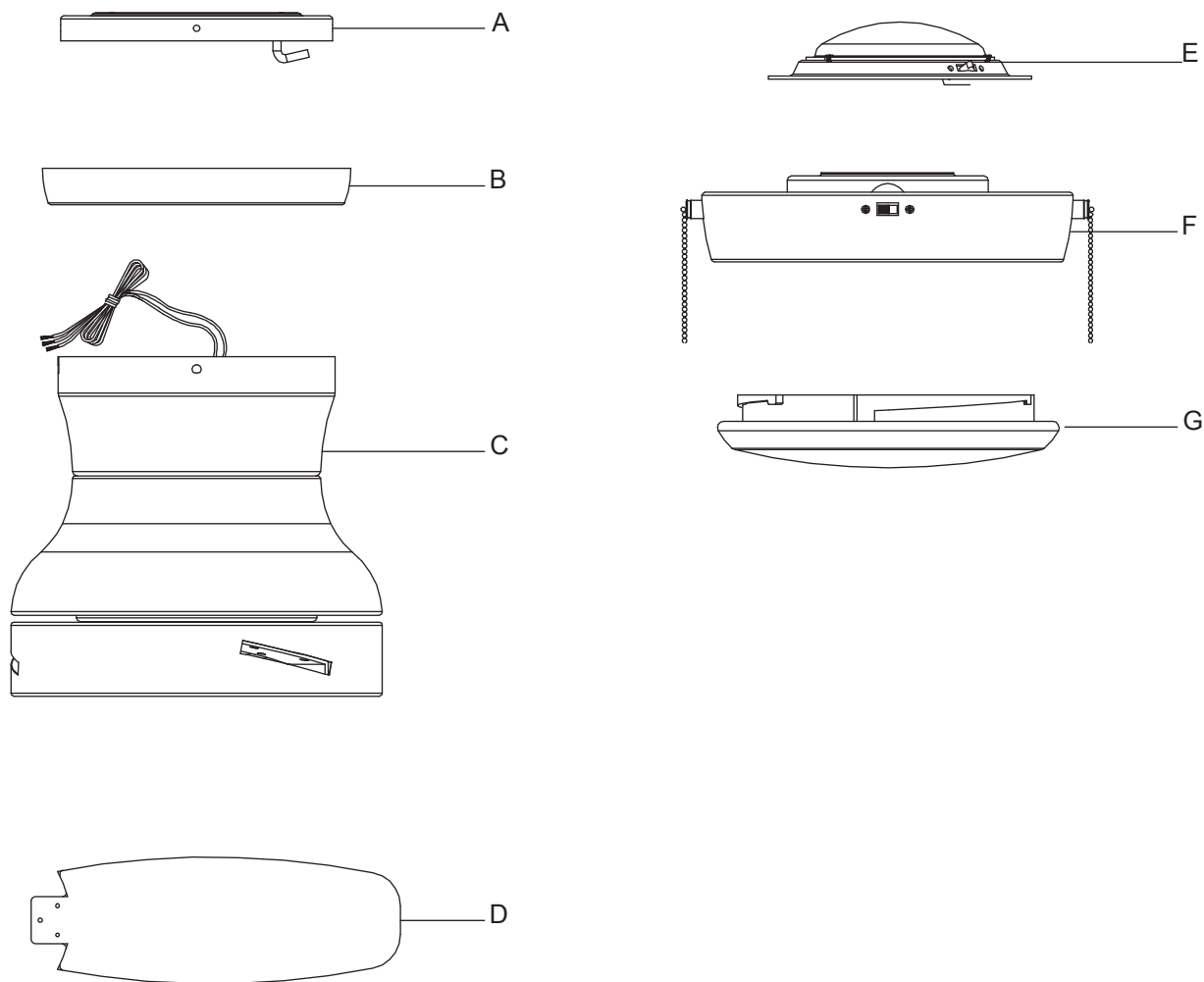
NOTE: Hardware not shown to actual size.



Part	Description	Quantity
AA	Blade attachment screws	10
BB	Plastic wire connector	3
CC	Pull chain	2

Pre-Installation (continued)

PACKAGE CONTENTS



Part	Description	Quantity
A	Mounting plate	1
B	Trim ring	1
C	Fan-motor assembly	1
D	Blade	3

Part	Description	Quantity
E	Light kit fitter assembly	1
F	Light kit pan	1
G	Glass bowl	1



IMPORTANT: This product and/or components are governed by one or more of the following U.S. Patents: 5,947,436; 5,988,580; 6,010,110; 6,046,416; 6,210,117 and other patents pending.

Installation

MOUNTING OPTIONS

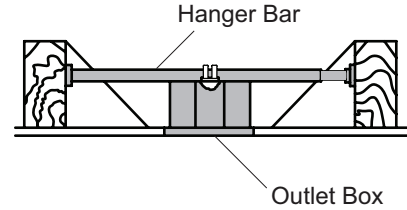


WARNING: To reduce the risk of fire, electric shock or personal injury, mount to outlet box marked "Acceptable for fan support of 35 lbs. (15.9 kg) or less", and use screws provided with the outlet box. An outlet box commonly used for the support of lighting fixtures may not be acceptable for fan support and may need to be replaced. If in doubt, consult a qualified electrician.

If your ceiling fan does not have an existing UL-listed mounting box, then install one using the following instructions:

- Disconnect the power by removing the fuses or turning off the circuit breakers.
- Secure the outlet box directly to the building structure. Use the appropriate fasteners and materials. The outlet box and support structure must be securely mounted and capable of reliably supporting 35 lbs. (15.9 kg). Use only UL Listed outlet boxes marked "Acceptable for Fan Support of 35 lbs. (15.9 kg) or less." Do not use a plastic outlet box.

The illustrations below show two different ways to mount the outlet box.



To hang your fan where there is an existing fixture but no ceiling joist, you may need an installation hanger bar as shown above (available at any Home Depot store).

Assembly - Hanging the Fan

1 Attaching the fan to the electrical box

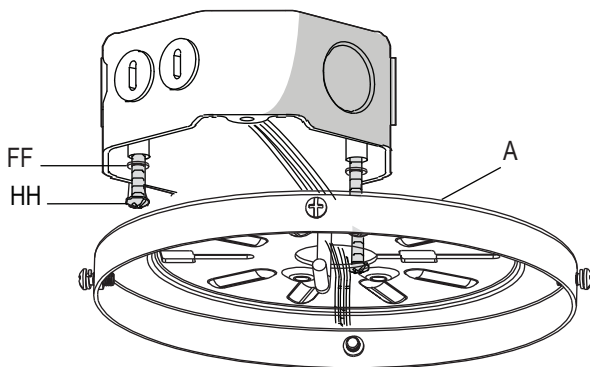


WARNING: To avoid possible electrical shock, turn the electricity off at the main fuse box before wiring. If you feel you do not have enough electrical wiring knowledge or experience, contact a licensed electrician.



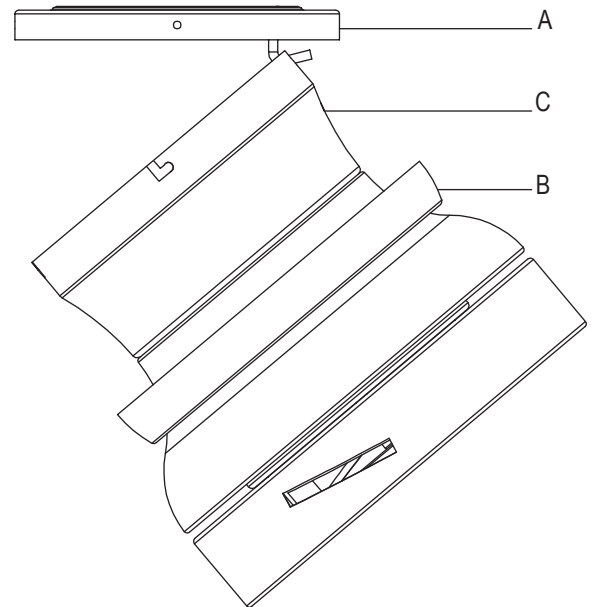
NOTE: For better fan performance, make sure the mounting plate is level. Additional washers (FF) (not included) may be needed to insert between the outlet box and mounting plate.

- Turn the power off.
- Loosen the two mounting screws (HH) supplied with the outlet box, but do not remove the screws.
- Securely attach the mounting plate (A) to the outlet box by sliding the mounting plate (A) over the two mounting screws (HH) supplied with the outlet box. Pull the 120-volt supply wires (the black, white and ground wires) out of the outlet box and through the hole in the mounting plate (A) and lay them to the side.



2 Hanging the fan-motor assembly

- Attach the trim ring (B) to the fan motor assembly (C) from the opening of the motor housing. Make sure the slots of trim ring (B) are on top.
- Carefully lift the fan-motor assembly (C) and hang the fan motor assembly (C) on the hook of the mounting plate (A) by utilizing one of the holes at the outer rim of the motor housing so that it is securely suspended. Then connect the wiring to your fan according to step 3 "Making the Electrical Connections".



Assembly - Hanging the Fan (continued)

3 Making the electrical connection

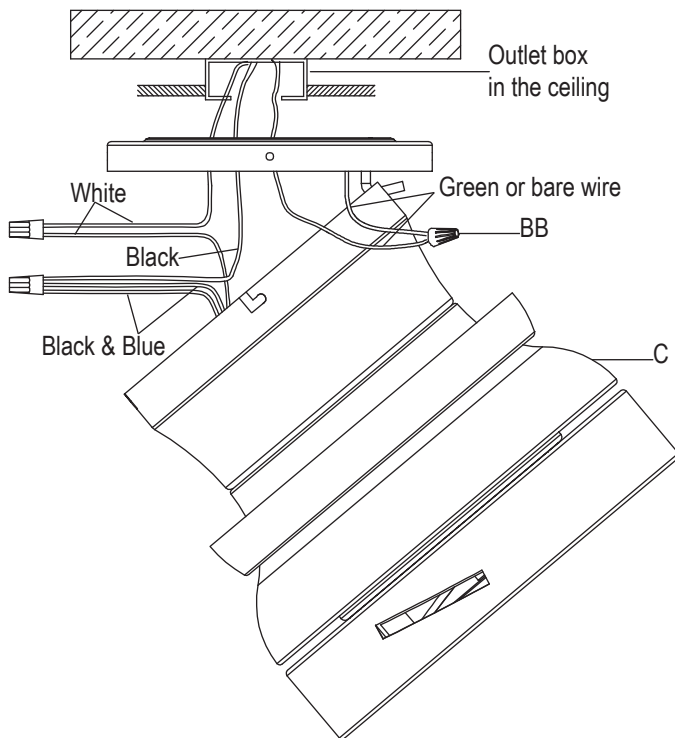


WARNING: Each wire nut supplied with this fan is designed to accept up to one 12-gauge house wire and two wires from the fan. If you have larger than 12-gauge house wiring or more than one house wire to connect to the fan wiring, consult an electrician for the proper size wire nuts to use.



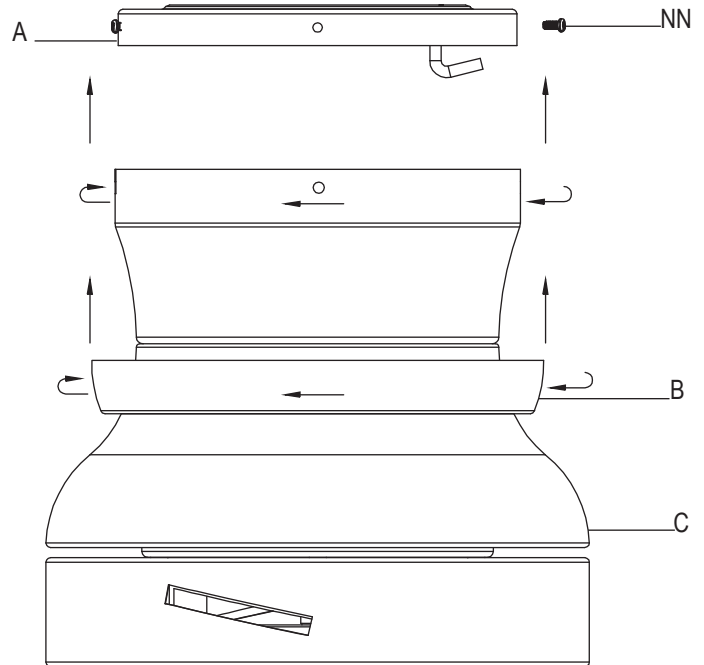
IMPORTANT: Use the plastic wire connectors (BB) supplied with your fan. Secure the connectors with electrical tape and ensure there are no loose strands or connections.

- Connect the ground conductor of the 120-Volt supply (this may be a bare wire or a wire with green colored insulation) to the green wire from the motor bracket using a plastic wire connector (BB).
- Connect the fan motor white wire to the household white wire using a plastic wire connector (BB).
- Connect the fan motor black wire and blue wire to the household black wire using a plastic wire connector (BB).
- Secure each wire connecting nut using electrical tape.
- Turn the wire connecting nut (BB) upward and push the wiring into the outlet box.



4 Installing the motor assembly

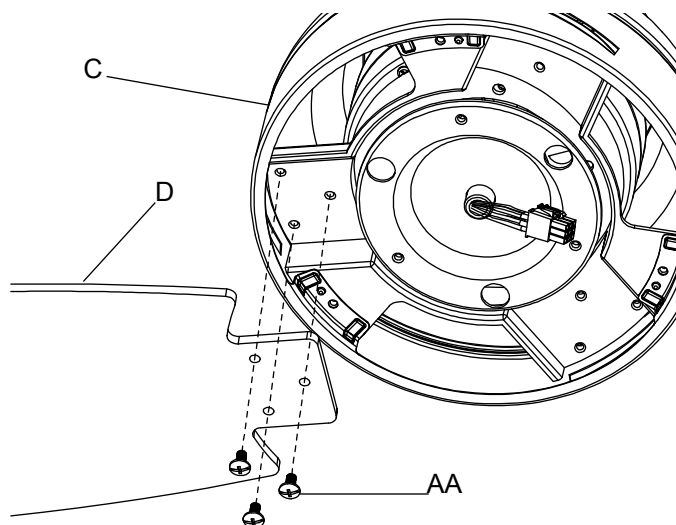
- Remove two of the four screws (located diagonally from each other) (NN) from the top of the mounting plate (A) and loosen the other two screws (NN).
- Align the two key slots in the top of the fan motor assembly (C) with the two loosened screws (NN) on the mounting plate (A). Push the fan motor assembly (C) up and turn it clockwise to lock in the mounting plate (A). Tighten the two screws.
- Install the two screws that were removed at the beginning of this step into the remaining two holes and tighten the four screws firmly.
- Install the trim ring (B) by aligning the ring's slots with the screws on the mounting plate (A). Rotate the ring clockwise to lock in place.



Assembly - Attaching the Blades

5 Attaching the blades

- Attach a blade (D) to the fan motor assembly (C) by inserting the blade (D) into slots in the side of the fan motor assembly (C) and aligning the three screws holes in the blade with the holes in the center flywheel and secure with screws (AA).
- Make sure all the screws are firmly tightened.
- Repeat these steps for the remaining blades.



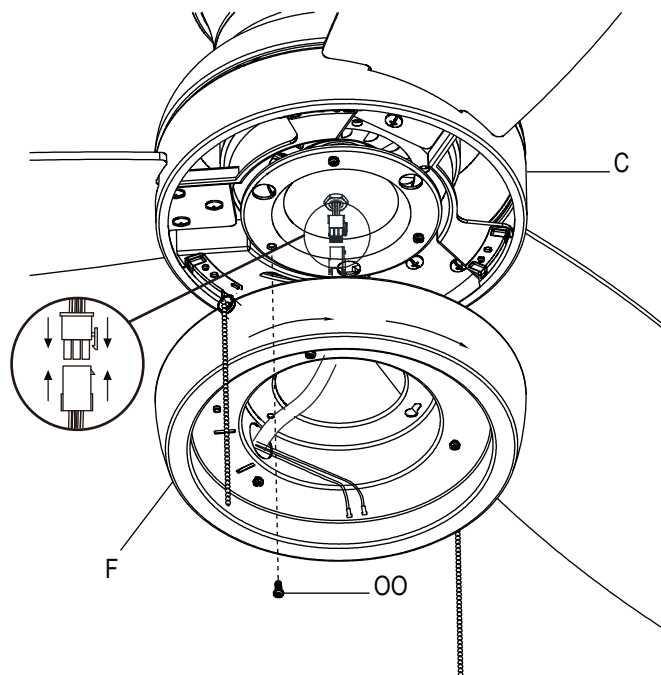
Assembly - Attaching the Light Kit

6 Installing the light kit pan



IMPORTANT: It is critical to attach the light kit pan using quick connector. The fan will not operate unless the light kit pan is connected to the fan.

- Remove one screw (00) from the black bracket below the fan motor assembly (C), and loosen but do not remove the other two screws.
- Connect the 9-pin plug exiting the bottom of the fan motor assembly (C) to the 9-pin plug from the light kit pan (F). Be sure the plug connections snap together completely.
- Push the light kit pan (F) up to the fan motor assembly (C) so that the two loosened screw heads fit into the keyhole slots. Turn the light kit pan (F) clockwise.
- Re-install the screw (00) that was removed in step 1.
- Make sure all the screws are firmly tightened.



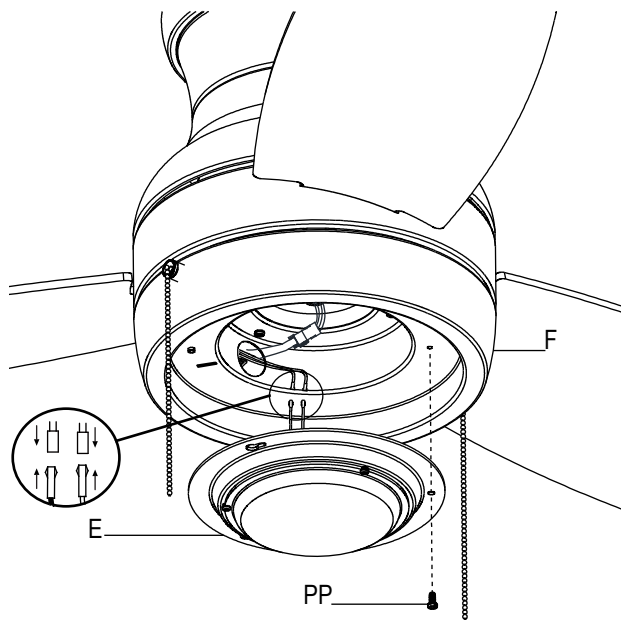
Assembly - Attaching the Light Kit (continued)

7 Attaching the light kit fitter assembly



CAUTION: To reduce the risk of electric shock, disconnect the electrical supply circuit to the fan before installing the light kit.

- Remove one screw (PP) from the light kit pan (F) and loosen but do not remove the other two screws.
- Connect the wires from the light kit fitter assembly (E) to the wires from the light kit pan (F) by connecting the molded adaptor plugs together. Carefully tuck all wires and splices into the switch cup.
- Push the light kit fitter assembly (E) up to the light kit pan (F) so that the two loosened screw heads fit into the keyhole slots. Turn the light kit fitter assembly (E) clockwise.
- Re-install the screw (PP) that was removed in step 1.
- Make sure all the screws are firmly tightened.



8 Installing the glass bowl

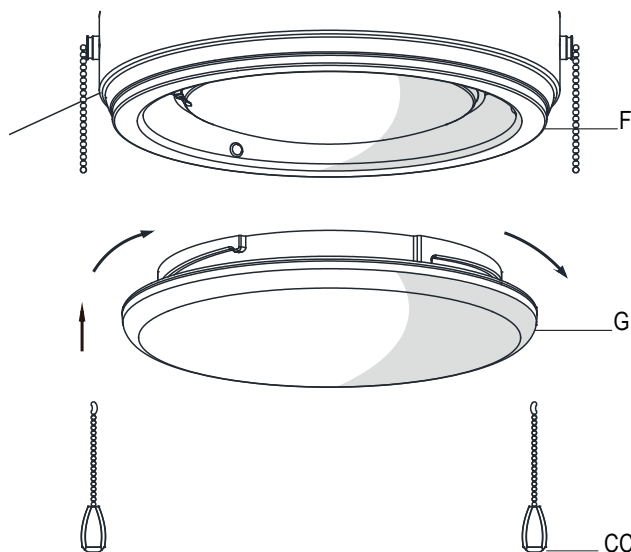


WARNING: Allow the glass bowl to cool completely before removing.




CAUTION: Make sure the power is off before attaching or removing the glass bowl.

- Place the glass bowl (G) into the light kit pan (F), aligning the three flat areas on the top flange of the glass bowl (G) with the raised dimples in the light kit pan.
- Turn the glass bowl (G) clockwise until it stops.
- Attach the pull chain extensions (CC) to the fan pull chains and light pull chains.



Operation

 **NOTE:** Wait for the fan to stop before reversing the direction of the blade rotation.

Turn on the power and check the operation of the fan. The pull chain controls the fan speeds as follows:

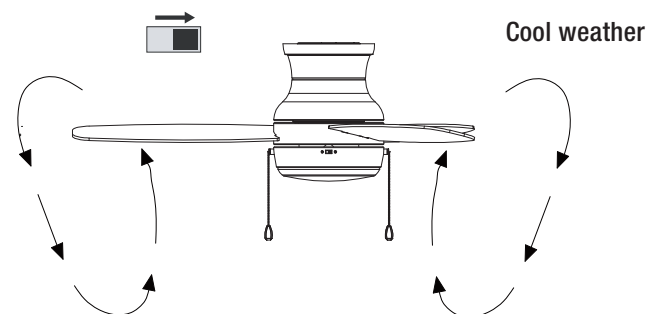
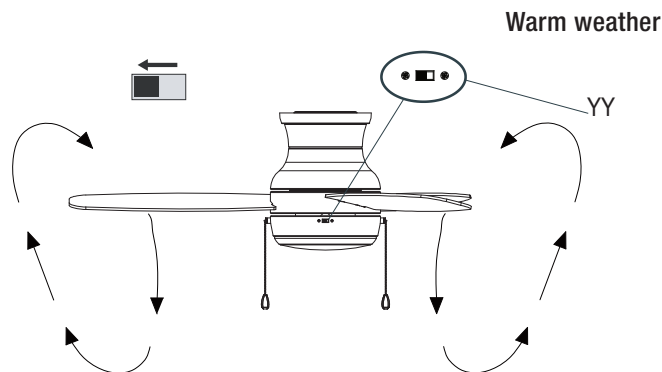
1 pull - High, 2 pulls - Medium, 3 pulls - Low, 4 pulls - off

The appropriate speed settings for warm or cool weather depends on factors such as the room size, ceiling height, and number of fans.

The slide switch (YY) controls the direction of the blades: forward (switch left) or reverse (switch right).

Warm weather - (Forward) A downward airflow creates a cooling effect. This allows you to set your air conditioner on a warmer setting without affecting your comfort.

Cool weather - (Reverse) An upward airflow moves warm air off of the ceiling. This allows you to set your heating unit on a cooler setting without affecting your comfort.



Correlated Color Temperature (CCT) changing

Your fan is equipped with a color changing LED module. There are three color temperature settings. Set the switch (ZZ) on the light kit fitter assembly to your desired setting.

Setting 1: 2700K-Warm White

Setting 2: 3000k-Soft White

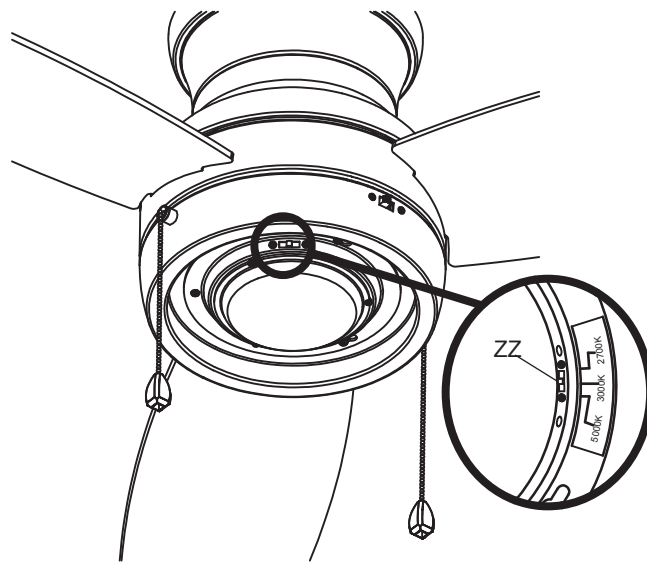
Setting 3: 5000K-Daylight



NOTE: The switch (ZZ) is pre-set to 3000K in soft white.



WARNING: Allow the light kit fitter assembly to cool completely before touching the switch (ZZ).



Care and Cleaning



WARNING: Make sure the power is off before cleaning your fan.

- Because of the fan's natural movement, some connections may become loose. Check the support connections, brackets, and blade attachments twice a year. Make sure they are secure. It is not necessary to remove the fan from the ceiling.
- Clean your fan periodically to help maintain its new appearance over the years. Do not use water when cleaning, as this could damage the motor, or the wood, or possibly cause an electrical shock. Use only a soft brush or lint-free cloth to avoid scratching the finish. The plating is sealed with a lacquer to minimize discoloration or tarnishing.
- You can apply a light coat of furniture polish to the wood for additional protection and enhanced beauty. Cover small scratches with a light application of shoe polish.
- You do not need to oil your fan. The motor has permanently-lubricated sealed ball bearings.

Troubleshooting

Problem	Solution
The fan will not start.	<ul style="list-style-type: none"><input type="checkbox"/> Check the main and branch circuit fuses or breakers.<input type="checkbox"/> Check the line wire connections to the fan and switch wire connections in the switch housing.
The fan is noisy.	<ul style="list-style-type: none"><input type="checkbox"/> Ensure all motor housing screws are snug.<input type="checkbox"/> Ensure the screws that attach the fan blade bracket to the motor hub are tight.<input type="checkbox"/> Ensure the wire nut connections are not rattling against each other or the interior wall of the switch housing.<input type="checkbox"/> Allow a 24-hour "breaking in" period. Most noises associated with a new fan disappear during this time.<input type="checkbox"/> Ensure your outlet box is secure and rubber isolator pads were used between the mounting plate and outlet box.
The fan wobbles.	<ul style="list-style-type: none"><input type="checkbox"/> Check that all blade and blade arm screws are secure.<input type="checkbox"/> Most fan wobble problems are caused when blade levels are unequal. Check this level by selecting a point on the ceiling above the tip of one of the blades. Measure from a point on the center of the blade to the point on the ceiling. Rotate the fan until the next blade is positioned for measurement, and measure from the same point on each blade to the ceiling. Repeat for each blade. Any measurement deviation should be within 1/8 in. Run the fan for ten minutes.

HOME DECORATORS COLLECTION

Questions, problems, missing parts? Before returning to the store,
call Home Decorators Collection Customer Service
8 a.m. - 7 p.m., EST, Monday-Friday, 9 a.m. - 6 p.m., EST, Saturday

1-800-986-3460

[HOMEDEPOT.COM/HOMEDECORATORS](https://www.homedepot.com/homedecorators)

Retain this manual for future use.