

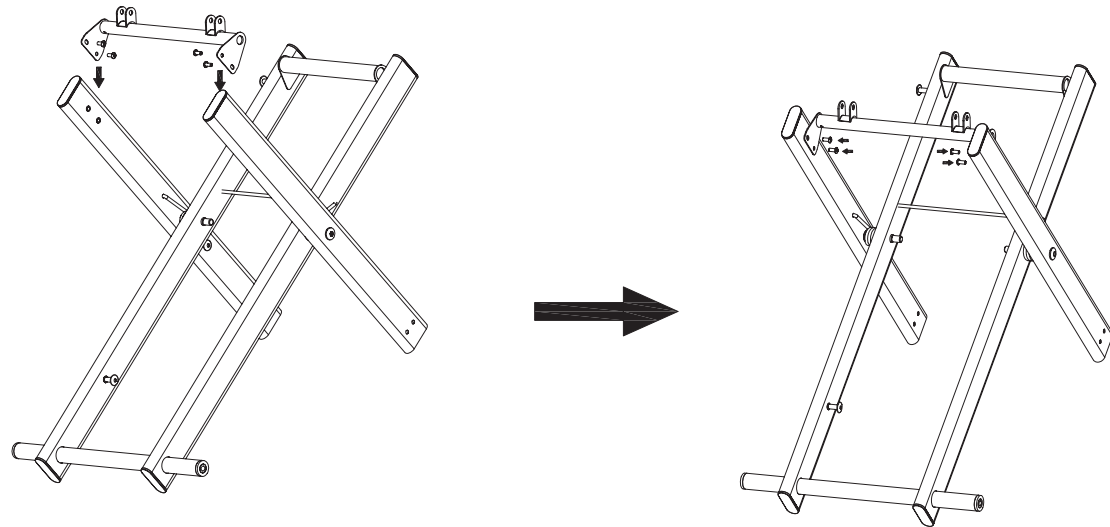
4. Assembly Instructions

Remove all contents from packaging and make sure all parts are present before attempting to assemble. Part numbers reference the tables on pages 4 and 5. Remove Grill Grate (Part C) and Flame Tamer (Part B) from inside the grill.

Step 1:

Left Up Tube Assembly

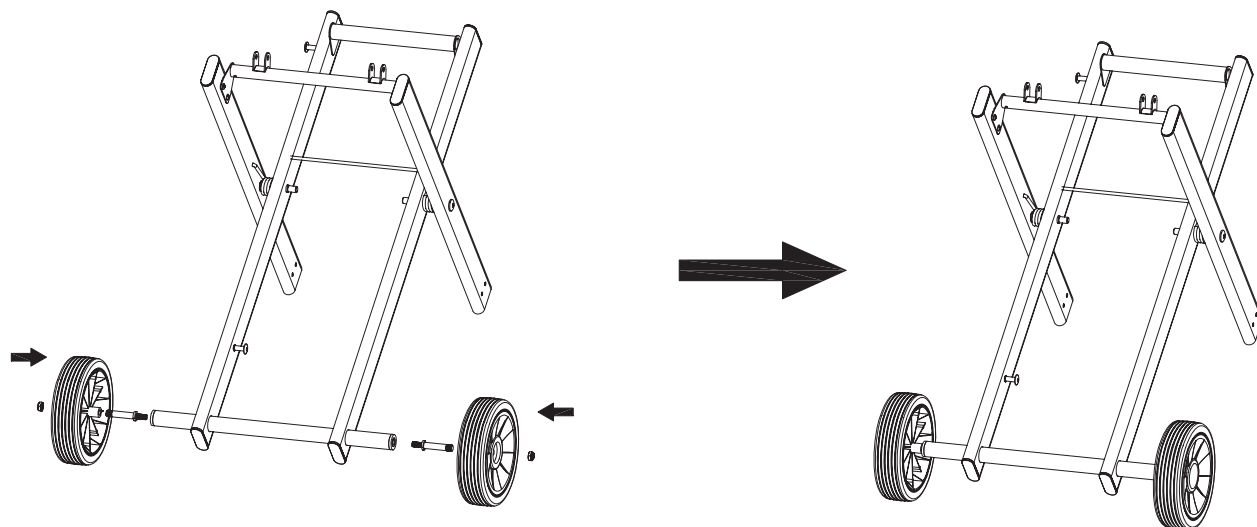
- Attach Left Up Tube Assembly (Part M) to the Cart Leg Assembly (Part J) with 4 Screws (Part N) as shown.



Step 2:

Wheel Assembly

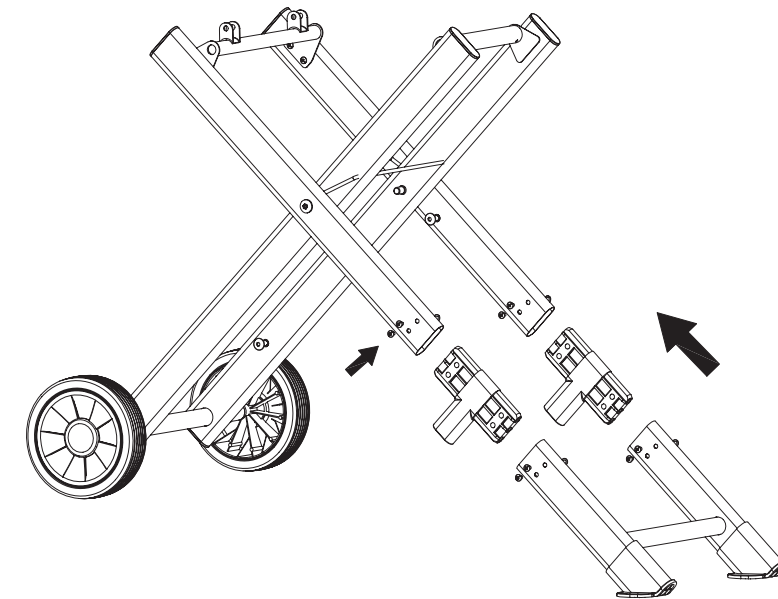
- Attach Wheel (Part G) to Cart Leg Assembly (Part J) with Axle Bolt (Part H) and Axle Bolt Hex Nut (Part I) as shown. Repeat for opposite side wheel.



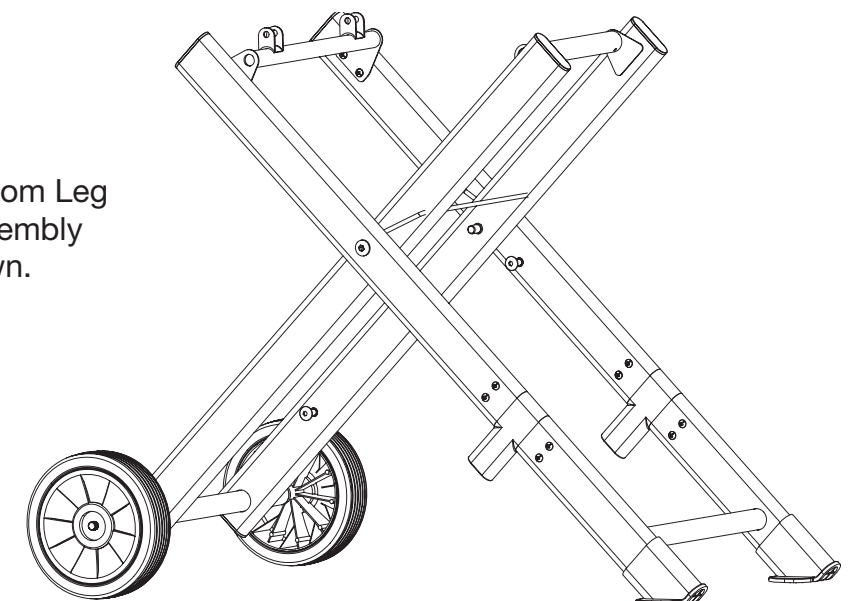
Step 3:

Leg Assembly

- Complete cart assembly by inserting Bottom Leg Connector (Part K) into Cart Leg Assembly (Part J) as shown. Repeat for both sides of Cart Leg Assembly.
- Be certain to insert Bottom Leg Connectors so that the support faces inward toward the base Wheels.



- Secure Cart Leg Assembly, Bottom Leg Connector and Bottom Leg Assembly with 16 Screws (Part N) as shown.

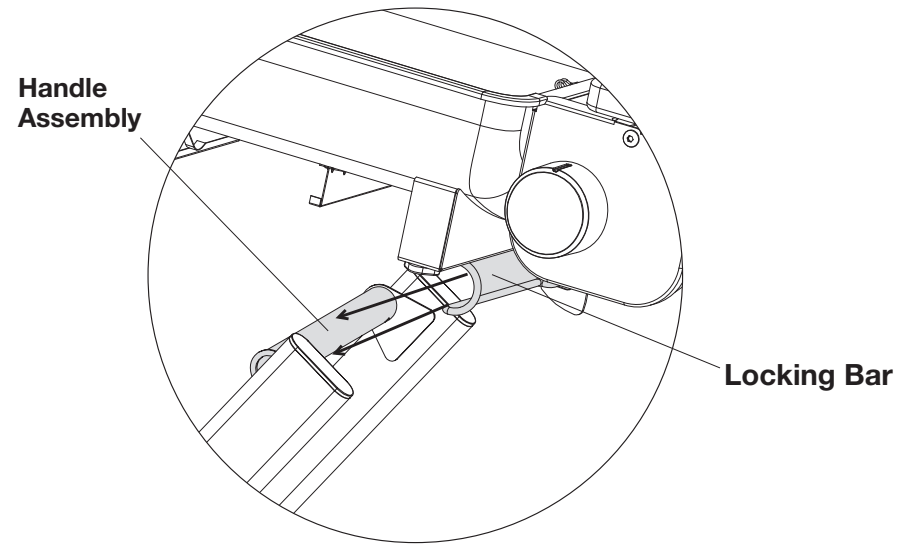


4. Assembly Instructions (cont.)

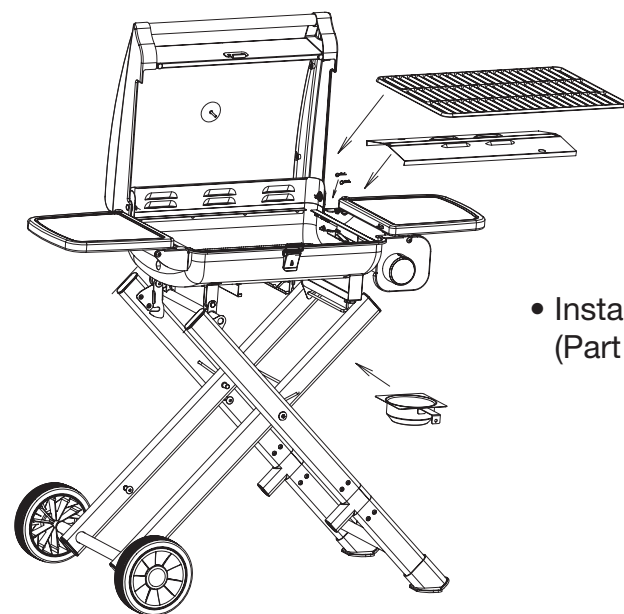
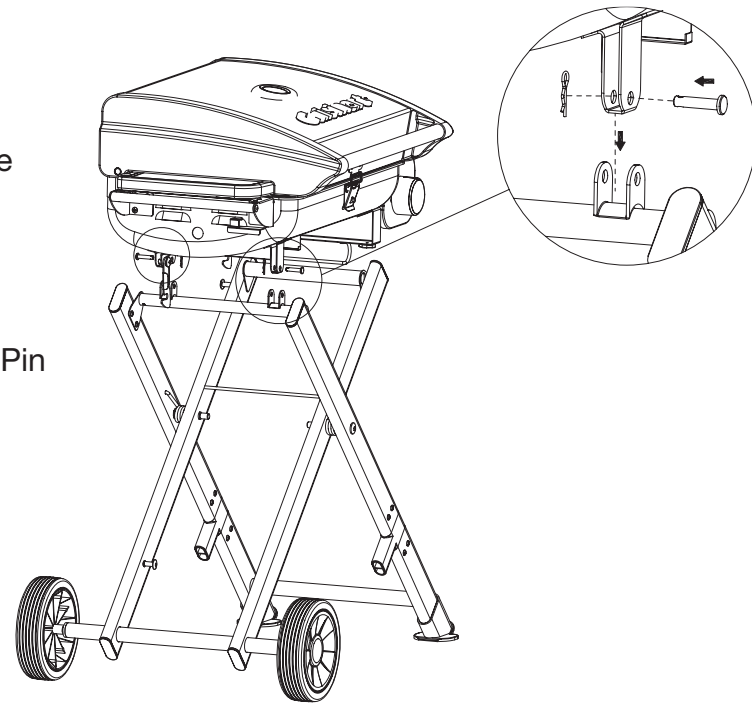
Step 4:

Grill Body Assembly

- Make sure wheels and leg assembly are stable and will not slide.
- Angle Grill Body (Part A) so Locking Bar rests under Handle Assembly.



- Lower Grill Body onto Left Up Tube Assembly (Part M) as shown, aligning the brackets on the bottom of the Grill Body between the brackets on the Left Up Tube Assembly.
- Secure Grill Body using 1 Grill Body Connector Pin (Part E) and 1 Connector Pin Cotter Pin (Part F) for each bracket as shown.
- Secure Locking Latch on back right side of grill.

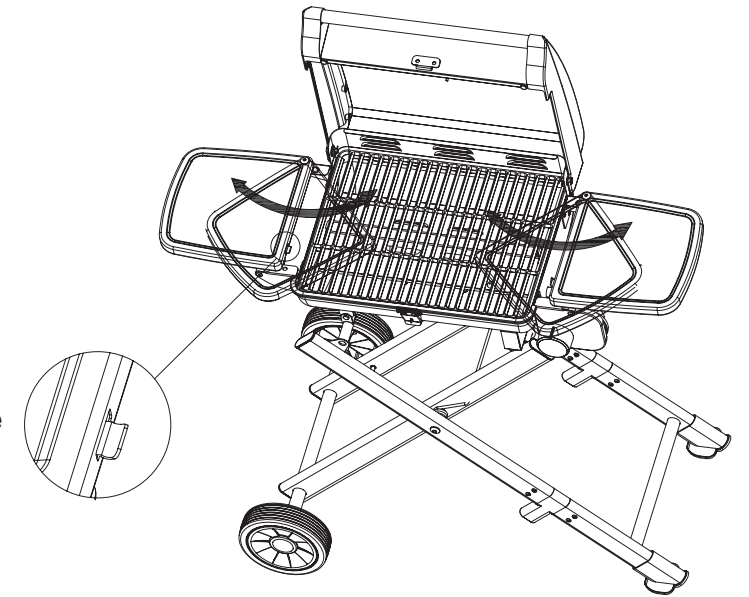


- Install Flame Tamer (Part B), Grill Grate (Part C) and Drip Tray (Part D) as shown.

Step 5:

Side Tables

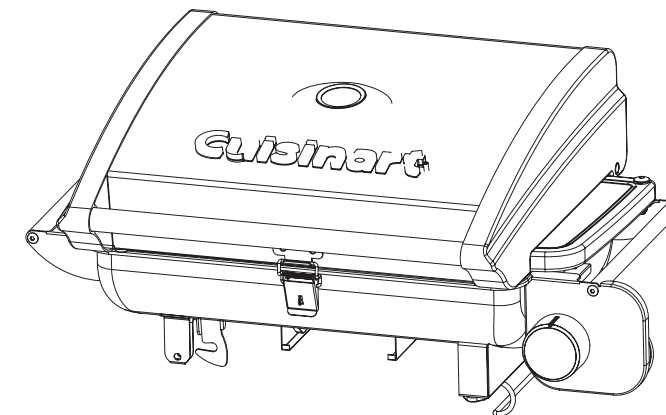
- Hide-away side shelves are designed to provide sturdy table space when the grill is in use.
- Be certain that the side tables are locked into place as shown when placing items on the side tables.
- The shelves slide inward for easy storage and transport when the grill is not in use.



Steps for Folding and Transport

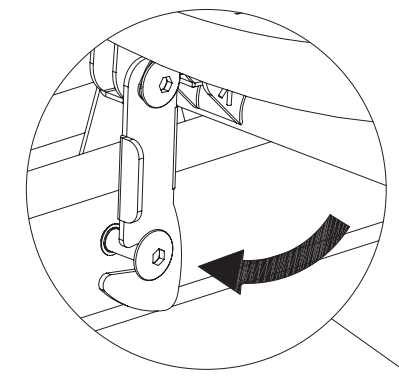
Step 1:

- Slide side shelves in and close the Grill Lid. Ensure the Front Lid Lock is secure so Grill Lid will not open during transport.



Step 2:

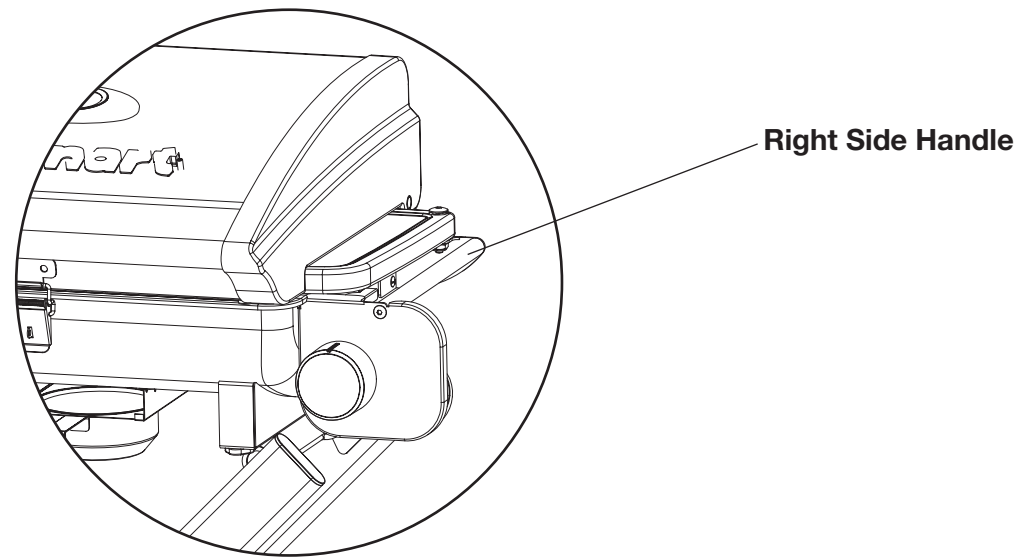
- Unlock Securing Latch on back right side of grill.



Steps for Folding and Transport (cont.)

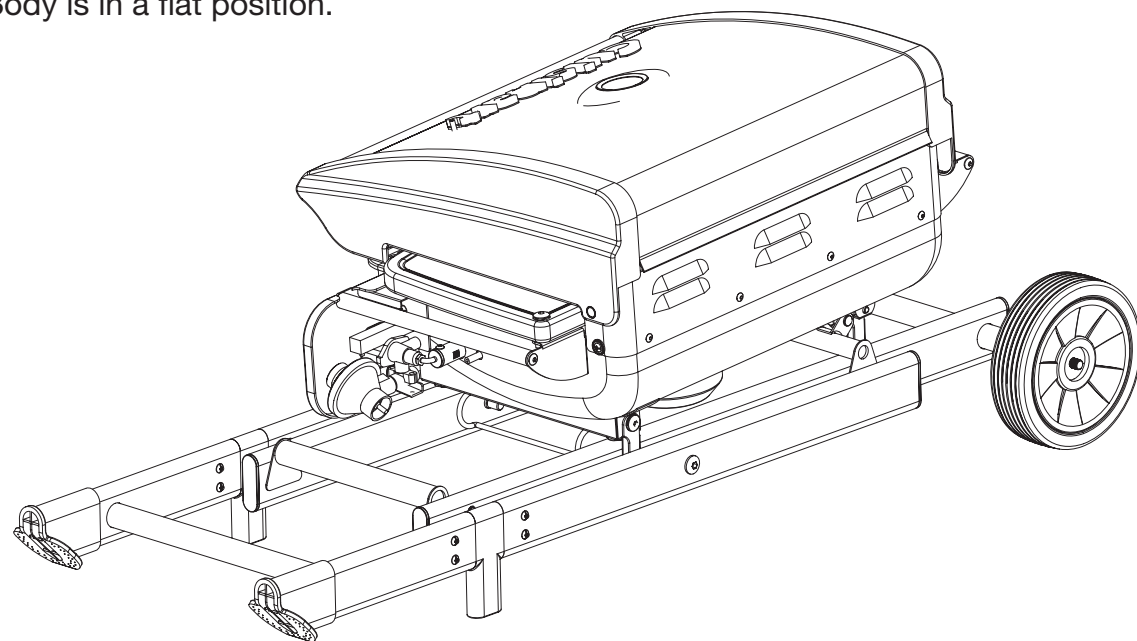
Step 3:

- Stabilize grill by placing foot on right side Bottom Leg Assembly Crossbar (Part L).
- Grab Right Side Handle and carefully lift Grill Body in upward motion so Locking Bar disengages from Handle Assembly.



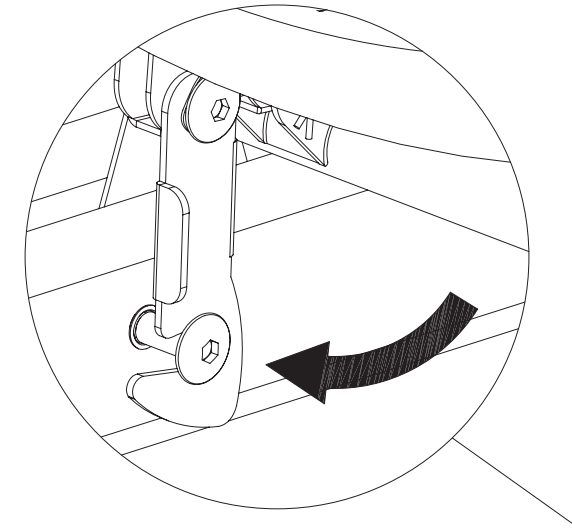
Step 4:

- Once Locking Bar is disengaged, carefully lower the grill, allowing the wheels to slide forward until the Grill Body is in a flat position.



Step 5:

- Lock Left and Right Securing Latches to the Lock Posts located behind the grill.



To return grill to Cooking Position, reverse above steps:

- Unlock Left and Right Securing Latches.
- Grab right side handle and pull up until Locking Bar engages with Handle Assembly.
- Lock Securing Latch on back right side.

5. Operating Your Grill

5.1 Select a proper location

Once you have assembled your new grill, find a suitable location for use.

Note: The use and installation of this product must conform to local codes. In the absence of local codes, use the National Fuel Gas Code: ANSI Z223.1/NFPA54, Storage and Handling of Liquefied Petroleum Gases, ANSI.NFPA 58 or Natural Gas and Propane Installation Code, CSA B149.1; Propane Storage and Handling, CSA B149.2.

⚠ DANGER

1. Never use this outdoor grill inside any building, garage, shed or breezeway, or inside any boat, trailer or recreational vehicle and/or boat, to prevent possible fire and to prevent the possibility of carbon monoxide poisoning or asphyxiation.
2. Always place your grill on a hard and level surface far away from combustible materials and structures.
3. Do not use this grill under overhead combustible surface or covered area (e.g., awnings, umbrellas, porches or gazebos). Keep all combustible surfaces at least 24" (61cm) away.
4. Locate the grill away from any combustible and non-combustible material or construction by at least 24 inches (61cm) from back and 24 inches (61cm) from side. (See the diagram below)
5. Never store or use gasoline or other flammable or volatile substances in the vicinity of this grill or in the vicinity of any other heat-generating appliance, because of the danger of starting a fire.
6. Do not obstructing the flow of combustion and ventilation air.

