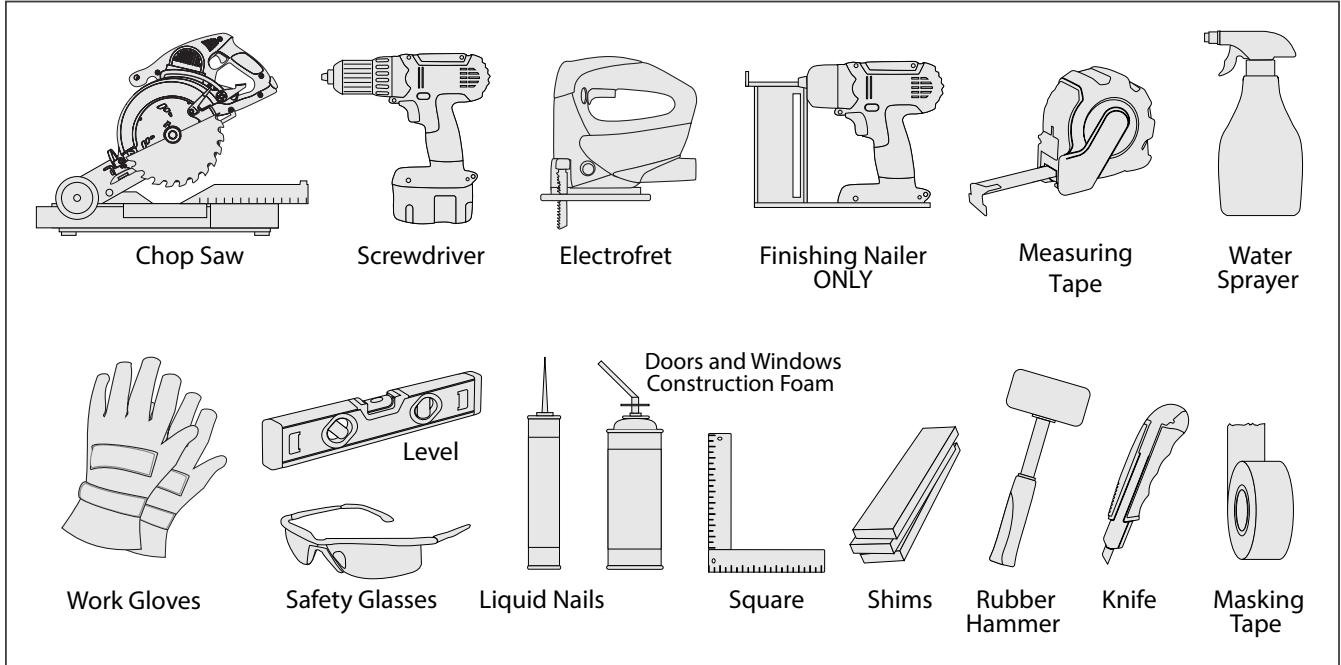
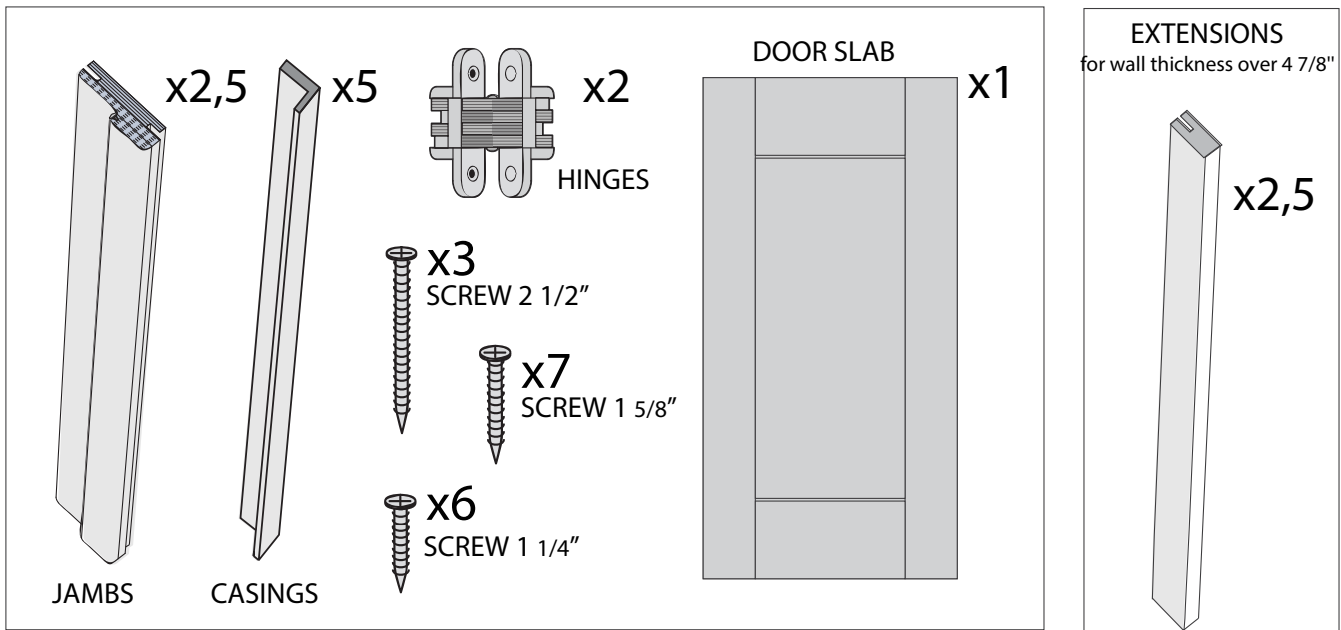


## NECESSARY TOOLS

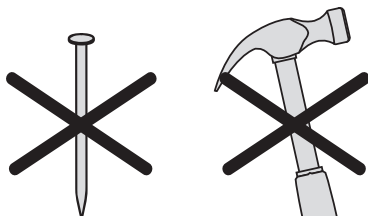


## NECESSARY DOOR PARTS (can vary by unit)

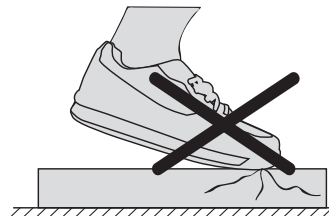


## WARNING!

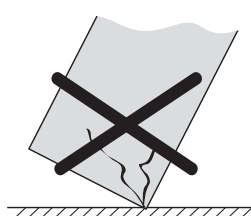
DO NOT USE REGULAR NAILS AND HAMMER



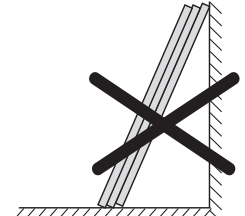
DO NOT STEP ON THE DOOR

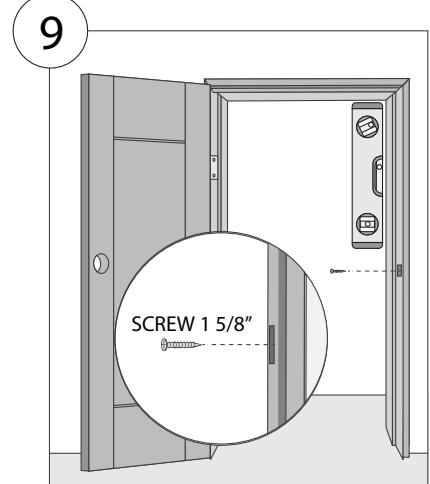
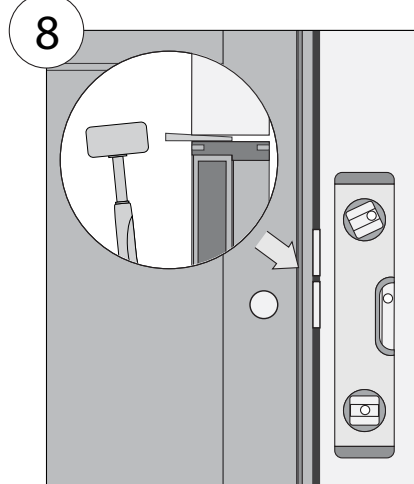
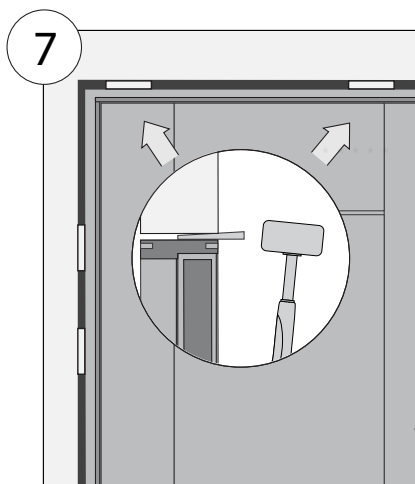
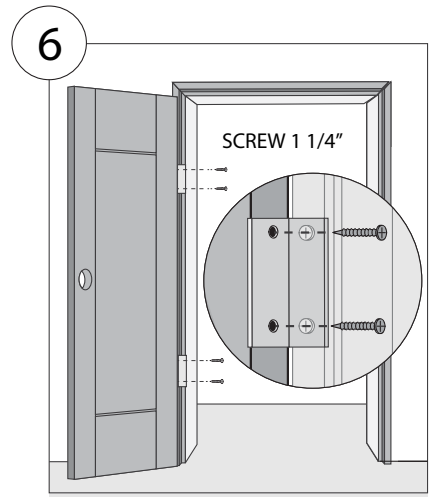
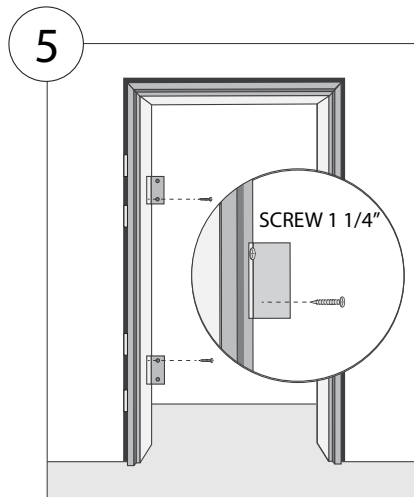
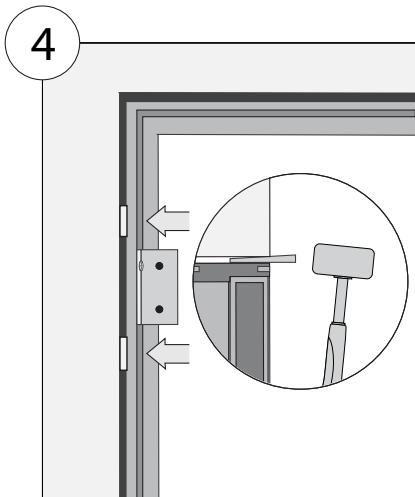
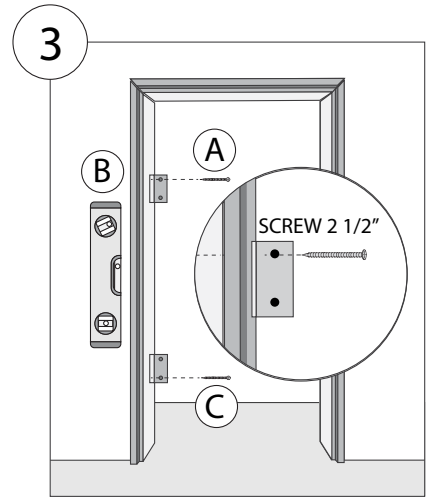
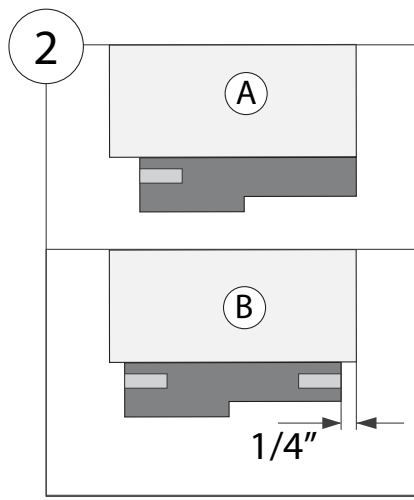
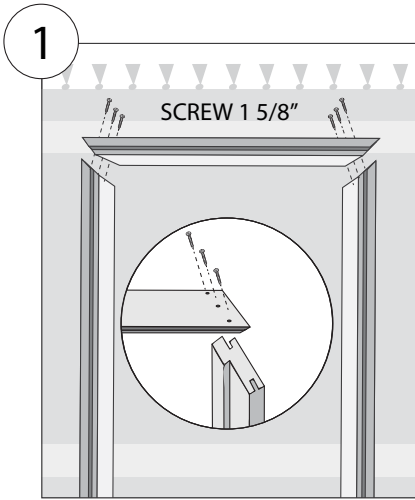


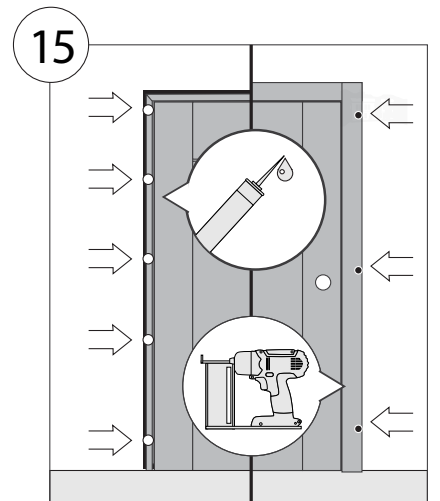
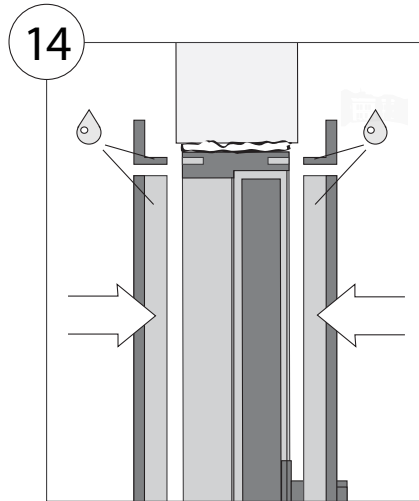
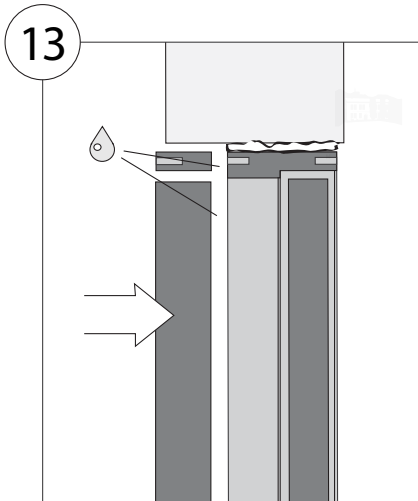
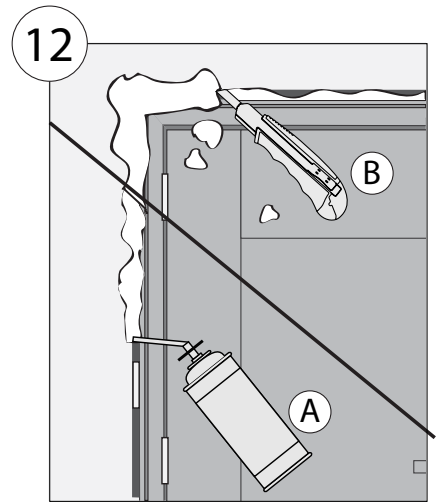
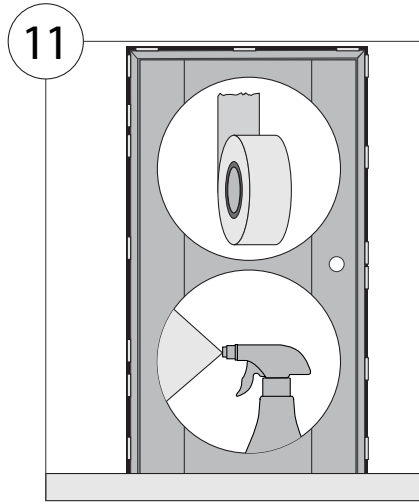
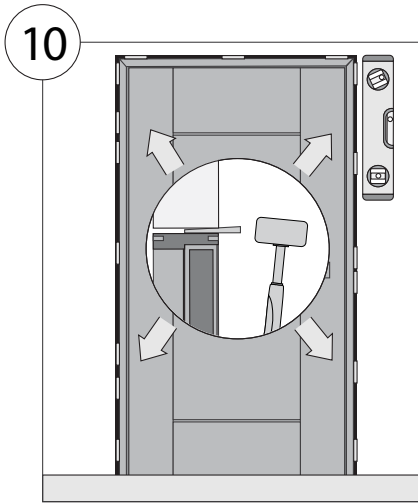
DO NOT LAY DOWN ON EDGES



DO NOT LEAN ON THE WALL







CONGRATULATIONS!