



Job Name _____	Item # _____
Location _____	
Engineer _____	Contractor _____
PO # _____	Tag _____
Representative _____	

1-1/2 IN. WHITE PLASTIC SINK DRAIN S-TRAP TECHNICAL SPECIFICATION

SPECIFICATIONS

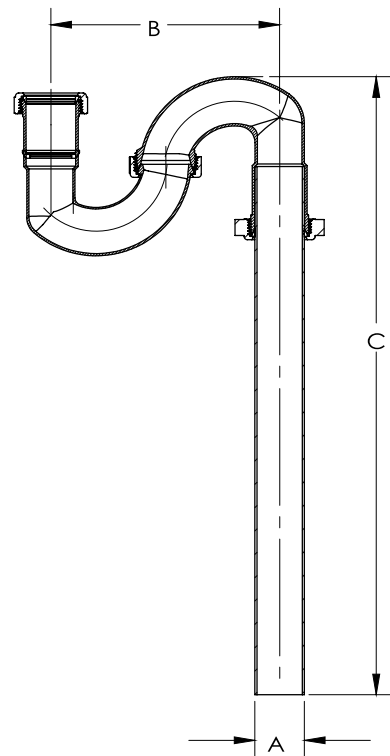
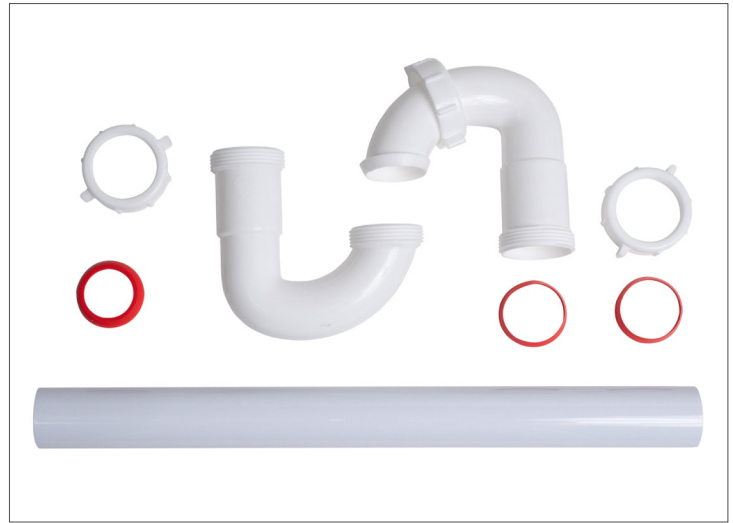
Get plumbing work finished faster and easier with the 1-1/2 in. Plastic S-Trap. Perfect for tubular drain applications, this durable S-Trap is made with white polypropylene plastic and connects to a drain pipe in the floor. Oatey products have earned the trust of plumbing professionals for over 100 years.

DIMENSIONS

[A]:	1.50"
[B]:	7.0"
[C]:	18.5"

PRODUCT SELECTOR

✓	Product Number	Description	Ctn. Wt.	Ctn. Qty.
	HDC9722B	1-1/2 in. White Plastic Sink Drain S-Trap	6.0625 lbs.	10



Access BIM/Revit content through www.oatey.com