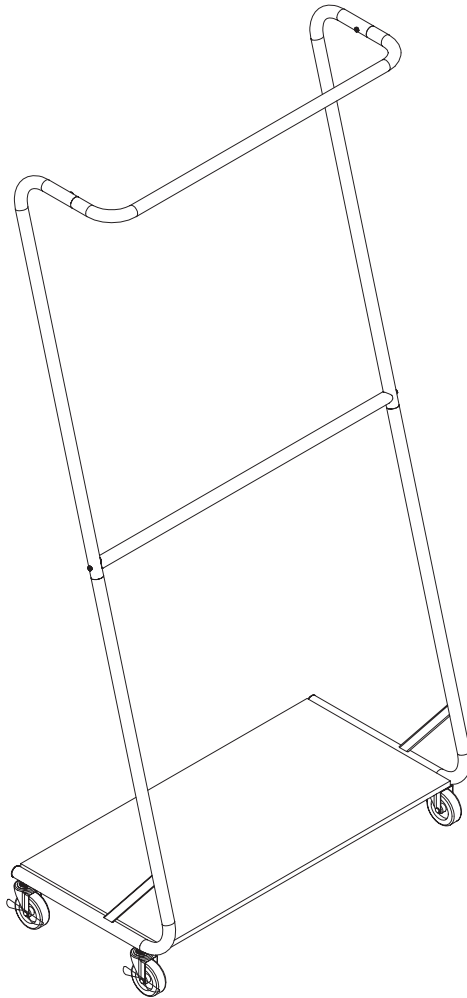






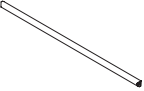


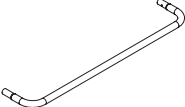
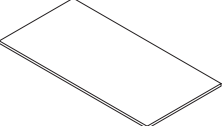
GAR-08158

**rustic garment rack**  
**perchero rústico**  
**porte-vêtement rustique**

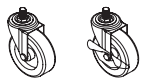


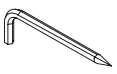
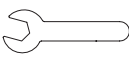


**33.5 in L x 17.32 in W x 71.75 in H**  
**85.09 cm L x 43.99 cm W x 182.24 cm H**

# PARTS LIST

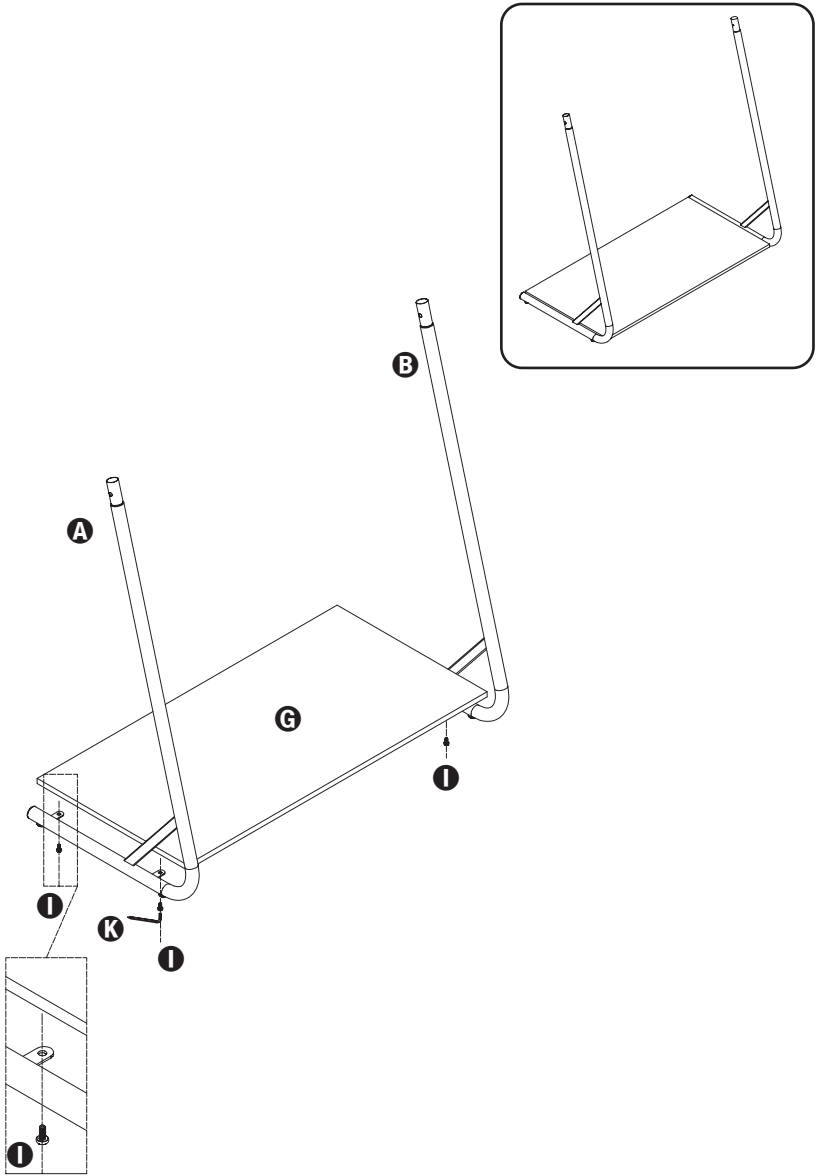
PART/ILLUSTRATION	(QTY)	DESCRIPTION
<b>A</b> -left 	(1)	left frame marco izquierdo cadre gauche
<b>B</b> -right 	(1)	right frame marco derecho cadre de droite
<b>C</b> 	(1)	support bar barra soporte barre support
<b>D</b> -left 	(1)	left upper frame marco izquierdo superior cadre gauche plus haut
<b>E</b> -right 	(1)	right upper frame marco derecho superior cadre droite i plus haut
<b>F</b> 	(1)	top horizontal bar barra horizontal superior barre horizontale haut
<b>G</b> 	(1)	shelf estante étagère

# PARTS LIST

PART/ILLUSTRATION	(QTY)	DESCRIPTION
<p><b>H</b></p>  <p>x2      x2</p> <p>locking cierre verrouillage</p>	<p>( 4 )</p>	<p>castors ruedas roulettes</p>
<p><b>I</b></p> 	<p>( 6 )</p>	<p>short bolts pernos cortos boulons courts</p>
<p><b>J</b></p> 	<p>( 2 )</p>	<p>long bolts pernos largos longs boulons</p>
<p><b>K</b></p> 	<p>( 1 )</p>	<p>hex wrench llave hexagonal clé hexagonale</p>
<p><b>L</b></p> 	<p>( 1 )</p>	<p>wrench llave clé</p>

# ASSEMBLY

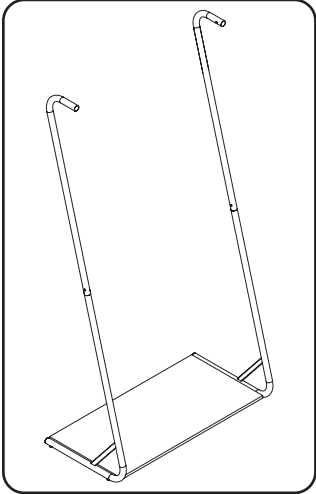
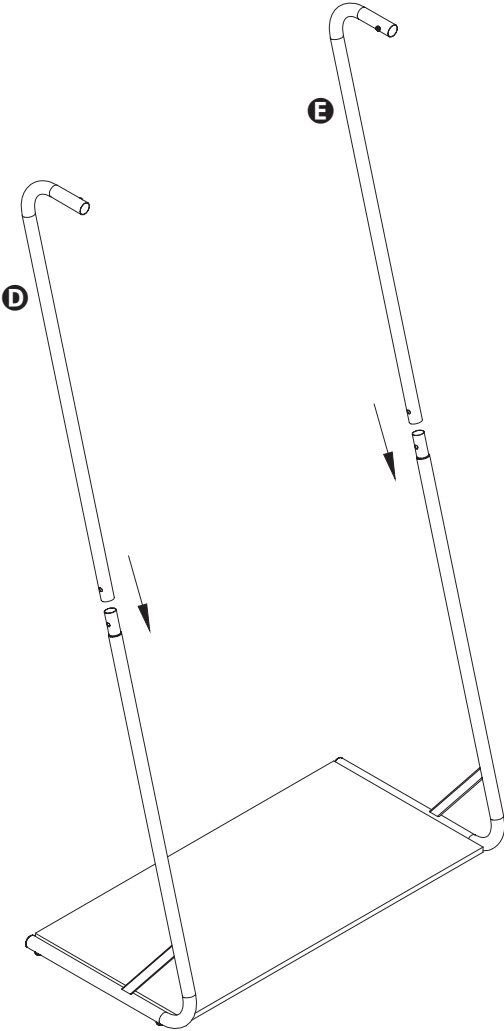
1



Do not tighten the screws fully until you are finished!

# ASSEMBLY

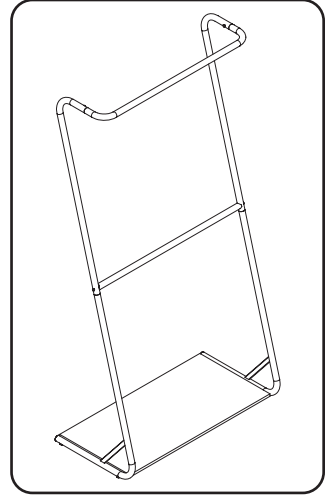
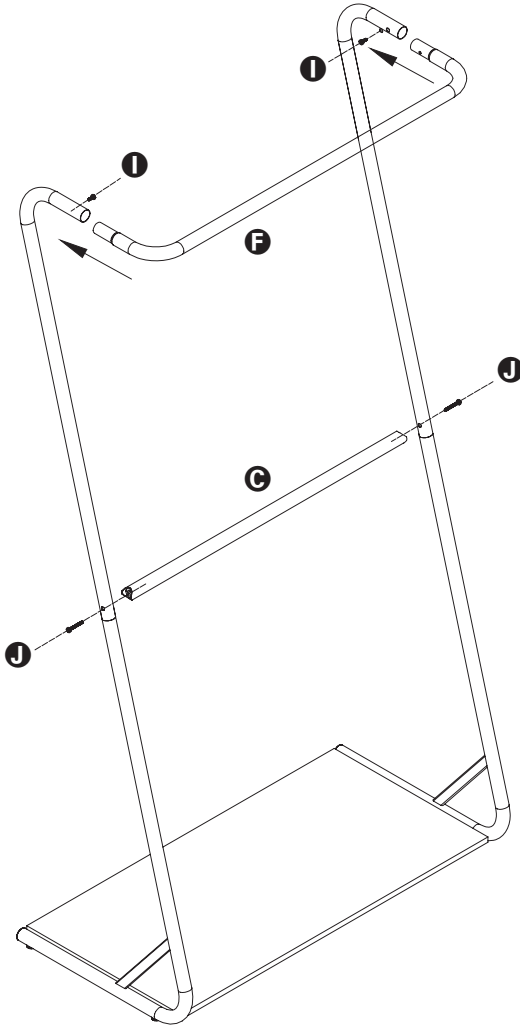
2



Do not tighten the screws fully until you are finished!

# ASSEMBLY

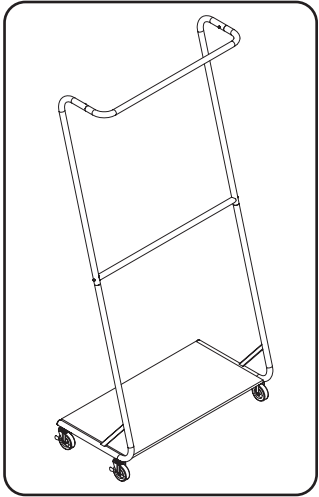
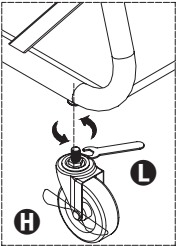
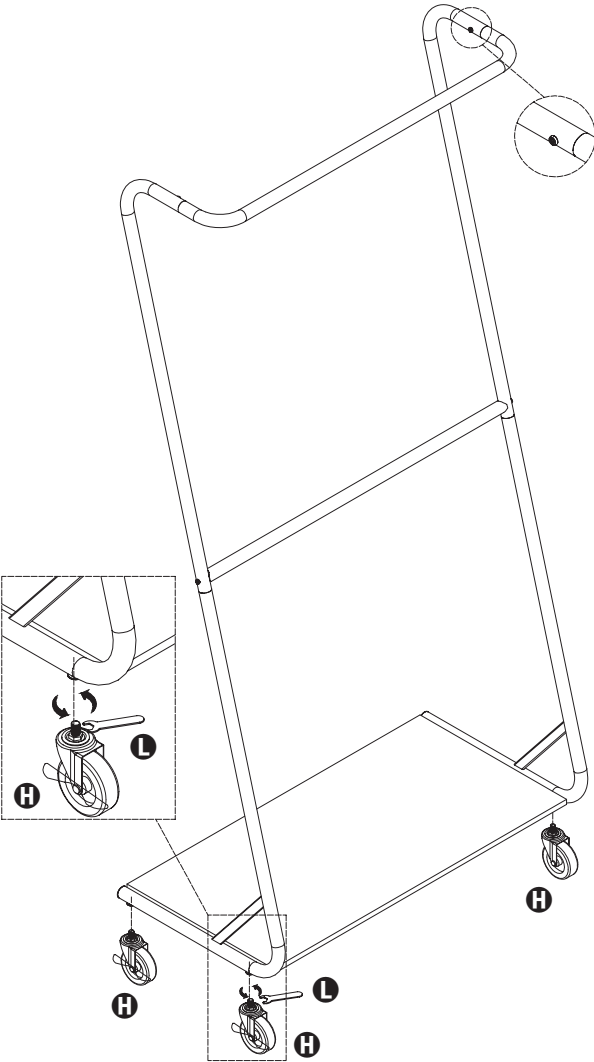
3



Do not tighten the screws fully until you are finished!

# ASSEMBLY

4





YOUR SOURCE FOR  
ORGANIZATION,  
STORAGE & STYLE

**Honey-Can-Do International**

5300 St. Charles Road, Berkeley, IL 60163 USA  
877.242.2636 | [honeycando.com](http://honeycando.com) | [customerservice@honeycando.com](mailto:customerservice@honeycando.com)  
©2020 Honey-Can-Do International, LLC | All Rights Reserved

Visit [youtube.com/myhoneycando](https://www.youtube.com/myhoneycando) to watch our assembly videos.