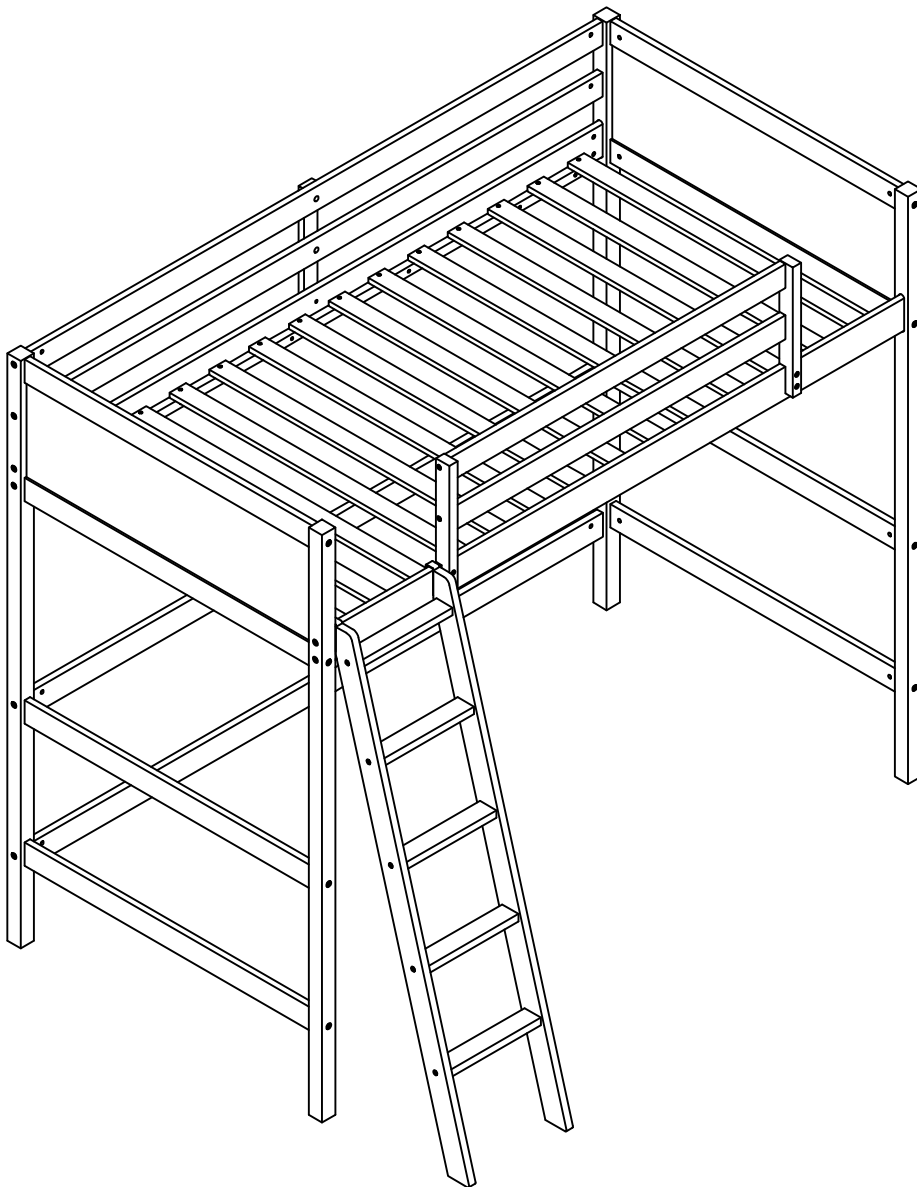


ASSEMBLY INSTRUCTIONS

LOFT BED WITH STAIR



WF292330



SAFETY WARNING



1. This bed is designed for use only mattress (es) meeting the following specifications on the upper bunk, and lower bunk:

Down bed

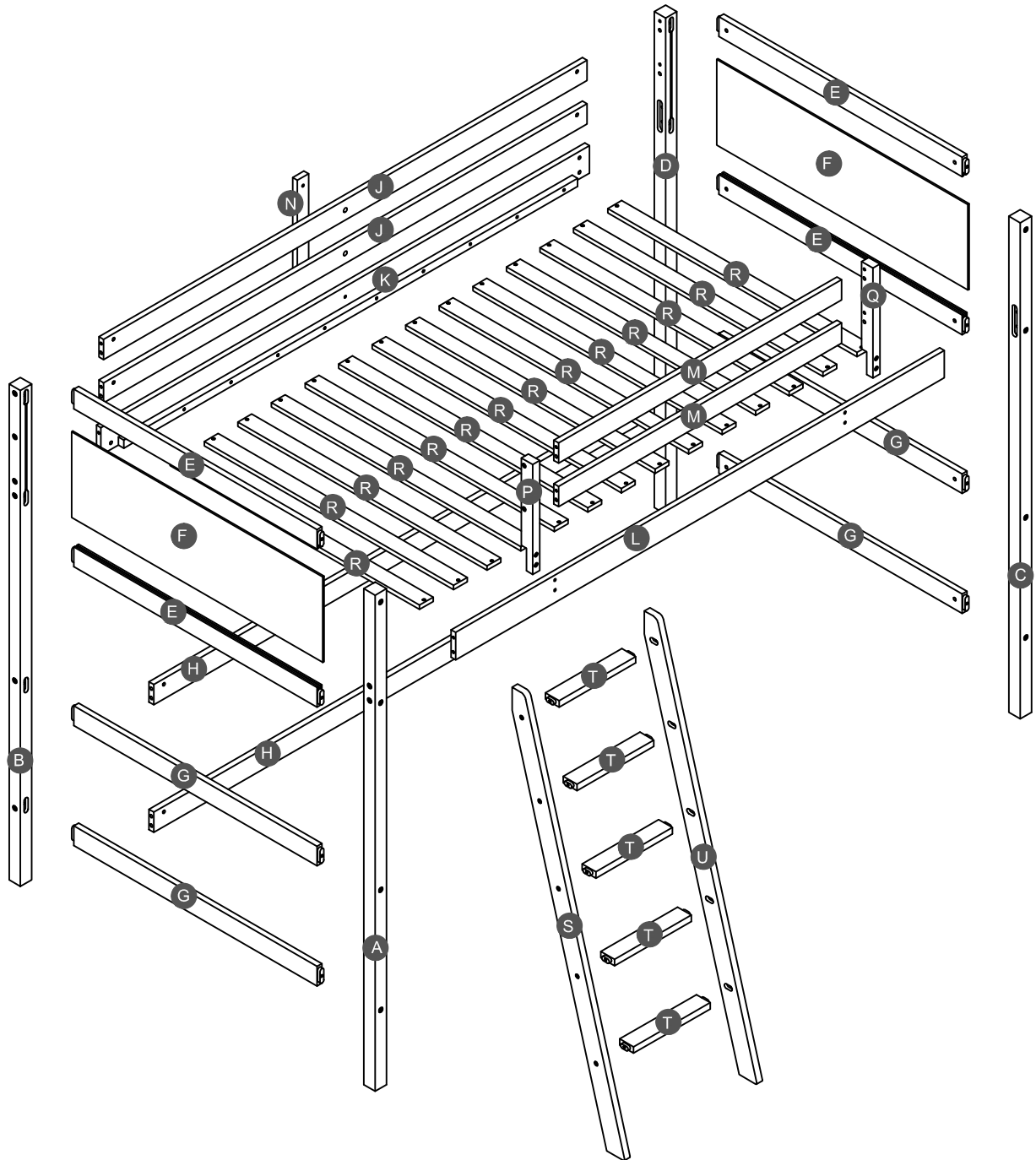
Bed type	Length	Width	Thickness
Twin Standard	74"-75"	38 1/2"	8"

Up bed (Bunk bed and tribed included)

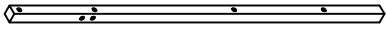

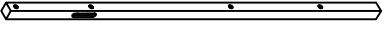
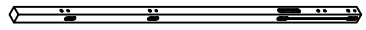
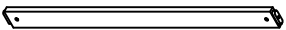

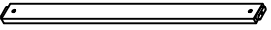



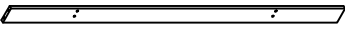
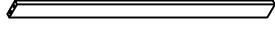

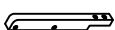

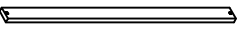
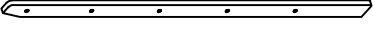
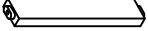
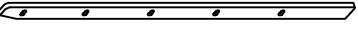
Bed type	Length	Width	Thickness
Twin Standard	74"-75"	38 1/2"	6" max

2. Replacement parts, including additional guardrails, maybe obtained from any of our (GIGACLOUD TECHNOLOGY (USA) INC . 18961 ARENTH AVENUE, CITY OF INDUSTRY , CA, 91748.) dealers
3. Follow the information on the warnings appearing on the upper bunk bed end structure and on the carton. Do not remove warning label from bed.
4. Always use the recommended size mattresses or mattress supports, or both, to help prevent the likelihood of entrapment or falls.
5. Surface of mattress must be at least 5" (127mm) below the upper edge of guardrails.
6. Do not allow children under 6 years of age to use the upper bunk.
7. Periodically check and ensure that the guardrail, ladder, and other components are in their proper position, free from damage, and that all connectors are tight.
8. Do not allow horseplay on or under the bed and prohibit jumping on the bed.
9. Always use the ladder for entering and leaving the upper bunk.
10. Do not use substitute part. Contact the manufacture or dealer for replacement part.
11. Use of a night light may provide added safety precaution for a child using the upper bunk.
12. Always use guardrails on both long sides of the upper bunk. If the bunk bed will be placed next to the wall, the guardrail that runs the full length of the bed should be placed against the wall to prevent entrapment between the bed and wall.
13. The use of water or sleep flotation mattresses is prohibited.
14. STRANGULATION HAZARD - Never attach or hang items to any part of the bunk bed that are not designed for use with the bed; for example, but not limited to, hook, belts and jump ropes.
15. Keep these instruction for future reference.
16. Prohibit more than one person on upper bunk
17. We recommend assembling your bunk bed on the shipping carton to protect your floor or carpet.
18. Be certain all staples are out of the box before beginning assembly on the shipping carton.

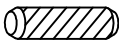

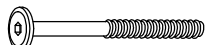






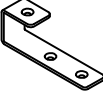



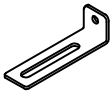

Detail View



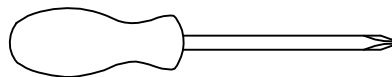
Part List

<p>A</p>  <p>Leg (Left Front) - 1pc</p>	<p>B</p>  <p>Leg (Left Back) - 1pc</p>	<p>C</p>  <p>Leg (Right Front)- 1pc</p>
<p>D</p>  <p>Leg (Right Back) - 1pc</p>	<p>E</p>  <p>Horizontal bar HB/FB - 4pcs</p>	<p>F</p>  <p>Side panel HB/FB - 2pcs</p>
<p>G</p>  <p>Horizontal bar HB/FB - 4pcs</p>	<p>H</p>  <p>Horizontal bar - 2pcs</p>	<p>J</p>  <p>Long guard rail (Back) - 2pcs</p>
<p>K</p>  <p>Side rail (Back) - 1pc</p>	<p>L</p>  <p>Side rail (Front) - 1pc</p>	<p>M</p>  <p>Short guard rail (Front) - 2pcs</p>
<p>N</p>  <p>Vertical guard rail - 1pc</p>	<p>P</p>  <p>Support guard rail(Left) - 1pc</p>	<p>Q</p>  <p>Support guard rail(Right) - 1pc</p>
<p>R</p>  <p>Slats - 14pcs</p>	<p>S</p>  <p>Long ladder (left) - 1pc</p>	<p>T</p>  <p>Step ladder - 5pcs</p>
<p>U</p>  <p>Long ladder (right) - 1pc</p>		

Hardware List

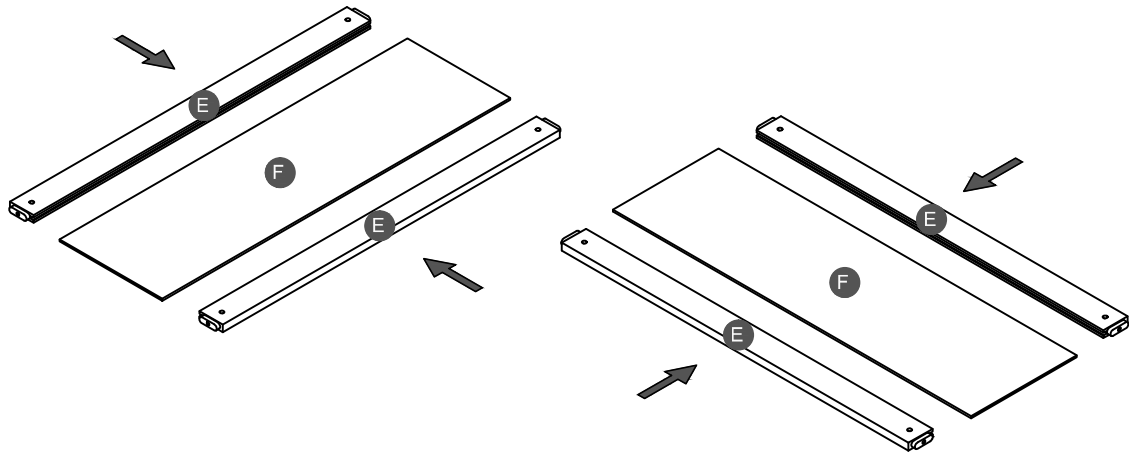
1  Ø10*40mm Wood dowel (12pcs)	2  (Ø15)1/4"*100mm Hex-Head bolts (16pcs)	3  (Ø15)1/4"*80mm Hex-Head bolts (20pcs)
4  (Ø12)1/4"*60mm Hex-Head bolts (10pcs)	5  (Ø12)1/4"*35mm Hex-Head bolts (4pcs)	6  (Ø12)1/4"*30mm Hex-Head bolts (3pcs)
7  1/4"*15 (9.5mm) Horizontal-Hole bolts (46pcs)	8  Ø4*30mm Wood screws (28pcs)	9  (1/4")4.5*58mm Allen key (1pc)
10  81*26*21*(2.5mm) Hooks (2pcs)	11  Ø4*19mm Wood screws (6pcs)	12  Ø4*38mm Wood screws (2pcs)
13  Ø9*32mm Plastic anchor (2pcs)	14  58*16*16*(1.5mm) Metal bracket (2pcs)	15  Ø4*25mm Wood screws (4pcs)

ASSEMBLY TOOLS REQUIRED (NOT INCLUDED)





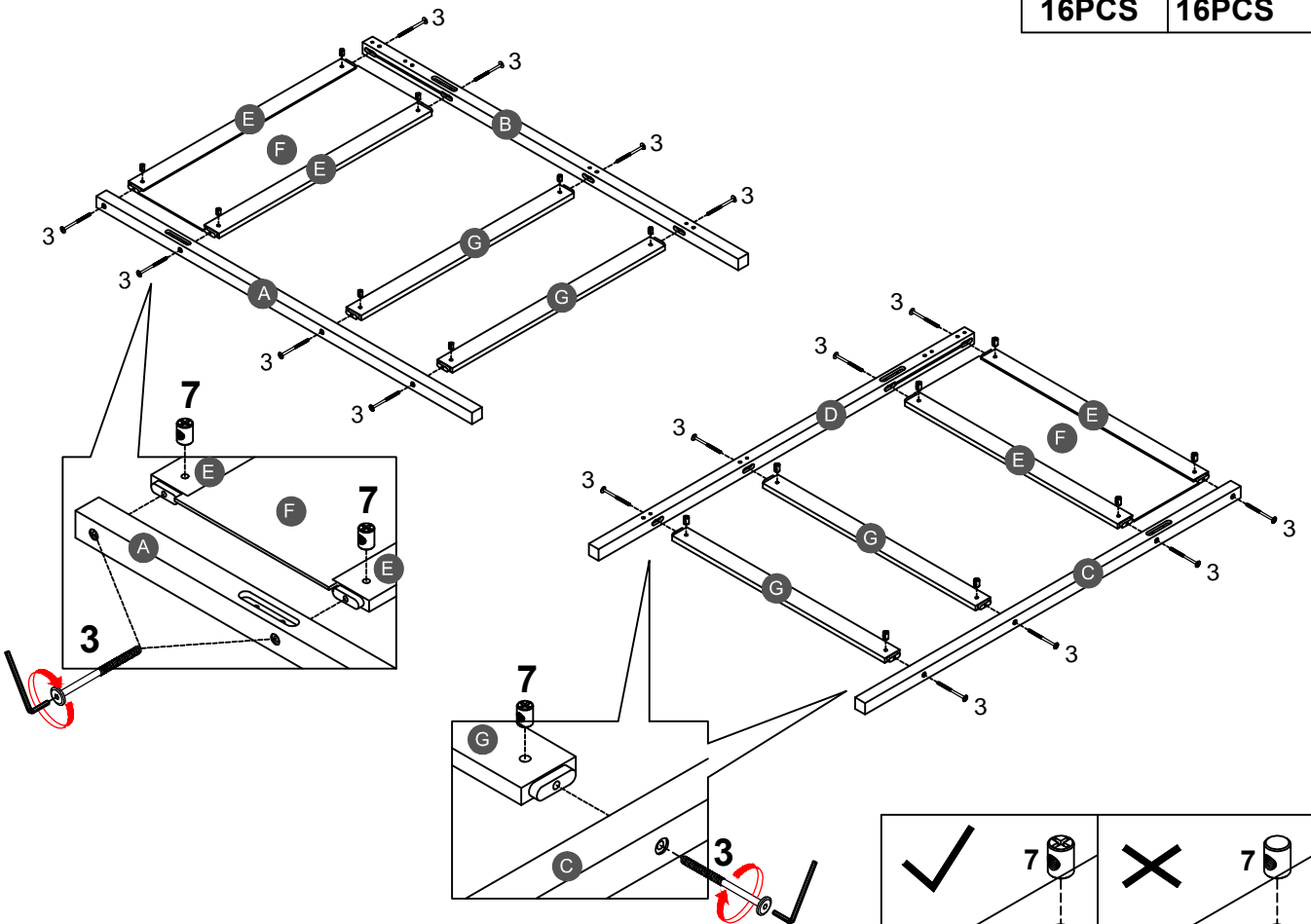
PLEASE BE CAREFUL DO NOT DAMAGE THE HOLE POSITION WHEN YOU USE POWER TOOLS !

STEP 1:






STEP 2:

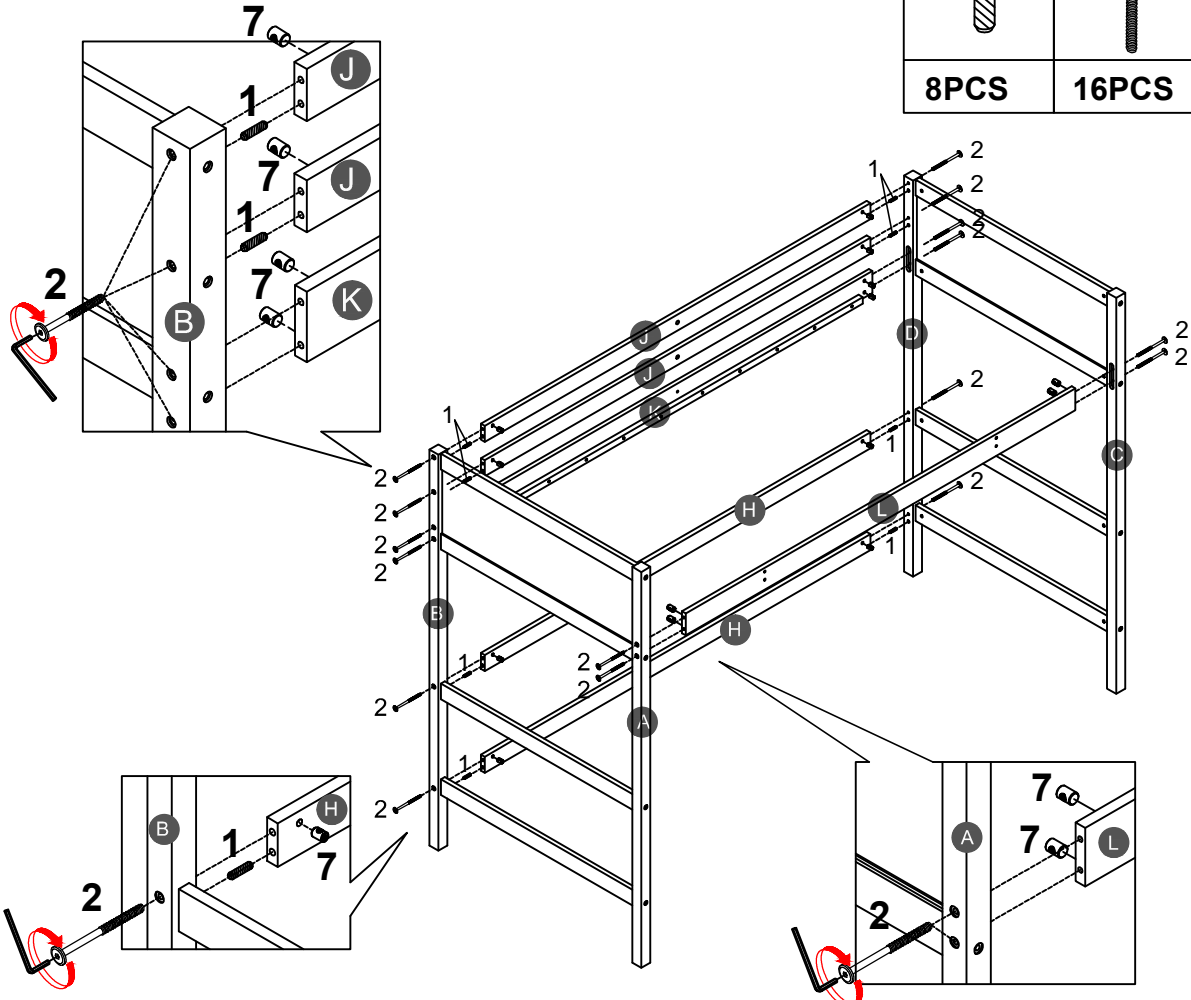
3	7
	
16PCS	16PCS




Note: Part 7 will face up with the "x" mark on it, otherwise it cannot be tightened

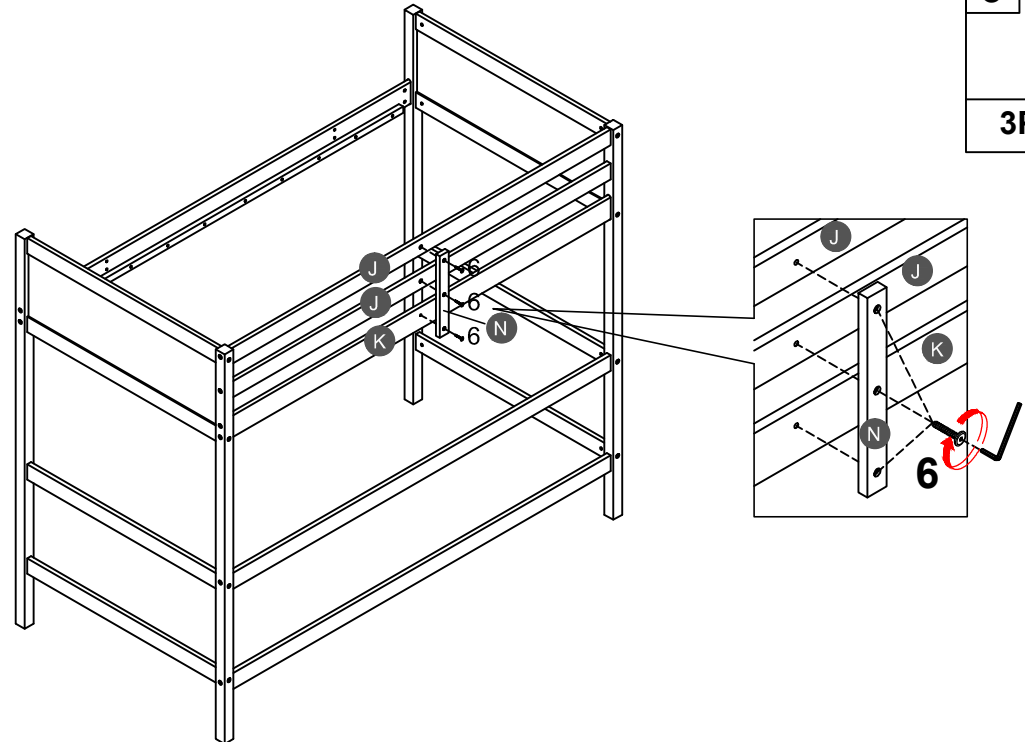
STEP 3:

1		2		7	
8PCS		16PCS		16PCS	

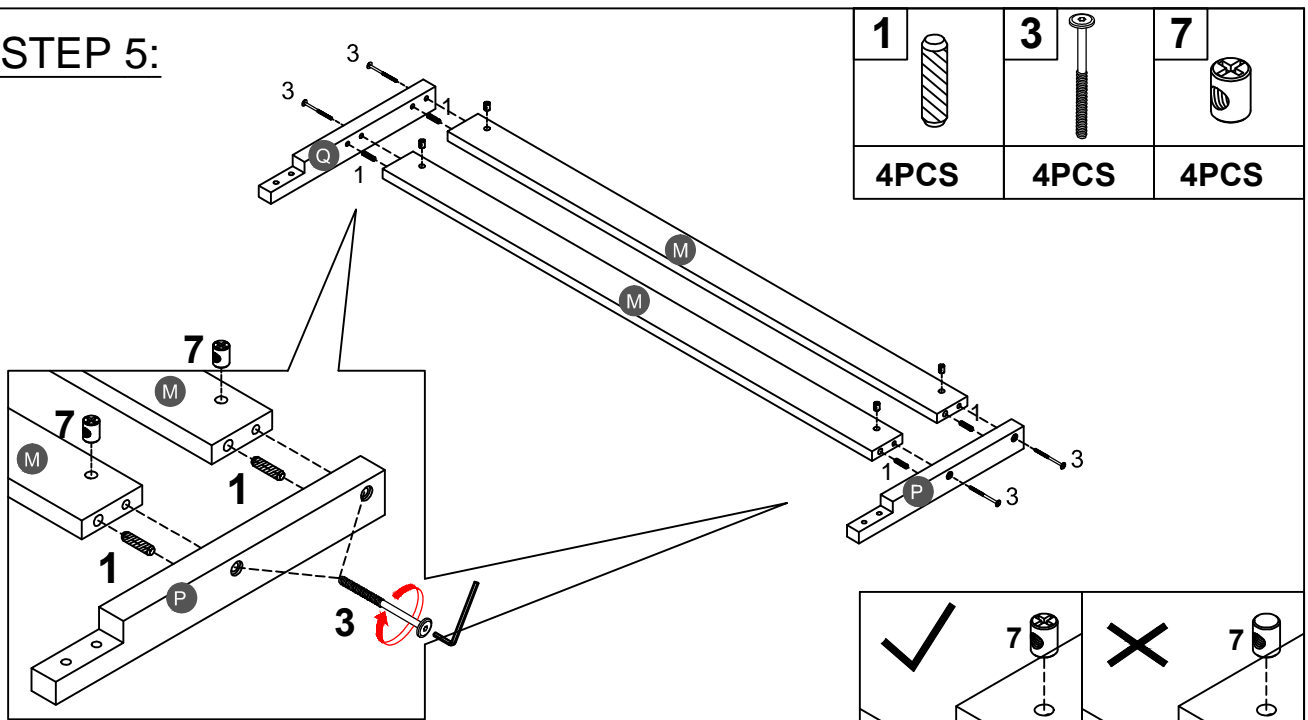





STEP 4:

6	
3PCS	



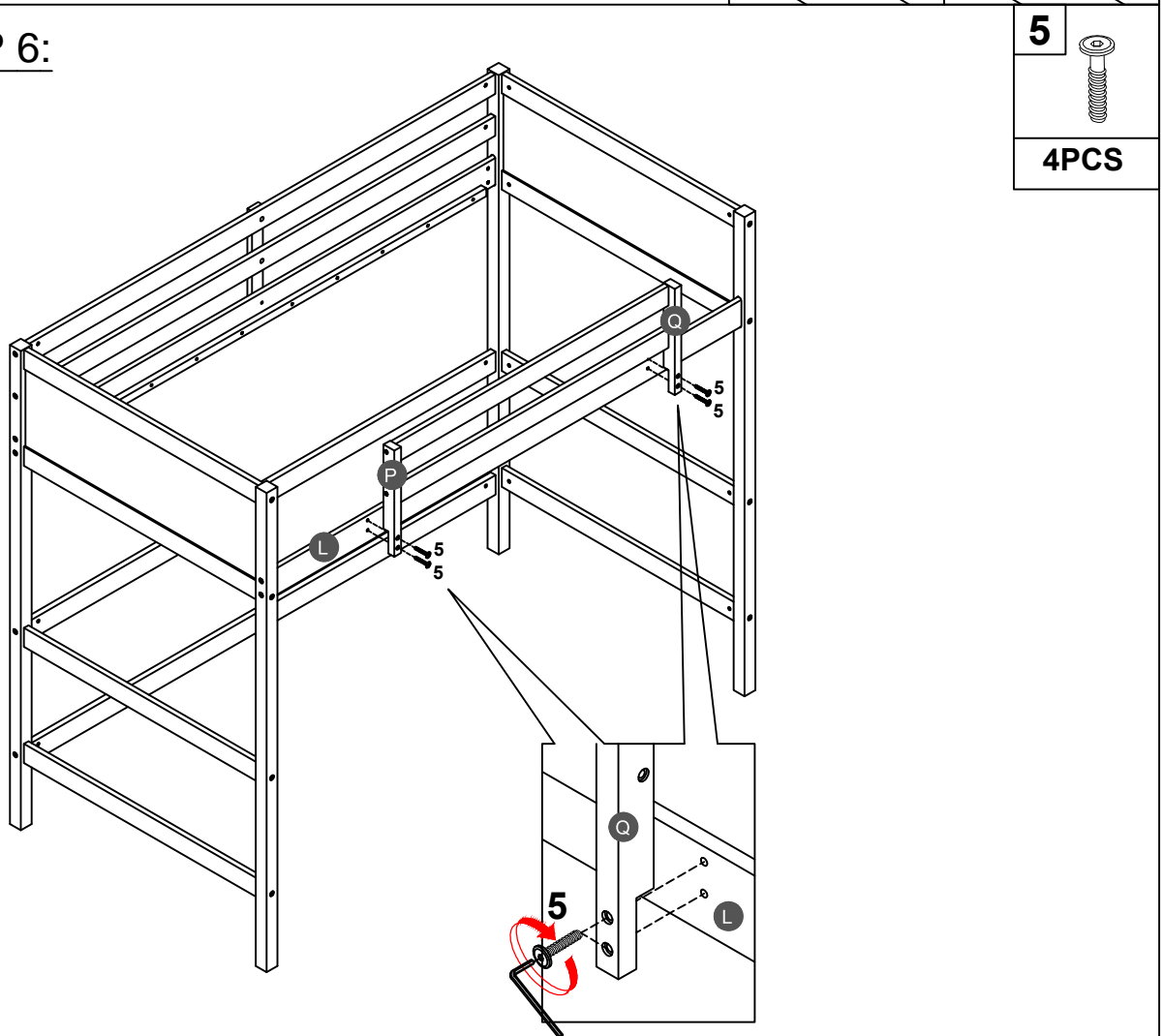
STEP 5:

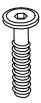


1		3		7	
4PCS		4PCS		4PCS	



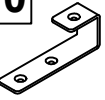

Note: Part 7 will face up with the "x" mark on it, otherwise it cannot be tightened

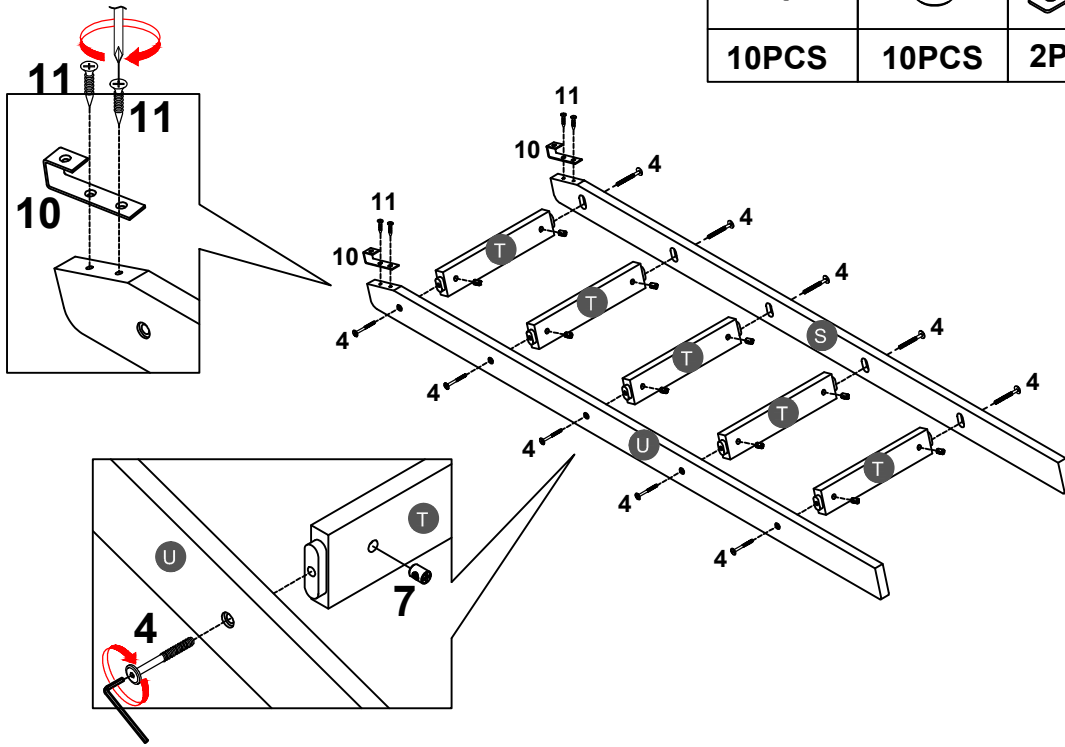
STEP 6:




5	
4PCS	

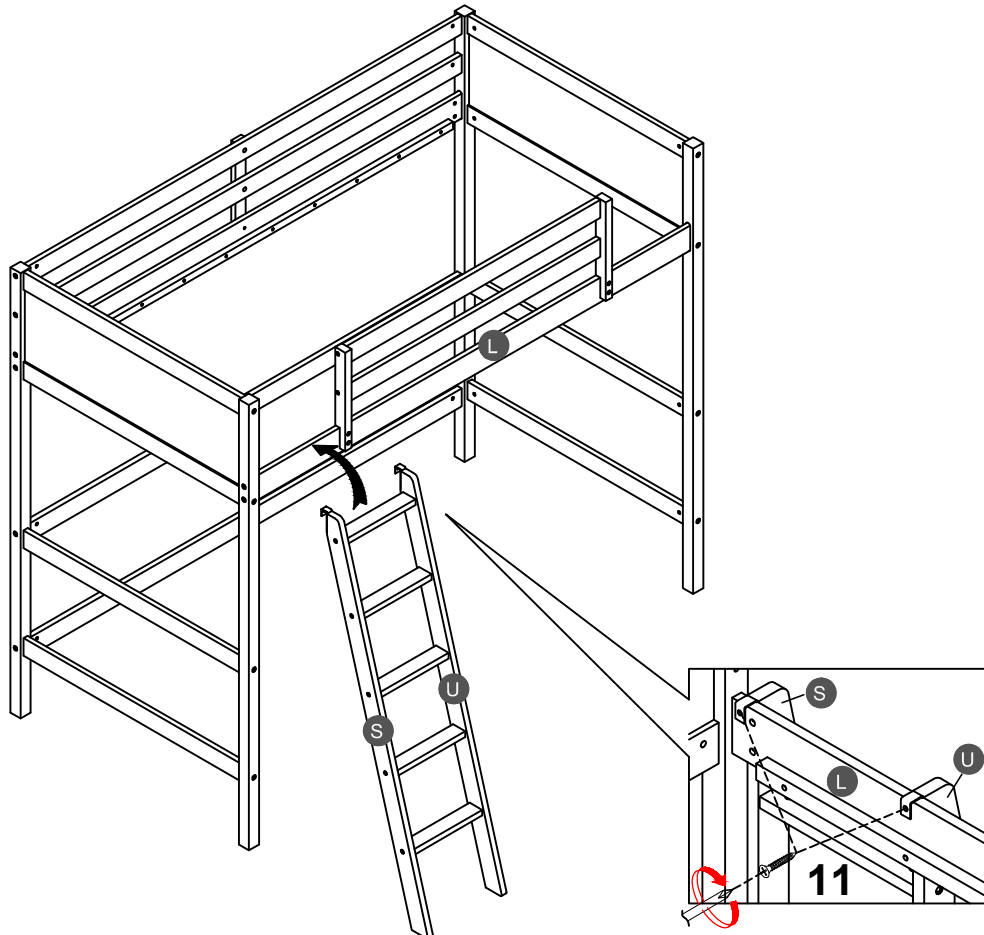
STEP 7:

4		7		10		11	
10PCS		10PCS		2PCS		4PCS	



STEP 8:

11	
2PCS	

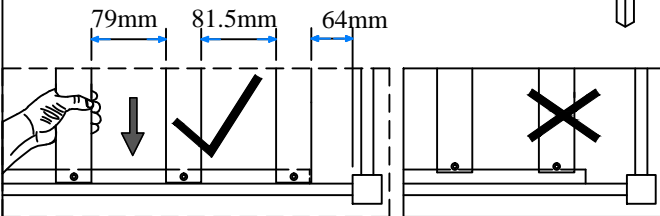
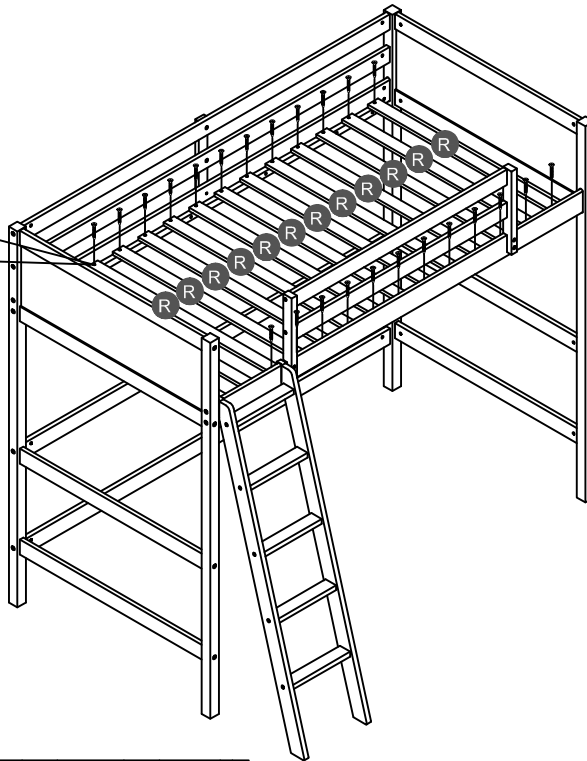
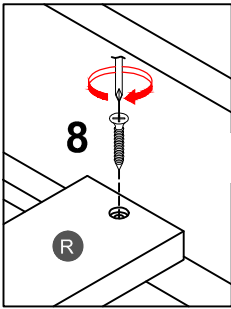


STEP 9:

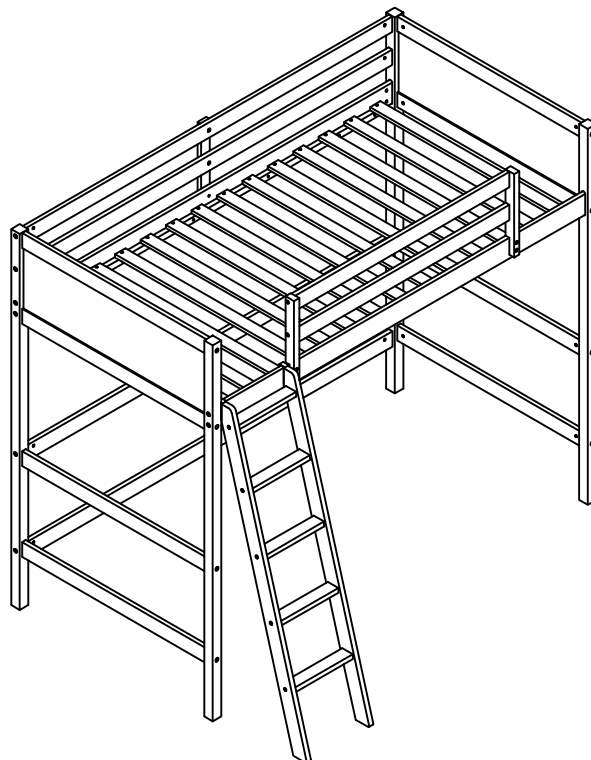
8



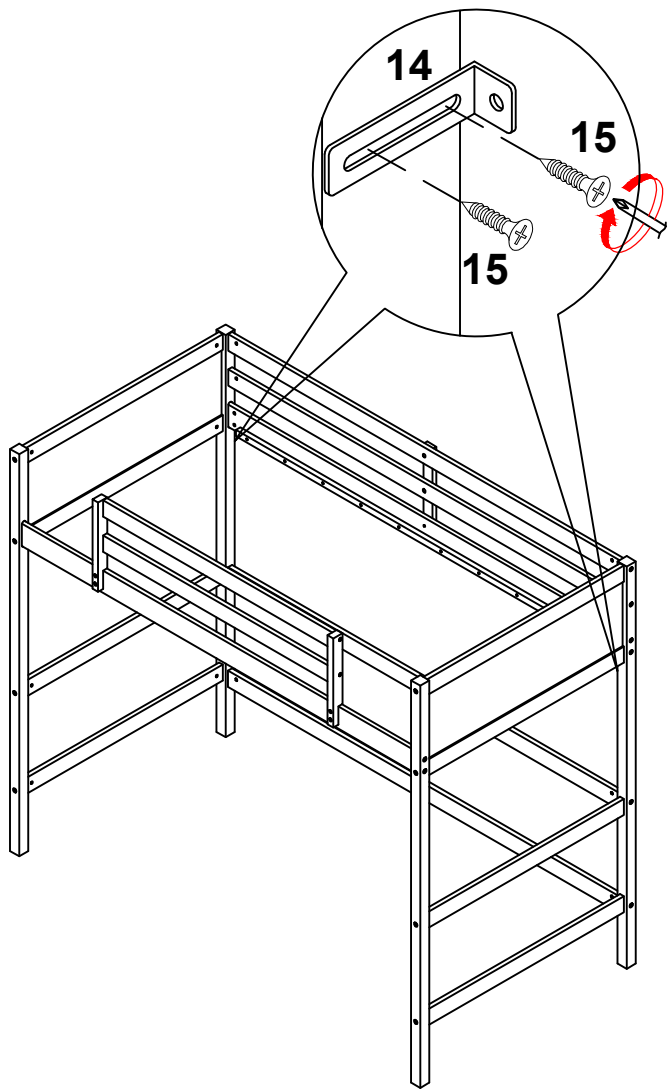
28PCS





Note: Do not lock the screws of the bed slats to the outermost edge of the bed slats, you need to leave a certain space at the edges, otherwise it will cause the board to break. Do not lock the bed slats on the edge of the wood, please hold firmly before screwing, hold it in place with one hand, then lock the screw.

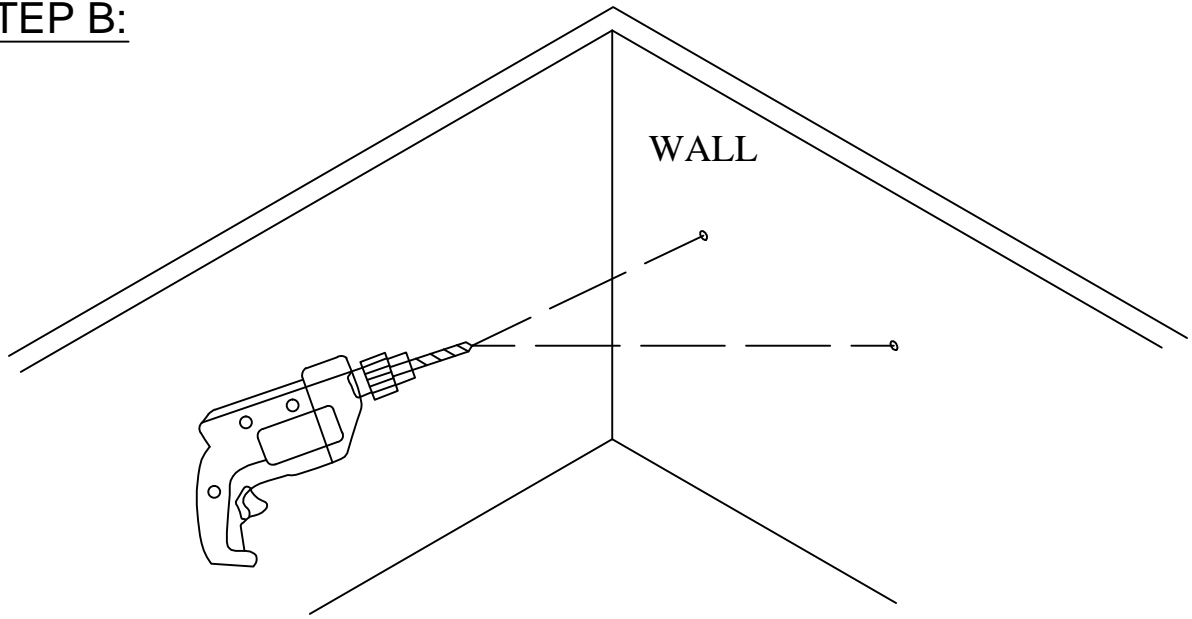


STEP A:

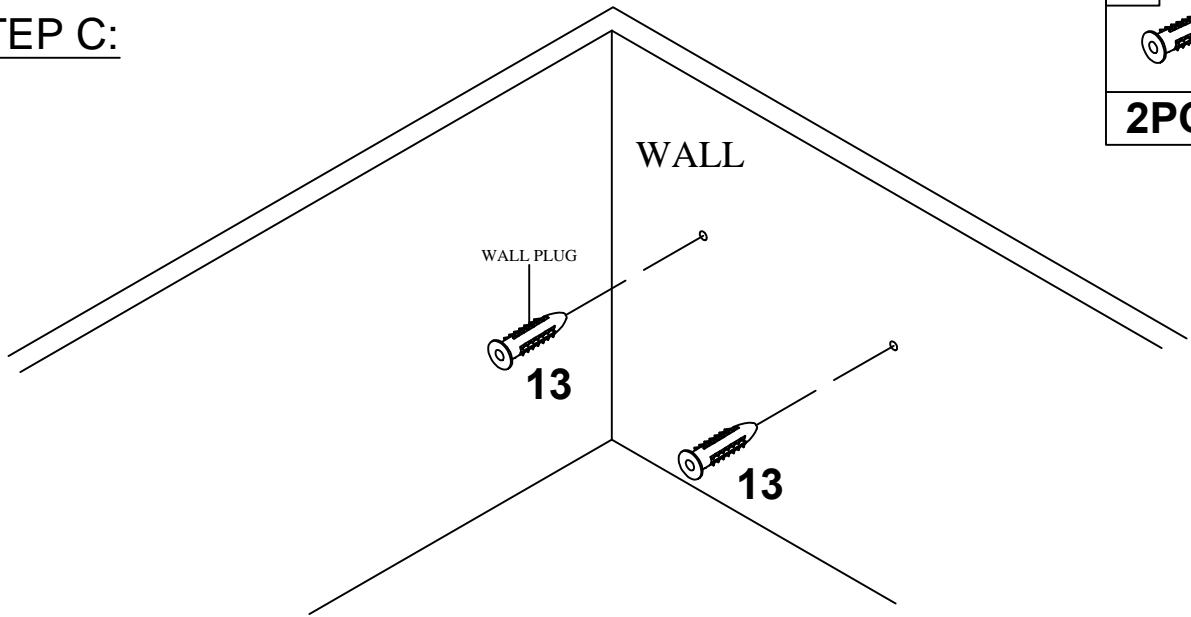


14	15
	
2PCS	4PCS

STEP B:



STEP C:

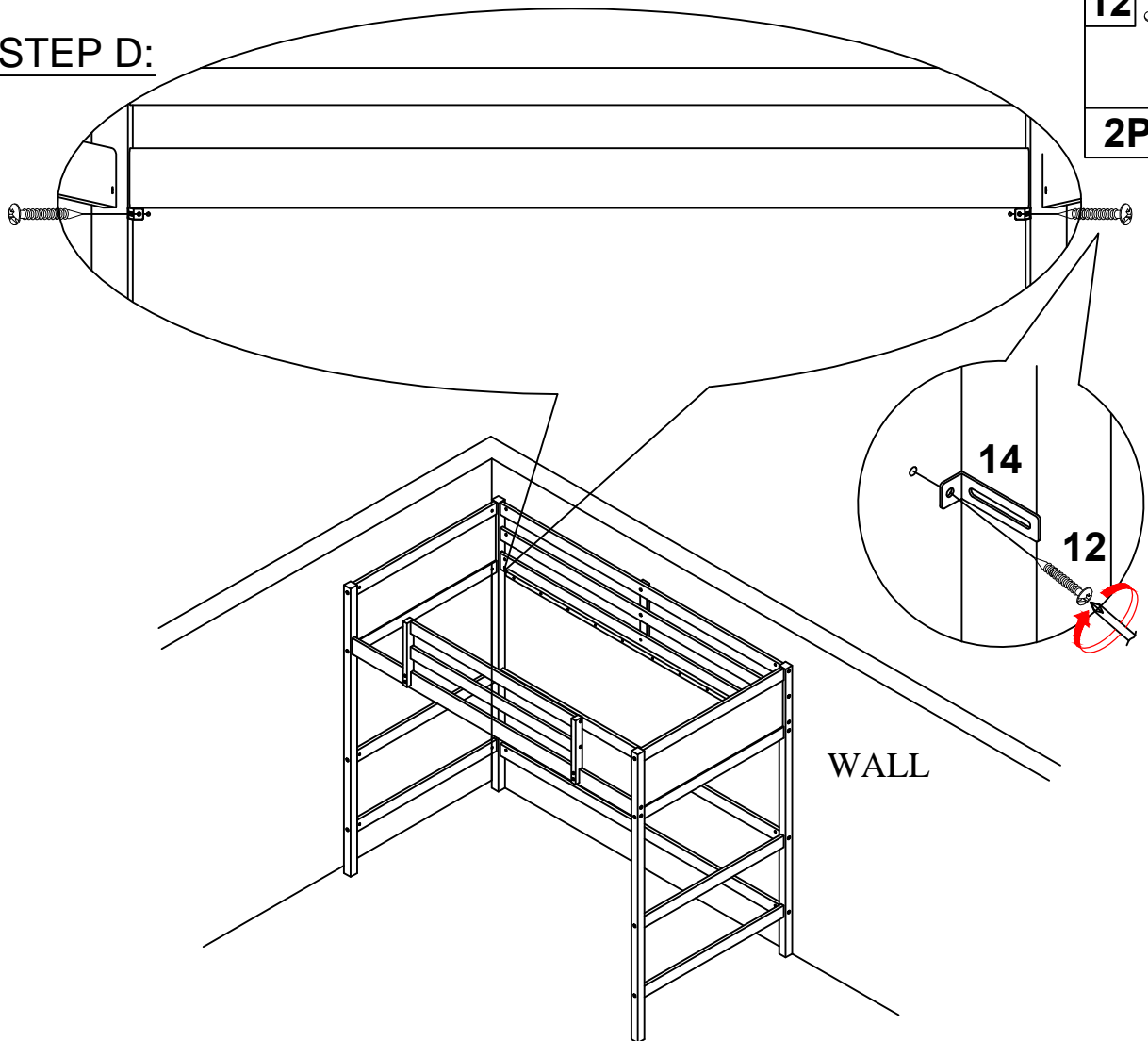


13



2PCS

STEP D:



12



2PCS

14

12