

## ASSEMBLY

### INSTALLING THE CUTTING HEAD SHIELD



**WARNING:** To prevent serious personal injury, never operate the unit without the cutting head shield in place.

1. Remove the wing nut and washer from the cutting head shield.
2. Insert the short tab (the one without a hole) on the mount bracket into the slot on the cutting head shield (Fig. 1).
3. Rotate the cutting head shield counterclockwise to align the hole on the cutting head shield with the hole on the mount bracket (Fig. 1).
4. Insert the square bolt into the hole underneath the cutting head shield (Fig. 2). Push the square bolt through the cutting head shield and mount bracket.
5. Place the washer onto the square bolt (Fig. 2).
6. Screw the wing nut onto the square bolt until the cutting head shield is firmly in place (Fig. 2).

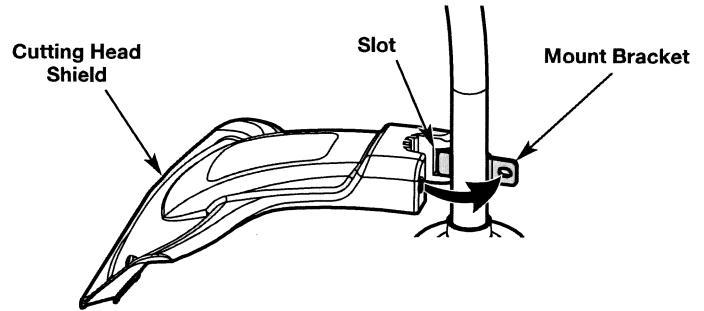


Fig. 1

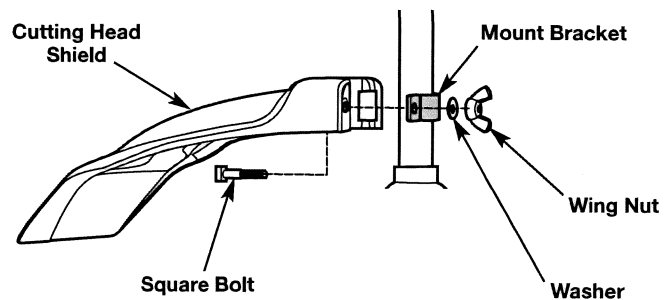


Fig. 2

### CONNECTING THE UPPER AND LOWER SHAFTS

1. Set the unit on a flat, level surface.
  2. Turn the upper portion of the unit upside down. The holes on the coupler should face up (Fig. 3).
  3. Turn the lower portion of the unit upside down. The holes on the lower shaft housing should face up (Fig. 3).
  4. Push the lower shaft housing into the coupler (Fig. 3). The holes on the lower shaft housing should align with the holes on the coupler (Fig. 4).
- IF...** the lower shaft housing does not enter the coupler completely and the holes do not align, remove the lower shaft housing, rotate the cutting head slightly (1/8th turn) and repeat step 4 (Fig. 5).
5. Insert the screws (x2) into the aligned holes (Fig. 4).
  6. Tighten the screws securely with a #2 Phillips screwdriver.

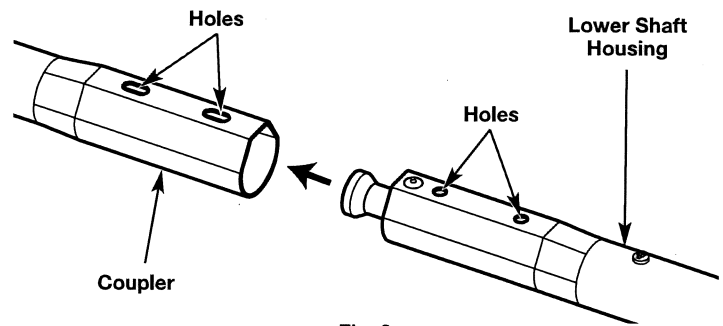


Fig. 3

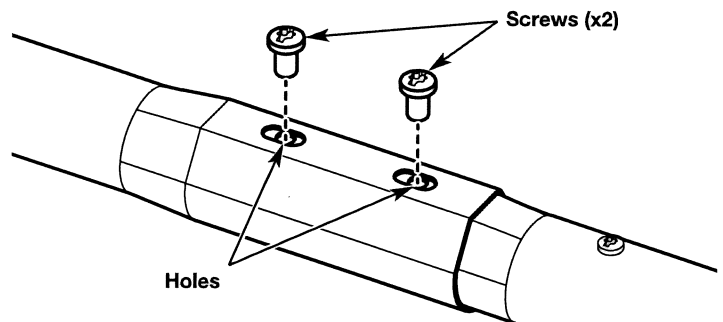


Fig. 4



**WARNING:** To prevent serious personal injury or damage to the unit, always make sure that the screws are securely tightened before each use.

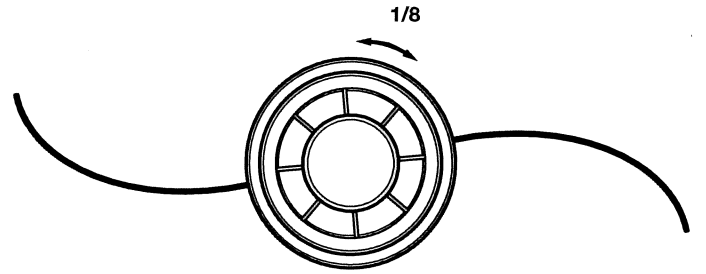


Fig. 5

## INSTALLING AND ADJUSTING THE HANDLE

### Installing the Handle

1. Push the handle down onto the upper shaft housing (Fig. 6). Make sure the hex bolt hole faces to the left (Fig. 6).
2. Insert the bolt into the hex bolt hole and push it through (Fig. 7). Place the washer onto the bolt (Fig. 7). Screw the wing nut onto the bolt, but do not tighten the wing nut completely (Fig. 7).
3. Hold the unit in the operating position (Fig. 12). Move the handle up or down the upper shaft housing to a comfortable location (Fig. 7). Make sure the handle is positioned beyond the end of the safety label (Fig. 7).
4. Tighten the wing nut until the handle is secure.

### Adjusting the Handle

If the handle requires adjustment:

1. Loosen the wing nut (Fig. 7).
2. Hold the unit in the operating position (Fig. 12). Move the handle up or down the upper shaft housing to a comfortable location (Fig. 7). Make sure the handle is positioned beyond the end of the safety label (Fig. 7).
3. Tighten the wing nut until the handle is secure.

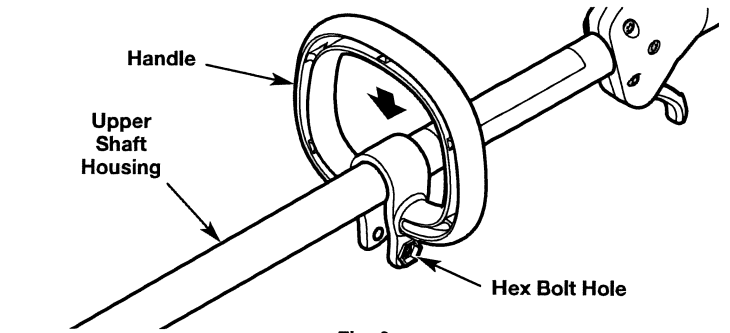


Fig. 6

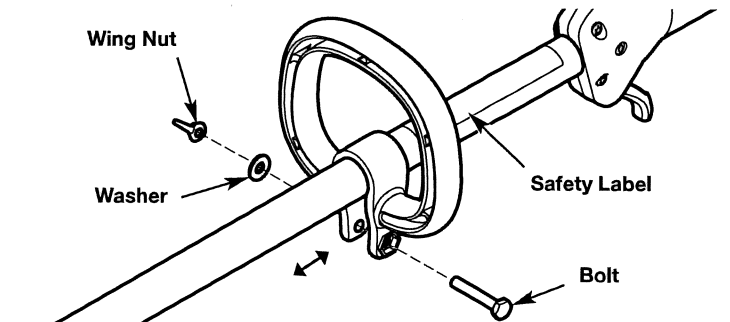


Fig. 7