



Aquatic products may be specified as Lasco Bathware.

# Installation Instructions

Remodeline (Sectional Units)

Fax on Demand # 3900

**NOTICE: Please inspect the unit thoroughly before installation to make sure it has not been damaged during transportation. If you have any questions please call Aquatic's Technical Services Department at 800-945-2726.**

## IMPORTANT! Before installation begins:

- READ ALL INSTALLATION INSTRUCTIONS COMPLETELY. IMPROPER INSTALLATION WILL VOID THE WARRANTY.**
- Make sure that walls and floors meet fire safety requirements of local building code and/or FHA/HUD Minimum Property Standards.
- The blocks and/or legs attached underneath the bottom of the bath fixture are an integral part of the support system and should not be removed. Although these blocks and/or legs need not touch for an acceptable install, this may be an indication that the unit and/or sub-floor are out of level. To achieve a superior install, Aquatic recommends to shim, or support with foundation material, any gap under the support blocks and/or legs.  
**NOTE:** Finished alcove must have interior dimensions, shown on product technical data sheet rough-in diagrams, to properly install unit.

### Pre Installation Requirements

- In remodeling, if necessary, add studs at each end to provide a vertical nailing surface for the side nailing flanges of bath fixture product.
- To avoid obstruction during installation make sure that supply lines, spout pipe and valve plumbing do not project into alcove.
- Shower stalls require a 6" (150mm) diameter floor opening for 2" (50mm) IPS drain fitting connection. [See Diagram 1]
- Tub/showers require a 6" x 12" (150mm x 305mm) floor opening for the 1½" (40mm) drain, waste and overflow (DWO) kit. [See Diagram 2]  
**NOTE:** Be sure floor opening location matches left-hand or right-hand bath fixture drain location.
- Use of casting plaster/plaster of paris (foundation material) is recommended in all commercial structures (i.e. hotels, motels, dormitories, health clubs, etc.).

## INSTALLATION

If mounting fittings on tub or shower; from stable reference points (back wall studs, floor) measure the locations of spout and valves. Note measurements here:

Tub Filler: \_\_\_\_\_ Valve: \_\_\_\_\_

Shower Arm: \_\_\_\_\_ Valve: \_\_\_\_\_

*(Mark dimensions only if shower arm is plumbed within bath fixture wall area.)*

- Make sure framed-in alcove is of proper size per AQUATIC dimensions, square, and plumb; check floor for levelness.
- Disassemble unit as received into two/three separate sections (base and wall section/s) and save the connecting bolts from those units with split walls. (If cartoned, separate sections and locate connecting bolts and plastic fasteners (BathLocks) provided.)
- Insert the three/four plastic fasteners (BathLocks) provided, into the base section, so they protrude upwards through each of the pre-drilled holes where the connecting bolts were as originally received. Prior to inserting BathLocks, place a bead of silicone on the BathLock rim where the ribbed post meets the flat disk. This will create a watertight seal once the BathLock is fully inserted. Use a hammer (lightly tapping) to drive up the fasteners. [See Diagram 3: Detail B]
- To prevent scuffing while installing unit cover the entire bottom of the unit with a piece of cardboard or other protective material.  
**NOTE:** Fasteners: To wood framing - 1" (25mm) galvanized roofing nails or 1" (25mm) pan head screws; to steel studs - drill flanges and studs with 3/16" (5mm) carbide bit and fasten with #10 x 1" (25mm) sheet metal screws with washers; to concrete/block walls use 1" (25mm) concrete nails with nailing tool or impactor. **NOTE:** Pre drilling nailing flanges is recommended to avoid cracking the unit.
- Bottom support materials: Casting plaster/plaster of paris (herein referred as foundation materials) are not necessary but its use is highly recommended for a firmer bottom support. When using foundation materials, the following applies:  
In a bucket, mix foundation material. Place three or four mounds of plaster on the subfloor around but away from drain hole. The mounds should be placed high enough so that when the unit is set, it will cause the plaster to displace and spread.
- Carry base into bathroom and place into framing pocket. Level lengthwise and widthwise using 3' (915mm) level by shimming or depressing foundation materials. **The unit should be set level.**
- Pre-drill horizontal nailing flanges along top of base section and nail fasten with 1" (40mm) galvanized roofing nails into each corresponding stud. [See Diagram 3: Detail A]
- Pre-drill both (vertical) side nailing flanges and nail fasten to side studs 8" (200mm) on center.
- For three-piece units with two sectional walls, use the connecting bolts to re-assemble the wall sections prior to installing onto base. Caulk one side of vertical joint, then assemble wall sections with bolts through existing holes.  
**NOTE:** Use 100% silicone sealant with mildew resistant properties to caulk unit.
- Place a silicone bead on top of the base section ledge where wall section mounts to base, creating a seal that encapsulates BathLock posts at base. Make sure that the silicone bead is placed completely around the protruding BathLock post in order to create a watertight seal.  
Align wall section predrilled holes to BathLock fasteners and press down securing wall section onto fasteners until seam is closed. [See Diagram 3]



Aquatic products may be specified as Lasco Bathware.

# Installation Instructions

Remodeline (Sectional Units)

Fax on Demand # 3900

- a. Nail fasten top horizontal nailing flange of wall section to each stud. [See Diagram 3: Detail A]
- b. Nail fasten both side vertical nailing flanges of wall section to vertical studs 8" (200mm) on center.
- When other than cementitious backer board plaster is to be used, furring strips as thick as nailing flanges are recommended for installation on studs above the installed AQUATIC unit to assure walls will be flush. 100% silicone sealant with mildew resistant properties should be applied between the backer board and horizontal surface of unit. Finished wall materials can be applied [See Diagram 3: Detail A]. Finishing of other trades should be done in conformance with applicable codes and generally accepted building practices.
- Tub - Mounted Fittings: Refer to dimensions noted above; mark fitting locations. Using a hole saw (fine tooth or abrasive grit cutting edge), make necessary openings for filler and valves, drilling from inside (smooth side) out.
- Door Enclosures: Use AQUATIC shower door model for an engineered fit. Reference the Complete Works Catalog or the AQUATIC Bathware website for the shower door installation guide.

**NOTE:** Where local codes specify minimum door openings, shower stalls may require swing (not sliding) doors.

## CLEAN-UP

**CAUTION: DO NOT USE heat, or solvent based cleaning fluids**

**NOTE: Do not remove adhered label. Warranty/User Maintenance Label must be left for occupant. (Required by ANSI Z124)**

1. To prevent staining and/or blistering: Remove all construction debris before filling product for plumbing inspection. Drain and wipe clean immediately after the inspection process. Use sponge with warm water and liquid detergent. Do not use abrasive cleaners, such as scouring powders or pads, steel wool, scrapers, sandpapers or anything else that may scratch, mar or dull the finish. Roofing tar or paints may be removed with turpentine, rubbing alcohol or paint thinner (not lacquer thinner).
2. Plaster may be removed by scraping with the edge of a piece of wood or rigid plastic. Do not use a metal scraper or utensil to remove plaster or paint from finish.
3. Dulled areas can be restored to a high gloss with white or cream-colored automotive rubbing compound, followed by application of a coat of good quality white automotive polish (or similar) and buff with a soft cloth.
4. Remove minor scratches with 600 grit wet/dry sandpaper, followed by Step #3 (above).
5. Major gouges require professional repair.

## USER MAINTENANCE INSTRUCTIONS

**IMPORTANT! Use only recommended cleaners and procedures described herein. Use of other materials and methods may damage your bath fixture and void the warranty.**

- For normal cleaning: Never use abrasive cleaners such as scouring powders or pads, steel wool, scrapers, sandpaper or anything else that could scratch or dull the surface of your AQUATIC unit. Instead, use warm water and liquid detergents or non-abrasive cleansers, especially those bathroom cleaners recommended for cleaning fiberglass.
- To keep your AQUATIC bath fixture sparkling clean: Apply a coat of good quality automotive paste wax or polish and buff to a high shine with a soft cloth or towel. Repeat every six months for easier cleaning and long lasting protection.  
**NOTE:** DO NOT WAX standing surfaces of the unit bottom (this includes textured, slip resistant standing surfaces), which could result in greater risk of slipping and personal injury.
- To restore a scratched or dull unit: Use an automotive polishing compound applied with a clean cotton rag. Rub scratches and dull areas vigorously. Wipe off residues. Follow with automotive wax treatment described above.
- To remove adhesive: Try 3-M Natural Cleaner, De-Solv-It or similar materials. If residues remain, saturate a small, white, cotton rag with nail polish remover (naphtha or acetone) and rub vigorously until the adhesive dissolves and disappears. These solvents are highly flammable and must be used sparingly and with caution. Do not smoke or permit others to do so. Make sure all nearby heating devices (including pilot lights) are extinguished. Do not allow solvent to go down the drain. Make sure not to contact plastic drain grates or other synthetic materials.
- Rubber Mats: If you use a rubber "anti-skid" mat, make sure to remove it from the unit after each use to avoid harm to the surface finish.
- Hard Water: Water in certain regions, if not wiped up after bathing/showering, may cause fading of some bath fixture colors. This is a natural occurrence beyond AQUATIC's control. (See Warranty)

## Silicone Application and Maintenance

**NOTICE: Silicone maintenance and continual upkeep are the homeowner's responsibility.**

The wet, humid conditions in a bathroom, along with the use of cleansing products in tubs and shower stalls, can lead to silicone failure. AQUATIC recommends inspecting silicone joints periodically and replacing bad silicone as necessary. Most silicone suppliers provide detailed caulking instructions; the guideline below describes the techniques for using and maintaining silicone sealant applied to gelcoat and acrylic surfaces only.

- Apply 100% silicone sealant with mildew-resistant properties to the joint/seam. To ensure a proper seal, clean and prepare the surface area immediately before applying the silicone. [See Diagram 3]

**NOTE:** When using solvents to clean surfaces and remove various contaminants, make sure to use a non-contaminated solvent and a clean towel or cloth.

## Gel-coated and Acrylic Surfaces

To properly prepare the surface, clean the application area with a solvent, such as mineral spirits or paint thinner. After applying solvent, always wipe the surface dry with a clean, non-contaminated cloth or towel. Never let solvent air dry or evaporate; always wipe it clean.

## General Cleaning Cautions

- Clean the application surface immediately before caulking.
- Use cleaning solvents in a well-ventilated area, following all safety precautions and instructions listed on the product label.
- Do not use detergent or soap to clean the application surface; silicone sealants will not adhere to soap residue or scum.

Silicone should be inspected periodically and reapplied as necessary to prevent any water related issues. If mold or mildew is present, clean the area with a disinfectant and apply rubbing alcohol.

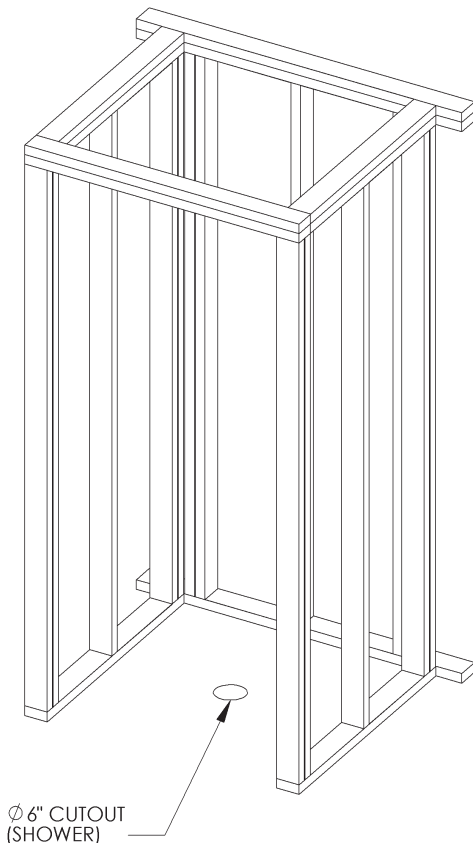
## Follow the procedures below for application of silicone and to ensure proper maintenance:

1. Apply silicone/caulk remover to soften the sealant material (silicone/caulk or grout) that is being replaced.
2. Peel out the old sealant material using a soft putty blade or awl (non-metal utensils).
3. Apply a strip of painter's masking tape along the inside edge of each side of the joint/s where silicone sealant will be applied.
4. Apply silicone to the joint/s and smooth over with finger or caulking tool.
5. Remove tape strips along joint edges after the silicone is applied and smoothed out, while the silicone is still wet.

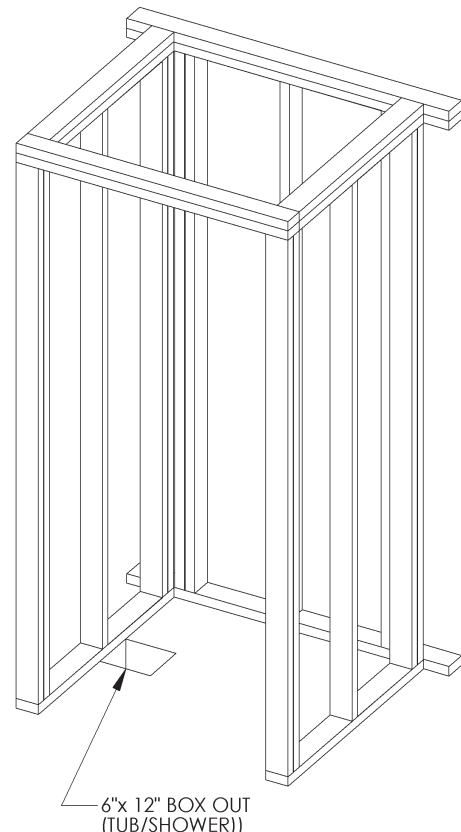
**NOTE:** Allow silicone to cure for 24 hours (normal cure time) before using bath or shower. Humidity affects the curing process and different geographical areas experience varying degrees of humidity. Refer to silicone manufacturers' instructions for additional information related to curing times.

**CAUTION:** When using any cleaning or polishing materials, make sure to read and follow all package instructions carefully. Wear rubber gloves at all times and avoid contact with eyes, skin, clothing, rugs and furnishings. Make sure all residues are rinsed off thoroughly.

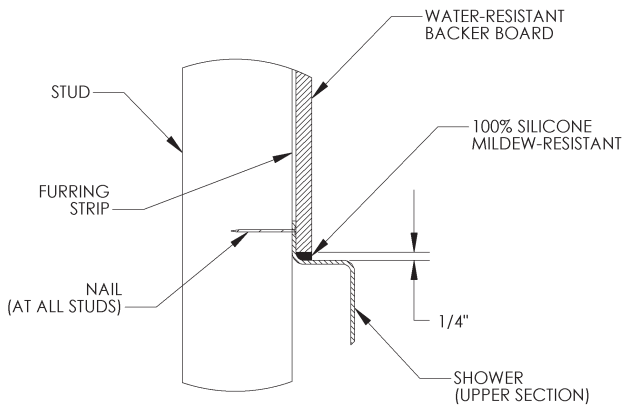
## DIAGRAMS



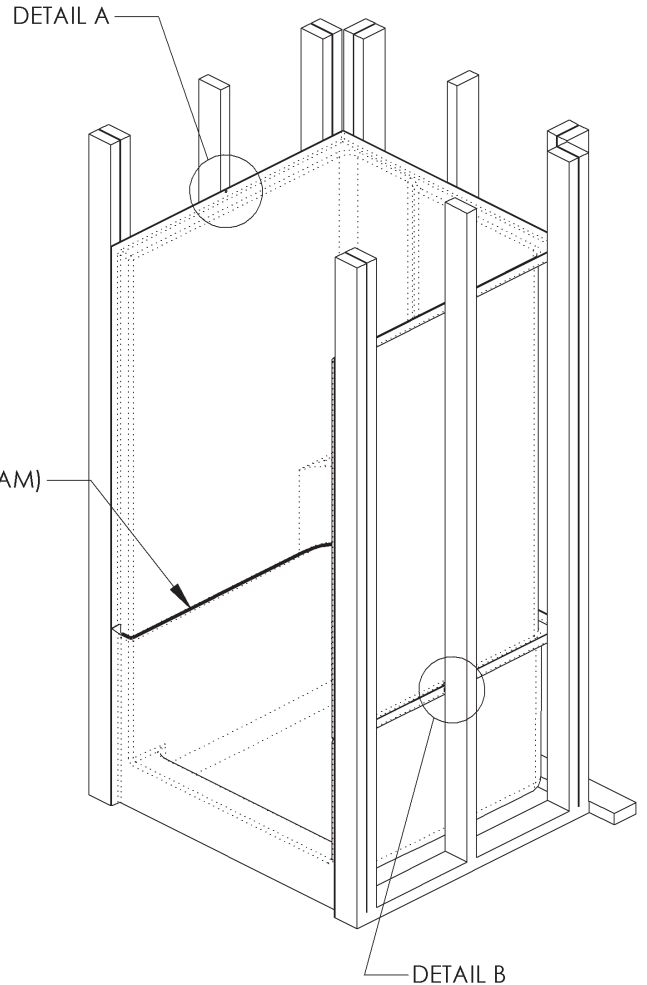
**Diagram 1**



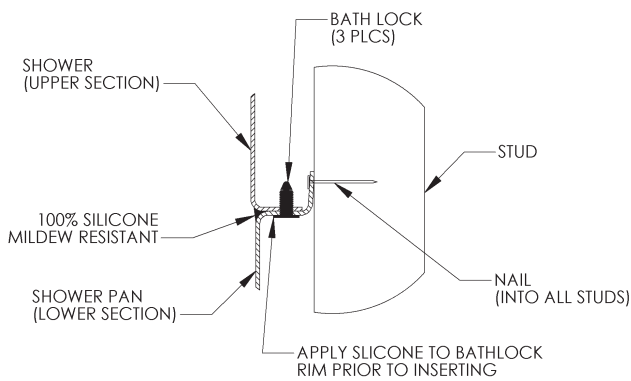
**Diagram 2**



**Section Detail A**



**Diagram 3**



**Section Detail B**



Customer Service | Technical Services | Warranty Services

1521 No. Cooper, Ste. 500  
Arlington, TX 76011  
PH: 800-945-2726, 817-801-8300  
FAX: 866-544-5353

LITID3900