

# Wall and Base Cabinet Installation Instructions

**CAUTION:** Never use nails to mount cabinets. The use of nails may void your factory warranty, written or implied.

## Tools Needed:

- Tape Measure
- Stud Finder
- Level
- Pencil
- Clamps
- Square
- Drill with 3/32" bit
- Phillips Head Screwdriver and drill driver bit

## Materials Needed:

- Wood Shims
- 2½" Trim Head or Flat Head Wood Screws
- 2" Trim Head or Flat Head Wood Screws and drill driver bit (utilized for DC2430 ONLY)
- 2½" Round Washer Head Wood Screws



## Before starting the installation

These instructions are intended as supplemental reference for those who have the appropriate skills and experience to safely and successfully install cabinetry, including familiarity with basic carpentry principles and safe and proper tool use. Wall framing and construction can vary greatly, and these instructions may not describe all construction methods. Also, there may be electric, plumbing, gas lines or other utilities behind the wall, for which contact must be avoided during installation. If for any reason after reading these instructions you do not feel confident in the ability to safely and successfully install this cabinetry, please contact a licensed contractor for installation. MasterBrand Cabinets is not responsible for improper installation or property damage.

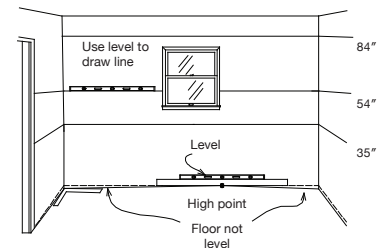
**WARNING:** Electric, plumbing, gas lines and other utilities, are frequently installed or embedded behind walls where cabinets are being installed. Before drilling any holes or driving any screws, be sure you will not be making contact with any of these utilities. Failure to follow these instructions may result in property damage and serious or fatal injury. If you do not feel confident in your ability to ensure that you will not make contact with utilities behind a wall during installation, please contact a licensed contractor to install the cabinets.

## Step 1: Inspect New Cabinets

All cabinets are subjected to quality inspections before leaving the factory, and have been carefully packaged to prevent damage during shipping and handling. Unfortunately, damage may occur occasionally in handling between the factory and the final destination. Inspect each cabinet carefully. If damage is discovered, place the cabinet back into the carton and notify retailer of purchase.

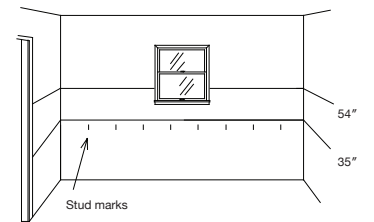
## Step 2: Determine Cabinet Placement

Remove baseboard and other objects on the wall area where the cabinets are to be installed. Using a straight edge and a level, find the high point in the floor where the cabinets are to be installed. From the high point, mark a level horizontal line on each wall where the cabinets will be attached. From the level lines, mark another parallel level horizontal line 84" for the tall cabinet heights. The top of the base, tall & wall cabinets will be located at these marks.



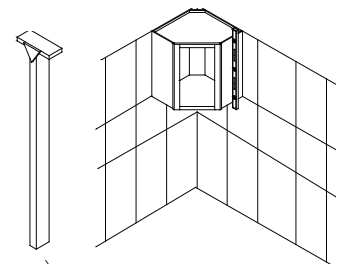
## Step 3: Prepare For Cabinet Installation

Locate the studs with a stud finder and mark where the cabinets are to be installed. Remove all the doors, drawers and adjustable shelving from the cabinets before installation. This will reduce weight and allow easier access during installation.



## Step 4: Begin Cabinet Installation

Start installing the wall cabinets in the corner (if applicable). Place the wall cabinet at the predetermined reference line. It is recommended to use a brace (example: t-brace) to help hold wall cabinets in place. Measure from the corner to the first wall stud mark. Transfer this measurement to the inside of the wall corner cabinet. Mark the placement of the next wall stud. Drill through the wall cabinet back into the prelocated wall studs with a 3/32" diameter drill bit, approximately 2" deep. The holes should be positioned 2" down from the inside top of the cabinet but should come no closer than 2" to any inside vertical edge of the cabinet. Cement, block, brick or tile walls will require anchors for screws or toggle bolts. These will need to be purchased separately if needed. Insert the 2½" round washerhead screws into the holes until they are nearly tight. Do not tighten the screws until all final leveling and shimming is completed as needed. Check the front, sides and bottoms of all wall cabinets with a level. After the cabinet is level and plumb, tighten the installation screws.

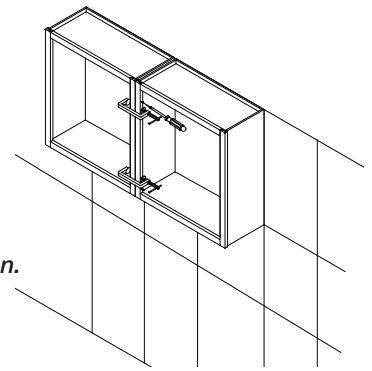


Example of brace used to aid in installing wall cabinets. Shown is a t-brace made of scrap 2x4s and 1x4. Place a piece of scrap carpeting over 1x4 to protect cabinet.

## Step 5: Complete Wall Cabinet Installation

Continue the wall cabinet installation by placing the next cabinet on the wall at the predetermined reference, using clamps to clamp the cabinet face frames together firmly. Be careful to line up the bottom horizontal edges. With a  $\frac{3}{32}$ " drill bit, drill starter holes through the face frames near the top and bottom. Insert and tighten the screws. (Note: Utilize 2" trim head or flat head wood screws if installing DC2430 cabinet). Check cabinet with a level on the cabinet front, sides and bottom. Shim where necessary. Once the cabinet is level and plumb, tighten all the installation screws and remove the clamps. Continue installing the rest of your wall cabinets in the same manner.

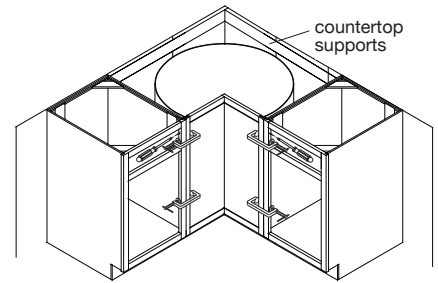
**NOTE:** If installing a single wall cabinet, follow instructions shown in Step #9 for proper installation.



## Step 6: Begin Base Cabinet Installation

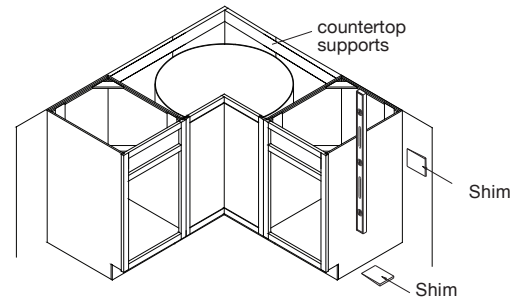
Once the wall cabinets have been installed, the base cabinets can then be installed. Start installing the base cabinets in the corner (if applicable). Using the clamps, align and join the cabinets together at the face frames. Make sure that the face frames align both on the face and vertically. Follow Step 5 for attaching face frames.

**NOTE:** For lazy susan cabinets, counter top supports must be added as shown.



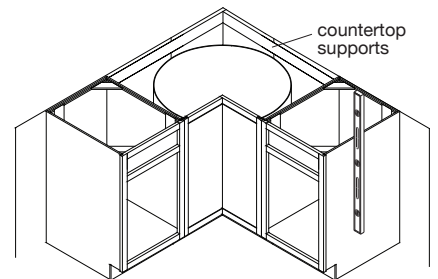
## Step 7: Level Base Cabinets

Check the cabinet, ensuring that it is level and plumb. Shim to fill uneven areas between the floor and base of the cabinet, and between the wall and the back of the cabinet. Failure to do this step could result in damage to the cabinet. Drill through the cabinet back into prelocated wall studs with a  $\frac{3}{32}$ " diameter drill bit, approximately 2" deep. The hole should come no closer than 2" to any inside vertical edge of the cabinet.



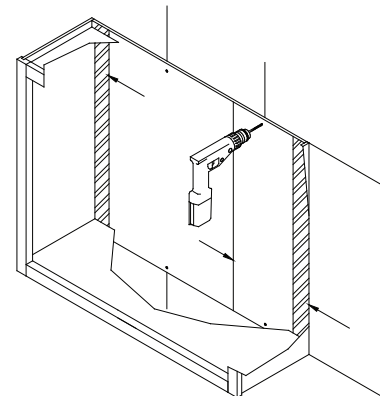
## Step 8: Complete Base Cabinet Installation

Insert the  $2\frac{1}{2}$ " round washerhead screws into the holes until they are nearly tight. Make sure the back is fully supported with shims as needed, and does not bow into any imperfections in the wall. Ensure the cabinet is level and plumb and adjust as needed. Tighten the screws fully, and recheck to verify that the cabinets are level and plumb.



## Step 9: Install Single Wall Cabinets

Follow Steps 2 & 3 for preparing the wall for the single cabinet. The cabinet should be located on the wall, so that the prelocated studs that will be used for attachment do not fall within 2" of the inside vertical edges of the cabinet. Ensure that the cabinet is level and plumb and shim to fill uneven areas between the wall and the back of the cabinet. Failure to do so could result in damage to the cabinet. Pay close attention to the locations that the cabinet will attach to the wall, making sure that there are no voids. Drill through the cabinet back or hanging rails, into prelocated stud(s) using a  $\frac{3}{32}$ " diameter bit, 2" deep in a minimum of 4 places. The holes should be no closer than 2" and no further than 12" from any inside vertical edge. The holes should also be located at the top and bottom of the back. The use of  $2\frac{1}{2}$ " round washer head screws is required. Cement, block, brick or tile walls will require anchors for the screws. These will need to be purchased separately if needed. Insert screws into the holes until they are nearly tight. Make sure that the cabinet back is fully supported with shims as needed, and does not bow with any imperfections found in the wall. Confirm that the cabinet is level and plumb, adjust as needed. Tighten the screws down and recheck that the cabinet is level and plumb.



**IMPORTANT:** Structural modifications of a wall cabinet can significantly weaken the cabinet. For this reason modifications are not recommended, such as cutting the back to clear wall obstructions. If an obstruction exists, we suggest you first try to use cabinet(s) that do not require modifications. If modification is required, the warranty of the cabinet is void and it is the responsibility of the installer to take appropriate steps to compensate for any loss of strength or support due to the modification.

## Step 10: Completing The Installation And Alignment

After cabinets are securely installed to the walls, reinstall all doors, drawers and adjustable shelving. Next, check each door and drawer for proper alignment.

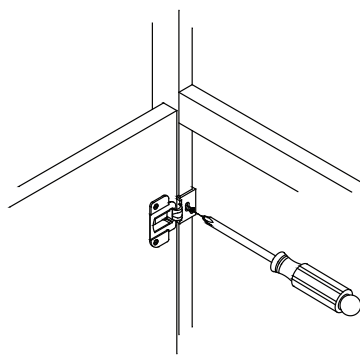
Example: If the drawer front does not lie flush against the face frame, check that the cabinet is level, both horizontally and vertically. It may be necessary to realign the drawer guides as well. The drawer guides can be adjusted side to side by moving the slide member by hand and making the necessary adjustments until the drawer lies flush against the face frame of the cabinet.

**IMPORTANT:** All doors and drawer fronts must be aligned prior to decorative hardware installation.

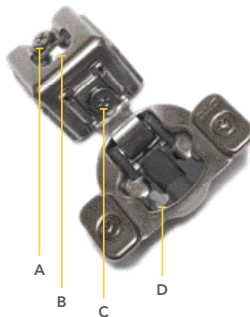
## Cabinet Care And Maintenance

### 6-Way Hinge Adjustment

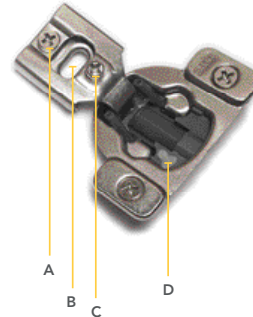
The hinges can be easily adjusted “up and down” by loosening the hinge screws attached to the face frame. Slide the door up or down until aligned and tighten the screws. The hinges can also be adjusted “side to side” and “in and out”. See below for details on adjustments.



FULL OVERLAY



PARTIAL OVERLAY



**A. In & Out Adjustment**

For bowed and warped doors. (See illustrations below.)

**B. Up & Down Adjustment**

For misaligned doors. Loosen screws, adjust, then re-tighten screws.

**C. Side to Side Adjustment**

For gaps between double doors. Clockwise to adjust out, counter clockwise to adjust in.

### Troubleshooting Guide: Problems You Can Handle

Even though your cabinets must pass rigid quality inspection procedures, irregularities arise as a result of shipping and handling procedures. Also, certain errors during the installation process may cause problems that are not the fault of the cabinet manufacturer. Listed below are several conditions and causes, as well as remedies for those situations.

<i>Problem</i>	<i>Possible Cause</i>	<i>Solution</i>
Cabinet doors do not align vertically (up and down).	A hinge is twisted or the cabinet is out of alignment or "racked."	Make sure the cabinet is plumb and level. Adjust the door hinges.
Double doors on a wall or base cabinet do not line up.	This could be the result of improper cabinet installation. The cabinet is out of alignment and is not set level and square (plumb).	Loosen the cabinet from the wall and use shims to properly square up the cabinet. Adjust the door hinges.
Space between the two adjoining doors is too great.	A hinge is out of adjustment.	Adjust the door hinges.
Cabinet drawer does not close evenly.	Drawer alignment is poor.	Manually adjust the drawer guide member.

### Cabinet Cleaning: Interior

Cabinet interiors are surfaced with a urethane-coated laminate that resists scuffs, mars and most common household spills. Wipe with a damp cloth or sponge. For food residue or grease, use warm water mixed with mild dishwashing liquid to wipe clean. 5% dishwashing liquid to 95% water is a good ratio. Dry thoroughly. To avoid permanent damage, it is important to clean the spill and dry the surface immediately.

### **Cabinet Cleaning: Exterior – Wood Cabinets**

Wood exteriors are manufactured with a quality finish that protects the wood. Monthly cleaning is recommended. Wipe the surface of the cabinets with a clean damp cloth, and dry with another clean cloth. For general soil or grease, use warm water mixed with mild dishwashing liquid to wipe clean. 5% dishwashing liquid to 95% water is a good ratio. Dry thoroughly. Excess moisture can damage any cabinet finish; areas near the sink, range, dishwasher, oven and baseboards are the most susceptible and must be kept dry. Waxing is not recommended and over time, waxing and polishing compounds may build up on cabinet surfaces forming a hazy, streaked or yellowed appearance.

### **Cabinet Cleaning: Exterior – Laminate**

Laminate cabinets are surfaced with a durable PVC that is colored throughout, allowing for years of outstanding wear and beauty. Monthly cleaning is recommended, using the same procedure described for wood exteriors.

***CAUTION: Avoid using cleaners that contain bleach, ammonia, citrus based products or any type of abrasives (see cleaner label). These cleaners can cause damage to your cabinet finish.***

### **Characteristics of Wood**

Authentic woods vary in color and character markings such as streaks, knots and grain patterns. Since the finish stains may attract differently to these grain patterns, some light and dark areas may result. The beauty lies in these natural variations of color and grain that give each cabinet its own individual charm. Over time, changes in the finish color may occur. Because of a natural aging process, the finish can also “deepen” over time, darkening the color of the wood or creating a “shadowing” effect where doors overlap the frame. Due to these minor differences in tone, it may not be possible to match the finish color of existing cabinets exactly when replacing doors or adding cabinets at a later date. Lighter & natural finishes and glazes highlight the inherent qualities of genuine wood to create a truly beautiful product. Only select solid hardwoods and hardwood veneers have been used to construct your cabinetry. The beauty of these genuine woods lies in the variations of color and grain. Shadings of white, red, black, yellow and even green may be visible. Mineral streaks may also add to the distinctive appearance, reflecting the tree’s “life history” as it absorbs minerals differently from one area to another. Grain and apparent texture may range from even and consistent to varied and dramatic. These natural variations result in unique character markings on adjacent cabinets, on pairs of doors and even within the same panel. These variations can also appear on edges of hardwood doors where solid lumber cores are exposed in certain styles. These unique characteristics of wood are pointed out to remind you that each piece is different. The varied affect, more clearly evident in the natural finish, may be different in a complete kitchen from that represented by a smaller display or finish sample. Neither we the manufacturer, nor your dealer can be responsible for the type or degree of variations which may actually characterize your cabinetry.

### **Characteristics of Laminate**

Laminate cabinetry features doors and drawer fronts surfaced with laminate PVC. These products also feature face frames constructed of solid wood with a painted finish protected with a catalyzed varnish. Woods naturally expand and contract with changes in temperature and humidity; therefore, some visible cracks may eventually form in the area of cabinet joints. Since the doors and drawer fronts are fabricated with different materials than the solid wood face frames, the natural aging process may cause the two materials to show some color variations. The levels of exposure to sunlight, smoke and household chemicals will all have an impact on the color variation.

The preceding is not a warranty. If you have specific warranty questions, contact the manufacturer's customer service for warranty information and limitations.

# Instructions d'installation des armoires mur et base

**ATTENTION :** N'utilisez jamais de clous pour monter des armoires. L'utilisation de clous peut annuler votre garantie d'usine, écrite ou implicite.

## Outils nécessaires:

- Mètre à ruban
- Crayon
- Rechercher de goujons
- Pincettes
- Niveau
- Percer avec un foret de 3/32"
- Tournevis cruciforme et foret

## Les matériaux nécessaires:

- Cales en bois
- Vis à bois à tête ronde ou à tête plate de 2 1/2 po
- Vis à bois à tête de coupe ou à tête plate de 2 po et foret (utilisé pour le DC2430 UNIQUEMENT)
- Vis à bois à tête ronde de 2 1/2"



## Avant de commencer l'installation

Ces instructions sont destinées à servir de référence supplémentaire pour ceux qui possèdent les compétences et l'expérience appropriées pour installer des armoires en toute sécurité et avec succès, y compris une connaissance des principes de base de la menuiserie et une utilisation sûre et appropriée des outils. La charpente et la construction des murs peuvent varier considérablement et ces instructions peuvent ne pas décrire toutes les méthodes de construction. De plus, il peut y avoir des conduites d'électricité, de plomberie, de gaz ou d'autres services publics derrière le mur, pour lesquels tout contact doit être évité lors de l'installation. Si, pour une raison quelconque, après avoir lu ces instructions, vous n'êtes pas sûr de votre capacité à installer cette armoire avec succès et en toute sécurité, veuillez contacter un entrepreneur agréé pour l'installation. MasterBrand Cabinets n'est pas responsable d'une mauvaise installation ou de dommages matériels.

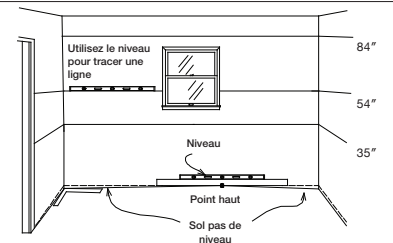
**AVERTISSEMENT :** Les conduites d'électricité, de plomberie, de gaz et autres services publics sont fréquemment installés ou encastrés derrière les murs où les armoires sont installées. Avant de percer des trous ou d'enfoncer des vis, assurez-vous que vous n'entrez en contact avec aucun de ces utilitaires. Le non-respect de ces instructions peut entraîner des dommages matériels et des blessures graves, voire mortelles. Si vous n'êtes pas sûr de votre capacité à garantir que vous n'entrez pas en contact avec les services publics derrière un mur pendant l'installation, veuillez contacter un entrepreneur agréé pour installer les armoires.

## Étape 1 : Inspection des nouvelles armoires

Toutes les armoires sont soumises à des contrôles de qualité avant de quitter l'usine et ont été soigneusement emballées pour éviter tout dommage pendant le transport et la manutention. Malheureusement, des dommages peuvent survenir occasionnellement lors de la manutention entre l'usine et la destination finale. Inspectez soigneusement chaque armoire. Si des dommages sont découverts, remettez l'armoire dans le carton et informez le détaillant de l'achat.

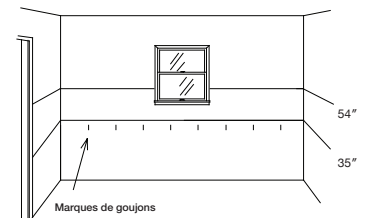
## Étape 2 : Déterminer l'emplacement du cabinet

Retirez les plinthes et autres objets sur la zone du mur où les armoires doivent être installées. À l'aide d'une règle droite et d'un niveau, trouvez le point haut du sol où les armoires doivent être installées. À partir du point haut, tracez une ligne horizontale de niveau sur chaque mur où les armoires seront fixées. À partir des lignes de niveau, marquez une autre ligne horizontale parallèle de 84 po pour les hauteurs des armoires hautes. Le haut des armoires de base, hautes et murales sera situé à ces marques.



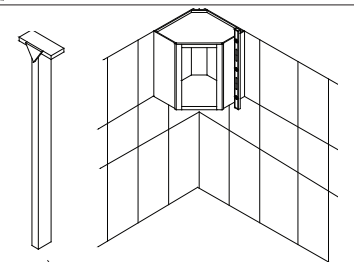
## Étape 3 : Préparez-vous à l'installation de l'armoire

Localisez les montants avec un détecteur de montants et marquez l'endroit où les armoires doivent être installées. Retirez toutes les portes, tiroirs et étagères réglables des armoires avant l'installation. Cela réduira le poids et permettra un accès plus facile lors de l'installation.



## Étape 4 : Commencer l'installation de l'armoire

Commencez à installer les armoires murales dans le coin (le cas échéant). Placez l'armoire murale sur la ligne de référence prédéterminée. Il est recommandé d'utiliser un renfort (exemple : un renfort en T) pour aider à maintenir les armoires murales en place. Mesurez du coin à la première marque de montant mural. Transférez cette mesure à l'intérieur du meuble d'angle mural. Marquez l'emplacement du prochain montant mural. Percez l'armoire murale dans les montants muraux prélocalisés avec un foret de 3/32" de diamètre, environ 2" de profondeur. Les trous doivent être positionnés à 2" du haut intérieur de l'armoire, mais ne doivent pas être à moins de 2" de tout bord vertical intérieur de l'armoire. Les murs en ciment, en blocs, en brique ou en carrelage nécessiteront des ancrages pour les vis ou les boulons à bascule. Ceux-ci devront être achetés séparément si nécessaire. Insérez les vis à tête ronde de 2 1/2" dans les trous jusqu'à ce qu'elles soient presque serrées. Ne serrez pas les vis tant que le nivellement et le calage finaux ne sont pas terminés, si nécessaire. Vérifiez l'avant, les côtés et le bas de toutes les armoires murales avec un niveau. Après l'armoire est de niveau et d'aplomb, serrez les vis d'installation.



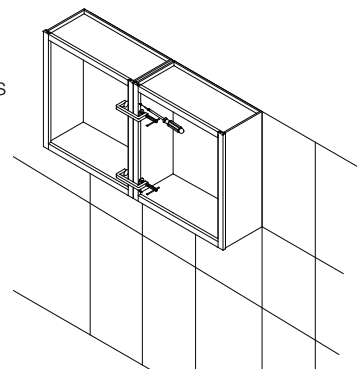
Exemple de renfort utilisé pour faciliter l'installation Armoires murales. Montré est une attelle en T faite de mettre au rebut des 2x4 et des 1x4. Placez un morceau de ferraille moquette sur 1x4 pour protéger l'armoire.



## Étape 5 : Installation complète de l'armoire murale

Poursuivez l'installation de l'armoire murale en plaçant l'armoire suivante sur le mur à la référence prédéterminée, à l'aide de pinces pour serrer fermement les cadres de façade de l'armoire ensemble. Veillez à aligner les bords horizontaux inférieurs. À l'aide d'un foret de 3/32", percez des trous de départ à travers les cadres de façade près du haut et du bas. Insérez et serrez les vis. (Remarque : utilisez des vis à bois à tête plate de 2" ou à tête plate si vous installez l'armoire DC2430). Vérifiez l'armoire avec un niveau sur le devant, les côtés et le bas de l'armoire. Calez si nécessaire. Une fois que l'armoire est de niveau et d'aplomb, serrez toutes les vis d'installation et retirez les pinces. Continuez à installer le reste de vos armoires murales de la même manière.

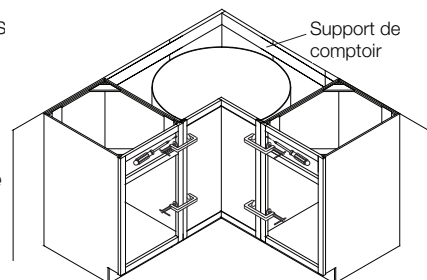
**REMARQUE :** Si vous installez une armoire murale simple, suivez les instructions indiquées à l'étape 9 pour une installation correcte.



## Étape 6 : Commencer l'installation de l'armoire de base

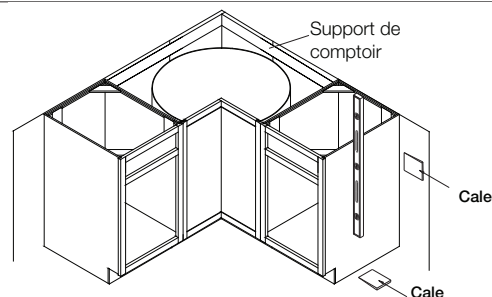
Une fois les armoires murales installées, les armoires basses peuvent ensuite être installées. Commencez à installer les armoires inférieures dans le coin (le cas échéant). À l'aide des pinces, alignez et joignez les armoires au niveau des cadres avant. Assurez-vous que les cadres du visage sont alignés à la fois sur le visage et verticalement. Suivez l'étape 5 pour fixer les cadres de visage.

**REMARQUE :** Pour les armoires Lazy Susan, des supports de comptoir doivent être ajoutés comme indiqué.



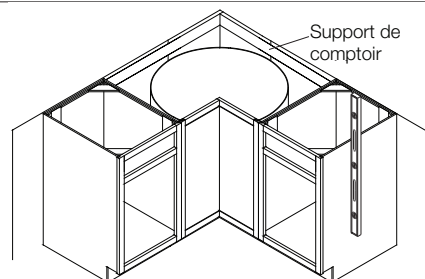
## Étape 7 : Armoires de base de niveau

Vérifiez l'armoire en vous assurant qu'elle est de niveau et d'aplomb. Cale pour combler les zones inégales entre le sol et la base de l'armoire, ainsi qu'entre le mur et l'arrière de l'armoire. Le non-respect de cette étape pourrait entraîner des dommages au boîtier. Percez l'armoire dans les montants muraux prélocalisés avec un foret de 3/32" de diamètre, d'environ 2" de profondeur. Le trou ne doit pas s'approcher à moins de 2" de tout bord vertical intérieur de l'armoire.



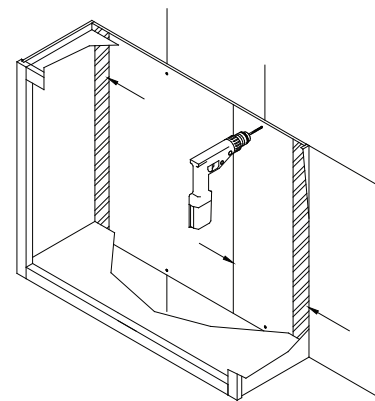
## Étape 8 : Terminer l'installation de l'armoire de base

Insérez les vis à tête ronde de 2 1/2" dans les trous jusqu'à ce qu'elles soient presque serrées. Assurez-vous que le dossier est entièrement soutenu avec des cales si nécessaire et qu'il ne se plie pas dans les imperfections du mur. Assurez-vous que l'armoire est de niveau et d'aplomb et ajustez-la si nécessaire. Serrez complètement les vis et vérifiez à nouveau que les armoires sont de niveau et d'aplomb.



## Étape 9 : Installer des armoires à paroi simple

Suivez les étapes 2 et 3 pour préparer le mur pour l'armoire simple. L'armoire doit être située sur le mur, de sorte que les goujons prélocalisés qui seront utilisés pour la fixation ne tombent pas à moins de 2" des bords verticaux intérieurs de l'armoire. Assurez-vous que l'armoire est de niveau et d'aplomb et calez pour combler les zones inégales entre le mur et l'arrière de l'armoire. Ne pas le faire pourrait entraîner des dommages à l'armoire. Portez une attention particulière aux emplacements où l'armoire sera fixée au mur, en vous assurant qu'il n'y a pas de vides. Percez à travers l'arrière ou l'arrière de l'armoire, rails de suspension, dans les montants prélocalisés à l'aide d'un foret de 3/32" de diamètre et de 2" de profondeur à au moins 4 endroits. Les trous ne doivent pas être à moins de 2" et à pas plus de 12" de tout bord vertical intérieur. Les trous doivent également être situés en haut et en bas de l'arrière. L'utilisation de vis à tête ronde à rondelle de 2 1/2" est requise. Les murs en ciment, en blocs, en brique ou en carrelage nécessiteront des ancrages pour les vis. Ceux-ci devront être achetés séparément si nécessaire. Insérez les vis dans les trous jusqu'à ce qu'elles soient presque serrées. Assurez-vous que l'arrière de l'armoire est entièrement soutenu avec des cales si nécessaire et ne se plie pas avec les imperfections trouvées dans le mur. Confirmez que l'armoire est de niveau et d'aplomb, ajustez si nécessaire. Serrez les vis et vérifiez à nouveau que l'armoire est de niveau et d'aplomb.



**IMPORTANT :** Les modifications structurelles d'une armoire murale peuvent affaiblir considérablement l'armoire. Pour cette raison, les modifications ne sont pas recommandées, comme couper l'arrière pour éliminer les obstructions murales. En cas d'obstruction, nous vous suggérons d'essayer d'abord d'utiliser des armoires qui ne nécessitent pas de modifications. Si une modification est requise, la garantie de l'armoire est nulle et il est de la responsabilité de l'installateur de prendre les mesures appropriées pour compenser toute perte de résistance ou de support due à la modification.

## Étape 10 : Terminer l'installation et l'alignement

Une fois les armoires solidement installées sur les murs, réinstallez toutes les portes, tiroirs et étagères réglables. Ensuite, vérifiez le bon alignement de chaque porte et tiroir.

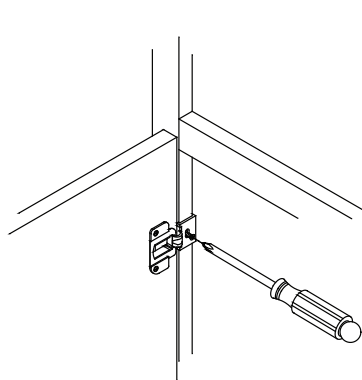
Exemple : Si la façade du tiroir ne repose pas contre le cadre de façade, vérifiez que le meuble est de niveau, tant horizontalement que verticalement. Il peut également être nécessaire de réaligner les guides des tiroirs. Les guides de tiroir peuvent être ajustés d'un côté à l'autre en déplaçant l'élément coulissant à la main et en effectuant les ajustements nécessaires jusqu'à ce que le tiroir affleure le cadre de l'armoire.

**IMPORTANT :** Toutes les portes et façades de tiroirs doivent être alignées avant l'installation de la quincaillerie décorative.

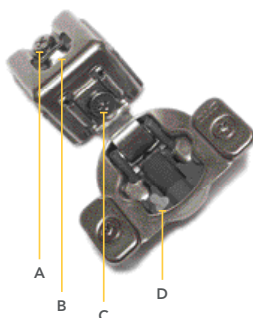
## Entretien et maintenance des armoires

### Réglage de la charnière à 6 voies

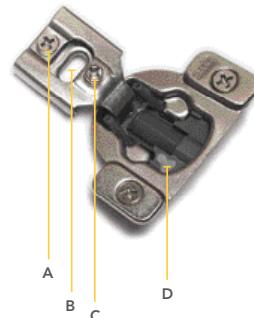
Les charnières peuvent être facilement ajustées « de haut en bas » en desserrant les vis de charnière fixées au cadre facial. Faites glisser la porte vers le haut ou vers le bas jusqu'à ce qu'elle soit alignée et serrez les vis. Les charnières peuvent également être ajustées « d'un côté à l'autre » et « de l'intérieur et de l'extérieur ». Voir ci-dessous pour plus de détails sur les ajustements.



Superposition complète



Superposition partielle



**A. Ajustement d'entrée et de sortie**  
Pour portes courbées et déformées.  
(voir illustrations ci-dessous)

**B. Ajustement haut et bas**  
Pour portes mal alignées. Desserrez les vis, ajustez, puis resserrez les vis.

**C. Réglage latéral**  
Pour les espaces entre les portes doubles. Dans le sens des aiguilles d'une montre pour régler, dans le sens inverse des aiguilles d'une montre pour régler.

### Guide de dépannage : problèmes que vous pouvez gérer

Même si vos armoires doivent passer des procédures strictes d'inspection de qualité, des irrégularités surviennent en raison des procédures d'expédition et de manutention. De plus, certaines erreurs lors du processus d'installation peuvent entraîner des problèmes qui ne sont pas la faute du fabricant de l'armoire. Vous trouverez ci-dessous plusieurs conditions et causes, ainsi que des solutions à ces situations.

Problème	Cause possible	Solution
Les portes des armoires ne s'alignent pas verticalement (haut et bas).	Une charnière est tordue ou l'armoire est mal alignée ou « en rack ».	Assurez-vous que l'armoire est d'aplomb et de niveau. Ajustez les charnières de la porte.
Portes doubles sur un meuble mural ou un meuble bas ne faites pas la queue.	Cela pourrait être le résultat d'une mauvaise installation de l'armoire. L'armoire n'est pas alignée et n'est pas réglée de niveau ni d'équerre (aplomb).	Détachez l'armoire du mur et utilisez des cales pour bien aligner l'armoire. Ajustez les charnières de la porte.
Espace entre les deux adjacentes les portes sont trop grandes.	Une charnière est mal ajustée.	Ajustez les charnières de la porte.
Le tiroir de l'armoire ne se ferme pas uniformément.	L'alignement des tiroirs est mauvais.	Ajustez manuellement l'élément de guidage du tiroir.

### Nettoyage d'armoires : intérieur

Les intérieurs des armoires sont recouverts d'un stratifié enduit d'uréthane qui résiste aux éraflures, aux mars et aux déversements domestiques les plus courants. Essuyer avec un chiffon ou une éponge humide. Pour les résidus alimentaires ou la graisse, utilisez de l'eau tiède mélangée à du liquide vaisselle doux pour essuyer. 5 % de liquide vaisselle pour 95 % d'eau est un bon rapport. Séchez soigneusement. Pour éviter des dommages permanents, il est important de nettoyer le déversement et de sécher la surface immédiatement.

## **Nettoyage d'armoires : Extérieur – Armoires en bois**

Les extérieurs en bois sont fabriqués avec une finition de qualité qui protège le bois. Un nettoyage mensuel est recommandé. Essuyez la surface des armoires avec un chiffon propre et humide et séchez avec un autre chiffon propre. Pour les salissures ou la graisse en général, utilisez de l'eau tiède mélangée à du liquide vaisselle doux pour essuyer. 5 % de liquide vaisselle pour 95 % d'eau est un bon rapport. Séchez soigneusement. Un excès d'humidité peut endommager la finition de n'importe quelle armoire ; les zones proches de l'évier, de la cuisinière, du lave-vaisselle, du four et des plinthes sont les plus sensibles et doivent être gardées sèches. Le cirage n'est pas recommandé et, avec le temps, les composés de cirage et de polissage peuvent s'accumuler sur les surfaces des armoires, formant un aspect trouble, strié ou jauni.

## **Nettoyage d'armoires : Extérieur – Stratifié**

Les armoires en stratifié sont recouvertes d'un PVC durable entièrement coloré, permettant des années d'usure et de beauté exceptionnelles. Un nettoyage mensuel est recommandé, en utilisant la même procédure décrite pour les extérieurs en bois.

**ATTENTION : Évitez d'utiliser des nettoyeurs contenant de l'eau de Javel, de l'ammoniaque, des produits à base d'agrumes ou tout type d'abrasifs (voir l'étiquette du nettoyeur). Ces nettoyeurs peuvent endommager la finition de votre armoire.**

## **Caractéristiques du bois**

Les bois authentiques varient en couleur et en marques de caractère telles que des stries, des nœuds et des motifs de grain. Étant donné que les taches de finition peuvent attirer différemment ces motifs de grain, des zones claires et sombres peuvent en résulter. La beauté réside dans ces variations naturelles de couleur et de grain qui confèrent à chaque armoire son propre charme. Au fil du temps, des changements dans la couleur de finition peuvent survenir. En raison d'un processus naturel de vieillissement, la finition peut également « s'approfondir » avec le temps, assombrissant la couleur du bois ou créant un effet « d'ombre » là où les portes chevauchent le cadre. En raison de ces différences mineures de ton, il pourrait ne pas être possible d'assortir exactement la couleur de finition des armoires existantes lors du remplacement des portes ou de l'ajout d'armoires ultérieurement. Les finitions et vernis plus légers et naturels mettent en valeur les qualités inhérentes du bois véritable pour créer un produit vraiment magnifique. Seuls des bois durs massifs et des placages de bois dur sélectionnés ont été utilisés pour construire vos armoires. La beauté de ces bois véritables réside dans les variations de couleur et de grain. Des nuances de blanc, rouge, noir, jaune et même vert peuvent être visibles. Des stries minérales peuvent également ajouter à l'apparence distinctive, reflétant « l'histoire de vie » de l'arbre, car il absorbe les minéraux différemment d'une zone à l'autre. Le grain et la texture apparente peuvent varier de uniformes et cohérents à variés et spectaculaires. Ces variations naturelles se traduisent par des marquages de caractère uniques sur les armoires adjacentes, sur les paires de portes et même au sein d'un même panneau. Ces variations peuvent également apparaître sur les bords des portes en bois dur où les âmes en bois massif sont exposées dans certains styles. Ces caractéristiques uniques du bois sont soulignées pour vous rappeler que chaque pièce est différente. L'effet varié, plus clairement évident dans la finition naturelle, peut être différent dans une cuisine complète de celui représenté par un présentoir ou un échantillon de finition plus petit. Ni nous, le fabricant, ni votre revendeur ne pouvons être responsables du type ou du degré de variations qui peuvent réellement caractériser vos armoires.

## **Caractéristiques du stratifié**

Les armoires en stratifié comportent des portes et des façades de tiroirs recouvertes de PVC stratifié. Ces produits comportent également des cadres en bois massif avec une finition peinte protégée par un vernis catalysé. Les bois se dilatent et se contractent naturellement avec les changements de température et d'humidité ; par conséquent, des fissures visibles peuvent éventuellement se former au niveau des joints des armoires. Étant donné que les portes et les façades de tiroirs sont fabriquées avec des matériaux différents de ceux des cadres en bois massif, le processus de vieillissement naturel peut entraîner des variations de couleur entre les deux matériaux. Les niveaux d'exposition au soleil, à la fumée et aux produits chimiques ménagers auront tous un impact sur la variation de couleur.

Ce qui précède ne constitue pas une garantie. Si vous avez des questions spécifiques sur la garantie, contactez le service client du fabricant pour obtenir des informations et des limitations sur la garantie.



# Instrucciones de instalación de gabinetes pared y base

**PRECAUCIÓN:** Nunca utilice clavos para montar los gabinetes. El uso de clavos puede anular la garantía de fábrica, escrita o implícita.

## Herramientas necesarias:

- Cinta métrica
- Lápiz
- Taladrar con broca de 3/32"
- Buscador de estudios
- Abrazaderas
- Destornillador Phillips y broca para taladro
- Nivel
- Cuadrado

## Materiales necesitados:

- Cuñas de madera
- Tornillos para madera con cabeza plana o moldurada de 2 1/2"
- Tornillos para madera de cabeza plana o de moldura de 2" y broca para taladro (utilizada SÓLO para DC2430)
- Tornillos para madera con cabeza de arandela redonda de 2 1/2"



## Antes de comenzar la instalación

Estas instrucciones están destinadas a ser una referencia complementaria para quienes tienen las habilidades y la experiencia adecuadas para instalar gabinetes de manera segura y exitosa, incluida la familiaridad con los principios básicos de carpintería y el uso seguro y adecuado de herramientas. El marco y la construcción de las paredes pueden variar mucho y es posible que estas instrucciones no describan todos los métodos de construcción. Además, puede haber líneas eléctricas, de plomería, de gas u otros servicios públicos detrás de la pared, por lo que se debe evitar el contacto durante la instalación. Si por algún motivo después de leer estas instrucciones no se siente seguro de poder instalar este gabinete de manera segura y exitosa, comuníquese con un contratista autorizado para realizar la instalación. MasterBrand Cabinets no es responsable de una instalación incorrecta o daños a la propiedad.

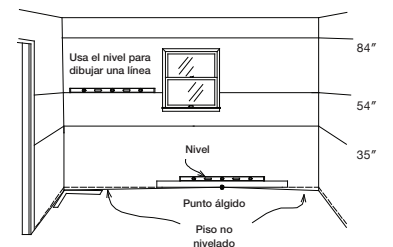
**ADVERTENCIA:** Las líneas eléctricas, de plomería, de gas y otros servicios públicos con frecuencia se instalan o incrustan detrás de las paredes donde se instalan los gabinetes. Antes de perforar agujeros o colocar tornillos, asegúrese de no hacer contacto con ninguna de estas utilidades. El incumplimiento de estas instrucciones puede provocar daños a la propiedad y lesiones graves o mortales. Si no confía en su capacidad para garantizar que no entrará en contacto con los servicios públicos detrás de una pared durante la instalación, comuníquese con un contratista autorizado para instalar los gabinetes.

## Paso 1: Inspeccionar gabinetes nuevos

Todos los gabinetes se someten a inspecciones de calidad antes de salir de fábrica y se empaquetan cuidadosamente para evitar daños durante el envío y la manipulación. Desafortunadamente, ocasionalmente pueden ocurrir daños en el manejo entre la fábrica y el destino final. Inspeccione cada gabinete cuidadosamente. Si descubre daños, vuelva a colocar el gabinete en la caja y notifique al minorista sobre la compra.

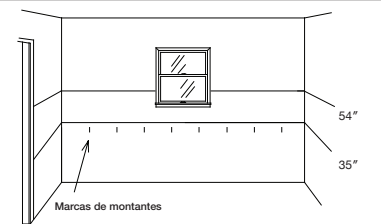
## Paso 2: Determinar la ubicación del gabinete

Retire el zócalo y otros objetos en el área de la pared donde se instalarán los gabinetes. Usando una regla y un nivel, encuentre el punto alto en el piso donde se instalarán los gabinetes. Desde el punto alto, marque una línea horizontal nivelada en cada pared donde se colocarán los gabinetes. Desde las líneas de nivel, marque otra línea horizontal paralela de 84" para las alturas de los gabinetes bajos, altos y de pared se ubicará en estas marcas.



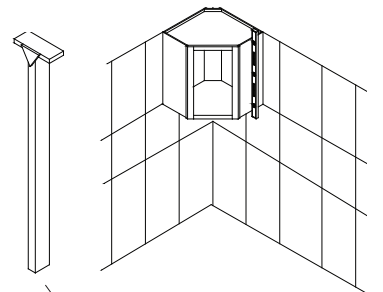
## Paso 3: Prepárese para la instalación del gabinete

Ubique los montantes con un detector de montantes y marque dónde se instalarán los gabinetes. Retire todas las puertas, cajones y estantes ajustables de los gabinetes antes de la instalación. Esto reducirá el peso y permitirá un acceso más fácil durante la instalación.



## Paso 4: Comience la instalación del gabinete

Comience a instalar los gabinetes de pared en la esquina (si corresponde). Coloque el gabinete de pared en la línea de referencia predeterminada. Se recomienda utilizar un soporte (ejemplo: soporte en T) para ayudar a mantener los gabinetes de pared en su lugar. Mida desde la esquina hasta la primera marca del montante de la pared. Transfiera esta medida al interior del gabinete esquinero de pared. Marque la ubicación del siguiente montante de pared. Taladre a través del gabinete de pared hasta los montantes de pared preubicados con una broca de 3/32" de diámetro y aproximadamente 2" de profundidad. Los orificios deben ubicarse a 2" hacia abajo desde la parte superior interior del gabinete, pero no deben acercarse a menos de 2" de cualquier borde vertical interior del gabinete. Las paredes de cemento, bloques, ladrillos o tejas requerirán anclajes para tornillos o pernos de palanca. Estos deberán comprarse por separado si es necesario. Inserte los tornillos con cabeza de arandela redonda de 2 1/2" en los orificios hasta que estén casi apretados. No apriete los tornillos hasta que se haya completado toda la nivelación final y las cuñas según sea necesario. Verifique el frente, los lados y la parte inferior de todos los gabinetes de pared con un nivel. Después del gabinete está nivelado y a plomo, apriete los tornillos de instalación.

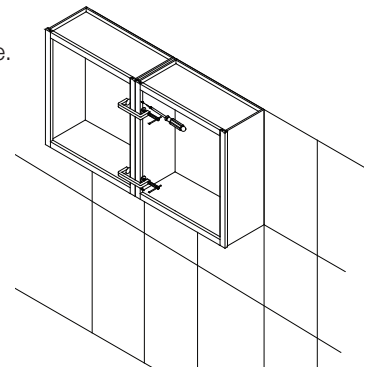


Ejemplo de aparato ortopédico utilizado para ayudar en la instalación. gabinetes de pared. Se muestra una abrazadera en T hecha de desecho los 2x4 y 1x4. Coloca un trozo de chatarra alfombra sobre 1x4 para proteger el gabinete.

## Paso 5: Instalación completa del gabinete de pared

Continúe con la instalación del gabinete de pared colocando el siguiente gabinete en la pared en la referencia predeterminada, usando abrazaderas para sujetar firmemente los marcos frontales del gabinete. Tenga cuidado de alinear los bordes horizontales inferiores. Con una broca de 3/32", taladre orificios iniciales a través de los marcos frontales cerca de la parte superior e inferior. Inserte y apriete los tornillos. (Nota: utilice tornillos para madera de cabeza plana o de moldura de 2" si instala el gabinete DC2430). Revise el gabinete con un nivel en el frente, los lados y la parte inferior del gabinete. Calce donde sea necesario. Una vez que el gabinete esté nivelado y aplomado, apriete todos los tornillos de instalación y retire las abrazaderas. Continúe instalando el resto de sus gabinetes de pared de la misma manera.

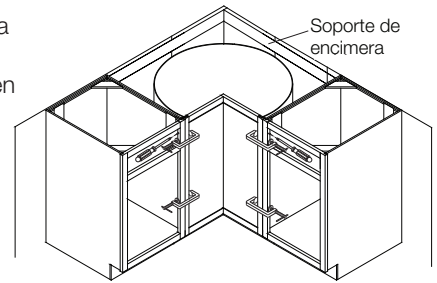
**NOTA:** Si instala un gabinete de pared simple, siga las instrucciones que se muestran en el Paso 9 para una instalación adecuada.



## Paso 6: Comience la instalación del gabinete base

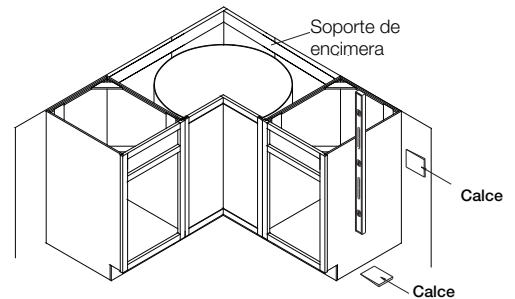
Una vez instalados los armarios de pared, se pueden instalar los armarios bajos. Comience a instalar los gabinetes bajos en la esquina (si corresponde). Usando las abrazaderas, alinee y una los gabinetes en los marcos frontales. Asegúrese de que los marcos de la cara se alineen tanto en la cara como verticalmente. Siga el paso 5 para colocar los marcos faciales.

**NOTA:** Para los gabinetes Lazy Susan, se deben agregar soportes para la encimera como se muestra.



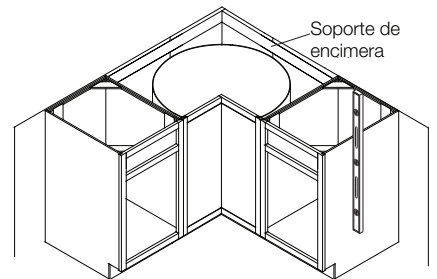
## Paso 7: Gabinetes de base nivelados

Revise el gabinete, asegurándose de que esté nivelado y aplomado. Calce para rellenar áreas irregulares entre el piso y la base del gabinete, y entre la pared y la parte posterior del gabinete. No realizar este paso podría provocar daños al gabinete. Taladre a través del gabinete hasta los montantes de pared previamente ubicados con una broca de 3/32" de diámetro y aproximadamente 2" de profundidad. El orificio no debe acercarse a menos de 2" de cualquier borde vertical interior del gabinete.



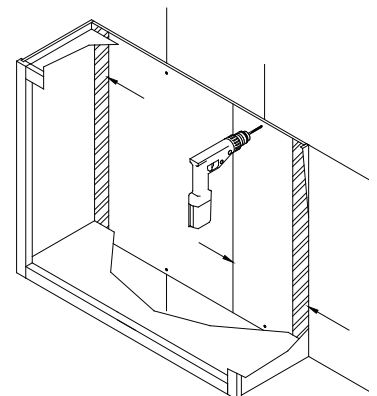
## Paso 8: Completa la instalación del gabinete base

Inserte los tornillos con cabeza de arandela redonda de 2 1/2" en los orificios hasta que estén casi apretados. Asegúrese de que la parte posterior esté completamente apoyada con cuñas según sea necesario y que no se doble en ninguna imperfección de la pared. Asegúrese de que el gabinete esté nivelado y aplomado y ajústelo según sea necesario. Apriete los tornillos completamente y vuelva a verificar que los gabinetes estén nivelados y aplomados.



## Paso 9: instale gabinetes de pared simple

Siga los pasos 2 y 3 para preparar la pared para el gabinete individual. El gabinete debe ubicarse en la pared, de modo que los montantes preubicados que se usarán para la fijación no caigan dentro de 2" de los bordes verticales interiores del gabinete. Asegúrese de que el gabinete esté nivelado y aplomado y coloque cuñas para llenar las áreas irregulares entre la pared y la parte posterior del gabinete. De lo contrario, podría dañar el gabinete. Preste mucha atención a las ubicaciones donde el gabinete se unirá a la pared, asegurándose de que no queden espacios vacíos. Perfore a través de la parte posterior del gabinete o rieles para colgar, en montantes preubicados usando una broca de 3/32" de diámetro y 2" de profundidad en un mínimo de 4 lugares. Los orificios no deben estar a menos de 2" ni a más de 12" de cualquier borde vertical interior. Los orificios también deben ubicarse en la parte superior e inferior de la parte posterior. Se requiere el uso de tornillos con cabeza de arandela redonda de 2 1/2". Las paredes de cemento, bloques, ladrillos o azulejos requerirán anclajes para los tornillos. Estos deberán comprarse por separado si es necesario. Inserte los tornillos en los orificios hasta que estén casi apretados. Asegúrese de que la parte posterior del gabinete esté completamente apoyada con cuñas según sea necesario y que no se doble con ninguna imperfección encontrada en la pared. Confirme que el gabinete esté nivelado y aplomado, ajústelo según sea necesario. Apriete los tornillos y vuelva a verificar que el gabinete esté nivelado y aplomado.



**IMPORTANTE:** Las modificaciones estructurales de un gabinete de pared pueden debilitarlo significativamente. Por este motivo, no se recomiendan modificaciones, como cortar la parte posterior para despejar las obstrucciones de la pared. Si existe una obstrucción, le sugerimos que primero intente utilizar gabinetes que no requieran modificaciones. Si se requiere una modificación, la garantía del gabinete quedará anulada y es responsabilidad del instalador tomar las medidas adecuadas para compensar cualquier pérdida de resistencia o soporte debido a la modificación.

## Paso 10: Completar la instalación y alineación

Una vez que los gabinetes estén instalados de manera segura en las paredes, reinstale todas las puertas, cajones y estantes ajustables. A continuación, verifique que cada puerta y cajón estén alineados correctamente.

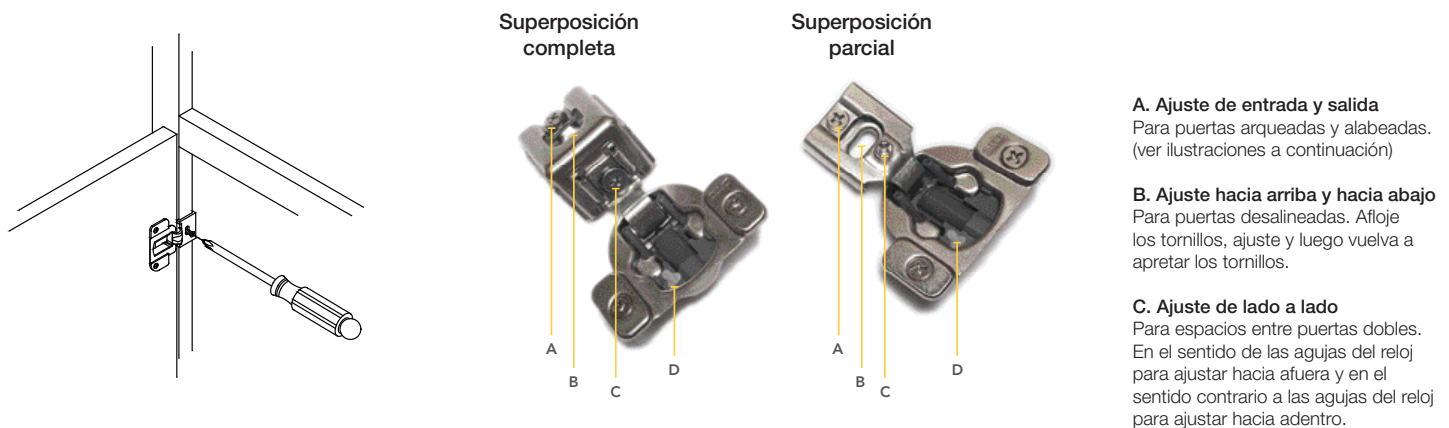
Ejemplo: si el frente del cajón no queda al ras contra el marco frontal, verifique que el gabinete esté nivelado, tanto horizontal como verticalmente. Puede que también sea necesario realinear las guías del cajón. Las guías del cajón se pueden ajustar de lado a lado moviendo el miembro deslizante con la mano y haciendo los ajustes necesarios hasta que el cajón quede al ras contra el marco frontal del gabinete.

**IMPORTANTE:** Todas las puertas y frentes de cajones deben estar alineados antes de la instalación de los accesorios decorativos.

## Cuidado y mantenimiento del gabinete

### Ajuste de bisagra de 6 vías

Las bisagras se pueden ajustar fácilmente “hacia arriba y hacia abajo” aflojando los tornillos de las bisagras fijados al marco frontal. Deslice la puerta hacia arriba o hacia abajo hasta que quede alineada y apriete los tornillos. Las bisagras también se pueden ajustar “de lado a lado” y “hacia adentro y hacia afuera”. Consulte a continuación para obtener detalles sobre los ajustes.



### Guía de solución de problemas: problemas que puede solucionar

Aunque sus gabinetes deben pasar estrictos procedimientos de inspección de calidad, surgen irregularidades como resultado de los procedimientos de envío y manipulación. Además, ciertos errores durante el proceso de instalación pueden causar problemas que no son culpa del fabricante del gabinete. A continuación se enumeran varias condiciones y causas, así como remedios para esas situaciones.

Problema	Causa posible	Solución
Las puertas de los gabinetes no se alinean verticalmente (arriba y abajo).	Una bisagra está torcida o el gabinete está desalineado o "atornillado".	Asegúrese de que el gabinete esté a plomo y nivelado. Ajuste las bisagras de la puerta.
Puertas dobles en armario de pared o bajo no haga fila.	Esto podría ser el resultado de una instalación incorrecta del gabinete. El gabinete está desalineado y no está nivelado y escuadrado (a plomo).	Afloje el gabinete de la pared y use cuñas para cuadrarlo adecuadamente. Ajuste las bisagras de la puerta.
Espacio entre los dos contiguos. Las puertas son demasiado grandes.	Una bisagra está desajustada.	Ajuste las bisagras de la puerta.
El cajón del gabinete no cierra uniformemente.	La alineación de los cajones es deficiente.	Ajuste manualmente la guía del cajón.

### Limpieza de gabinetes: interior

Los interiores de los gabinetes tienen una superficie laminada recubierta de uretano que resiste raspaduras, daños y los derrames domésticos más comunes. Limpiar con un paño húmedo o una esponja. Para residuos de comida o grasa, use agua tibia mezclada con un líquido lavavajillas suave para limpiar. 5% de líquido lavavajillas y 95% de agua es una buena proporción. Seque bien. Para evitar daños permanentes, es importante limpiar el derrame y secar la superficie inmediatamente.

### **Limpieza de gabinetes: exterior - gabinetes de madera**

Los exteriores de madera se fabrican con un acabado de calidad que protege la madera. Se recomienda una limpieza mensual. Limpie la superficie de los gabinetes con un paño limpio y húmedo y séquelos con otro paño limpio. Para suciedad o grasa general, use agua tibia mezclada con un líquido lavavajillas suave para limpiar. 5% de líquido lavavajillas y 95% de agua es una buena proporción. Seque bien. El exceso de humedad puede dañar el acabado de cualquier gabinete; Las áreas cercanas al fregadero, la estufa, el lavavajillas, el horno y los zócalos son las más susceptibles y deben mantenerse secas. No se recomienda el encerado y, con el tiempo, los compuestos de encerado y pulido pueden acumularse en las superficies del gabinete, formando una apariencia borrosa, rayada o amarillenta.

### **Limpieza de gabinetes: exterior – laminado**

Los gabinetes laminados tienen una superficie de PVC duradero de color, lo que permite años de uso y belleza excepcionales. Se recomienda una limpieza mensual, siguiendo el mismo procedimiento descrito para exteriores de madera.

***PRECAUCIÓN: Evite el uso de limpiadores que contengan lejía, amoníaco, productos a base de cítricos o cualquier tipo de abrasivos (consulte la etiqueta del limpiador). Estos limpiadores pueden dañar el acabado de su gabinete.***

### **Características de la madera**

Las maderas auténticas varían en color y marcas de carácter, como vetas, nudos y patrones de vetas. Dado que los tintes de acabado pueden atraer de manera diferente estos patrones de vetas, pueden aparecer algunas áreas claras y oscuras. La belleza reside en estas variaciones naturales de color y vetas que dan a cada mueble su encanto individual. Con el tiempo, pueden ocurrir cambios en el color del acabado. Debido a un proceso de envejecimiento natural, el acabado también puede “profundizarse” con el tiempo, oscureciendo el color de la madera o creando un efecto de “sombra” donde las puertas se superponen al marco. Debido a estas pequeñas diferencias de tono, es posible que no sea posible igualar exactamente el color del acabado de los gabinetes existentes al reemplazar puertas o agregar gabinetes en una fecha posterior. Los acabados y esmaltes más claros y naturales resaltan las cualidades inherentes de la madera genuina para crear un producto verdaderamente hermoso. Para construir sus gabinetes, solo se han utilizado maderas sólidas y enchapadas de madera seleccionadas. La belleza de estas maderas genuinas reside en las variaciones de color y veta. Pueden verse matices de blanco, rojo, negro, amarillo e incluso verde. Las vetas minerales también pueden contribuir a la apariencia distintiva, reflejando la “historia de vida” del árbol, ya que absorbe minerales de manera diferente de un área a otra. La veta y la textura aparente pueden variar desde uniformes y consistentes hasta variadas y dramáticas. Estas variaciones naturales dan como resultado marcas de carácter únicas en gabinetes adyacentes, en pares de puertas e incluso dentro del mismo panel. Estas variaciones también pueden aparecer en los bordes de las puertas de madera donde los núcleos de madera maciza están expuestos en ciertos estilos. Se señalan estas características únicas de la madera para recordarle que cada pieza es diferente. El efecto variado, más claramente evidente en el acabado natural, puede ser diferente en una cocina completa del representado por un expositor más pequeño o una muestra de acabado. Ni nosotros, el fabricante ni su distribuidor, podemos ser responsables del tipo o grado de variaciones que realmente puedan caracterizar sus gabinetes.

### **Características del laminado**

Los gabinetes laminados cuentan con puertas y frentes de cajones revestidos con PVC laminado. Estos productos también cuentan con marcos frontales construidos en madera maciza con un acabado pintado protegido con un barniz catalizado. Las maderas se expanden y contraen naturalmente con los cambios de temperatura y humedad; por lo tanto, eventualmente se pueden formar algunas grietas visibles en el área de las juntas del gabinete. Dado que las puertas y los frentes de los cajones están fabricados con materiales diferentes a los marcos frontales de madera maciza, el proceso de envejecimiento natural puede hacer que los dos materiales muestren algunas variaciones de color. Los niveles de exposición a la luz solar, el humo y los productos químicos domésticos tendrán un impacto en la variación del color.

Lo anterior no es garantía. Si tiene preguntas específicas sobre la garantía, comuníquese con el servicio de atención al cliente del fabricante para obtener información y limitaciones de la garantía.

# Tall Cabinet Installation Instructions

**CAUTION:** Never use nails to mount cabinets. The use of nails may void your factory warranty, written or implied.

## Tools Needed:

- Tape Measure
- Stud Finder
- Level
- Pencil
- Clamps
- Square
- Drill with 3/32" bit
- Phillips Head Screwdriver and drill driver bit

## Materials Needed:

- Wood Shims
- 2½" Trim Head or Flat Head Wood Screws
- 2½" Round Washer Head Wood Screws



## Before starting the installation

These instructions are intended as supplemental reference for those who have the appropriate skills and experience to safely and successfully install cabinetry, including familiarity with basic carpentry principles and safe and proper tool use. Wall framing and construction can vary greatly, and these instructions may not describe all construction methods. Also, there may be electric, plumbing, gas lines or other utilities behind the wall, for which contact must be avoided during installation. If for any reason after reading these instructions you do not feel confident in the ability to safely and successfully install this cabinetry, please contact a licensed contractor for installation. MasterBrand Cabinets is not responsible for improper installation or property damage.

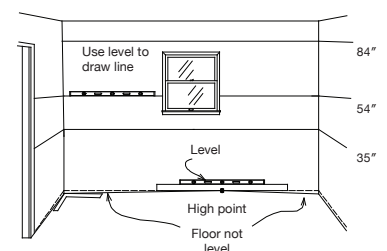
**WARNING:** Electric, plumbing, gas lines and other utilities, are frequently installed or embedded behind walls where cabinets are being installed. Before drilling any holes or driving any screws, be sure you will not be making contact with any of these utilities. Failure to follow these instructions may result in property damage and serious or fatal injury. If you do not feel confident in your ability to ensure that you will not make contact with utilities behind a wall during installation, please contact a licensed contractor to install the cabinets.

## Step 1: Inspection New Cabinets

All cabinets are subjected to quality inspections before leaving the factory, and have been carefully packaged to prevent damage during shipping and handling. Unfortunately, damage may occur occasionally in handling between the factory and the final destination. Inspect each cabinet carefully. If damage is discovered, place the cabinet back into the carton and notify retailer of purchase.

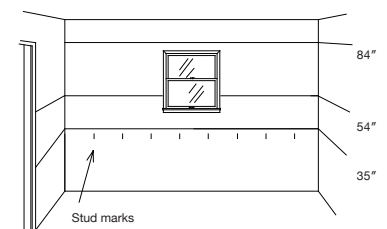
## Step 2: Determine Cabinet Placement

Remove baseboard and other objects on the wall area where the cabinets are to be installed. Using a straight edge and a level, find the high point in the floor where the cabinets are to be installed. From the high point, mark a level horizontal line on each wall where the cabinets will be attached. From the level lines, mark another parallel level horizontal line 84" for the tall cabinet heights. The top of the base, tall & wall cabinets will be located at these marks.



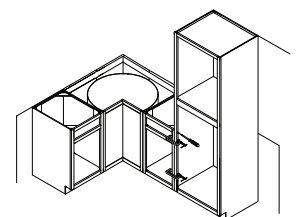
## Step 3: Prepare For Cabinet Installation

Locate the studs with a stud finder and mark where the cabinets are to be installed. Remove all the doors, drawers and adjustable shelving from the cabinets before installation. This will reduce weight and allow easier access during installation.



## Step 4: Begin Cabinet Installation

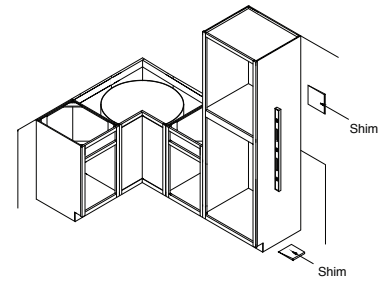
Start installing the base cabinets in the corner (if applicable). Follow the base cabinet instructions and work towards the tall cabinet unit. Using clamps, align and join the adjacent cabinets together at the face frames. Make sure that the face frames align both on the face and vertically. With a 3/32" drill bit, drill starter holes through the face frames near the top and bottom. Insert and tighten the 2½" screws.





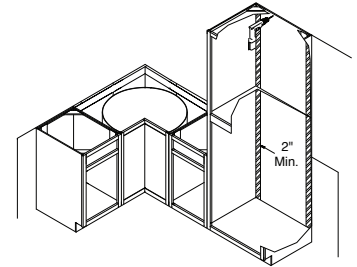
## Step 5: Level Cabinets

Check the cabinet to ensure it is level and plumb. Shim to fill uneven areas between the floor and base of the cabinet, and between the wall and the back of the cabinet. Failure to do this step could result in damage to the cabinet. Pay close attention to the areas that the cabinet will attach to the wall, making sure that the cabinet bottom is fully supported.



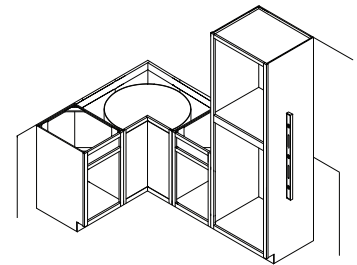
## Step 6: Prepare To Anchor Cabinets

Drill through the cabinet back into the prelocated wall studs with a 3/32" diameter drill bit, approximately 2" deep. The holes should come no closer than 2" to any inside vertical edge of the cabinet. Two screw holes should be located in the upper section of the cabinet and two in the lower section. Cement, block, brick or tile walls will require anchors for screws or toggle bolts. These will need to be purchased separately, if needed. The size of the hole will need to be sized according to those purchased anchors.



## Step 7: Anchor Cabinets To Wall

Insert the 2 1/2" round washerhead screws into the holes until they are nearly tight. Make sure the back is fully supported with shims, as needed, and does not bow into any imperfections in the wall. Ensure that the cabinet is level and plumb, adjust as needed. Tighten the screws fully and check once more to ensure the cabinet is level and plumb. Re-install the cabinet doors, drawers and shelving after all cabinets have been installed.



## Step 8: Completing The Installation And Alignment

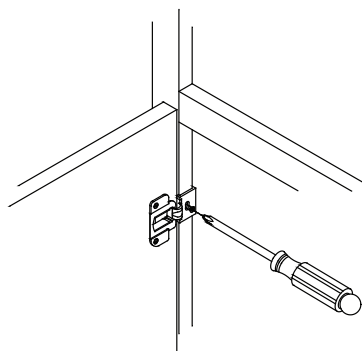
When all of the tall cabinets are securely installed to the walls, the next step is to check each door and drawer for proper alignment. If adjustments are needed, follow hinge adjustment instructions listed below.

**IMPORTANT:** All doors and drawer fronts must be aligned prior to decorative hardware installation.

## Cabinet Care And Maintenance

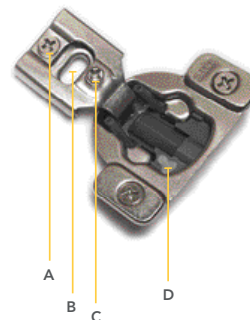
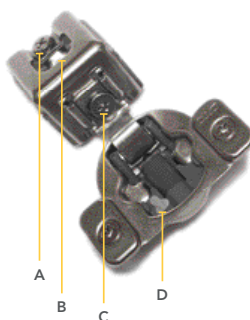
### 6-Way Hinge Adjustment

The hinges can be easily adjusted "up and down" by loosening the hinge screws attached to the face frame. Slide the door up or down until aligned and tighten the screws. The hinges can also be adjusted "side to side" and "in and out". See below for details on adjustments.



FULL OVERLAY

PARTIAL OVERLAY



#### A. In & Out Adjustment

For bowed and warped doors. (See illustrations below.)

#### B. Up & Down Adjustment

For misaligned doors. Loosen screws, adjust, then re-tighten screws.

#### C. Side to Side Adjustment

For gaps between double doors. Clockwise to adjust out, counter clockwise to adjust in.

## Troubleshooting Guide: Problems You Can Handle

Even though your cabinets must pass rigid quality inspection procedures, irregularities arise as a result of shipping and handling procedures. Also, certain errors during the installation process may cause problems that are not the fault of the cabinet manufacturer. Listed below are several conditions and causes, as well as remedies for those situations.

<i><b>Problem</b></i>	<i><b>Possible Cause</b></i>	<i><b>Solution</b></i>
Cabinet doors do not align vertically (up and down).	A hinge is twisted or the cabinet is out of alignment or "racked."	Make sure the cabinet is plumb and level. Adjust the door hinges.
Double doors on a wall or base cabinet do not line up.	This could be the result of improper cabinet installation. The cabinet is out of alignment and is not set level and square (plumb).	Loosen the cabinet from the wall and use shims to properly square up the cabinet. Adjust the door hinges.
Space between the two adjoining doors is too great.	A hinge is out of adjustment.	Adjust the door hinges.
Cabinet drawer does not close evenly.	Drawer alignment is poor.	Manually adjust the drawer guide member.

### Cabinet Cleaning: Interior

Cabinet interiors are surfaced with a urethane-coated laminate that resists scuffs, mars and most common household spills. Wipe with a damp cloth or sponge. For food residue or grease, use warm water mixed with mild dishwashing liquid to wipe clean. 5% dishwashing liquid to 95% water is a good ratio. Dry thoroughly. To avoid permanent damage, it is important to clean the spill and dry the surface immediately.

### Cabinet Cleaning: Exterior – Wood Cabinets

Wood exteriors are manufactured with a quality finish that protects the wood. Monthly cleaning is recommended. Wipe the surface of the cabinets with a clean damp cloth, and dry with another clean cloth. For general soil or grease, use warm water mixed with mild dishwashing liquid to wipe clean. 5% dishwashing liquid to 95% water is a good ratio. Dry thoroughly. Excess moisture can damage any cabinet finish; areas near the sink, range, dishwasher, oven and baseboards are the most susceptible and must be kept dry. Waxing is not recommended and over time, waxing and polishing compounds may build up on cabinet surfaces forming a hazy, streaked or yellowed appearance.

### Cabinet Cleaning: Exterior – Laminate

Laminate cabinets are surfaced with a durable PVC that is colored throughout, allowing for years of outstanding wear and beauty. Monthly cleaning is recommended, using the same procedure described for wood exteriors.

**CAUTION: Avoid using cleaners that contain bleach, ammonia, citrus based products or any type of abrasives (see cleaner label). These cleaners can cause damage to your cabinet finish.**

### Characteristics of Wood

Authentic woods vary in color and character markings such as streaks, knots and grain patterns. Since the finish stains may attract differently to these grain patterns, some light and dark areas may result. The beauty lies in these natural variations of color and grain that give each cabinet its own individual charm. Over time, changes in the finish color may occur. Because of a natural aging process, the finish can also "deepen" over time, darkening the color of the wood or creating a "shadowing" effect where doors overlap the frame. Due to these minor differences in tone, it may not be possible to match the finish color of existing cabinets exactly when replacing doors or adding cabinets at a later date. Lighter & natural finishes and glazes highlight the inherent qualities of genuine wood to create a truly beautiful product. Only select solid hardwoods and hardwood veneers have been used to construct your cabinetry. The beauty of these genuine woods lies in the variations of color and grain. Shadings of white, red, black, yellow and even green may be visible. Mineral streaks may also add to the distinctive appearance, reflecting the tree's "life history" as it absorbs minerals differently from one area to another. Grain and apparent texture may range from even and consistent to varied and dramatic. These natural variations result in unique character markings on adjacent cabinets, on pairs of doors and even within the same panel. These variations can also appear on edges of hardwood doors where solid lumber cores are exposed in certain styles. These unique characteristics of wood are pointed out to remind you that each piece is different. The varied affect, more clearly evident in the natural finish, may be different in a complete kitchen from that represented by a smaller display or finish sample. Neither we the manufacturer, nor your dealer can be responsible for the type or degree of variations which may actually characterize your cabinetry.

### Characteristics of Laminate

Laminate cabinetry features doors and drawer fronts surfaced with laminate PVC. These products also feature face frames constructed of solid wood with a painted finish protected with a catalyzed varnish. Woods naturally expand and contract with changes in temperature and humidity; therefore, some visible cracks may eventually form in the area of cabinet joints. Since the doors and drawer fronts are fabricated with different materials than the solid wood face frames, the natural aging process may cause the two materials to show some color variations. The levels of exposure to sunlight, smoke and household chemicals will all have an impact on the color variation.

The preceding is not a warranty. If you have specific warranty questions, contact the manufacturer's customer service for warranty information and limitations.

# Instructions d'installation des armoires hautes

**ATTENTION :** N'utilisez jamais de clous pour monter des armoires. L'utilisation de clous peut annuler votre garantie d'usine, écrite ou implicite.

## Outils nécessaires:

- Mètre à ruban
- Crayon
- Rechercher de goujons
- Pincés
- Niveau
- Percer avec un foret de 3/32"
- Tournevis cruciforme et foret

## Les matériaux nécessaires:

- Cales en bois
- Vis à bois à tête ronde ou à tête plate de 2 1/2 po
- Vis à bois à tête ronde de 2 1/2"



## Avant de commencer l'installation

Ces instructions sont destinées à servir de référence supplémentaire pour ceux qui possèdent les compétences et l'expérience appropriées pour installer des armoires en toute sécurité et avec succès, y compris une connaissance des principes de base de la menuiserie et une utilisation sûre et appropriée des outils. La charpente et la construction des murs peuvent varier considérablement et ces instructions peuvent ne pas décrire toutes les méthodes de construction. De plus, il peut y avoir des conduites d'électricité, de plomberie, de gaz ou d'autres services publics derrière le mur, pour lesquels tout contact doit être évité lors de l'installation. Si, pour une raison quelconque, après avoir lu ces instructions, vous n'êtes pas sûr de votre capacité à installer cette armoire avec succès et en toute sécurité, veuillez contacter un entrepreneur agréé pour l'installation. MasterBrand Cabinets n'est pas responsable d'une mauvaise installation ou de dommages matériels.

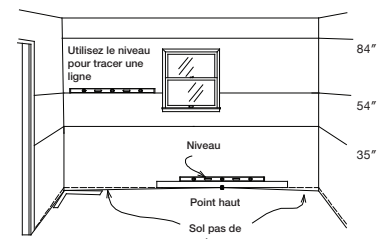
**AVERTISSEMENT :** Les conduites d'électricité, de plomberie, de gaz et autres services publics sont fréquemment installés ou encastrés derrière les murs où les armoires sont installées. Avant de percer des trous ou d'enfoncer des vis, assurez-vous que vous n'entrez en contact avec aucun de ces utilitaires. Le non-respect de ces instructions peut entraîner des dommages matériels et des blessures graves, voire mortelles. Si vous n'êtes pas sûr de votre capacité à garantir que vous n'entrez pas en contact avec les services publics derrière un mur pendant l'installation, veuillez contacter un entrepreneur agréé pour installer les armoires.

## Étape 1 : Inspection des nouvelles armoires

Toutes les armoires sont soumises à des contrôles de qualité avant de quitter l'usine et ont été soigneusement emballées pour éviter tout dommage pendant le transport et la manutention. Malheureusement, des dommages peuvent survenir occasionnellement lors de la manutention entre l'usine et la destination finale. Inspectez soigneusement chaque armoire. Si des dommages sont découverts, remettez l'armoire dans le carton et informez le détaillant de l'achat.

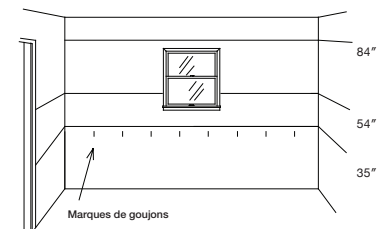
## Étape 2 : Déterminer l'emplacement du cabinet

Retirez les plinthes et autres objets sur la zone du mur où les armoires doivent être installées. À l'aide d'une règle droite et d'un niveau, trouvez le point haut du sol où les armoires doivent être installées. À partir du point haut, tracez une ligne horizontale de niveau sur chaque mur où les armoires seront fixées. À partir des lignes de niveau, marquez une autre ligne horizontale parallèle de 84 po pour les hauteurs des armoires hautes. Le haut des armoires de base, hautes et murales sera situé à ces marques.



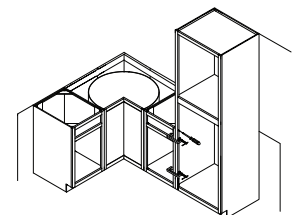
## Étape 3 : Préparez-vous à l'installation de l'armoire

Localisez les montants avec un détecteur de montants et marquez l'endroit où les armoires doivent être installées. Retirez toutes les portes, tiroirs et étagères réglables des armoires avant l'installation. Cela réduira le poids et permettra un accès plus facile lors de l'installation.



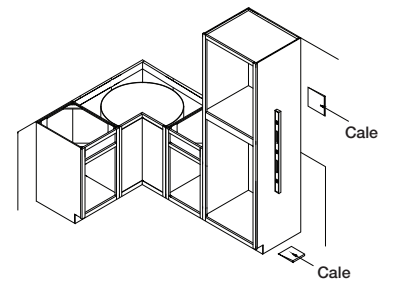
## Étape 4 : Commencer l'installation de l'armoire

Commencez à installer les armoires inférieures dans le coin (le cas échéant). Suivez les instructions du meuble bas et avancez vers le meuble haut. À l'aide de pincés, alignez et joignez les armoires adjacentes au niveau des cadres avant. Assurez-vous que les cadres du visage sont alignés à la fois sur le visage et verticalement. Avec un foret de 3/32", percez des trous de départ à travers les cadres de façade près du haut et du bas. Insérez et serrez les vis de 2 1/2".



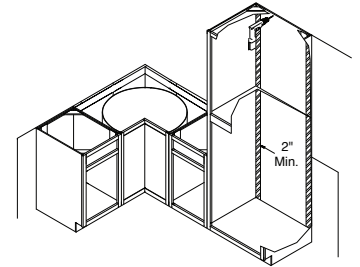
## Étape 5 : Armoires de niveau

Vérifiez l'armoire pour vous assurer qu'elle est de niveau et d'aplomb. Cale pour combler les zones inégales entre le sol et la base de l'armoire, ainsi qu'entre le mur et l'arrière de l'armoire. Le non-respect de cette étape pourrait entraîner des dommages au boîtier. Portez une attention particulière aux zones que l'armoire sera fixée au mur, en vous assurant que le bas de l'armoire est entièrement soutenu.



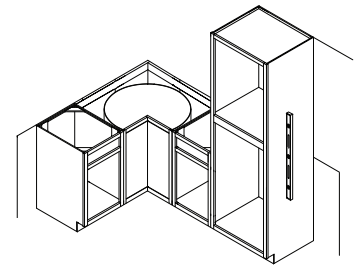
## Étape 6 : Préparez-vous à ancrer les armoires

Percez l'armoire dans les montants muraux prélocalisés avec un foret de 3/32" de diamètre, environ 2" de profondeur. Les trous ne doivent pas s'approcher à moins de 2" de tout bord vertical intérieur de l'armoire. Deux trous de vis doivent être situés dans la partie supérieure de l'armoire et deux dans la partie inférieure. Les murs en ciment, en blocs, en brique ou en carrelage nécessiteront des ancrages pour les vis ou les boulons à bascule. Ceux-ci devront être achetés séparément, si nécessaire. La taille du trou devra être dimensionnée en fonction des ancrages achetés.



## Étape 7 : Ancrer les armoires au mur

Insérez les vis à tête ronde de 2 1/2" dans les trous jusqu'à ce qu'elles soient presque serrées. Assurez-vous que le dossier est entièrement soutenu par des cales, si nécessaire, et qu'il ne s'incline pas dans les imperfections du mur. Assurez-vous que l'armoire est de niveau et d'aplomb, ajustez-la si nécessaire. Serrez complètement les vis et vérifiez une fois de plus que l'armoire est de niveau et d'aplomb. Réinstallez les portes des armoires, les tiroirs et les étagères une fois que toutes les armoires ont été installées.



## Étape 8 : Terminer l'installation et l'alignement

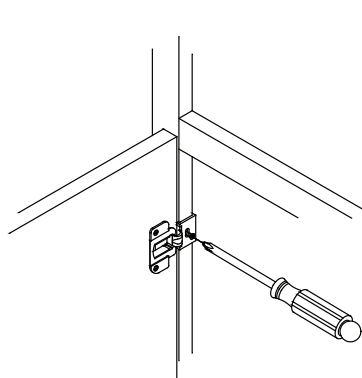
Lorsque toutes les armoires hautes sont solidement installées sur les murs, l'étape suivante consiste à vérifier le bon alignement de chaque porte et tiroir. Si des ajustements sont nécessaires, suivez les instructions de réglage des charnières répertoriées ci-dessous.

**IMPORTANT :** Toutes les portes et façades de tiroirs doivent être alignées avant l'installation de la quincaillerie décorative.

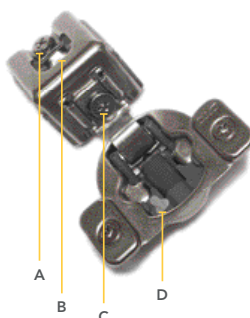
## Entretien et maintenance des armoires

### Réglage de la charnière à 6 voies

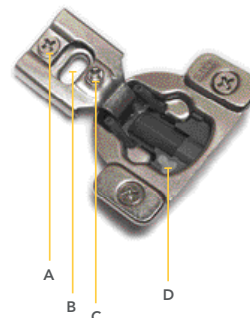
Les charnières peuvent être facilement ajustées « de haut en bas » en desserrant les vis de charnière fixées au cadre facial. Faites glisser la porte vers le haut ou vers le bas jusqu'à ce qu'elle soit alignée et serrez les vis. Les charnières peuvent également être ajustées « d'un côté à l'autre » et « de l'intérieur et de l'extérieur ». Voir ci-dessous pour plus de détails sur les ajustements.



Superposition complète



Superposition partielle



**A. Ajustement d'entrée et de sortie**  
Pour portes courbées et déformées.  
(voir illustrations ci-dessous)

**B. Ajustement haut et bas**  
Pour portes mal alignées. Desserrez les vis, ajustez, puis resserrez les vis.

**C. Réglage latéral**  
Pour les espaces entre les portes doubles. Dans le sens des aiguilles d'une montre pour régler, dans le sens inverse des aiguilles d'une montre pour régler.

## Guide de dépannage : problèmes que vous pouvez gérer

Même si vos armoires doivent passer des procédures strictes d'inspection de qualité, des irrégularités surviennent en raison des procédures d'expédition et de manutention. De plus, certaines erreurs lors du processus d'installation peuvent entraîner des problèmes qui ne sont pas la faute du fabricant de l'armoire. Vous trouverez ci-dessous plusieurs conditions et causes, ainsi que des solutions à ces situations.

<b>Problème</b>	<b>Cause possible</b>	<b>Solution</b>
Les portes des armoires ne s'alignent pas verticalement (haut et bas).	Une charnière est tordue ou l'armoire est mal alignée ou « en rack ».	Assurez-vous que l'armoire est d'aplomb et de niveau. Ajustez les charnières de la porte.
Portes doubles sur un meuble mural ou un meuble bas ne faites pas la queue.	Cela pourrait être le résultat d'une mauvaise installation de l'armoire. L'armoire n'est pas alignée et n'est pas réglée de niveau ni d'équerre (aplomb).	Détachez l'armoire du mur et utilisez des cales pour bien aligner l'armoire. Ajustez les charnières de la porte.
Espace entre les deux adjacents les portes sont trop grandes.	Une charnière est mal ajustée.	Ajustez les charnières de la porte.
Le tiroir de l'armoire ne se ferme pas uniformément.	L'alignement des tiroirs est mauvais.	Ajustez manuellement l'élément de guidage du tiroir.

### Nettoyage d'armoires : intérieur

Les intérieurs des armoires sont recouverts d'un stratifié enduit d'uréthane qui résiste aux éraflures, aux mars et aux déversements domestiques les plus courants. Essuyer avec un chiffon ou une éponge humide. Pour les résidus alimentaires ou la graisse, utilisez de l'eau tiède mélangée à du liquide vaisselle doux pour essuyer. 5 % de liquide vaisselle pour 95 % d'eau est un bon rapport. Séchez soigneusement. Pour éviter des dommages permanents, il est important de nettoyer le déversement et de sécher la surface immédiatement.

### Nettoyage d'armoires : Extérieur – Armoires en bois

Les extérieurs en bois sont fabriqués avec une finition de qualité qui protège le bois. Un nettoyage mensuel est recommandé. Essuyez la surface des armoires avec un chiffon propre et humide et séchez avec un autre chiffon propre. Pour les salissures ou la graisse en général, utilisez de l'eau tiède mélangée à du liquide vaisselle doux pour essuyer. 5 % de liquide vaisselle pour 95 % d'eau est un bon rapport. Séchez soigneusement. Un excès d'humidité peut endommager la finition de n'importe quelle armoire ; les zones proches de l'évier, de la cuisinière, du lave-vaisselle, du four et des plinthes sont les plus sensibles et doivent être gardées sèches. Le cirage n'est pas recommandé et, avec le temps, les composés de cirage et de polissage peuvent s'accumuler sur les surfaces des armoires, formant un aspect trouble, strié ou jauni.

### Nettoyage d'armoires : Extérieur – Stratifié

Les armoires en stratifié sont recouvertes d'un PVC durable entièrement coloré, permettant des années d'usure et de beauté exceptionnelles. Un nettoyage mensuel est recommandé, en utilisant la même procédure décrite pour les extérieurs en bois.

**ATTENTION : Évitez d'utiliser des nettoyants contenant de l'eau de Javel, de l'ammoniaque, des produits à base d'agrumes ou tout type d'abrasifs (voir l'étiquette du nettoyant). Ces nettoyants peuvent endommager la finition de votre armoire.**

### Caractéristiques du bois

Les bois authentiques varient en couleur et en marques de caractère telles que des stries, des nœuds et des motifs de grain. Étant donné que les taches de finition peuvent attirer différemment ces motifs de grain, des zones claires et sombres peuvent en résulter. La beauté réside dans ces variations naturelles de couleur et de grain qui confèrent à chaque armoire son propre charme. Au fil du temps, des changements dans la couleur de finition peuvent survenir. En raison d'un processus naturel de vieillissement, la finition peut également « s'approfondir » avec le temps, assombrissant la couleur du bois ou créant un effet « d'ombre » là où les portes chevauchent le cadre. En raison de ces différences mineures de ton, il pourrait ne pas être possible d'assortir exactement la couleur de finition des armoires existantes lors du remplacement des portes ou de l'ajout d'armoires ultérieurement. Les finitions et vernis plus légers et naturels mettent en valeur les qualités inhérentes du bois véritable pour créer un produit vraiment magnifique. Seuls des bois durs massifs et des placages de bois dur sélectionnés ont été utilisés pour construire vos armoires. La beauté de ces bois véritables réside dans les variations de couleur et de grain. Des nuances de blanc, rouge, noir, jaune et même vert peuvent être visibles. Des stries minérales peuvent également ajouter à l'apparence distinctive, reflétant « l'histoire de vie » de l'arbre, car il absorbe les minéraux différemment d'une zone à l'autre. Le grain et la texture apparente peuvent varier de uniformes et cohérents à variés et spectaculaires. Ces variations naturelles se traduisent par des marquages de caractère uniques sur les armoires adjacentes, sur les paires de portes et même au sein d'un même panneau. Ces variations peuvent également apparaître sur les bords des portes en bois dur où les âmes en bois massif sont exposées dans certains styles. Ces caractéristiques uniques du bois sont soulignées pour vous rappeler que chaque pièce est différente. L'effet varié, plus clairement évident dans la finition naturelle, peut être différent dans une cuisine complète de celui représenté par un présentoir ou un échantillon de finition plus petit. Ni nous, le fabricant, ni votre revendeur ne pouvons être responsables du type ou du degré de variations qui peuvent réellement caractériser vos armoires.

### Caractéristiques du stratifié

Les armoires en stratifié comportent des portes et des façades de tiroirs recouvertes de PVC stratifié. Ces produits comportent également des cadres en bois massif avec une finition peinte protégée par un vernis catalysé. Les bois se dilatent et se contractent naturellement avec les changements de température et d'humidité ; par conséquent, des fissures visibles peuvent éventuellement se former au niveau des joints des armoires. Étant donné que les portes et les façades de tiroirs sont fabriquées avec des matériaux différents de ceux des cadres en bois massif, le processus de vieillissement naturel peut entraîner des variations de couleur entre les deux matériaux. Les niveaux d'exposition au soleil, à la fumée et aux produits chimiques ménagers auront tous un impact sur la variation de couleur.

Ce qui précède ne constitue pas une garantie. Si vous avez des questions spécifiques sur la garantie, contactez le service client du fabricant pour obtenir des informations et des limitations sur la garantie.



# Instrucciones de instalación de gabinetes altos

**PRECAUCIÓN:** Nunca utilice clavos para montar los gabinetes. El uso de clavos puede anular la garantía de fábrica, escrita o implícita.

## Herramientas necesarias:

- Cinta métrica
- Lápiz
- Taladrar con broca de 3/32"
- Buscador de estudios
- Abrazaderas
- Destornillador Phillips y broca para taladro
- Nivel
- Cuadrado

## Materiales necesitados:

- Cuñas de madera
- Tornillos para madera con cabeza plana o moldurada de 2 1/2"
- Tornillos para madera con cabeza de arandela redonda de 2 1/2"



## Antes de comenzar la instalación

Estas instrucciones están destinadas a ser una referencia complementaria para quienes tienen las habilidades y la experiencia adecuadas para instalar gabinetes de manera segura y exitosa, incluida la familiaridad con los principios básicos de carpintería y el uso seguro y adecuado de herramientas. El marco y la construcción de las paredes pueden variar mucho y es posible que estas instrucciones no describan todos los métodos de construcción. Además, puede haber líneas eléctricas, de plomería, de gas u otros servicios públicos detrás de la pared, por lo que se debe evitar el contacto durante la instalación. Si por algún motivo después de leer estas instrucciones no se siente seguro de poder instalar este gabinete de manera segura y exitosa, comuníquese con un contratista autorizado para realizar la instalación. MasterBrand Cabinets no es responsable de una instalación incorrecta o daños a la propiedad.

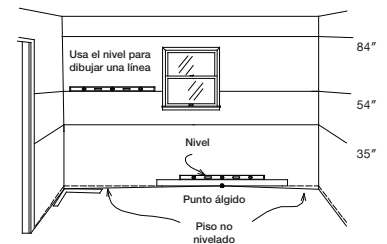
**ADVERTENCIA:** Las líneas eléctricas, de plomería, de gas y otros servicios públicos con frecuencia se instalan o incrustan detrás de las paredes donde se instalan los gabinetes. Antes de perforar agujeros o colocar tornillos, asegúrese de no hacer contacto con ninguna de estas utilidades. El incumplimiento de estas instrucciones puede provocar daños a la propiedad y lesiones graves o mortales. Si no confía en su capacidad para garantizar que no entrará en contacto con los servicios públicos detrás de una pared durante la instalación, comuníquese con un contratista autorizado para instalar los gabinetes.

## Paso 1: Inspeccionar gabinetes nuevos

Todos los gabinetes se someten a inspecciones de calidad antes de salir de fábrica y se empaquetan cuidadosamente para evitar daños durante el envío y la manipulación. Desafortunadamente, ocasionalmente pueden ocurrir daños en el manejo entre la fábrica y el destino final. Inspeccione cada gabinete cuidadosamente. Si descubre daños, vuelva a colocar el gabinete en la caja y notifique al minorista sobre la compra.

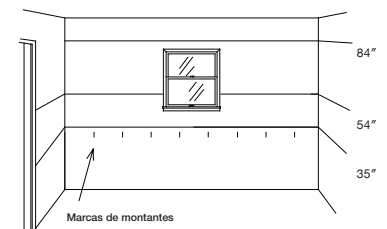
## Paso 2: Determinar la ubicación del gabinete

Retire el zócalo y otros objetos en el área de la pared donde se instalarán los gabinetes. Usando una regla y un nivel, encuentre el punto alto en el piso donde se instalarán los gabinetes. Desde el punto alto, marque una línea horizontal nivelada en cada pared donde se colocarán los gabinetes. Desde las líneas de nivel, marque otra línea horizontal paralela de 84" para las alturas de los gabinetes altos. La parte superior de los gabinetes bajos, altos y de pared se ubicará en estas marcas.



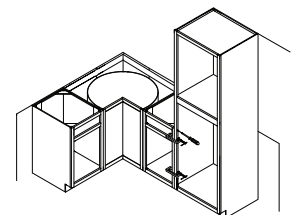
## Paso 3: Prepárese para la instalación del gabinete

Ubique los montantes con un detector de montantes y marque dónde se instalarán los gabinetes. Retire todas las puertas, cajones y estantes ajustables de los gabinetes antes de la instalación. Esto reducirá el peso y permitirá un acceso más fácil durante la instalación.



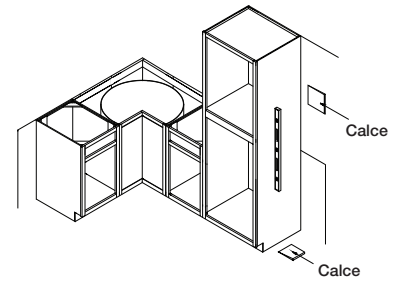
## Paso 4: Comience la instalación del gabinete

Comience a instalar los gabinetes bajos en la esquina (si corresponde). Siga las instrucciones del gabinete base y avance hacia el gabinete alto. Usando abrazaderas, alinee y una los gabinetes adyacentes en los marcos frontales. Asegúrese de que los marcos de la cara se alineen tanto en la cara como verticalmente. Con una broca de 3/32", taladre orificios iniciales a través de los marcos frontales cerca de la parte superior e inferior. Inserte y apriete los tornillos de 2 1/2".



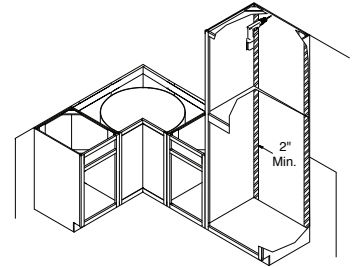
## Paso 5: Gabinetes nivelados

Revise el gabinete para asegurarse de que esté nivelado y aplomado. Calce para rellenar áreas irregulares entre el piso y la base del gabinete, y entre la pared y la parte posterior del gabinete. No realizar este paso podría provocar daños al gabinete. Preste mucha atención a las áreas en las que el gabinete se unirá a la pared, asegurándose de que la parte inferior del gabinete esté completamente apoyada.



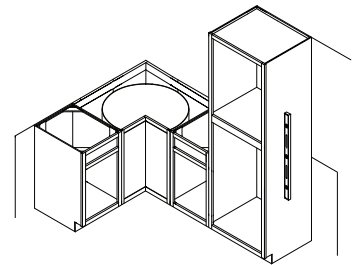
## Paso 6: Prepárese para anclar los gabinetes

Taladre a través del gabinete hasta los montantes de la pared preubicados con una broca de 3/32" de diámetro y aproximadamente 2" de profundidad. Los orificios no deben estar a menos de 2" de cualquier borde vertical interior del gabinete. Deben ubicarse dos orificios para tornillos en la sección superior del gabinete y dos en la sección inferior. Las paredes de cemento, bloques, ladrillos o tejas requerirán anclajes para tornillos o pernos de palanca. Estos deberán comprarse por separado, si es necesario. El tamaño del orificio deberá dimensionarse de acuerdo con los anclajes adquiridos.



## Paso 7: Anclar los gabinetes a la pared

Inserte los tornillos con cabeza de arandela redonda de 2 1/2" en los orificios hasta que estén casi apretados. Asegúrese de que la parte posterior esté completamente apoyada con cuñas, según sea necesario, y que no se doble en ninguna imperfección de la pared. Asegúrese de que el gabinete esté nivelado y aplomado, ajústelo según sea necesario. Apriete los tornillos completamente y verifique una vez más para asegurarse de que el gabinete esté nivelado y aplomado. Vuelva a instalar las puertas de los gabinetes, los cajones y los estantes después de que se hayan instalado todos los gabinetes.



## Paso 8: Completar la instalación y alineación

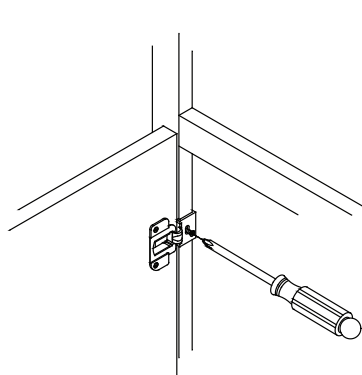
Cuando todos los gabinetes altos estén instalados de forma segura en las paredes, el siguiente paso es verificar que cada puerta y cajón estén alineados correctamente. Si es necesario realizar ajustes, siga las instrucciones de ajuste de las bisagras que se enumeran a continuación.

**IMPORTANTE:** Todas las puertas y frentes de cajones deben estar alineados antes de la instalación de los accesorios decorativos.

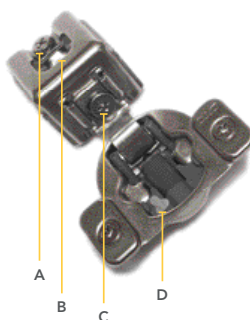
## Cuidado y mantenimiento del gabinete

### Ajuste de bisagra de 6 vías

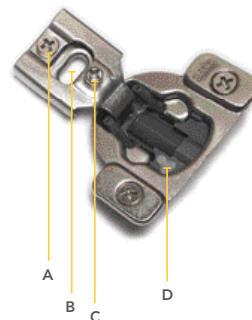
Las bisagras se pueden ajustar fácilmente "hacia arriba y hacia abajo" aflojando los tornillos de las bisagras fijados al marco frontal. Deslice la puerta hacia arriba o hacia abajo hasta que quede alineada y apriete los tornillos. Las bisagras también se pueden ajustar "de lado a lado" y "hacia adentro y hacia afuera". Consulte a continuación para obtener detalles sobre los ajustes.



Superposición completa



Superposición parcial



#### A. Ajuste de entrada y salida

Para puertas arqueadas y alabeadas. (ver ilustraciones a continuación)

#### B. Ajuste hacia arriba y hacia abajo

Para puertas desalineadas. Afloje los tornillos, ajuste y luego vuelva a apretar los tornillos.

#### C. Ajuste de lado a lado

Para espacios entre puertas dobles. En el sentido de las agujas del reloj para ajustar hacia afuera y en el sentido contrario a las agujas del reloj para ajustar hacia adentro.

## Guía de solución de problemas: problemas que puede solucionar

Aunque sus gabinetes deben pasar estrictos procedimientos de inspección de calidad, surgen irregularidades como resultado de los procedimientos de envío y manipulación. Además, ciertos errores durante el proceso de instalación pueden causar problemas que no son culpa del fabricante del gabinete. A continuación se enumeran varias condiciones y causas, así como remedios para esas situaciones.

<i>Problema</i>	<i>Causa posible</i>	<i>Solución</i>
Las puertas de los gabinetes no se alinean verticalmente (arriba y abajo).	Una bisagra está torcida o el gabinete está desalineado o "atornillado".	Asegúrese de que el gabinete esté a plomo y nivelado. Ajuste las bisagras de la puerta.
Puertas dobles en armario de pared o bajo no haga fila.	Esto podría ser el resultado de una instalación incorrecta del gabinete. El gabinete está desalineado y no está nivelado y escuadrado (a plomo).	Afloje el gabinete de la pared y use cuñas para cuadrarlo adecuadamente. Ajuste las bisagras de la puerta.
Espacio entre los dos contiguos. Las puertas son demasiado grandes.	Una bisagra está desajustada.	Ajuste las bisagras de la puerta.
El cajón del gabinete no cierra uniformemente.	La alineación de los cajones es deficiente.	Ajuste manualmente la guía del cajón.

### Limpeza de gabinetes: interior

Los interiores de los gabinetes tienen una superficie laminada recubierta de uretano que resiste raspaduras, daños y los derrames domésticos más comunes. Limpiar con un paño húmedo o una esponja. Para residuos de comida o grasa, use agua tibia mezclada con un líquido lavavajillas suave para limpiar. 5% de líquido lavavajillas y 95% de agua es una buena proporción. Seque bien. Para evitar daños permanentes, es importante limpiar el derrame y secar la superficie inmediatamente.

### Limpeza de gabinetes: exterior - gabinetes de madera

Los exteriores de madera se fabrican con un acabado de calidad que protege la madera. Se recomienda una limpieza mensual. Limpie la superficie de los gabinetes con un paño limpio y húmedo y séquelos con otro paño limpio. Para suciedad o grasa general, use agua tibia mezclada con un líquido lavavajillas suave para limpiar. 5% de líquido lavavajillas y 95% de agua es una buena proporción. Seque bien. El exceso de humedad puede dañar el acabado de cualquier gabinete; Las áreas cercanas al fregadero, la estufa, el lavavajillas, el horno y los zócalos son las más susceptibles y deben mantenerse secas. No se recomienda el encerado y, con el tiempo, los compuestos de encerado y pulido pueden acumularse en las superficies del gabinete, formando una apariencia borrosa, rayada o amarillenta.

### Limpeza de gabinetes: exterior – laminado

Los gabinetes laminados tienen una superficie de PVC duradero de color, lo que permite años de uso y belleza excepcionales. Se recomienda una limpieza mensual, siguiendo el mismo procedimiento descrito para exteriores de madera.

**PRECAUCIÓN:** Evite el uso de limpiadores que contengan lejía, amoníaco, productos a base de cítricos o cualquier tipo de abrasivos (consulte la etiqueta del limpiador). Estos limpiadores pueden dañar el acabado de su gabinete.

### Características de la madera

Las maderas auténticas varían en color y marcas de carácter, como vetas, nudos y patrones de vetas. Dado que los tintes de acabado pueden atraer de manera diferente estos patrones de vetas, pueden aparecer algunas áreas claras y oscuras. La belleza reside en estas variaciones naturales de color y vetas que dan a cada mueble su encanto individual. Con el tiempo, pueden ocurrir cambios en el color del acabado. Debido a un proceso de envejecimiento natural, el acabado también puede "profundizarse" con el tiempo, oscureciendo el color de la madera o creando un efecto de "sombra" donde las puertas se superponen al marco. Debido a estas pequeñas diferencias de tono, es posible que no sea posible igualar exactamente el color del acabado de los gabinetes existentes al reemplazar puertas o agregar gabinetes en una fecha posterior. Los acabados y esmaltes más claros y naturales resaltan las cualidades inherentes de la madera genuina para crear un producto verdaderamente hermoso. Para construir sus gabinetes, solo se han utilizado maderas sólidas y enchapadas de madera seleccionadas. La belleza de estas maderas genuinas reside en las variaciones de color y veta. Pueden verse matices de blanco, rojo, negro, amarillo e incluso verde. Las vetas minerales también pueden contribuir a la apariencia distintiva, reflejando la "historia de vida" del árbol, ya que absorbe minerales de manera diferente de un área a otra. La veta y la textura aparente pueden variar desde uniformes y consistentes hasta variadas y dramáticas. Estas variaciones naturales dan como resultado marcas de carácter únicas en gabinetes adyacentes, en pares de puertas e incluso dentro del mismo panel. Estas variaciones también pueden aparecer en los bordes de las puertas de madera donde los núcleos de madera maciza están expuestos en ciertos estilos. Se señalan estas características únicas de la madera para recordarle que cada pieza es diferente. El efecto variado, más claramente evidente en el acabado natural, puede ser diferente en una cocina completa del representado por un expositor más pequeño o una muestra de acabado. Ni nosotros, el fabricante ni su distribuidor, podemos ser responsables del tipo o grado de variaciones que realmente puedan caracterizar sus gabinetes.

### Características del laminado

Los gabinetes laminados cuentan con puertas y frentes de cajones revestidos con PVC laminado. Estos productos también cuentan con marcos frontales contruados en madera maciza con un acabado pintado protegido con un barniz catalizado. Las maderas se expanden y contraen naturalmente con los cambios de temperatura y humedad; por lo tanto, eventualmente se pueden formar algunas grietas visibles en el área de las juntas del gabinete. Dado que las puertas y los frentes de los cajones están fabricados con materiales diferentes a los marcos frontales de madera maciza, el proceso de envejecimiento natural puede hacer que los dos materiales muestren algunas variaciones de color. Los niveles de exposición a la luz solar, el humo y los productos químicos domésticos tendrán un impacto en la variación del color.

Lo anterior no es garantía. Si tiene preguntas específicas sobre la garantía, comuníquese con el servicio de atención al cliente del fabricante para obtener información y limitaciones de la garantía.

# SCR Cabinet Installation Instructions

## Parts Included:

- SCR Cabinet

## Materials Needed:

- 1x2 or 1x3 Wood Strips
- Nails or Screws for Attachment

---

## Before starting the installation

---

These instructions are intended as supplemental reference for those who have the appropriate skills and experience to safely and successfully install cabinetry, including familiarity with basic carpentry principles and safe and proper tool use. Wall framing and construction can vary greatly, and these instructions may not describe all construction methods. Also, there may be electric, plumbing, gas lines or other utilities behind the wall, for which contact must be avoided during installation. If for any reason after reading these instructions you do not feel confident in the ability to safely and successfully install this cabinetry, please contact a licensed contractor for installation. MasterBrand Cabinets is not responsible for improper installation or property damage.

**WARNING:** *Electric, plumbing, gas lines and other utilities, are frequently installed or embedded behind walls where cabinets are being installed. Before drilling any holes or driving any screws, be sure you will not be making contact with any of these utilities. Failure to follow these instructions may result in property damage and serious or fatal injury. If you do not feel confident in your ability to ensure that you will not make contact with utilities behind a wall during installation, please contact a licensed contractor to install the cabinets.*

---

## Step 1: Inspection and Preparation

---

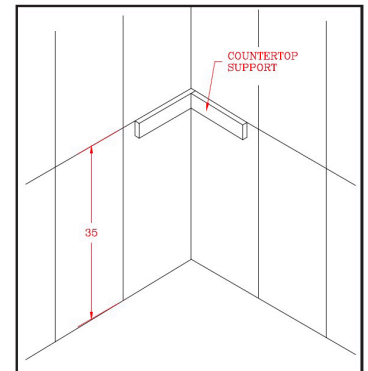
Follow Wall and Base Cabinet Instructions for cabinet inspection and preparing and marking the walls for cabinet installation. Install all wall cabinets before installing the SCR corner cabinet.

---

## Step 2: Install Countertop Support

---

Installation of a SCR cabinet requires a countertop support attached to the wall. Apply a 1x2 or 1x3 wood strip to the wall at the predetermined reference line for base cabinets. Apply the wood strip to both corner walls at right angles. They should be screwed or nailed to the wall studs to provide adequate support for your new countertop.



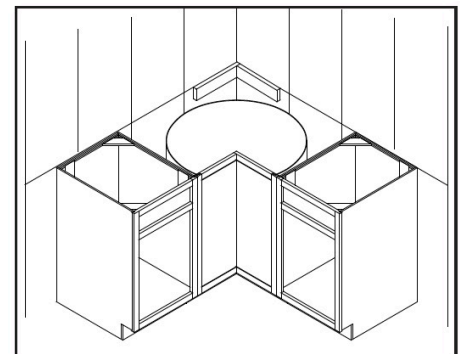
---

## Step 3: Cabinet Installation

---

After attaching the countertop support to the wall, place the SCR cabinet and the adjoining cabinets into position. Use the standard wall and base cabinet installation instructions for properly installing these cabinets.

**NOTE:** *It is recommended that you fasten at least one base cabinet in both directions to the SCR cabinet. If there is a gap between the cabinet face frame and the countertop, it is recommended that you fasten the face frame to the countertop.*



# Instructions d'installation de l'armoire SCR

## Pièces incluses :

- Armoire SCR

## Les matériaux nécessaires :

- Bandes de bois 1x2 ou 1x3
- Clous ou vis pour la fixation

---

## Avant de commencer l'installation

---

Ces instructions sont destinées à servir de référence supplémentaire pour ceux qui possèdent les compétences et l'expérience appropriées pour installer des armoires en toute sécurité et avec succès, y compris une connaissance des principes de base de la menuiserie et une utilisation sûre et appropriée des outils. La charpente et la construction des murs peuvent varier considérablement et ces instructions peuvent ne pas décrire toutes les méthodes de construction. De plus, il peut y avoir des conduites d'électricité, de plomberie, de gaz ou d'autres services publics derrière le mur, pour lesquels tout contact doit être évité lors de l'installation. Si, pour une raison quelconque, après avoir lu ces instructions, vous n'êtes pas sûr de votre capacité à installer cette armoire avec succès et en toute sécurité, veuillez contacter un entrepreneur agréé pour l'installation. MasterBrand Cabinets n'est pas responsable d'une mauvaise installation ou de dommages matériels.

**AVERTISSEMENT :** Les conduites d'électricité, de plomberie, de gaz et autres services publics sont fréquemment installés ou encastrés derrière les murs où les armoires sont installées. Avant de percer des trous ou d'enfoncer des vis, assurez-vous que vous n'entrez en contact avec aucun de ces utilitaires. Le non-respect de ces instructions peut entraîner des dommages matériels et des blessures graves, voire mortelles. Si vous n'êtes pas sûr de votre capacité à garantir que vous n'entrez pas en contact avec les services publics derrière un mur pendant l'installation, veuillez contacter un entrepreneur agréé pour installer les armoires.

---

## Étape 1 : Inspection et préparation

---

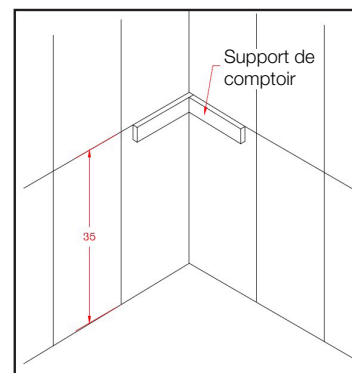
Suivez les instructions sur les murs et les armoires de base pour inspecter l'armoire et préparer et marquer les murs pour l'installation de l'armoire. Installez toutes les armoires murales avant d'installer l'armoire d'angle SCR.

---

## Étape 2 : Installer le support de comptoir

---

L'installation d'une armoire SCR nécessite un support de comptoir fixé au mur. Appliquez une bande de bois 1x2 ou 1x3 sur le mur au niveau de la ligne de référence prédéterminée pour les armoires inférieures. Appliquez la bande de bois sur les deux murs d'angle à angle droit. Ils doivent être vissés ou cloués aux montants du mur pour fournir un support adéquat pour votre nouveau comptoir.



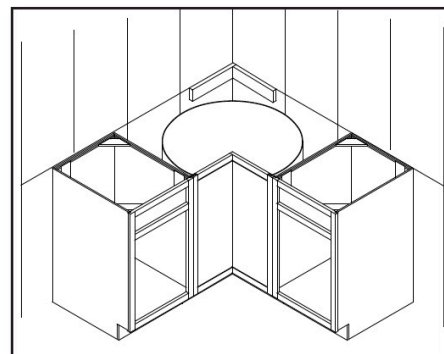
---

## Étape 3 : Installation de l'armoire

---

Après avoir fixé le support de comptoir au mur, placez le meuble SCR et les meubles attenants en position. Utilisez les instructions d'installation standard des armoires murales et inférieures pour installer correctement ces armoires.

**REMARQUE :** Il est recommandé de fixer au moins un meuble bas dans les deux sens au meuble SCR. S'il y a un espace entre le cadre de façade de l'armoire et le comptoir, il est recommandé de fixer le cadre de façade au comptoir.





# Instrucciones de instalación del gabinete SCR

## Piezas incluidas:

- Gabinete SCR

## Materiales necesarios:

- Listones de Madera 1x2 o 1x3
- Clavos o tornillos para fijación

---

## Antes de comenzar la instalación

Estas instrucciones están destinadas a ser una referencia complementaria para quienes tienen las habilidades y la experiencia adecuadas para instalar gabinetes de manera segura y exitosa, incluida la familiaridad con los principios básicos de carpintería y el uso seguro y adecuado de herramientas. El marco y la construcción de las paredes pueden variar mucho y es posible que estas instrucciones no describan todos los métodos de construcción. Además, puede haber líneas eléctricas, de plomería, de gas u otros servicios públicos detrás de la pared, por lo que se debe evitar el contacto durante la instalación. Si por algún motivo después de leer estas instrucciones no se siente seguro de poder instalar este gabinete de manera segura y exitosa, comuníquese con un contratista autorizado para realizar la instalación. MasterBrand Cabinets no es responsable de una instalación incorrecta o daños a la propiedad.

**ADVERTENCIA:** Las líneas eléctricas, de plomería, de gas y otros servicios públicos con frecuencia se instalan o incrustan detrás de las paredes donde se instalan los gabinetes. Antes de perforar agujeros o colocar tornillos, asegúrese de no hacer contacto con ninguna de estas utilidades. El incumplimiento de estas instrucciones puede provocar daños a la propiedad y lesiones graves o mortales. Si no confía en su capacidad para garantizar que no entrará en contacto con los servicios públicos detrás de una pared durante la instalación, comuníquese con un contratista autorizado para instalar los gabinetes.

---

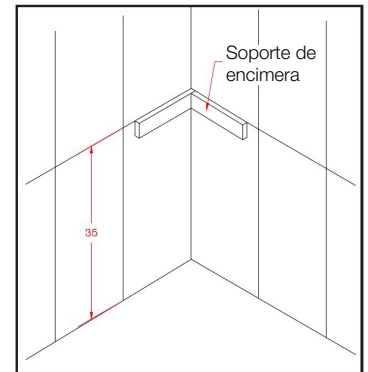
## Paso 1: Inspección y preparación

Siga las instrucciones del gabinete de pared y base para inspeccionar el gabinete y preparar y marcar las paredes para la instalación del gabinete. Instale todos los gabinetes de pared antes de instalar el gabinete de esquina SCR.

---

## Paso 2: instale el soporte de la encimera

La instalación de un gabinete SCR requiere un soporte de encimera sujeto a la pared. Aplique un listón de madera de 1x2 o 1x3 a la pared en la línea de referencia predeterminada para armarios bajos. Coloque la tira de madera en ambas paredes de las esquinas en ángulo recto. Deben atornillarse o clavarse a los montantes de la pared para proporcionar un soporte adecuado para tu nueva encimera.

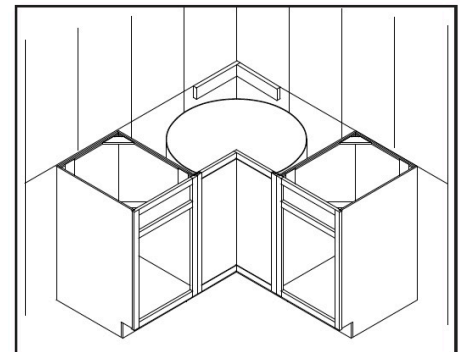


---

## Paso 3: Instalación del gabinete

Después de fijar el soporte de la encimera a la pared, coloque el gabinete SCR y los gabinetes contiguos en su posición. Utilice las instrucciones de instalación estándar de gabinetes de pared y base para instalar correctamente estos gabinetes.

**NOTA:** Se recomienda fijar al menos un gabinete base en ambas direcciones al gabinete SCR. Si hay un espacio entre el marco frontal del gabinete y la encimera, se recomienda fijar el marco frontal a la encimera.



# Square Corner Cabinet Installation Instructions

**CAUTION:** Never use nails to mount cabinets. The use of nails may void your factory warranty, written or implied.

## Parts Included:

- Square Corner Cabinet
- Filler - (Shipped on underside of cabinet)
- Blind Panel - (Shipped on underside of cabinet)

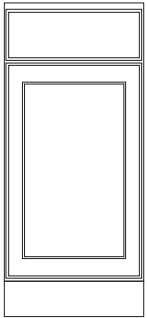
## Materials Needed:

- #6 x 1/2" Flat Head Screws
- 2 1/2" Trim Head or Flat Head Wood Screws
- 2 1/2" Round Washer Head Screws

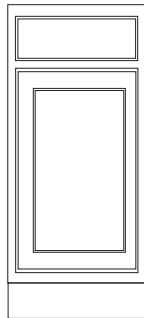


## Square Corner Cabinet Information:

	Min. Pull	Min. Pull w/Hardware	Max. Pull	Min. Filler Required	Min. Filler Required w/Hardware
<b>1 1/4" Overlay</b>	3/4"	2 1/4"	12 1/2"	1"	2 1/2"
<b>7/16" Overlay</b>	1/4"	1 3/4"	12 1/2"	1/2"	2"



Full Overlay



Partial Overlay

**NOTE:** To determine your cabinet's overlay, reference left image showing door & drawer front coverage of face frame

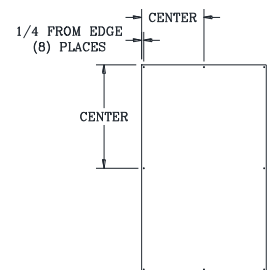
## Step 1: Inspect and Preparation

Follow Wall and Base Cabinet instructions for cabinet inspection and preparing and marking the walls for cabinet installation. Install all wall cabinets before installing the SCB corner cabinet.

## Step 2: Blind Panel Preparation

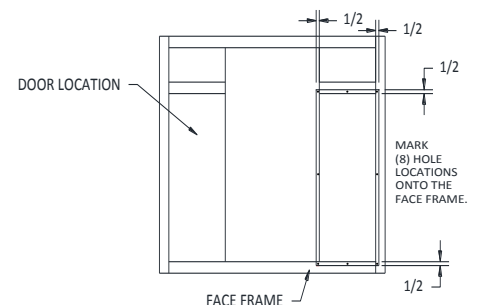
Locate and remove the blind panel and filler from the underside of the cabinet. Set filler aside for later use. Trim blind panel so it covers the open side of the blind corner cabinet by 1/2" on all (4) sides of the opening. Mark (8) hole locations shown in the image to the right 1/4" from the edges of the blind panel.

Predrill the (8) marked locations with a 3/32" diameter drill bit.



## Step 3: Blind Panel Installation

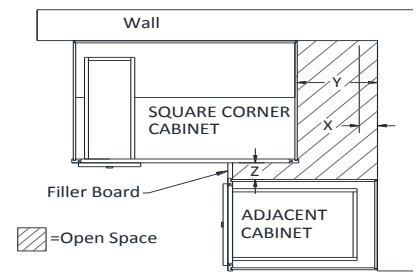
On the square corner opening side of the face frame (opening without the door attached), mark lines onto the face frame 1/2" from the edge of the door opening. This will locate the blind panel for attachment. Place predrilled blind panel onto face frame and mark the predrilled hole locations from the blind panel onto the face frame. Remove blind panel and predrill face frame with a 3/32" diameter drill bit in all (8) locations, 1/2" deep. Attach blind panel to face frame using (8) #6 x 1/2" flat head screws.



**NOTE:** Door can be placed on either side of the cabinet depending on design needs.

## STEP 4: Begin Square Corner Cabinet Installation

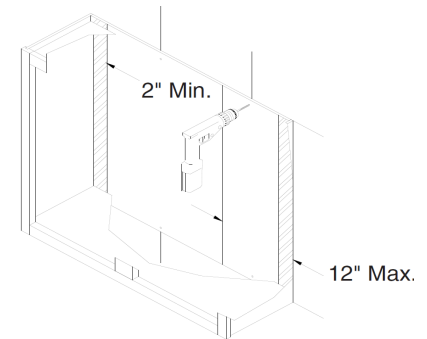
Position the square corner cabinet and the adjacent cabinet in place with reference to the filler and pull specification table on page 1. Setting the appropriate amount of pull is critical for a successful installation. Confirm the square corner cabinet is sitting level and plumb. If needed, add shims to level. Remove adjacent cabinet to allow room for install.



## STEP 5: Complete Square Corner Cabinet Installation

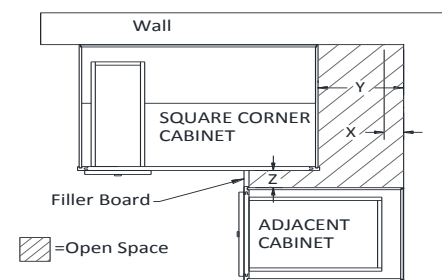
Locate predetermined wall studs and transfer marks to the inside of the cabinet. Drill through the cabinet back and into the wall stud with a  $3/32$ " diameter drill bit, approximately 2" deep. The holes should come no closer than 2" to any inside vertical edge of the cabinet. Insert the  $2\frac{1}{2}$ " round washer head screws into the holes until they are nearly tight. Check to ensure the cabinet remained level and plumb. Adjust as needed before fully tightening the screws.

**NOTE:** Never use nails to mount cabinets. The use of nails may void your factory warranty, written or implied.



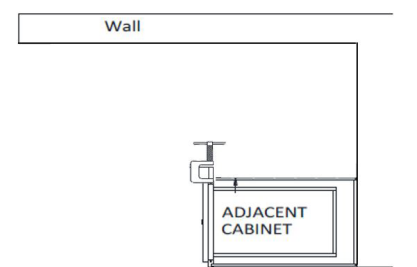
## STEP 6: Determine Filler Width

Following your design layout, place the adjacent cabinet next to the square corner base cabinet that has been installed. The width of the filler, Z, can now be determined in accordance with the specification table on page 1 and your design layout. Rip filler to desired width if necessary.



## STEP 7: Filler Installation

With the filler at the desired width, clamp filler to the appropriate side of the adjacent cabinet face frame. Align the filler vertically to the frame and ensure the face of the filler is flush with the face of the frame. Drill two  $3/32$ " diameter holes through the face frame and into the filler near the top and bottom. Then, insert and tighten  $2\frac{1}{2}$ " trim head or flat head wood screws to fasten the filler to the adjacent cabinet frame. (NOTE: If filler width is less than one inch, use shorter screws).

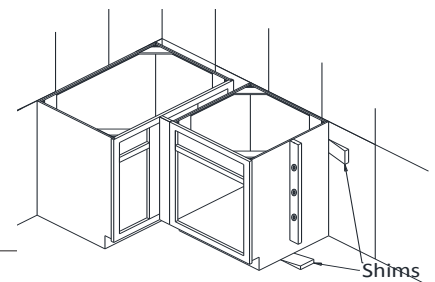


## STEP 8: Adjacent Cabinet Installation

Position the adjacent cabinet and filler assembly in place. Check the cabinet to ensure it is both level and plumb using shims if necessary. Make sure the filler is properly aligned to the square corner cabinet face frame. Follow Step 5 to secure the adjacent cabinet to the wall.

## Step 9: Attach Square Corner to Filler/Adjacent Cabinet Assembly

After the adjacent cabinet has been secured to the wall, use clamps to securely join the cabinets together. Ensure the filler and adjacent cabinet assembly is still properly aligned to the square corner cabinet. Mark two locations on the inside of the square corner cabinet face frame that coincides with the center of the filler. Drill two  $3/32$ " diameter holes through the square corner cabinet face frame and into the filler near the top and bottom. Then, insert and tighten  $2\frac{1}{2}$ " trim head or flat head wood screws to fasten the filler and adjacent cabinet to the square corner cabinet.



# Instructions d'installation de l'armoire de coin carré

**ATTENTION :** N'utilisez jamais de clous pour monter des armoires. L'utilisation de clous peut annuler votre garantie d'usine, écrite ou implicite.

## Pièces incluses :

- Armoire d'angle carrée
- REMPLISSEUR - (Expédié sous l'armoire)
- Panneau aveugle - (Expédié sous l'armoire)

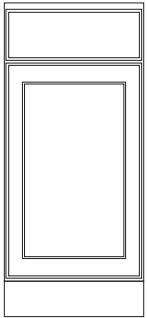
## Les matériaux nécessaires :

- Vis à tête plate n° 6 x 1/2"
- Vis à bois à tête ronde ou à tête plate de 2 1/2 po
- Vis à tête ronde à rondelle de 2 1/2"

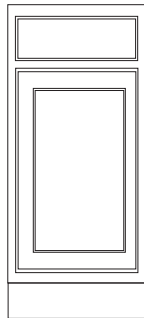


## Informations sur les armoires de coin carré :

	Min. Tirer	Min. Tirez avec le matériel	Max. Tirer	Min. Remplissage requis	Min. Remplisseur requis avec matériel
<b>1 1/4" Recouvrir</b>	3/4"	2 1/4"	12 1/2"	1"	2 1/2"
<b>7/16" Recouvrir</b>	1/4"	1 3/4"	12 1/2"	1/2"	2"



Superposition complète



Superposition partielle

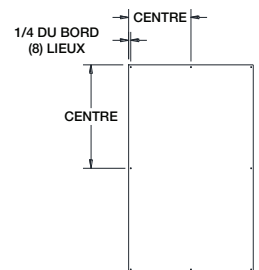
**REMARQUE :** Pour déterminer le revêtement de votre armoire, référez-vous à l'image de gauche montrant la couverture avant de la porte et du tiroir du cadre avant.

## Étape 1 : Inspection et préparation

Suivez les instructions des murs et des armoires de base pour inspecter les armoires et préparer et marquer les murs pour l'installation de l'armoire. Installez toutes les armoires murales avant d'installer l'armoire d'angle SCB.

## Étape 2 : Préparation du panneau aveugle

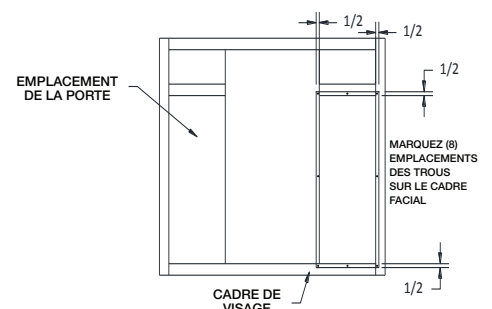
Localisez et retirez le panneau aveugle et le remplissage du dessous de l'armoire. Mettre le mastic de côté pour une utilisation ultérieure. Coupez le panneau aveugle de manière à ce qu'il recouvre le côté ouvert de l'armoire d'angle aveugle de 1/2" sur tous les (4) côtés de l'ouverture. Marquez (8) emplacements des trous indiqués dans l'image à droite à 1/4" des bords du store. Pré-percez les (8) emplacements marqués avec un foret de 3/32" de diamètre.



## Étape 3 : Installation du panneau aveugle

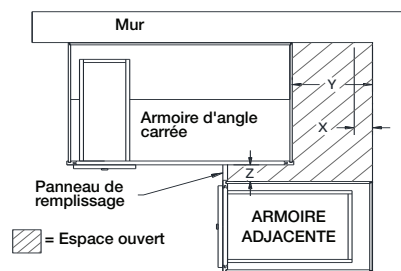
Sur le côté de l'ouverture du coin carré du cadre de façade (ouverture sans la porte fixée), marquez des lignes sur le cadre de façade à 1/2" du bord de l'ouverture de la porte. Cela localisera le panneau aveugle pour la fixation. Placez le panneau aveugle pré-percé sur le cadre de façade et marquez les emplacements des trous pré-perçés du panneau aveugle sur le cadre de façade. Retirez le panneau aveugle et pré-percez le cadre de façade avec un foret de 3/32" de diamètre à tous les (8) emplacements, à 1/2" de profondeur. Fixez le panneau aveugle au cadre de façade à l'aide de (8) vis à tête plate n° 6 x 1/2".

**REMARQUE :** La porte peut être placée de chaque côté de l'armoire selon les besoins de conception.



## ÉTAPE 4 : Commencer l'installation de l'armoire d'angle carré

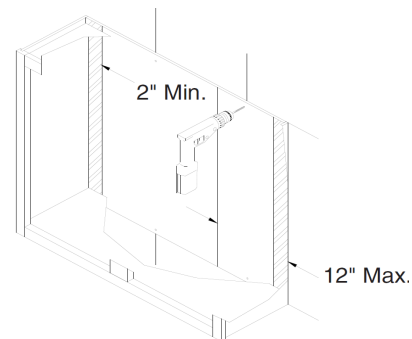
Positionnez l'armoire d'angle carrée et l'armoire adjacente en place en vous référant au tableau des spécifications de remplissage et de traction à la page 1. Le réglage de la quantité de traction appropriée est essentiel pour une installation réussie. Confirmez que l'armoire d'angle carrée est de niveau et d'aplomb. Si nécessaire, ajoutez des cales au niveau. Retirez l'armoire adjacente pour laisser de la place pour l'installation.



## ÉTAPE 5 : Installation complète de l'armoire de coin carré

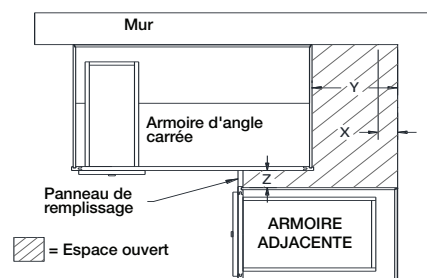
Localisez les montants muraux prédéterminés et transférez les marques à l'intérieur de l'armoire. Percez l'arrière de l'armoire et le montant du mur avec un foret de 3/32" de diamètre, à environ 2" de profondeur. Les trous ne doivent pas s'approcher à moins de 2" de tout bord vertical intérieur de l'armoire. Insérez les vis à tête ronde de 2 1/2" dans les trous jusqu'à ce qu'elles soient presque serrées. Vérifiez que l'armoire reste de niveau et d'aplomb. Ajustez si nécessaire avant de serrer complètement les vis.

**REMARQUE :** N'utilisez jamais de clous pour monter les armoires. L'utilisation de clous peut annuler votre garantie d'usine, écrite ou implicite.



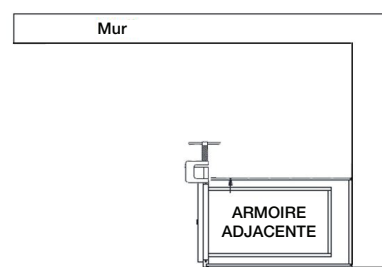
## ÉTAPE 6 : Déterminer la largeur du remplissage

En suivant votre disposition, placez l'armoire adjacente à côté de l'armoire sur pied d'angle carré qui a été installée. La largeur du remplissage, Z, peut maintenant être déterminée conformément au tableau de spécifications de la page 1 et à votre disposition de conception. Déchirez le mastic à la largeur souhaitée si nécessaire.



## ÉTAPE 7 : Installation du remplissage

Avec le remplissage à la largeur souhaitée, fixez le remplissage sur le côté approprié du cadre de façade de l'armoire adjacente. Alignez le mastic verticalement sur le cadre et assurez-vous que la face du mastic affleure la face du cadre. Percez deux trous de 3/32" de diamètre à travers le cadre facial et dans le remplissage près du haut et du bas. Ensuite, insérez et serrez des vis à bois à tête ronde ou à tête plate de 2 1/2" pour fixer le remplissage au cadre de l'armoire adjacente. (REMARQUE : Si la largeur du remplissage est inférieure à un pouce, utilisez des vis plus courtes).

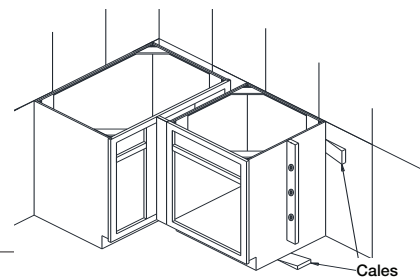


## ÉTAPE 8 : Installation d'une armoire adjacente

Placez l'armoire adjacente et l'ensemble de remplissage en place. Vérifiez l'armoire pour vous assurer qu'elle est à la fois de niveau et d'aplomb en utilisant des cales si nécessaire. Assurez-vous que le remplissage est correctement aligné sur le cadre carré de la façade de l'armoire de coin. Suivez l'étape 5 pour fixer l'armoire adjacente au mur.

## Étape 9 : Fixez le coin carré à l'assemblage de remplissage/ armoire adjacente

Une fois l'armoire adjacente fixée au mur, utilisez des pinces pour assembler solidement les armoires. Assurez-vous que l'ensemble de remplissage et l'armoire adjacente sont toujours correctement alignés sur l'armoire d'angle carrée. Marquez deux emplacements à l'intérieur du cadre de façade d'armoire d'angle carré qui coïncide avec le centre du remplissage. Percez deux trous de 3/32" de diamètre à travers le cadre carré de la façade de l'armoire et dans le remplissage près du haut et du bas. Ensuite, insérez et serrez des vis à bois à tête ronde ou à tête plate de 2 1/2" pour fixer le panneau de remplissage et l'armoire adjacente à l'armoire d'angle carrée.





# Instrucciones de instalación del gabinete de esquina cuadrada

**PRECAUCIÓN:** Nunca utilice clavos para montar los gabinetes. El uso de clavos puede anular la garantía de fábrica, escrita o implícita.

## Piezas incluidas:

- Gabinete de esquina cuadrado
- Relleno - (Se envía en la parte inferior del gabinete)
- Panel ciego - (Se envía en la parte inferior del gabinete)

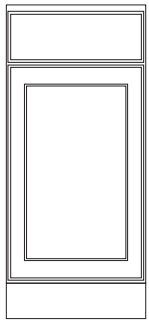
## Materiales necesitados:

- Tornillos de cabeza plana #6 x 1/2"
- Tornillos para madera de cabeza plana o moldurada de 2 1/2"
- Tornillos con cabeza de arandela redonda de 2 1/2"

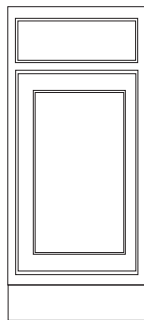


## Información del gabinete de esquina cuadrada:

	Mín. Jalar	Mín. Tirar con hardware	Máx. Jalar	Mín. Relleno requerido	Mín. Requiere relleno con hardware
1 1/4" Cubrir	3/4"	2 1/4"	12 1/2"	1"	2 1/2"
7/16" Cubrir	1/4"	1 3/4"	12 1/2"	1/2"	2"



Superposición completa



Superposición parcial

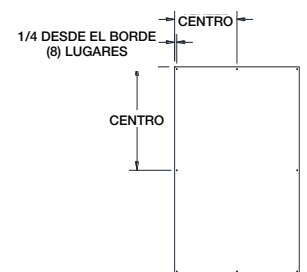
**NOTA:** Para determinar la superposición de su gabinete, consulte la imagen de la izquierda que muestra la cobertura frontal de la puerta y el cajón del marco frontal.

## Paso 1: inspección y preparación

Siga las instrucciones del gabinete de pared y base para inspeccionar el gabinete y preparar y marcar las paredes para la instalación del gabinete. Instale todos los gabinetes de pared antes de instalar el gabinete de esquina SCB.

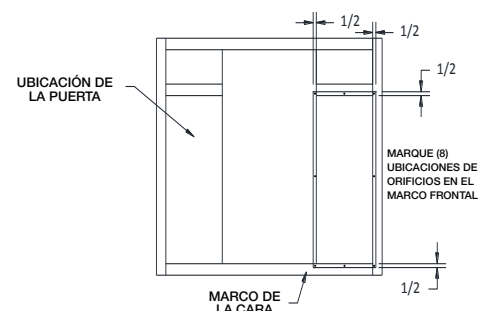
## Paso 2: Preparación del panel ciego

Ubique y retire el panel ciego y el relleno de la parte inferior del gabinete. Deje el relleno a un lado para usarlo más adelante. Recorte el panel ciego de modo que cubra el lado abierto del gabinete de la esquina ciega a 1/2" en todos los (4) lados de la abertura. Marque (8) ubicaciones de los orificios que se muestran en la imagen a la derecha a 1/4" de los bordes de la persiana. Pretaladre las (8) ubicaciones marcadas con una broca de 3/32" de diámetro.



## Paso 3: Instalación del panel ciego

En el lado de la abertura de la esquina cuadrada del marco frontal (abertura sin la puerta adjunta), marque líneas en el marco frontal a 1/2" del borde de la abertura de la puerta. Esto ubicará el panel ciego para su fijación. Coloque el panel ciego preperforado en el marco frontal y marque las ubicaciones de los orificios previamente perforados desde el panel ciego en el marco frontal. Retire el panel ciego y taladre previamente el marco frontal con una broca de 3/32" de diámetro en todas las (8) ubicaciones, a 1/2" de profundidad. Fije el panel ciego al marco frontal usando (8) tornillos de cabeza plana #6 x 1/2".



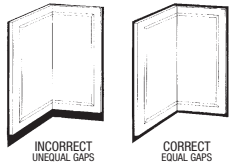
**NOTA:** La puerta se puede colocar a cualquier lado del gabinete según las necesidades de diseño.



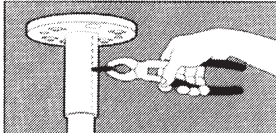


# SYSTEM 9 ADJUSTMENT INSTRUCTIONS

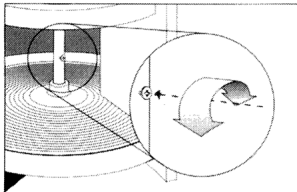
## TO ADJUST DOOR HEIGHT



1. Shipping pins must be removed before attempting height adjustment. You will need to use pliers.



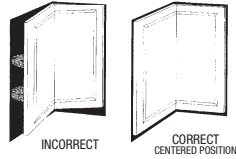
2. Rotate the doors to the right, exposing the height adjustment screw.



3. Turn the screw to the right to raise the doors and turn to left to lower the doors.

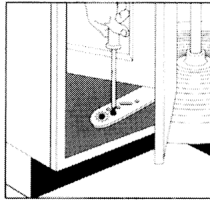
*\*Trays do not need to be unloaded to adjust (up to 100 lbs.)*

## TO ADJUST DOOR CLOSING ALIGNMENT

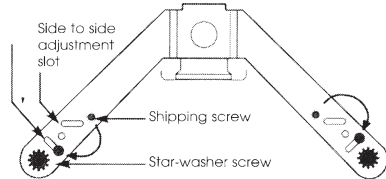


1. Open the doors so that one side of the bottom mounting bracket can be seen.

2. Remove the shipping screw and loosen the star-washer screw. If the door is out of alignment to the left insert shipping screw into the right side of the slot as shown. Reverse if alignment is out to the right. Repeat on both sides of bottom mounting bracket.



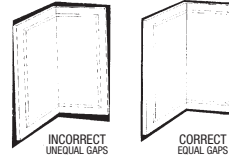
Door alignment slot



3. Rotate bracket to the left or right depending which way the doors should go.

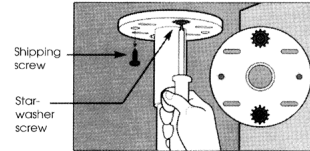
4. Tighten the door alignment screws and close the door to check alignment. Repeat if necessary.

## TO ADJUST FOR SIDE/SIDE CLEARANCE



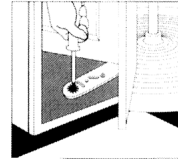
### TOP ADJUSTMENT

1. Remove shipping screws. Loosen the front and back (star-washer) screws.
2. Adjust mounting bracket to correct the gap between the sides of the door and frame at the top.
3. Tighten, check and repeat if necessary. Re-insert shipping screw in any unused hole or slot.



### BOTTOM ADJUSTMENT

1. Remove shipping screws if you have not already done so. Loosen the (star-washer) screws.
2. Adjust mounting bracket to correct the gap between the sides of the door and frame at the bottom.
3. Tighten, check and repeat if necessary.

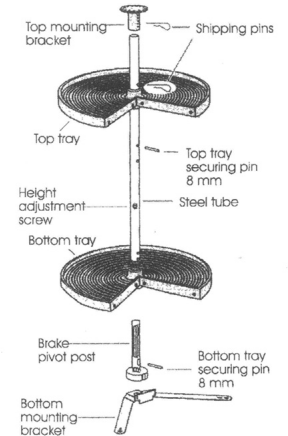


## REMOVAL of the Lazy Daisy® Susan Unit

In the unlikely event that the entire Lazy Daisy Susan Unit must be removed, please follow these instructions:

1. Detach doors from both the top and bottom trays.
2. Remove the shipping pins from above the top tray.
3. Lift bottom tray and remove bottom tray securing pin.
4. Lift top tray and remove top tray securing pin.
5. Remove screws from top mounting bracket.
6. Lift both trays to middle of the cabinet. Tilt the tube and remove top mounting bracket.
7. Tilt bottom of the tube and remove brake pivot post.
8. Rotate trays so that complete unit can be removed from cabinet.
9. Remove trays from tube.
10. Remove bottom mounting bracket.

## SYSTEM 9 PIE-CUT PARTS DRAWING



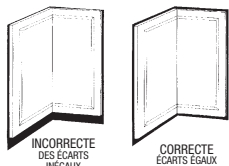
**CARE INSTRUCTIONS:** Wipe clean with soft cloth and mild, non-abrasive detergent or soap solution. Avoid scoring pads, etc.



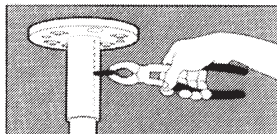
**LAZY DAISY**  
BY **REV-A-SHELF**

## SYSTÈME 9 AJUSTEMENT INSTRUCTIONS

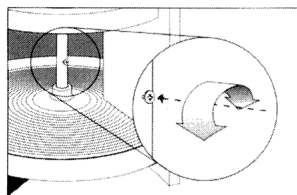
### POUR RÉGLER LA HAUTEUR DE LA PORTE



1. Les goupilles d'expédition doivent être retirées avant de tenter le réglage de la hauteur. Vous devrez utiliser des pinces.



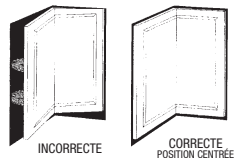
2. Faites pivoter les portes vers la droite, exposant la vis de réglage de la hauteur.



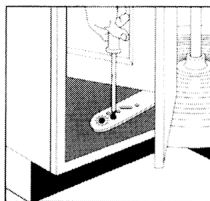
3. Tournez la vis vers la droite pour relever les portes et tournez vers la gauche pour abaisser les portes.

*\*Les plateaux n'ont pas besoin d'être déchargés pour s'ajuster (jusqu'à 100 lb).*

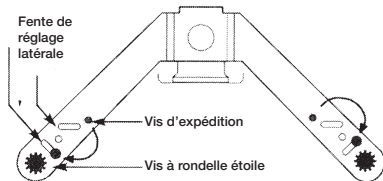
### POUR AJUSTER L'ALIGNEMENT DE FERMETURE DE LA PORTE



1. Ouvrez les portes de manière à ce qu'un côté du support de montage inférieur soit visible.
2. Retirez la vis d'expédition et desserrez la vis à rondelle étoilée. Si la porte n'est pas alignée avec la gauche, insérez la vis d'expédition dans le côté droit de la fente, comme illustré. Inversez si l'alignement est à droite. Répétez l'opération des deux côtés du support de montage inférieur.



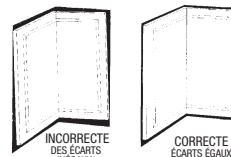
Fente d'alignement de la porte



3. Faites pivoter le support vers la gauche ou la droite selon la direction dans laquelle les portes doivent aller.
4. Serrez les vis d'alignement de la porte et fermez la porte pour vérifier l'alignement. Répétez si nécessaire.

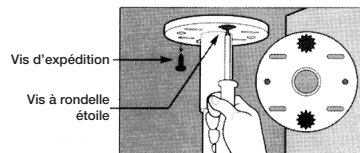
**INSTRUCTIONS D'ENTRETIEN :** Essayez avec un chiffon doux et un détergent doux et non abrasif ou une solution savonneuse. Évitez les blocs de notation, etc.

### POUR RÉGLER LE JEU LATÉRAL/LATÉRAL



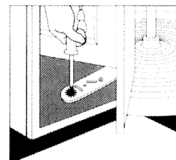
#### RÉGLAGE SUPÉRIEUR

1. Retirez les vis d'expédition. Desserrez les vis avant et arrière (rondelle en étoile).
2. Ajustez le support de montage pour corriger l'écart entre les côtés de la porte et le cadre en haut.
3. Serrez, vérifiez et répétez si nécessaire. Réinsérez la vis d'expédition dans tout trou ou fente inutilisé.



#### RÉGLAGE DU BAS

1. Retirez les vis d'expédition si ce n'est pas déjà fait. Desserrez les vis (rondelles en étoile).



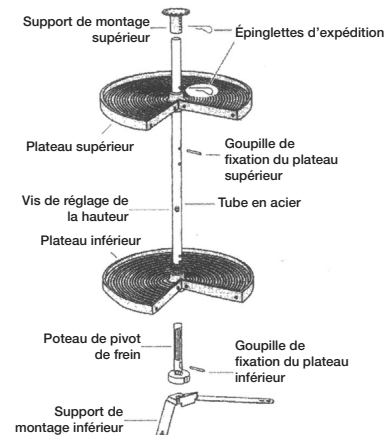
2. Ajustez le support de montage pour corriger l'écart entre les côtés de la porte et le cadre en bas.
3. Serrez, vérifiez et répétez si nécessaire.

### RETRAIT de l'unité Lazy Daisy® Susan

Dans le cas peu probable où l'ensemble de l'unité Lazy Daisy Susan doit être retiré, veuillez suivre ces instructions :

1. Détachez les portes des plateaux supérieur et inférieur.
2. Retirez les broches d'expédition situées au-dessus du plateau supérieur.
3. Soulevez le plateau inférieur et retirez la goupille de fixation du plateau inférieur.
4. Soulevez le plateau supérieur et retirez la goupille de fixation du plateau supérieur.
5. Retirez les vis du support de montage supérieur.
6. Soulevez les deux plateaux jusqu'au milieu de l'armoire. Inclinez le tube et retirez le support de montage supérieur.
7. Inclinez le bas du tube et retirez le pivot de frein.
8. Faites pivoter les plateaux afin que l'unité complète puisse être retirée de l'armoire.
9. Retirez les plateaux du tube.
10. Retirez le support de montage inférieur.

### DESSIN DES PIÈCES DÉCOUPÉES EN TARTE DU SYSTÈME 9



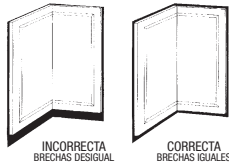
I-LD-FRE-3002



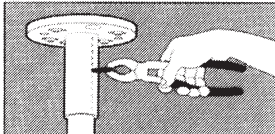
**LAZY DAISY**  
BY **REV-A-SHELF**

## SISTEMA 9 AJUSTAMIENTO INSTRUCCIONES

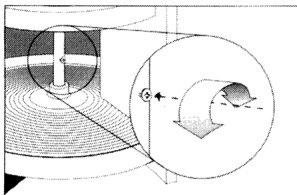
### PARA AJUSTAR LA ALTURA DE LA PUERTA



1. Se deben quitar los pasadores de envío antes de intentar ajustar la altura. Necesitará utilizar unos alicates.



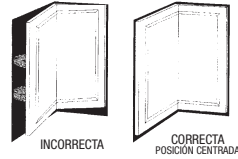
2. Gire las puertas hacia la derecha, exponiendo el tornillo de ajuste de altura.



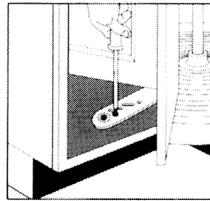
3. Gire el tornillo hacia la derecha para subir las puertas y gírelo hacia la izquierda para bajarlas.

*\*No es necesario descargar las bandejas para ajustarlas (hasta 100 lbs.)*

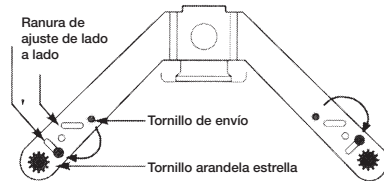
### PARA AJUSTAR LA ALINEACIÓN DE CIERRE DE LA PUERTA



1. Abra las puertas para que se pueda ver un lado del soporte de montaje inferior.
2. Retire el tornillo de envío y afloje el tornillo de la arandela de estrella. Si la puerta no está alineada con la izquierda, inserte el tornillo de envío en el lado derecho de la ranura como se muestra. Invierta si la alineación está hacia la derecha. Repita en ambos lados del soporte de montaje inferior.

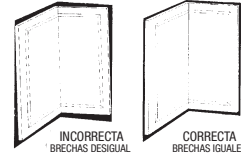


Ranura de alineación de la puerta



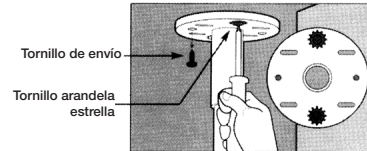
3. Gire el soporte hacia la izquierda o hacia la derecha dependiendo de en qué dirección deben ir las puertas.
4. Apriete los tornillos de alineación de la puerta y ciérrela para verificar la alineación. Repita si es necesario.

### PARA AJUSTAR EL ESPACIO LATERAL/LATERAL



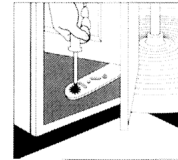
#### AJUSTE SUPERIOR

1. Retire los tornillos de envío. Afloje los tornillos delanteros y traseros (arandelas de estrella).
2. Ajuste el soporte de montaje para corregir el espacio entre los lados de la puerta y el marco en la parte superior.
3. Apretar, comprobar y repetir si es necesario. Vuelva a insertar el tornillo de envío en cualquier orificio o ranura no utilizado.



#### AJUSTE INFERIOR

1. Retire los tornillos de envío si aún no lo ha hecho. Afloje los tornillos (arandela de estrella).
2. Ajuste el soporte de montaje para corregir el espacio entre los lados de la puerta y el marco en la parte inferior.
3. Apretar, comprobar y repetir si es necesario.

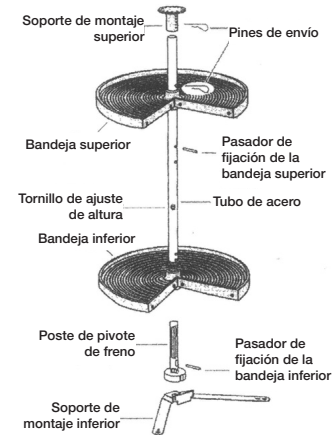


### EXTRACCIÓN de la unidad Lazy Daisy® Susan

En el improbable caso de que sea necesario retirar toda la unidad Lazy Daisy Susan, siga estas instrucciones:

1. Separe las puertas de las bandejas superior e inferior.
2. Retire las clavijas de envío que se encuentran encima de la bandeja superior.
3. Levante la bandeja inferior y retire el pasador de fijación de la bandeja inferior.
4. Levante la bandeja superior y retire el pasador de fijación de la bandeja superior.
5. Retire los tornillos del soporte de montaje superior.
6. Levante ambas bandejas hasta la mitad del gabinete. Incline el tubo y retire el soporte de montaje superior.
7. Incline la parte inferior del tubo y retire el poste de pivote del freno.
8. Gire las bandejas para poder retirar la unidad completa del gabinete.
9. Retire las bandejas del tubo.
10. Retire el soporte de montaje inferior.

### DIBUJO DE PIEZAS CORTADAS EN TARTA DEL SISTEMA 9



**INSTRUCCIONES DE CUIDADO:** Limpie con un paño suave y un detergente o solución jabonosa suave y no abrasivo. Evite las almohadillas rayadoras, etc.

# Instructions for Roll Tray Kit

## Parts Included:

- (1) Roll Tray with Slides Attached
- (1) Pair of Cabinet Member Slides
- (2) 1/8" Snap-on Spacers
- (4) 5/8" Trim Head or Flat Head Wood Screws
- (2) 2-1/2" Trim Head or Flat Head Wood Screws
- (1) RTBP Kit (Includes bumpers & 5/8" screws)

## Tools Needed:

- Phillips Head Screwdriver
- Tape Measure
- Drill
- 3/32" Drill Bit
- 1/8" Drill Bit
- 5/16" Drill Bit
- Marking Tool

---

## Step 1: Pre Drill Face Frame

---

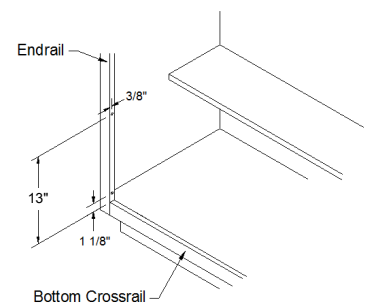
Remove the doors from the cabinet. Measure up from the top of the bottom cross rail of the cabinet face frame to the dimensions below. Make a mark on inside of the end rail at that location. At that mark measure from the outside of the face frame back 3/8" and mark. Where the two marks intersect, predrill a 1/2" deep by 1/8" diameter hole. Repeat step on opposite side of face frame opening.

Installation to Bottom of Cabinet:

- Measure up 1 1/8"

Installation Above Adjustable Shelf:

- Measure up 13"



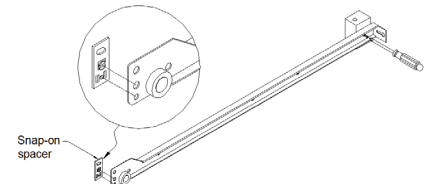
---

## Step 2: Prepare Cabinet Member Slide

---

### Installation to Bottom of Cabinet:

If your cabinet has pre-drilled holes in the back panel, install the cabinet members with back sockets into the pre-drilled holes. If your cabinet does NOT have pre-drilled holes in the back panel, remove the back socket from the cabinet members. Attach cabinet member slide to mounting block with a 5/8" screw. Proceed to Step 3 for further instruction.



### Installation Above Adjustable Shelf:

If your cabinet has pre-drilled holes in the back panel, install the cabinet members with back sockets into the pre-drilled holes. If your cabinet does NOT have pre-drilled holes in the back panel, keep back sockets installed on cabinet members. Proceed to Step 3 for further instruction.

Make sure the slide is oriented as shown in the detail to the right. Snap 1/8" thick roll tray spacer onto cabinet member – as also shown in detail to the right. Repeat step for opposite cabinet member slide.

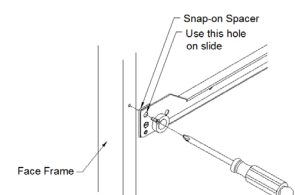
---

## Step 3: Installation of Cabinet Member Slide

---

### Installation to Bottom of Cabinet:

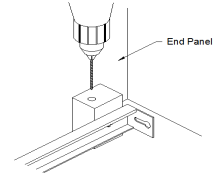
Make sure the slide is oriented as shown in the detail to the right and that the screw is placed in the hole shown. Attach the front of the cabinet member slide and snap-on spacer to the face frame in the pre-drilled hole (refer to step 1) using a 5/8" screw. The spacer should be located between the face frame and the cabinet member slide. Repeat step for opposite cabinet member slide.





### Step 3 - Continued:

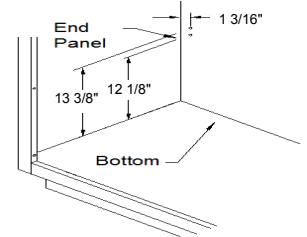
If your cabinet does NOT have pre-drilled holes in the back panel, press and hold the back end of the cabinet member slide with the mounting block attached against the end panel. Using a  $\frac{3}{32}$ " drill bit, pre-drill a hole through the cabinet bottom using the pre-drilled vertical hole on the mounting block as a guide. Make sure the block remains against the end panel or the roll tray will be too tight. Attach the mounting block to the bottom using a  $2\frac{1}{2}$ " screw. Repeat step for opposite cabinet member slide.



#### Installation Above Adjustable Shelf:

If your cabinet does NOT have pre-drilled holes in the back panel, measure up from the bottom of the cabinet  $12\frac{1}{8}$ " and  $13\frac{3}{8}$ " and make a mark on the back of the cabinet. From the end panel, measure in  $1\frac{3}{16}$ " and mark. Where the two marks intersect, pre-drill a  $\frac{5}{16}$ " diameter hole thru the back panel. Install cabinet member with the back socket in the pre-drilled holes. Repeat step for opposite cabinet member slide.

Make sure the slide is oriented as shown in the detail and that the screw is placed in the correct hole shown. Attach the front of the cabinet member slide and the spacer to the face frame in the pre-drilled hole (refer to step 1) using a  $\frac{5}{8}$ " screw. The spacer should be located between the face frame and the cabinet member slide. Repeat step for opposite cabinet member slide.

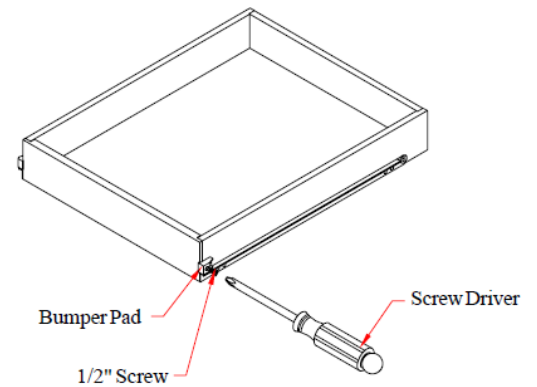
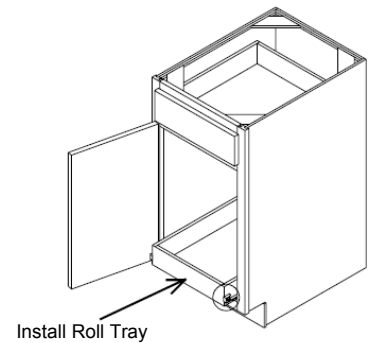


### Step 4: Installation of Roll Tray Bumper Protector Kit

Place the bumper directly on top of the roll tray guide and along the edge of the roll tray front. Fasten the bumper to the roll tray with the  $\frac{1}{2}$ " screw provided. Slide the roll tray into the cabinet members located on the slide rail assemblies. Reattach the cabinet doors.

#### Utility Cabinet Installation:

If installing roll trays into a utility cabinet, please reference Steps 1-4 above. Once the desired roll tray mounting height(s) is/are determined, please adjust referenced dimensions to accommodate newly desired heights.



# Instructions pour le kit de plateau à rouleaux

## Pièces incluses :

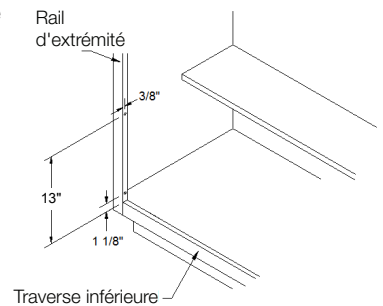
- (1) Plateau à rouleaux avec diapositives attachées
- (1) Paire de diapositives pour membres du Cabinet
- (2) Entretoises à clipser 1/8"
- (4) Vis à bois à tête ronde ou à tête plate de 5/8 po
- (2) Vis à bois à tête ronde ou à tête plate de 2-1/2 po
- (1) Kit RTBP (comprend des pare-chocs et des vis 5/8")

## Outils nécessaires:

- Tournevis cruciforme Ruban à mesurer
- Percer
- Foret 3/32"
- Foret 1/8"
- Foret 5/16"
- Outil de marquage

## Étape 1 : Cadre facial pré-percé

Retirez les portes de l'armoire. Mesurez à partir du haut de la traverse inférieure du cadre de façade de l'armoire jusqu'aux dimensions ci-dessous. Faites une marque à l'intérieur du rail d'extrémité à cet endroit. À cette marque, mesurez à partir de l'extérieur du cadre du visage en arrière de 3/8" et marquez. À l'intersection des deux marques, percez un trou de 1/2" de profondeur et 1/8" de diamètre. Répétez l'étape du côté opposé de l'ouverture du cadre du visage.



Installation au bas de l'armoire :

- Mesurez jusqu'à 1 1/8"

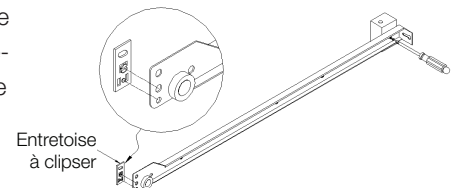
Installation au-dessus d'une étagère réglable :

- Mesurez jusqu'à 13"

## Étape 2 : Préparer la diapositive des membres du cabinet

### Installation au bas de l'armoire :

Si votre armoire comporte des trous pré-perçés dans le panneau arrière, installez les éléments de l'armoire avec des prises arrière dans les trous pré-perçés. Si votre armoire n'a PAS de trous pré-perçés dans le panneau arrière, retirez la prise arrière des membres de l'armoire. Fixez la glissière du membre de l'armoire au bloc de montage avec une vis de 5/8". Passez à l'étape 3 pour des instructions supplémentaires.



### Installation au-dessus d'une étagère réglable :

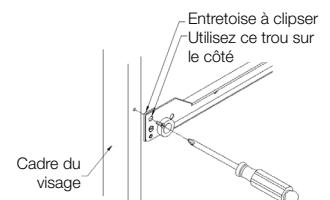
Si votre armoire comporte des trous pré-perçés dans le panneau arrière, installez les éléments de l'armoire avec des prises arrière dans les trous pré-perçés. Si votre armoire n'a PAS de trous pré-perçés dans le panneau arrière, laissez les prises arrière installées sur les membres de l'armoire. Passez à l'étape 3 pour des instructions supplémentaires.

Assurez-vous que la diapositive est orientée comme indiqué dans le détail à droite. Enclenchez l'entretoise du plateau à rouleaux de 1/8" d'épaisseur sur le membre de l'armoire - comme également illustré en détail à droite. Répétez l'étape pour la diapositive du membre opposé du cabinet.

## Étape 3 : Installation de la diapositive des membres du cabinet

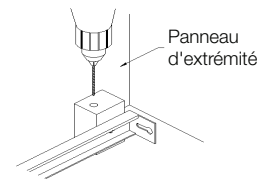
### Installation au bas de l'armoire :

Assurez-vous que la glissière est orientée comme indiqué dans le détail à droite et que la vis est placée dans le trou indiqué. Fixez l'avant de la glissière du membre de l'armoire et de l'entretoise encliquetable au cadre avant dans le trou pré-percé (voir l'étape 1) à l'aide d'une vis de 5/8 po. L'entretoise doit être située entre le cadre avant et la glissière du membre de l'armoire. Répétez l'étape pour la diapositive du membre opposé du cabinet.



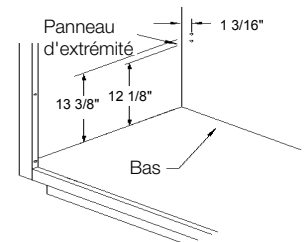
## Étape 3 - suite :

Si votre armoire n'a PAS de trous pré-perçés dans le panneau arrière, appuyez et maintenez l'extrémité arrière de la glissière du membre de l'armoire avec le bloc de montage fixé contre le panneau d'extrémité. À l'aide d'un foret de 3/32", pré-percez un trou dans le bas de l'armoire en utilisant le trou vertical pré-percé sur le bloc de montage comme guide. Assurez-vous que le bloc reste contre le panneau d'extrémité, sinon le plateau à rouleaux sera trop serré. Fixez le bloc de montage au bas à l'aide d'une vis de 2 1/2". Répétez l'étape pour la diapositive du membre opposé du cabinet.



### Installation au-dessus d'une étagère réglable :

Si votre armoire n'a PAS de trous pré-perçés dans le panneau arrière, mesurez à partir du bas de l'armoire 12 1/8" et 13 3/8" et faites une marque à l'arrière de l'armoire. À partir du panneau d'extrémité, mesurez 1 3/16" et marquez. À l'intersection des deux marques, pré-percez un trou de 5/16" de diamètre à travers le panneau arrière. Installez le membre de l'armoire avec la prise arrière dans les trous pré-perçés. Répétez l'étape pour la diapositive du membre opposé du cabinet.



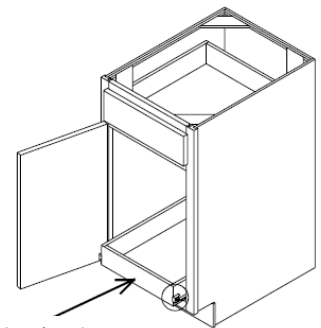
Assurez-vous que la glissière est orientée comme indiqué dans le détail et que la vis est placée dans le bon trou indiqué. Fixez l'avant de la glissière du membre de l'armoire et l'entretoise au cadre avant dans le trou pré-percé (voir l'étape 1) à l'aide d'une vis de 5/8 po. L'entretoise doit être située entre le cadre avant et la glissière du membre de l'armoire. Répétez l'étape pour la diapositive du membre opposé du cabinet.

## Étape 4 : Installation du kit de protection de pare-chocs du plateau à rouleaux

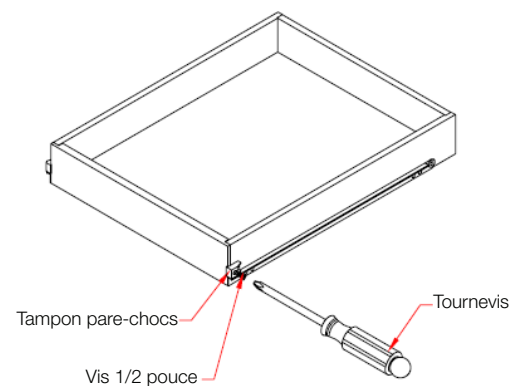
Placez le pare-chocs directement sur le guide du plateau à rouleaux et le long du bord avant du plateau à rouleaux. Fixez le pare-chocs au plateau à rouleaux avec la vis 1/2" fournie. Faites glisser le plateau à rouleaux dans les éléments de l'armoire situés sur les ensembles de rails coulissants. Remettez les portes de l'armoire en place.

### Installation d'armoire utilitaire :

Si vous installez des plateaux à rouleaux dans une armoire utilitaire, veuillez vous référer aux étapes 1 à 4 ci-dessus. Une fois que la ou les hauteurs de montage du plateau à rouleaux souhaitées sont déterminées, veuillez ajuster les dimensions référencées pour s'adapter aux nouvelles hauteurs souhaitées.



Installer le bac à rouleaux



# Instrucciones para el kit de bandeja enrollable

## Piezas incluidas:

- (1) Bandeja enrollable con diapositivas adjuntas
- (1) Par de diapositivas para miembros del gabinete
- (2) Espaciadores a presión de 1/8"
- (4) Tornillos para madera de cabeza plana o de cabeza embellecedora de 5/8"
- (2) Tornillos para madera de cabeza plana o de cabeza embellecedora de 2-1/2"
- (1) Kit RTBP (incluye topes y tornillos de 5/8")

## Herramientas necesarias:

- Destornillador Phillips Cinta métrica
- Perforar
- Broca de 3/32"
- Broca de 1/8"
- Broca de 5/16"
- Herramienta de marcado

## Paso 1: Marco frontal de perforación previa

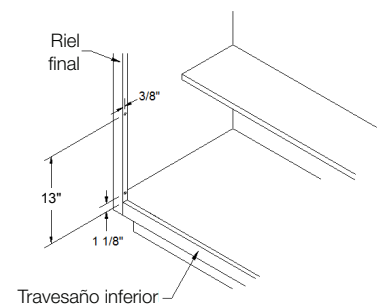
Retire las puertas del gabinete. Mida desde la parte superior del riel transversal inferior del marco frontal del gabinete hasta las dimensiones a continuación. Haga una marca en el interior del riel del extremo en ese lugar. En esa marca, mida desde el exterior del marco frontal hacia atrás 3/8" y marque. Donde las dos marcas se cruzan, taladre previamente un orificio de 1/2" de profundidad por 1/8" de diámetro. Repita el paso en el lado opuesto de la abertura del marco frontal.

Instalación en la parte inferior del gabinete:

- Mida hasta 1 1/8"

Instalación encima del estante ajustable:

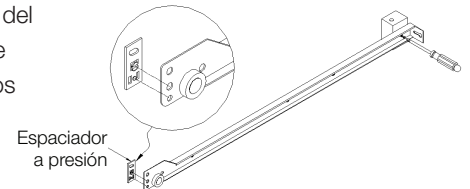
- Mide hasta 13"



## Paso 2: Prepare la diapositiva de los miembros del gabinete

### Instalación en la parte inferior del gabinete:

Si su gabinete tiene orificios previamente perforados en el panel posterior, instale los miembros del gabinete con enchufes traseros en los orificios previamente perforados. Si su gabinete NO tiene orificios previamente perforados en el panel posterior, retire el enchufe posterior de los miembros del gabinete. Fije la corredera del miembro del gabinete al bloque de montaje con un tornillo de 5/8". Continúe con el Paso 3 para obtener más instrucciones.



### Instalación encima del estante ajustable:

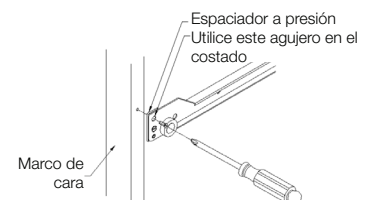
Si su gabinete tiene orificios previamente perforados en el panel posterior, instale los miembros del gabinete con enchufes traseros en los orificios previamente perforados. Si su gabinete NO tiene orificios pretaladrados en el panel posterior, mantenga los enchufes posteriores instalados en los miembros del gabinete. Continúe con el Paso 3 para obtener más instrucciones.

Asegúrese de que la diapositiva esté orientada como se muestra en el detalle de la derecha. Coloque el espaciador de bandeja enrollable de 1/8" de espesor en el miembro del gabinete, como también se muestra en detalle a la derecha. Repita el paso para el deslizador del miembro opuesto del gabinete.

## Paso 3: Instalación del tobogán para miembros del gabinete

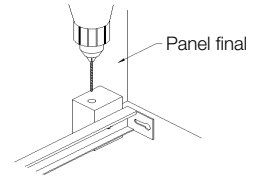
### Instalación en la parte inferior del gabinete:

Asegúrese de que la diapositiva esté orientada como se muestra en el detalle a la derecha y que el tornillo esté colocado en el orificio que se muestra. Fije el frente de la corredera del miembro del gabinete y el espaciador a presión al marco frontal en el orificio pretaladrado (consulte el paso 1) usando un tornillo de 5/8". El espaciador debe ubicarse entre el marco frontal y la corredera del miembro del gabinete. Repita el paso para el deslizador del miembro opuesto del gabinete.



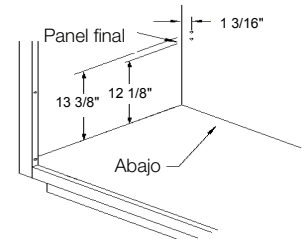
## Paso 3 - continuación:

Si su gabinete NO tiene orificios pretaladrados en el panel posterior, presione y sostenga el extremo posterior de la corredera del miembro del gabinete con el bloque de montaje fijado contra el panel del extremo. Usando una broca de 3/32", Taladre previamente un orificio a través de la parte inferior del gabinete utilizando el orificio vertical previamente perforado en el bloque de montaje como guía. Asegúrese de que el bloque permanezca contra el panel final o la bandeja del rollo quedará demasiado apretada. Fije el bloque de montaje a la parte inferior usando un tornillo de 2 1/2". Repita el paso para el deslizador del miembro opuesto del gabinete.



### Instalación encima del estante ajustable:

Si su gabinete NO tiene orificios pretaladrados en el panel posterior, mida desde la parte inferior del gabinete 12 1/8" y 13 3/8" y haga una marca en la parte posterior del gabinete. Desde el panel final, mida 1 3/16" y márkelo. Donde las dos marcas se cruzan, taladre previamente un orificio de 5/16" de diámetro a través del panel posterior. Instale el miembro del gabinete con el encaje posterior en los orificios previamente perforados. Repita el paso para el deslizador del miembro opuesto del gabinete.



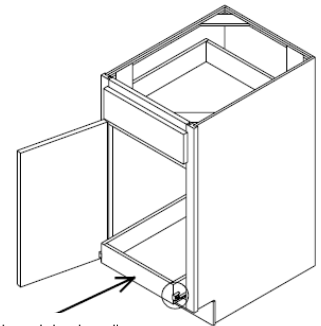
Asegúrese de que la diapositiva esté orientada como se muestra en el detalle y que el tornillo esté colocado en el orificio correcto que se muestra. Fije el frente de la corredera del miembro del gabinete y el espaciador al marco frontal en el orificio pretaladrado (consulte el paso 1) usando un tornillo de 5/8". El espaciador debe ubicarse entre el marco frontal y la corredera del miembro del gabinete. Repita el paso para el deslizador del miembro opuesto del gabinete.

## Paso 4: Instalación del kit protector de parachoques de la bandeja enrollable

Coloque el parachoques directamente encima de la guía de la bandeja de rollo y a lo largo del borde del frente de la bandeja de rollo. Fije el parachoques a la bandeja del rollo con el tornillo de 1/2" provisto. Deslice la bandeja del rollo dentro de los miembros del gabinete ubicados en los conjuntos de rieles deslizantes. Vuelva a colocar las puertas del gabinete.

### Instalación del gabinete de servicios públicos:

Si instala bandejas enrollables en un gabinete de servicios públicos, consulte los pasos 1 a 4 anteriores. Una vez determinadas las alturas de montaje de la bandeja enrollable deseadas, ajuste las dimensiones referenciadas para adaptarse a las nuevas alturas deseadas.



Instalar la bandeja de rollo

