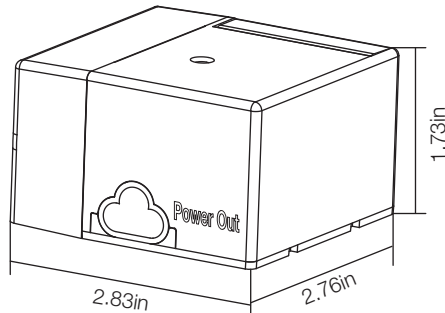


PRODUCT SPECIFICATIONS

External Motion Sensor Accessory



90501001
SKU# 1002225379



ADVANTAGES

- 20ft Range
- Works with LED and Fluorescent Fixtures for Maximun Detection
- Plug-in or Direct Wire Compatible
- For Direct Wire both 1/2" & 7/8" Knockouts can be Accommodated
- Can be Installed with Commercial Electric Linkable Shoplight/Striplight

INCLUDED IN BOX

- Locknut (7/8in) (1)
- Wire Connectors (3)
- Lock Washer (7/8in) (1)
- Connector (1)
- Lock Washer (1/2in) (1)
- Locknut (1/2in) (1)

SPECIFICATIONS

Model Number	90501001
SKU	1002225379
OSMID	300189284
Power	N/A
AC Voltage, Frequency	120V, 60 Hz
Color Temp (nom.)	N/A
Operation Temp	-4°F ~ 113°F
CRI	N/A
Lumen Output (min.)	N/A
Dimming	NO
Lifetime Rating	L70/50000Hrs
Efficacy	N/A

PACKAGING

Weight (±0.5 lb)	0.35 lbs
Size (L x W x H) (±0.1 in)	2.83in x 2.76in x 1.73in
Box Dimensions	4.49in x 2.01in x 7.68in
Gross Weight	0.44 lbs
UPC	849489000879



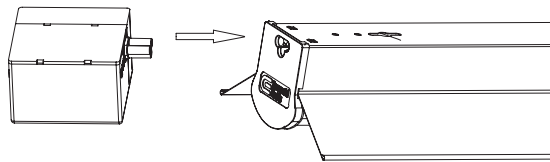
PRODUCT SPECIFICATIONS

External Motion Sensor Accessory

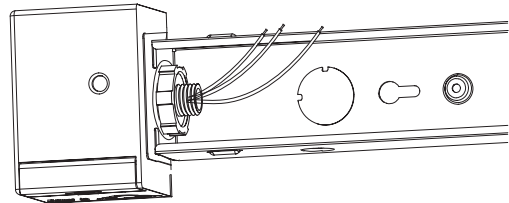


90501001
SKU# 1002225379

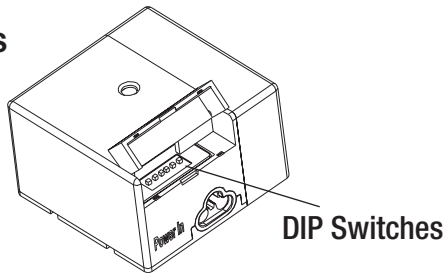
PLUG IN SHOPLIGHT/ STRIP LIGHT INSTALL



DIRECT WIRE INSTALL



DIP SWITCHES



MOTION SENSOR SPECS

Detection Area				Coverage By Install Height		
	DIP 1	DIP 2		10 ft. Ceiling	9 ft. Ceiling	8 ft. Ceiling
I	●	●	100%	40 ft. x 10 ft.	40 ft. x 9 ft.	39 ft. x 8 ft.
II	●	○	75%	36 ft. x 10 ft.	34 ft. x 9 ft.	33 ft. x 8 ft.
III	○	●	50%	26 ft. x 10 ft.	23 ft. x 9 ft.	23 ft. x 8 ft.
IV	○	○	10%	7 ft. x 10 ft.	7 ft. x 9 ft.	7 ft. x 8 ft.

Hold Time				Photocell			
	DIP 3	DIP 4			DIP 5	DIP 6	
I	●	●	5 sec.	I	●	●	Disable
II	●	○	90 sec.	II	●	○	50 lux.
III	○	●	5 min.	III	○	●	10 lux.
IV	○	○	15 min.	IV	○	○	2 lux.

 Denotes Factory Setting