

AllFit^{HD}®

CONTRACTOR GRADE



AF-4045TL TRACTOR LIFT



READ AND FOLLOW ALL SAFETY RULES AND OPERATING
INSTRUCTIONS BEFORE USING THIS EQUIPMENT

Safety Rules



This is the safety alert symbol. It is used to alert you to potential personal injury hazards. Obey all safety messages that follow this symbol to avoid possible injury or death.

Read and understand all safety rules and operating instructions before using this tractor lift.

Follow all safety rules and operating instructions provided by your vehicle's manufacturer when using the tractor lift.

Always disconnect spark plug wire from tractor before beginning any work.

Never allow children or untrained persons to operate vehicle or tractor lift.

Do not climb onto tractor while in the elevated position.

Never lay under the tractor or mowing deck.

Do not attempt to lift the front and back of tractor at the same time.

Do not use tractor lift as an automotive lift, or for any other use for which it is not intended or designed.

If tractor lift is bowing while lifting or lowering your tractor, which indicates an overload condition, remove the tractor immediately.

Never engage blades while using the tractor lift.

Do not add or try to modify the tractor lift in any way. Any modifications will void any warranties.

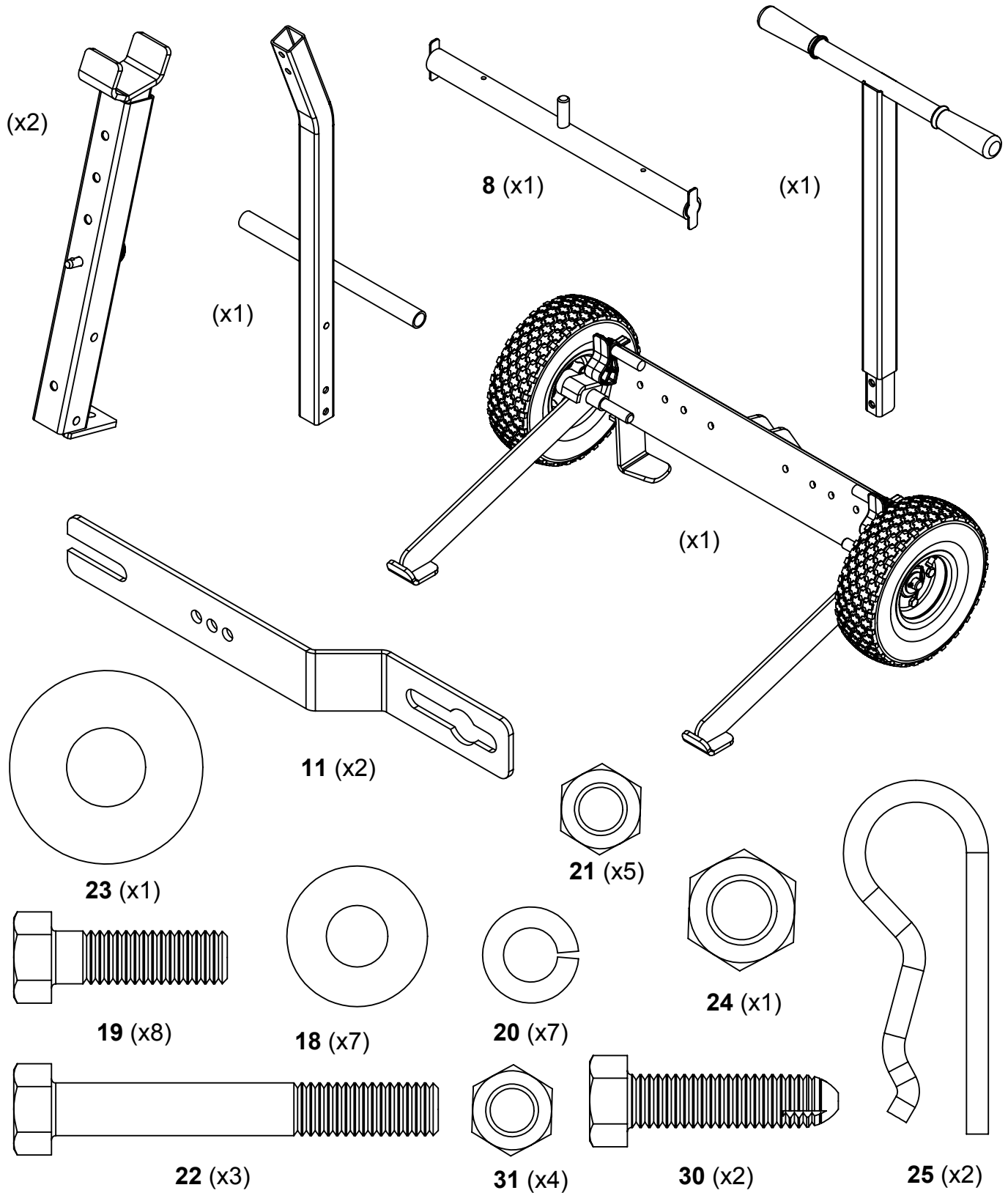
Do not remove warning decals from product.

Check product for worn, loose, or damaged parts before each use. If any damage is present, repair the product before using.

Check product for loose or missing fasteners before each use. Tighten or replace fasteners as needed before using.

Do not exceed Tractor Lifts rated weight capacity of 275 pounds.

Carton Contents

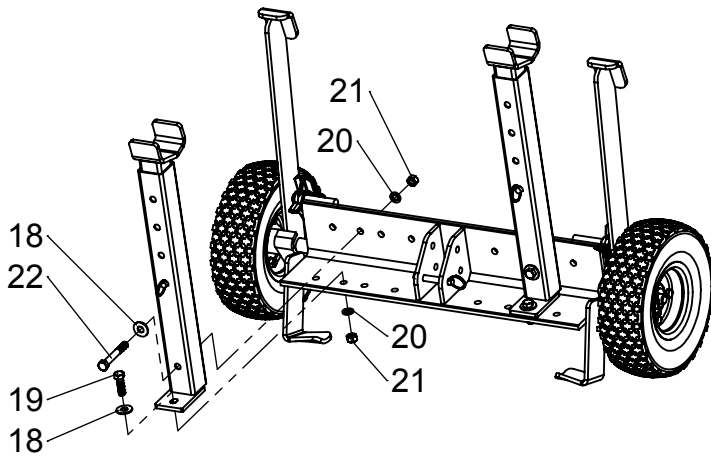


TOOLS REQUIRED FOR ASSEMBLY:

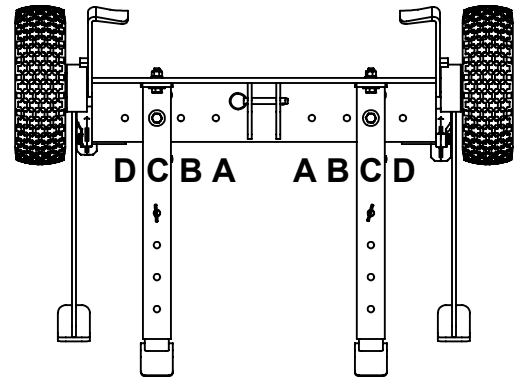
- Adjustable Wrench
- 9/16" Wrench or Socket

Assembly Instructions

- 1** Attach lift tube assemblies to angle frame using bolts, washers, lock washers, and nuts as shown.

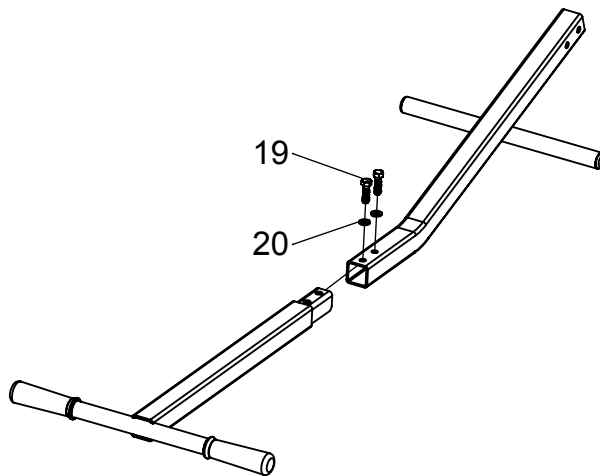


Note: Do not over-tighten bolts

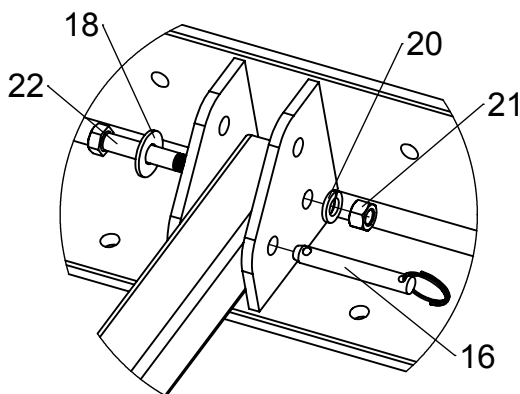


Settings:
A - Push Mower
B - Brush Guard / Bumper
C - Husqvarna Tractor with Lifting Bar
D - Other

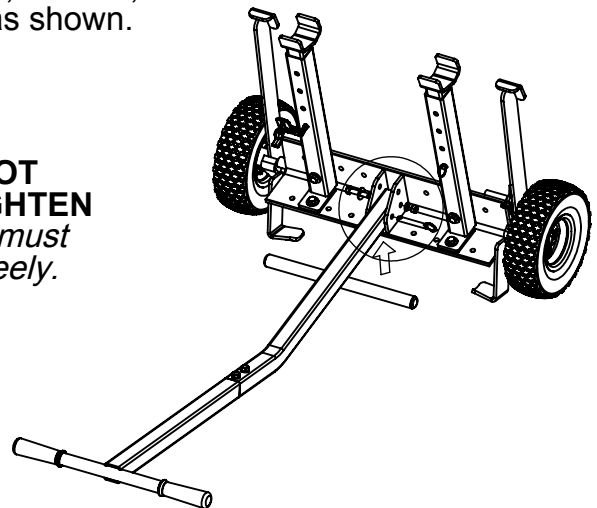
- 2** Insert handle top into handle bottom. Secure with hex bolts and split lock washer.



- 3** Attach handle bottom to angle frame using bolt, washer, split lock washer, and nut. Insert ring grip pin as shown.



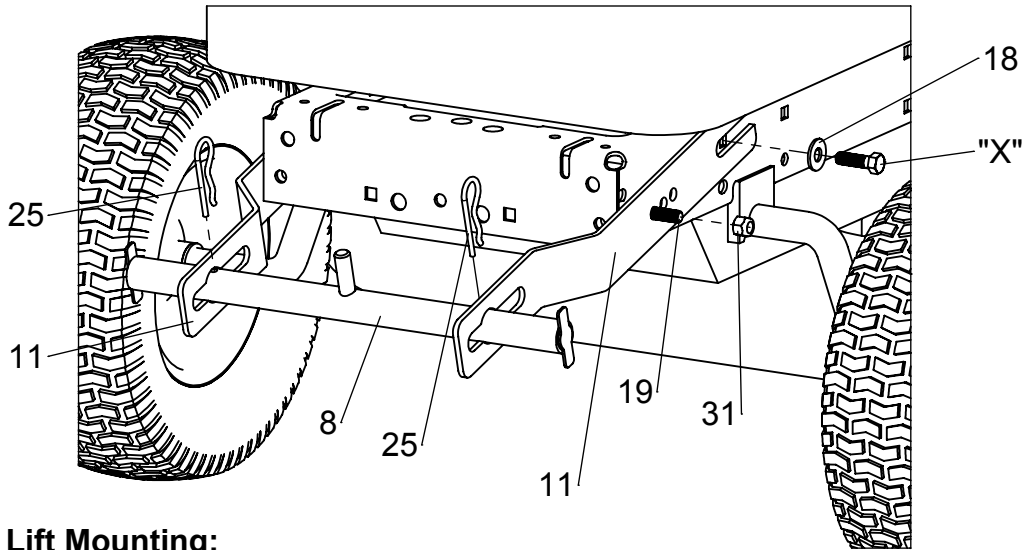
DO NOT OVERTIGHTEN
Handle must pivot freely.



Operating Instructions

Tractor Setup:

- Tractor Lift can be used out of the box on all Husqvarna tractors with bumpers or brush guards.
- For tractors without bumpers or brush guards, Tractor Lift mounting hardware is provided.
- Follow these steps below:

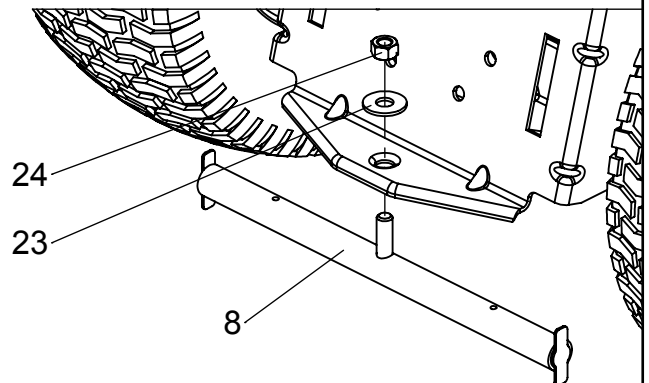


Front Lift Mounting:

- Remove existing bolt "X" and set aside. If tractor does not have this bolt, use supplied 3/8 x 1-1/4" bolt (19) and 3/8" nyloc nut (31).
- Insert bolt through inside front hole of frame, through tractor bracket and secure with nyloc nut.
- Add flat washer under head of bolt removed in earlier step and reinsert through tractor mounting bar and tighten.
- If there is not enough clearance behind the plate to add nut, use provided self-thread bolts (30) in place of standard bolt.
- Slide lifting bar through cut-out in tractor brackets.
- Pin lifting bar in place with one hairpin on each side, inside of tractor brackets.
- Remove brackets during normal operation to prevent damage to tractor.

Rear Lift Mounting:

- Place lifting bar under rear tractor hitch and slide threaded stud through hole.
- Secure in place with flat washer and hex nut.



Operating Instructions

Before Use:

- Be sure to read and follow all safety instructions and warnings. Failure to follow these instructions may result in damage to the product and/or serious personal injury.
- Always check tire pressure.
- Always inspect unit for damage.
- Always check fasteners for tightness.
- Always check to ensure stabilizers are properly in place and stabilizer latches are engaged before starting any work on tractor.
- This tractor lift must be only used for lifting and lowering to and from a level and stable surface.
- Never use in wet conditions.
- Always raise and lower tractor lift in a controlled fashion; do not allow the tractor to drop too quickly, damage could occur.
- Make sure lifting arms are aligned and set to the proper distance apart so that the equipment being loaded is well balanced on the lift.

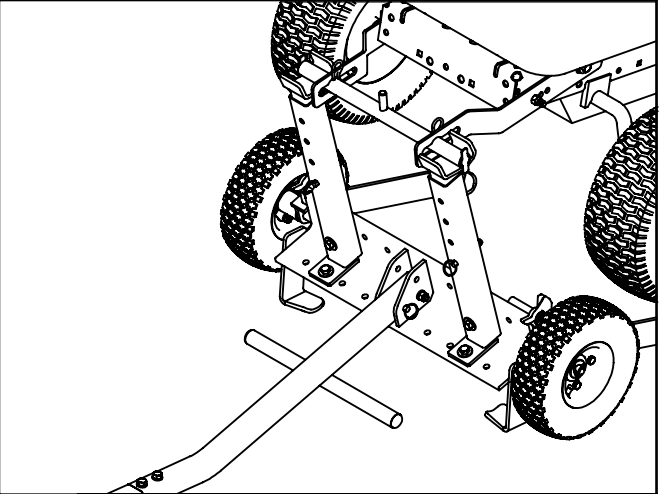
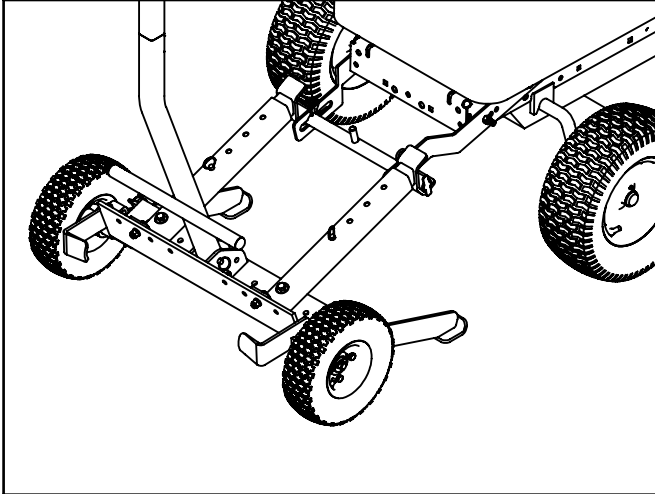
Maintenance:

Store in a clean dry place.

Keep lift surface clean by occasionally cleaning with water and any mild detergent.

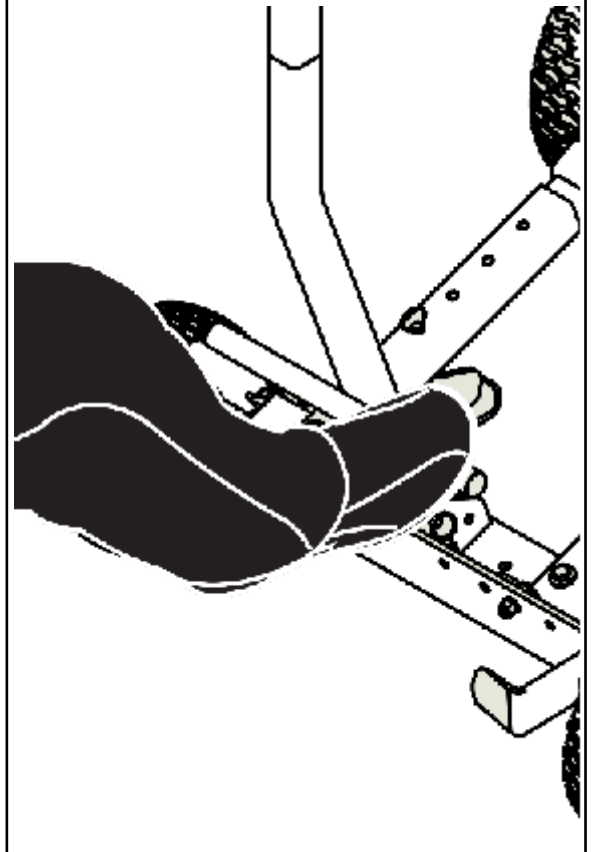
Recommended tire pressure - 30 PSI.

Operating Instructions



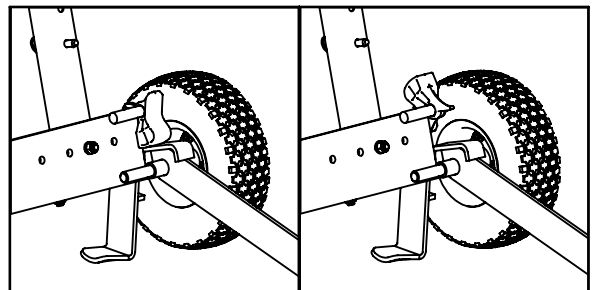
Lifting the Tractor:

- Center Tractor Lift in front of tractor.
- Check that both stabilizers are resting on the ground as shown.
- Align lift tube claws with lifting bar or bumper/brush guard and roll Tractor Lift forward to engage.
- Check that claws are securely hooked under the lifting bar or bumper/brush guard.
- Place foot onto foot bar and apply continuous forward pressure with foot while pulling down on tractor lift handle.
- Once lifted, the weight of the tractor will automatically force the handle down into the correct position.
- Always check that stabilizer latches are in the locked position after lifting tractor.
- Stabilizer latches must be flipped to the unlocked position before lowering tractor.



LOCKED

UNLOCKED



Warranty

If this product fails due to a defect in material or workmanship within TWO YEARS from the date of purchase, we will at our option repair or replace it free of charge. This warranty excludes tires and wheels, which are expendable and become worn during normal use.

This warranty does not cover:

- Repairs necessary because of operator abuse or negligence.
- Equipment used for commercial or rental purposes.
- Paint that is worn or faded due to normal use or exposure.

To arrange for product repair call 1-800-652-2321, or return this product to place of purchase for replacement.

This warranty gives you specific legal rights, and you may also have other rights which may vary from state to state. This warranty applies only while this product is in use in the United States.

In the space below record the purchase date of your Tractor lift.

Model Number: AF-4045TL

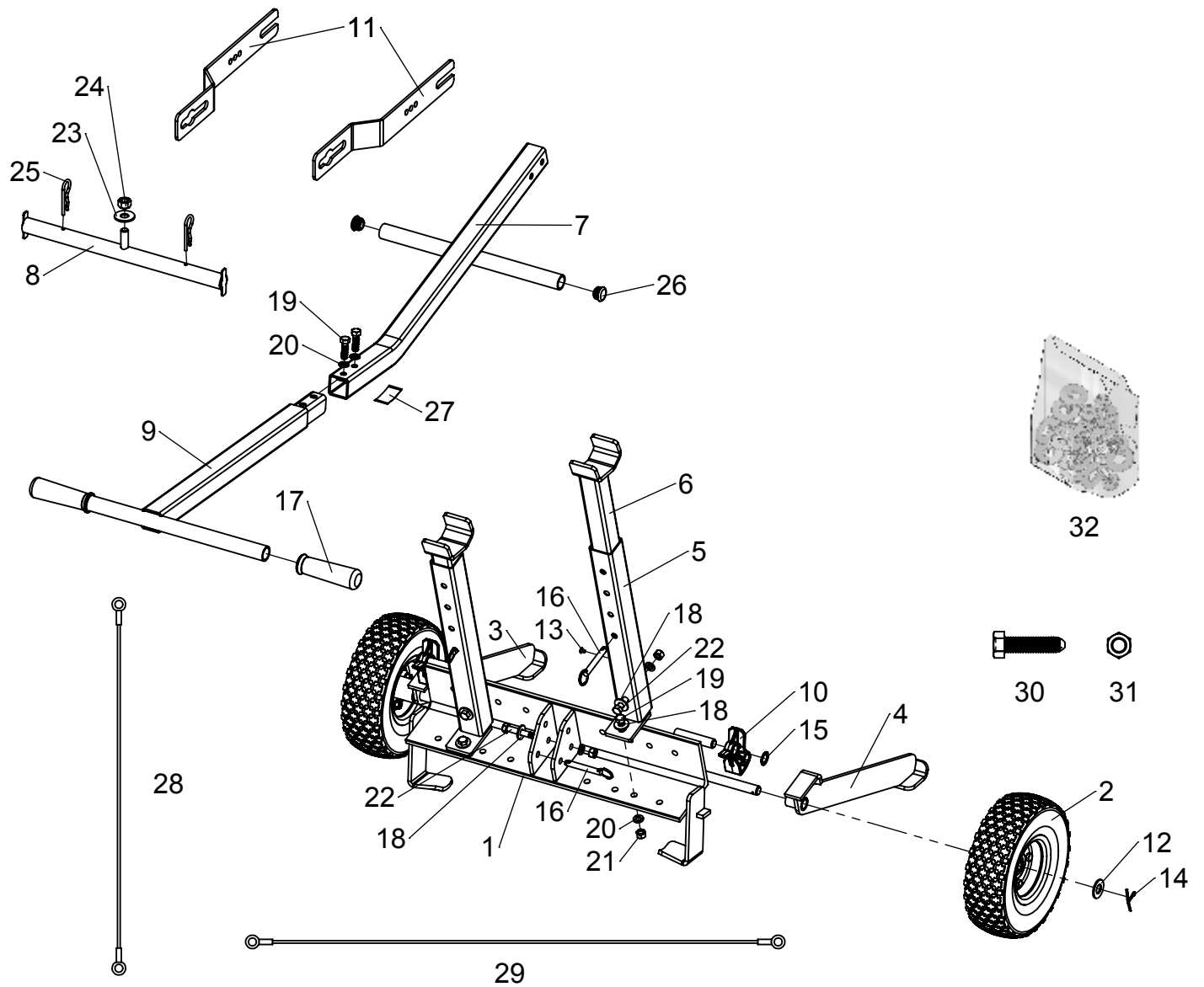
Purchase Date: _____

Keep this Owner's Manual and your receipt in a safe place for future reference. After the two year warranty period all replacement parts may be ordered by calling **1-800-652-2321**.

When ordering replacement parts, always give the following information:

- Product: ALLFIT HD TRACTOR LIFT
- Model Number: AF-4045TL
- Part Number: _____
- Part Description: _____

Repair Parts



ITEM	PART NO	DESCRIPTION	QTY	ITEM	PART NO	DESCRIPTION	QTY
1	6002747	Frame	1	18	310073	3/8" USS Flat Washer	7
2	310011	Wheel, 10" x 5/8"	2	19	310055	3/8"-16 x 1-1/4" Hex Bolt GR5	8
3	6002749	Stabilizer, left	1	20	310072	3/8" Split Lock Washer	7
4	6002750	Stabilizer, right	1	21	310062	3/8"-16 Hex Nut	5
5	6002751	Receiver Tube	2	22	310051	3/8"-16 x 2-3/4" Hex Bolt GR5	3
6	6002752	Lift Tube	2	23	310074	1/2" USS Flat Washer	1
7	6002753	Handle, Bottom	1	24	310063	1/2"-13 Hex Nut	1
8	6002754	Bar, Lifting	1	25	300082	Hairpin Cotter, 148 Wire, 3-5/16"	2
9	6002755	Handle, Top	1	26	310221	Plug, 1" Tube	2
10	6002756	Latch, Safety	2	27	31026	Pad, Scruff	1
11	6002757	Bracket, Tractor	2	28	310272	Lanyard, 9"	3
12	310071	Washer, 5/8" SAE	2	29	310273	Lanyard, 13"	2
13	310222	Pop Rivet, 3/16 x 1/4" Grip	7	30	310054	3/8-16 x 1-1/2" Self-thread bolt	2
14	300081	Cotter Pin 1/8" x 1-1/2"	2	31	310061	3/8" Nyloc Hex Nut	4
15	310341	Retaining Ring, 5/8"	2	32	310038	Hardware Bag	1
16	310081	Pin, Quick-Release	3				
17	310181	Grip, Handle	2				

OHIO *STEEL*
INDUSTRIES

Designed And Tested In Columbus, Ohio

Made in China



MODEL # AF-4045TS

2575 Ferris Road Columbus, OH 43224
(800) 652-2321

(800) 652-2321