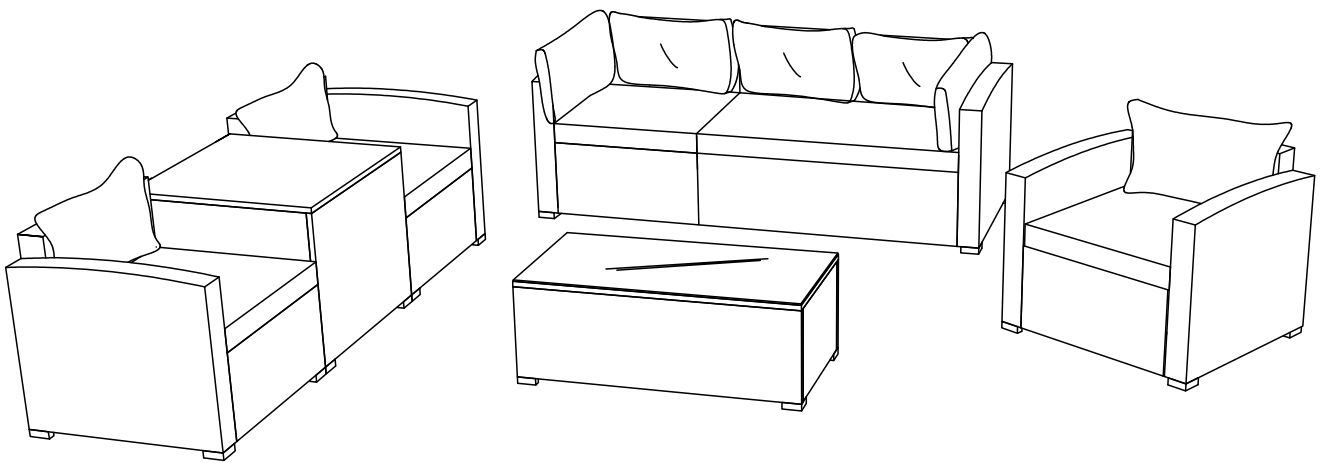


ASSEMBLY INSTRUCTION

7PCS TRIBESIGNS OUTDOOR FURNITURE

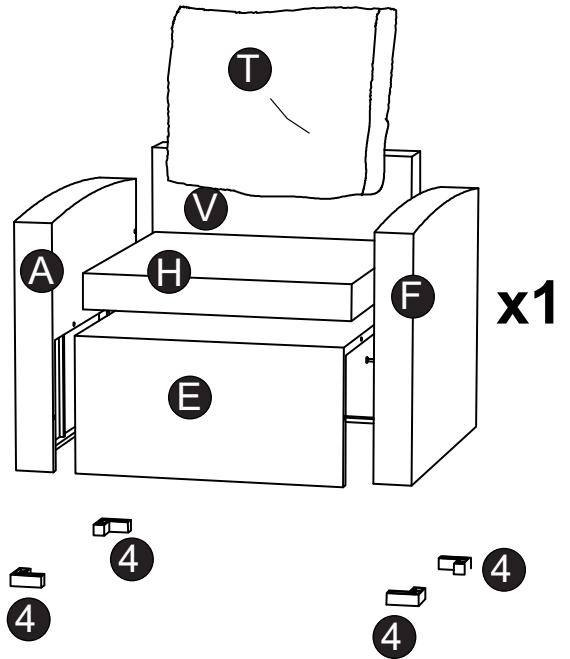
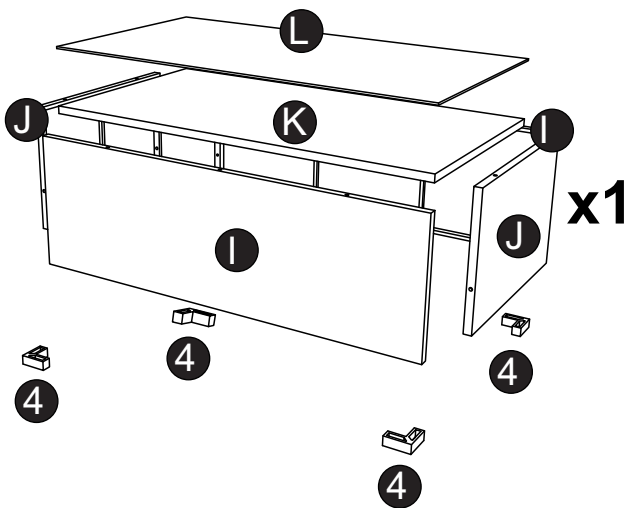
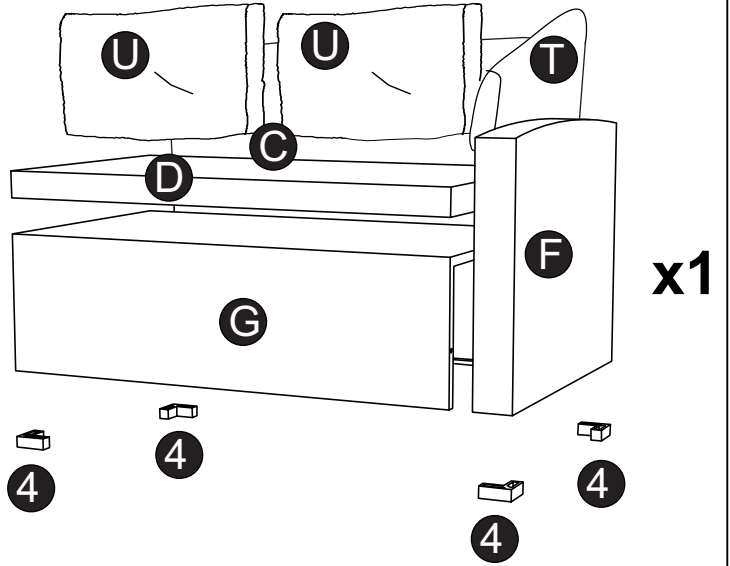
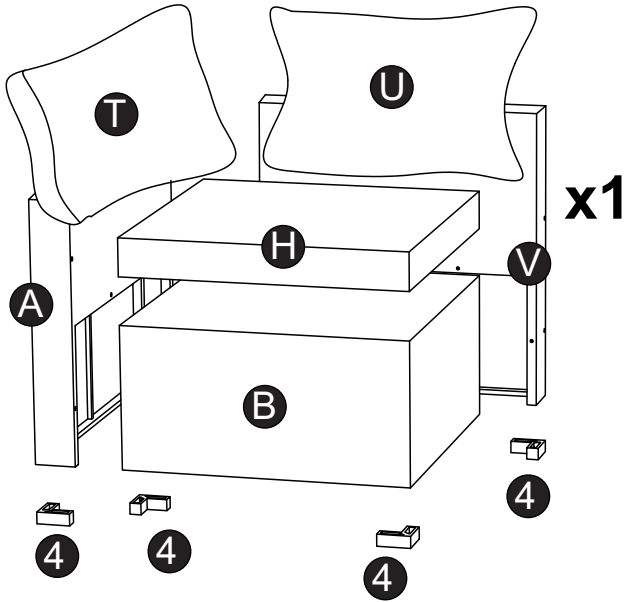


WF281050 ; WF281051 ; WF281052 ; WF281053

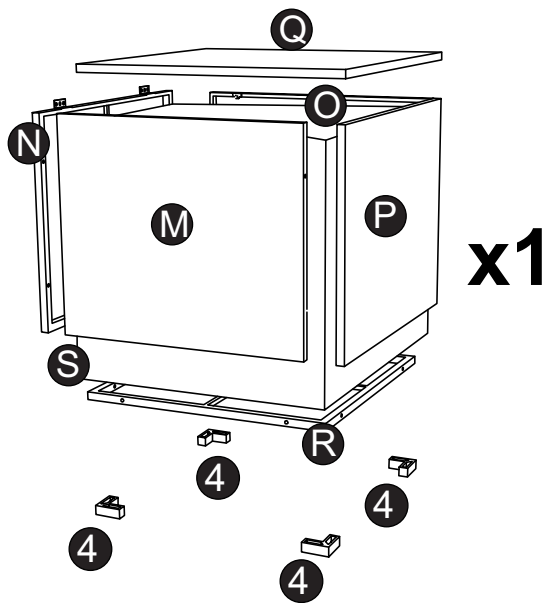
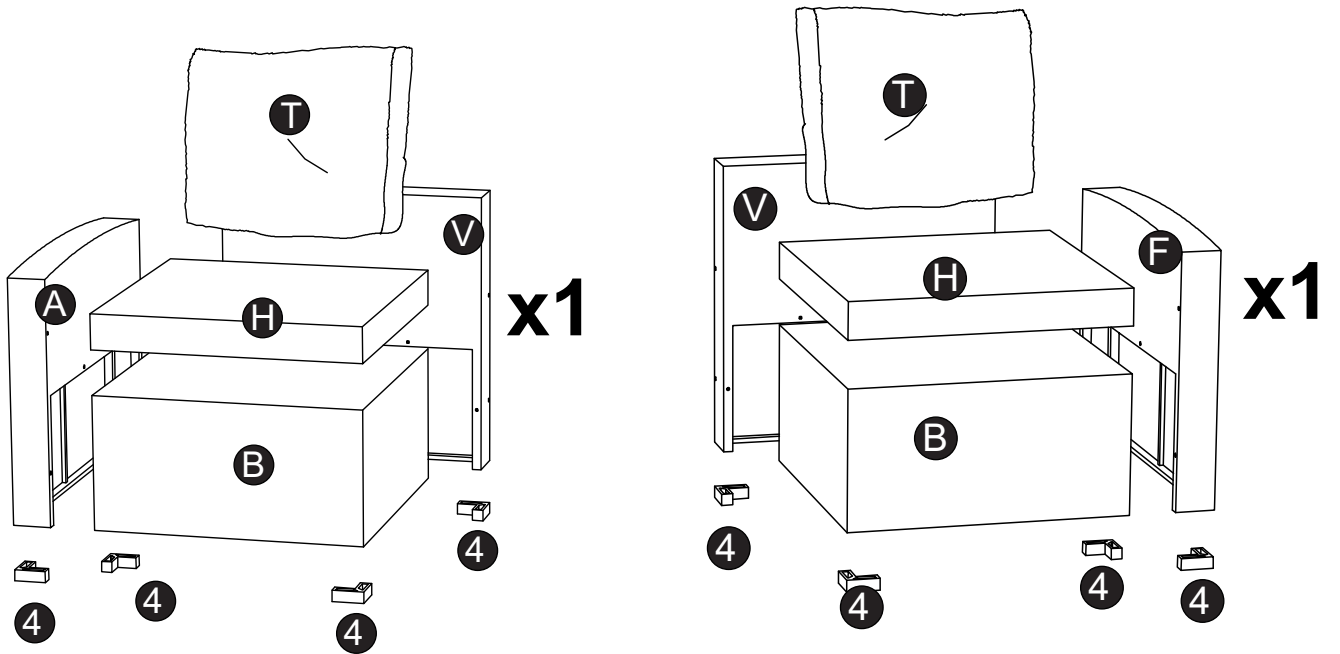
Notice:

1. 50% Tighten before fixing all screws, Allen wrench is recommended instead of an electric drill.
2. Place the item on a flat ground to adjust and make sure it remains stable.
3. Tighten up all screws with tools gradually.
4. If the screws are not aligned with holes during assembly, please loosen all the other screws to 50% and continue the assembly process.
5. If the item is not stable, please loosen all the screws, adjust it on a flat ground and tighten up all screws again.
6. Note : If one or some screws are fully tightened during assembly, chances are the others will not be aligned with holes. In addition, all the holes are designed to be relatively larger to provide more space for the adjustment of the screws.

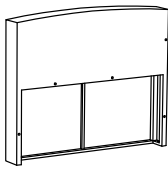

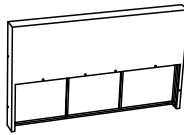
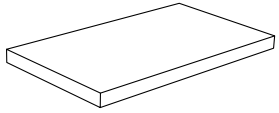
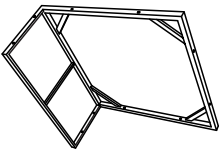
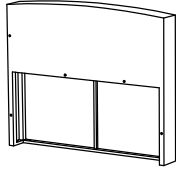
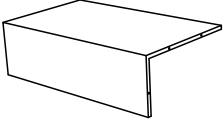
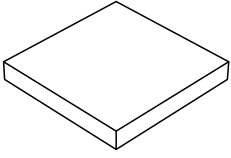
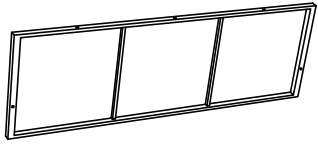
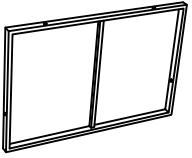
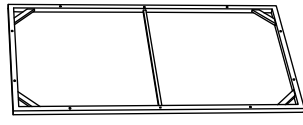

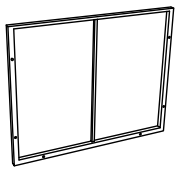
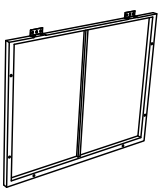
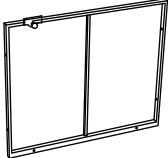
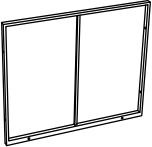
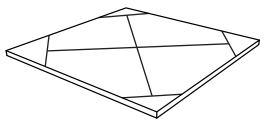
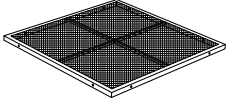
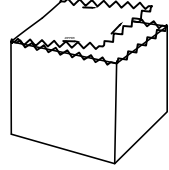
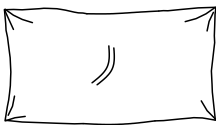
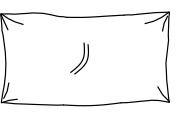
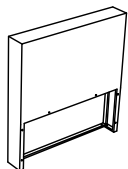



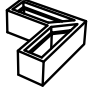

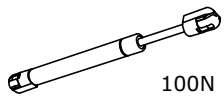
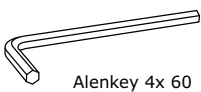
Exploded View



Exploded View

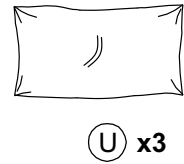
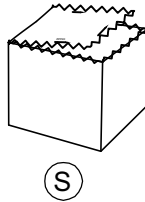
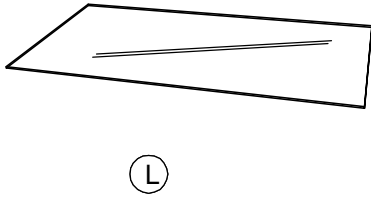
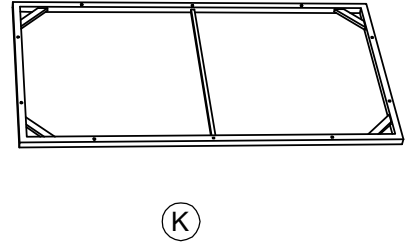
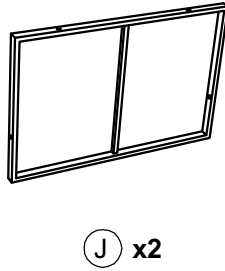
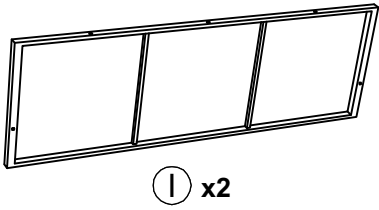
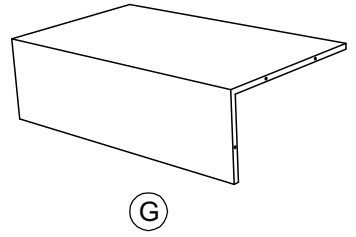
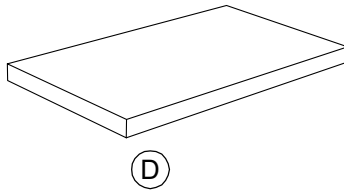
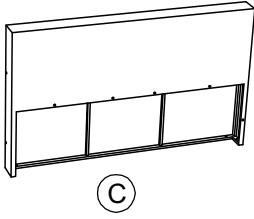


Part List & Hardware

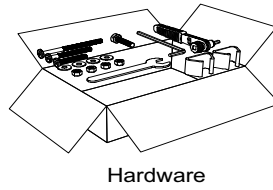
A  (3pcs)	B  (3pcs)	C  (1pc)	D  (1pc)
E  (1pc)	F  (3pcs)	G  (1pc)	H  (4pcs)
I  (2pcs)	J  (2pcs)	K  (1pc)	L  (1pc)
M  (1pc)	N  (1pc)	O  (1pc)	P  (1pc)
Q  (1pc)	R  (1pc)	S  (1pc)	T  (5pcs)
U  (3pcs)	V  (4pcs)		
1  M6x40mm (32pcs)	2  M6x30mm (100pcs)	3  Ø6 x 14 mm (76pcs)	4  (28pcs)
5  M6x20mm (2pcs)	6  100N (1pc)	7  Allenkey 4x 60 (2pcs)	

CARTON CONTENT:

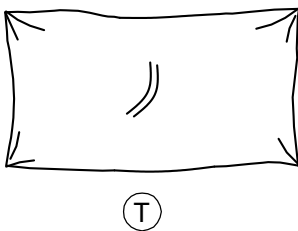
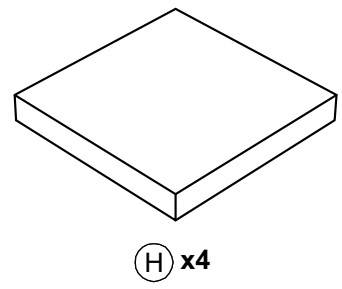
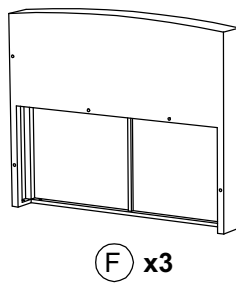
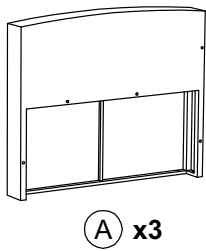
WF281050



AI INCLUDED BOX-WF281050

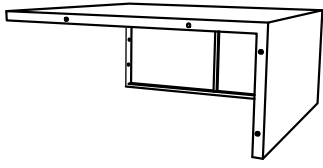


WF281051

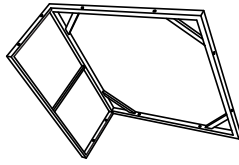


CARTON CONTENT:

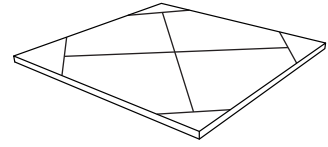
WF281052



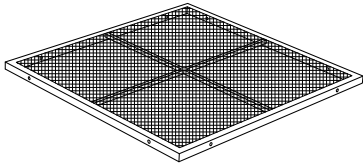
ⓑ x3



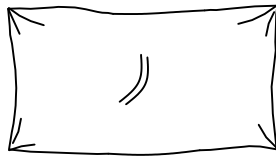
ⓔ



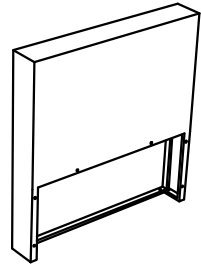
ⓠ



ⓡ

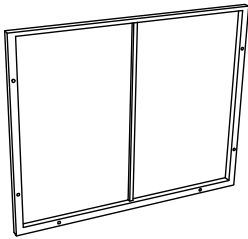


ⓣ x2

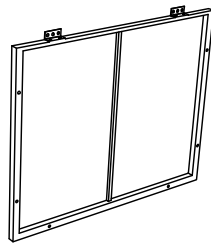


Ⓥ x3

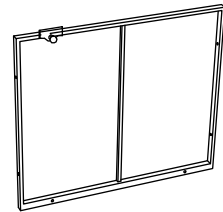
WF281053



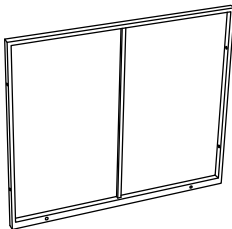
Ⓜ



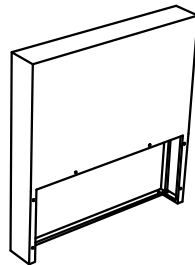
Ⓝ



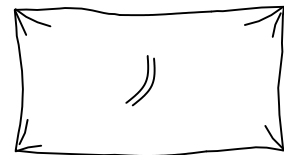
ⓞ



Ⓟ

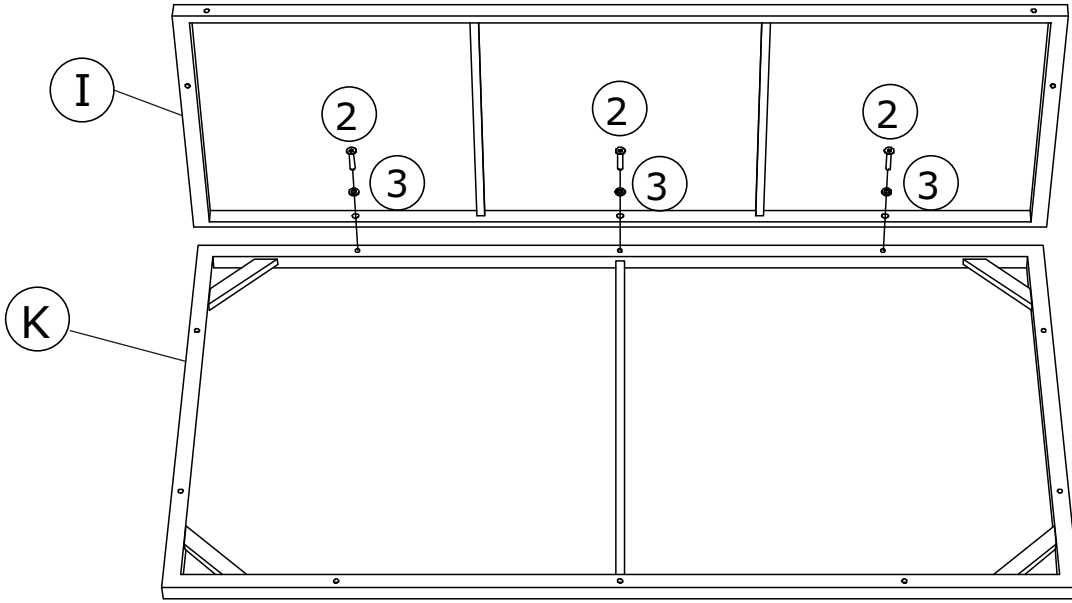
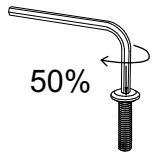


Ⓥ



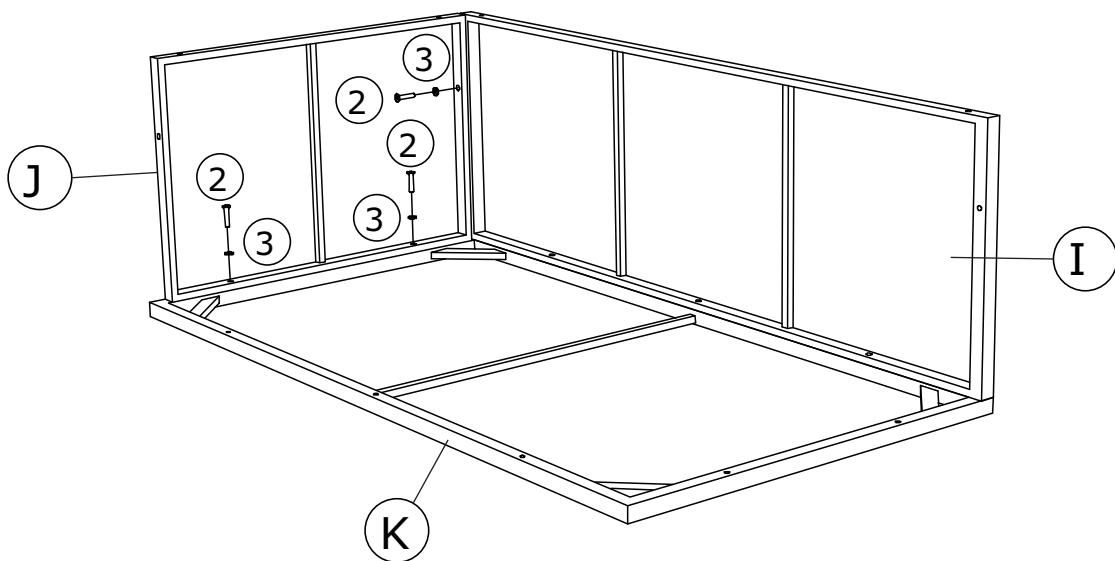
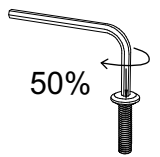
ⓣ x2

Step 1:



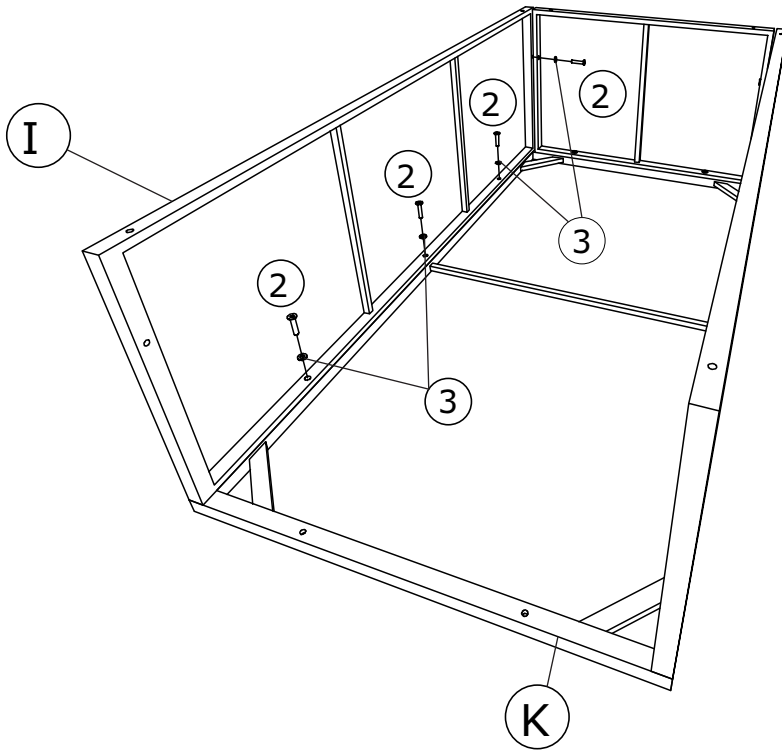
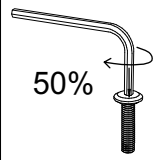
②*3 ③*3 I *1 K *1

Step 2:



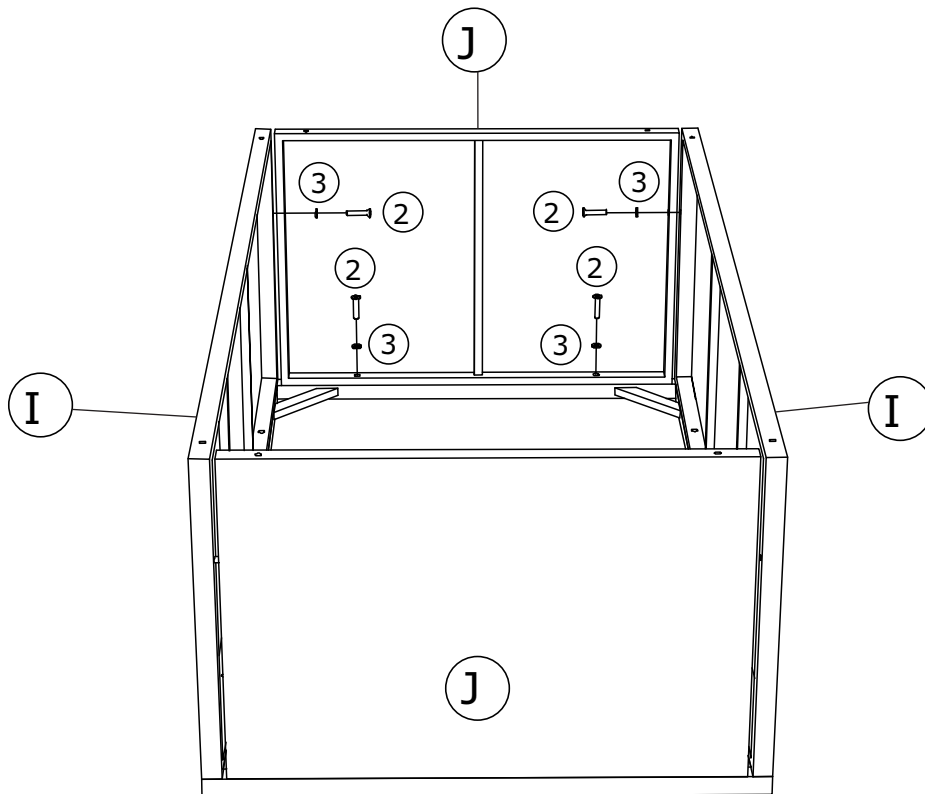
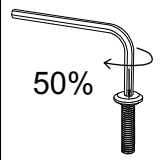
②*3 ③*3 J *1

Step 3:



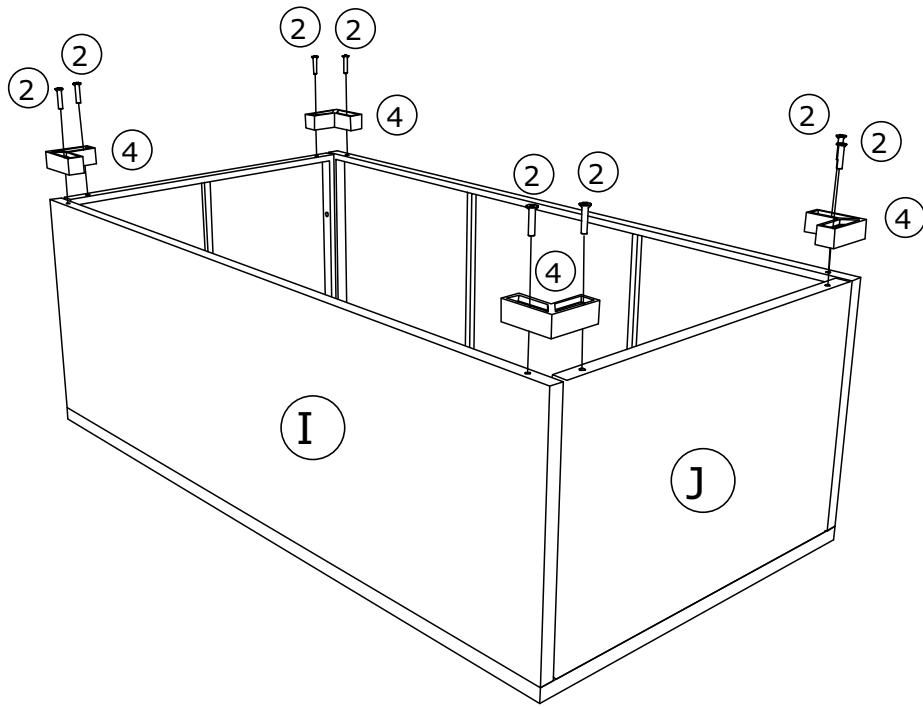
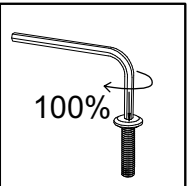
②*4 ③*4 I *1

Step 4:



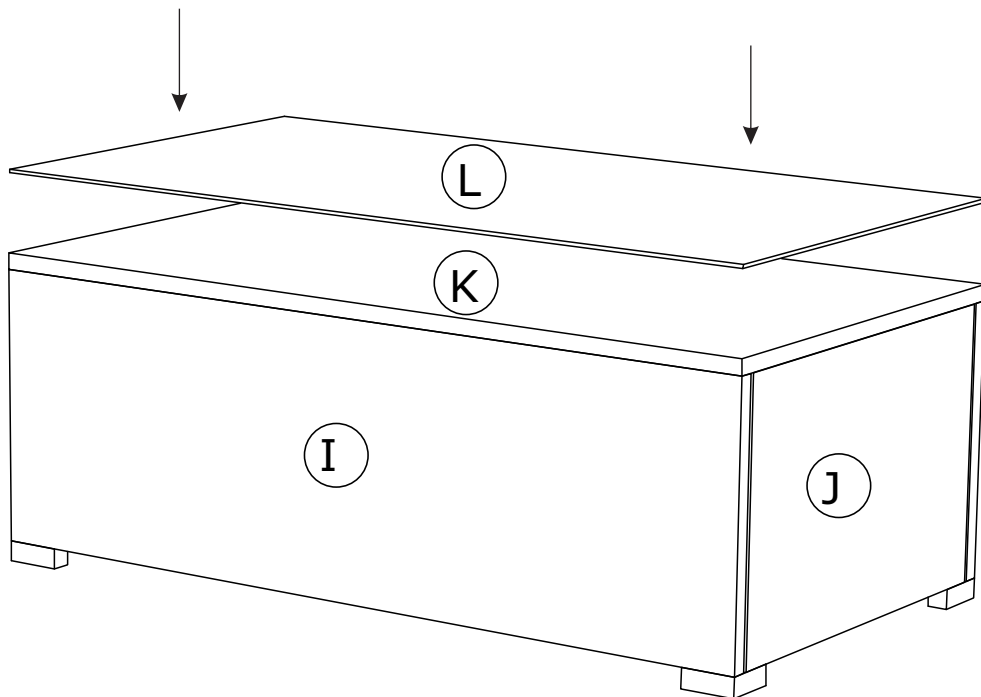
②*4 ③*4 J *1

Step 5:



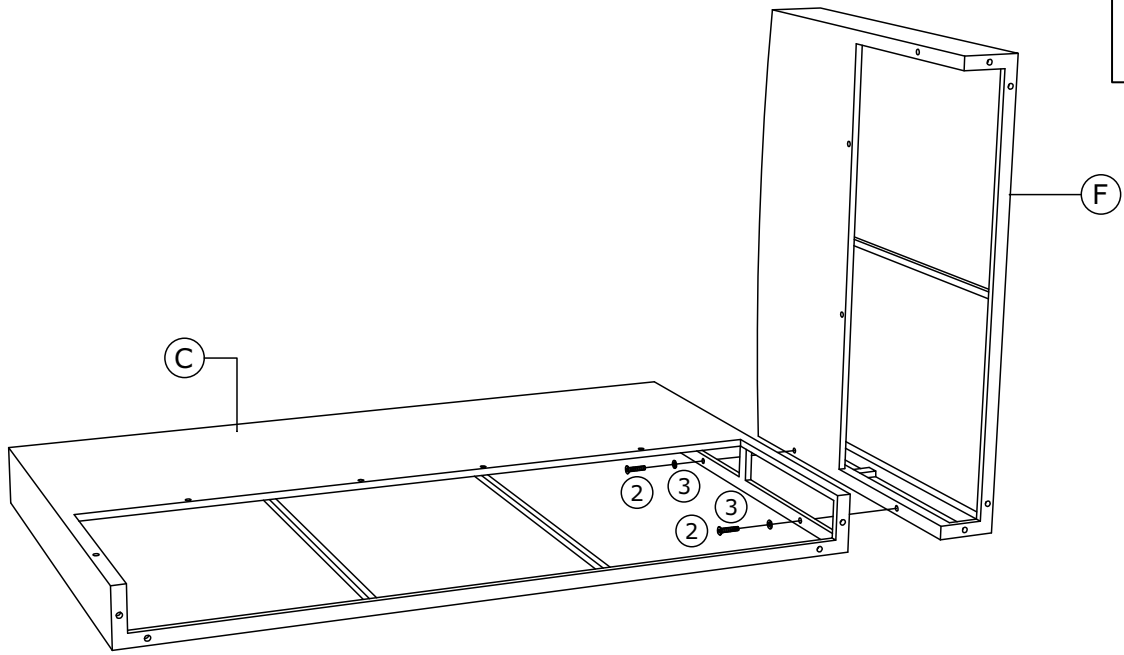
②*8 ④*4

Step 6:



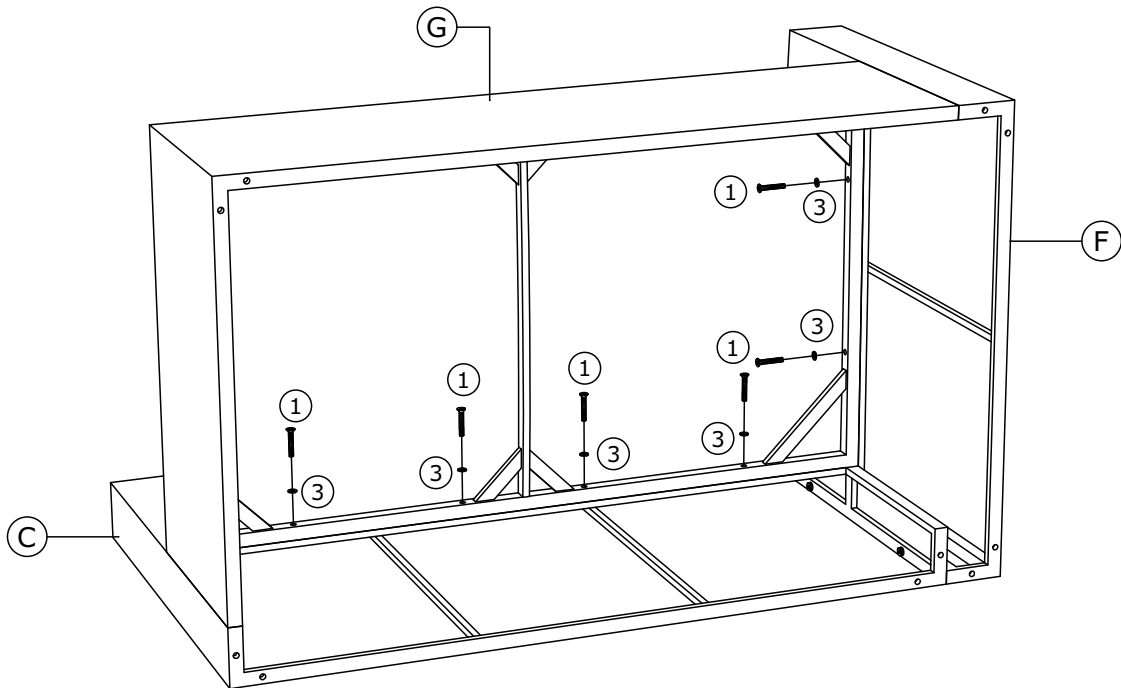
L*1

Step 7:



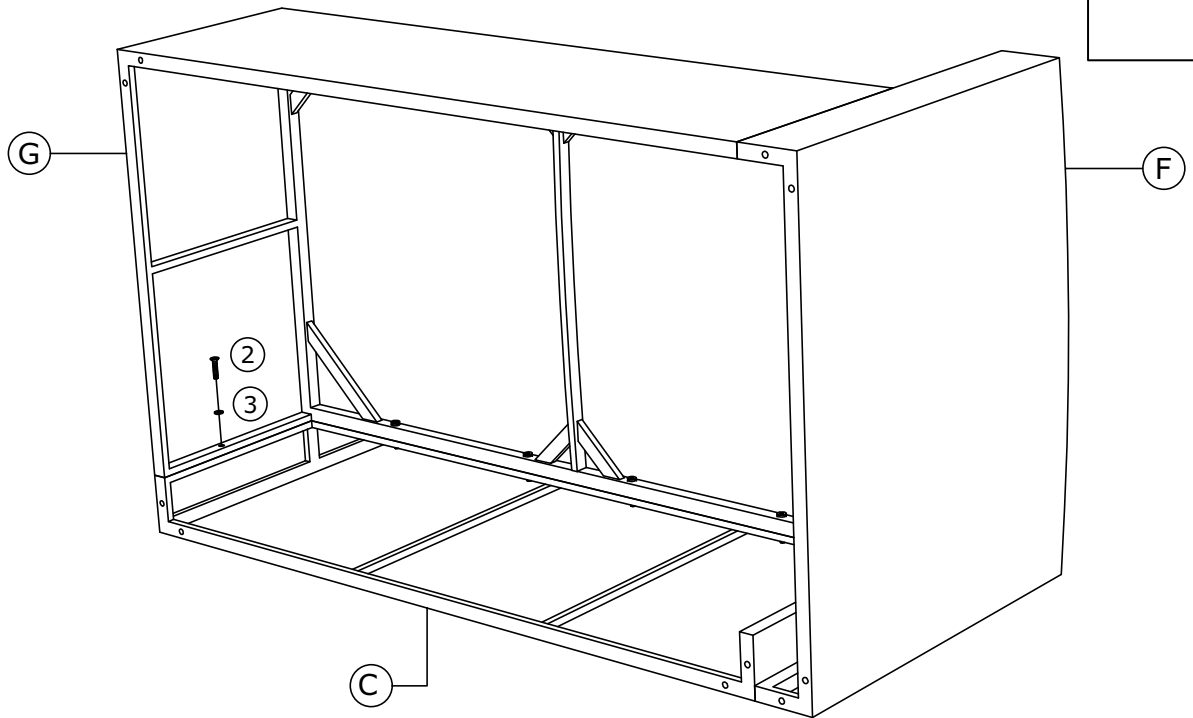
②*2 ③*2 F *1 C *1

Step 8:



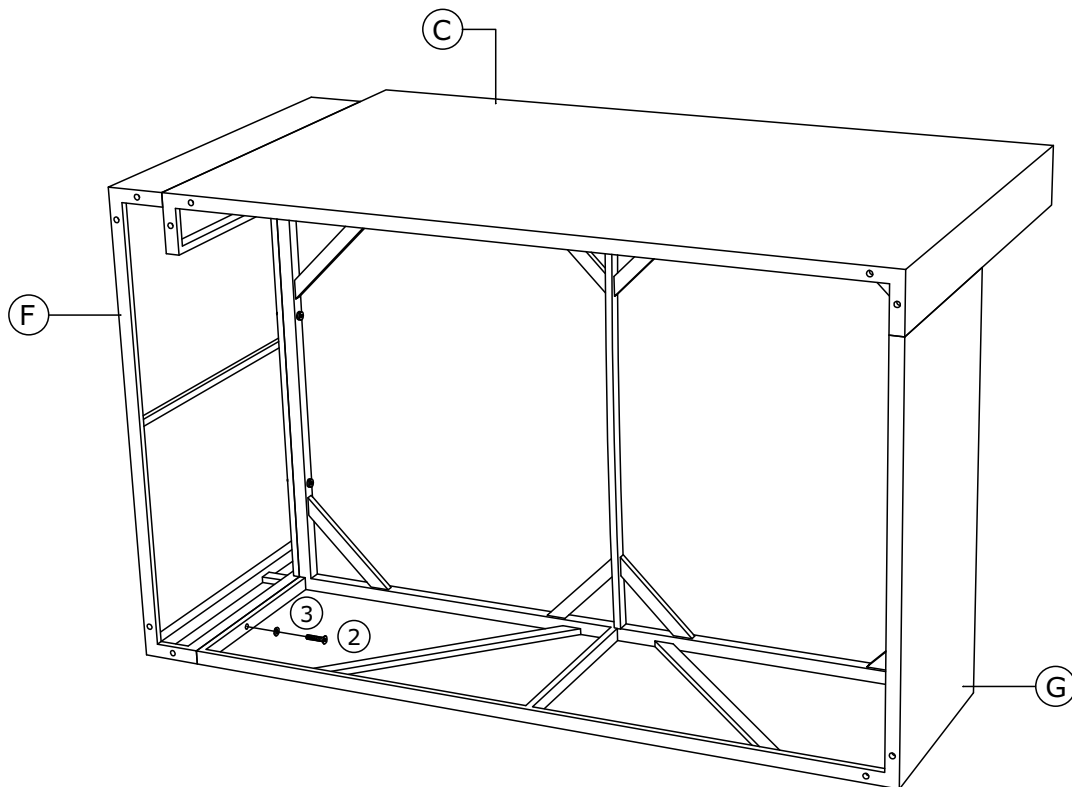
①*6 ③*6 G *1

Step 9:



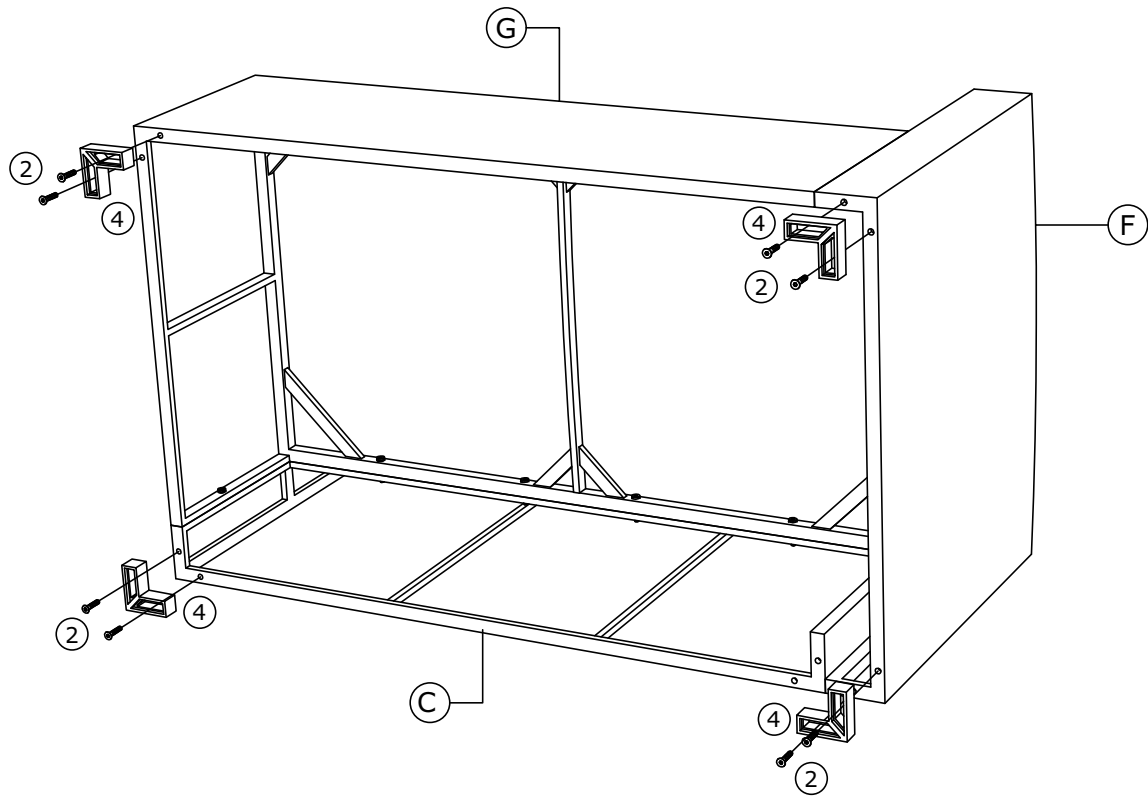
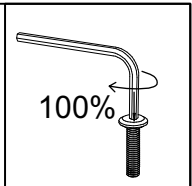
2*1 **3***1

Step 10:

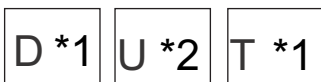
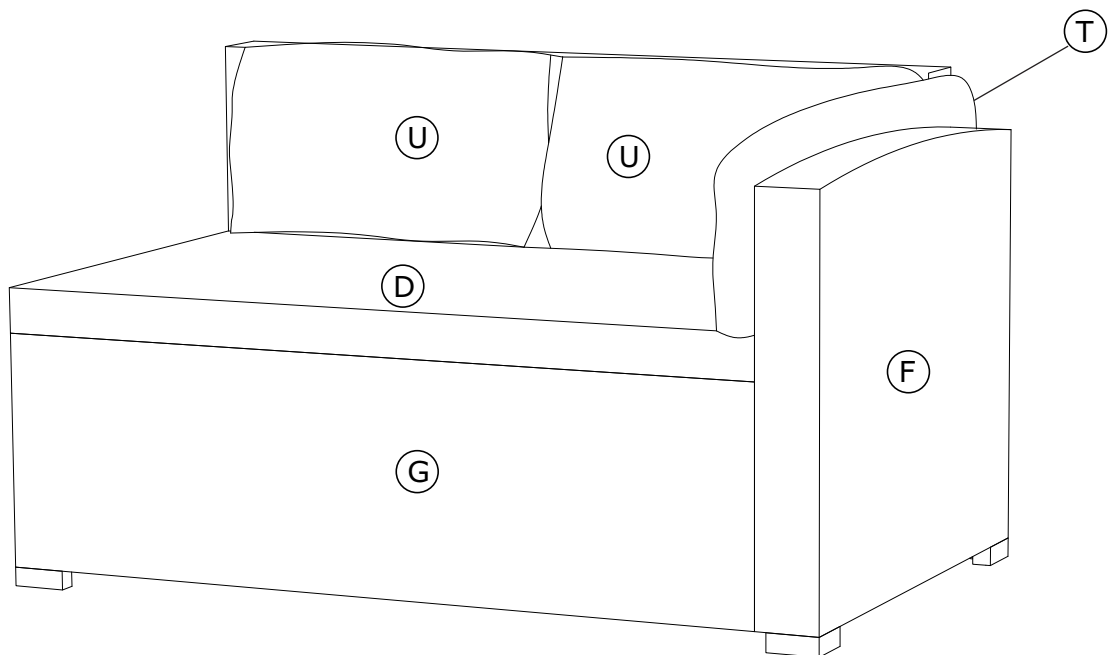


2*1 **3***1

Step 11:

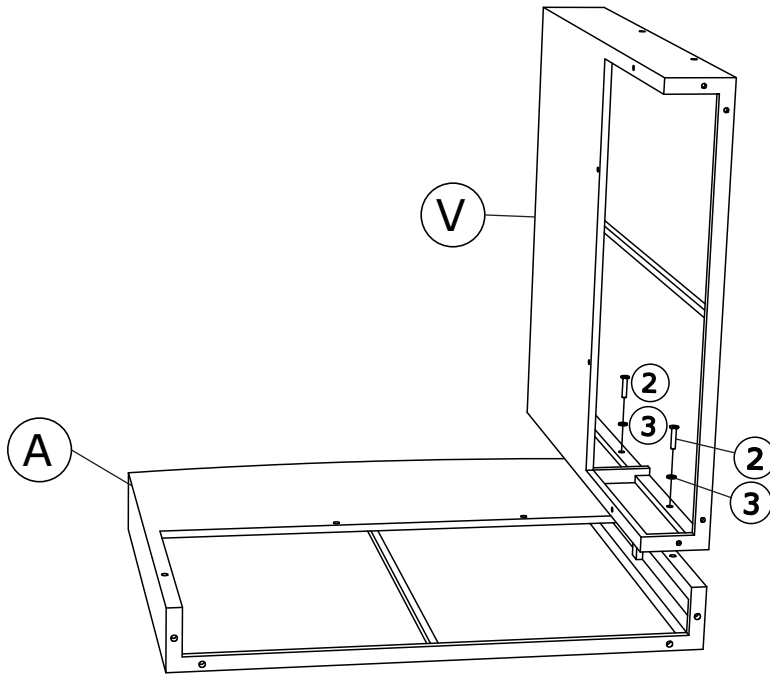
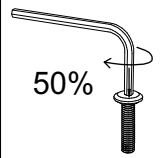


Step 12:



Step 13:

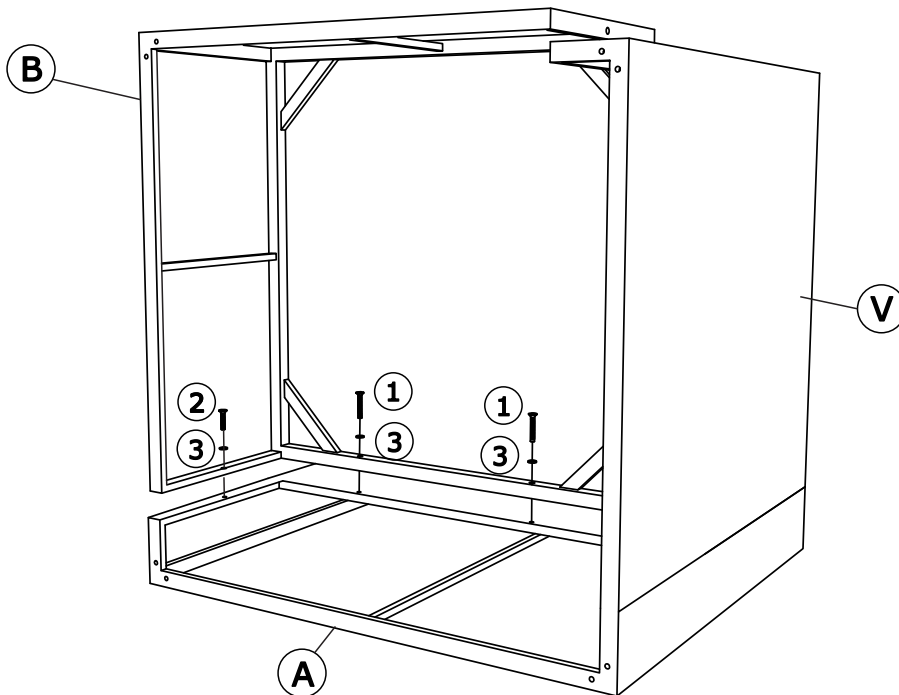
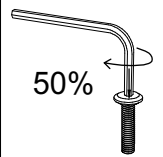
x2



- ②*2
- ③*2
- A *1
- V *1

Step 14:

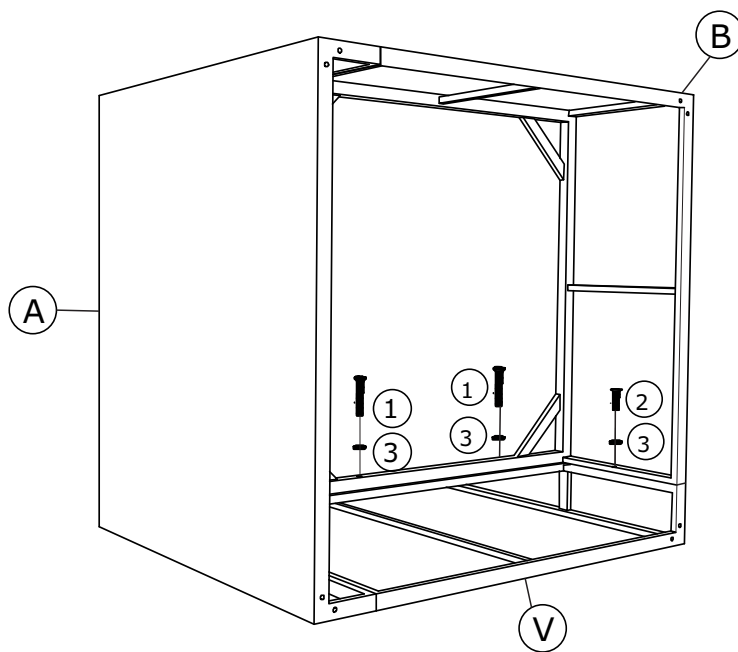
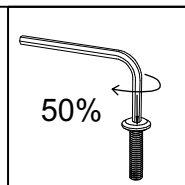
x2



- ①*2
- ②*1
- ③*3
- B *1

Step 15:

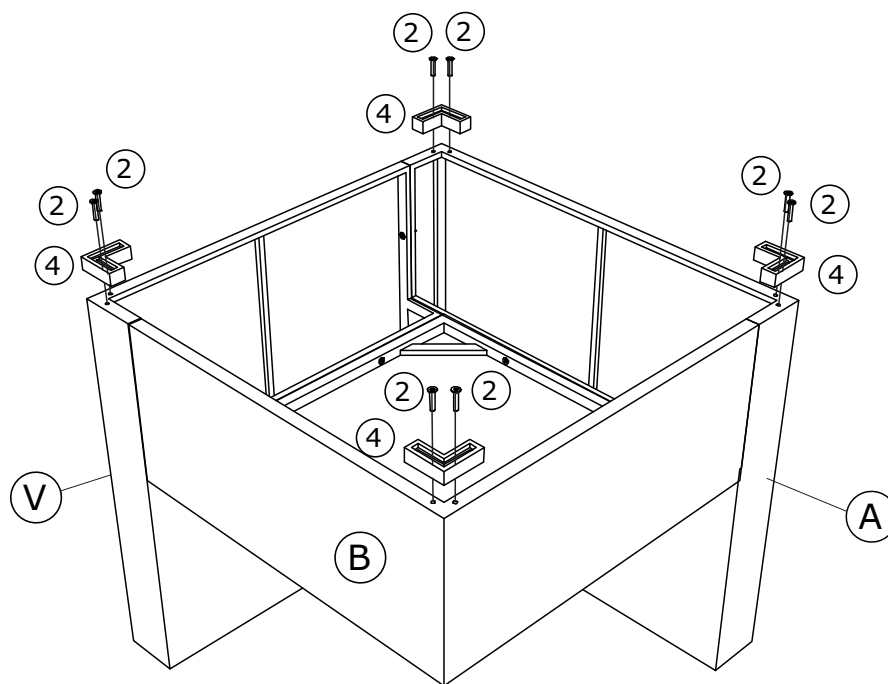
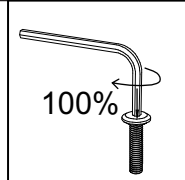
x2



- ①*2
- ②*1
- ③*3

Step 16:

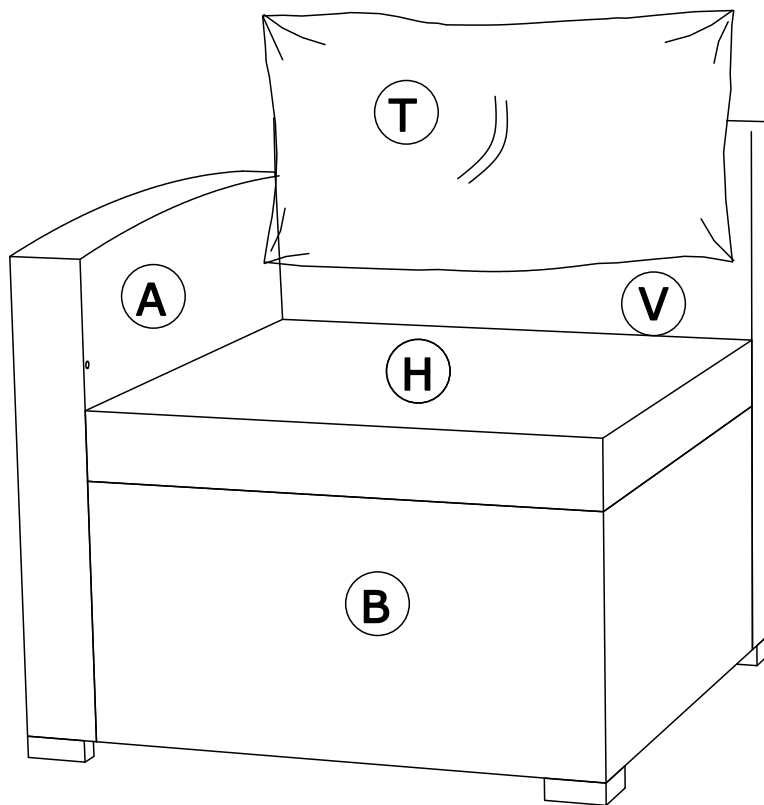
x2



- ②*8
- ④*4

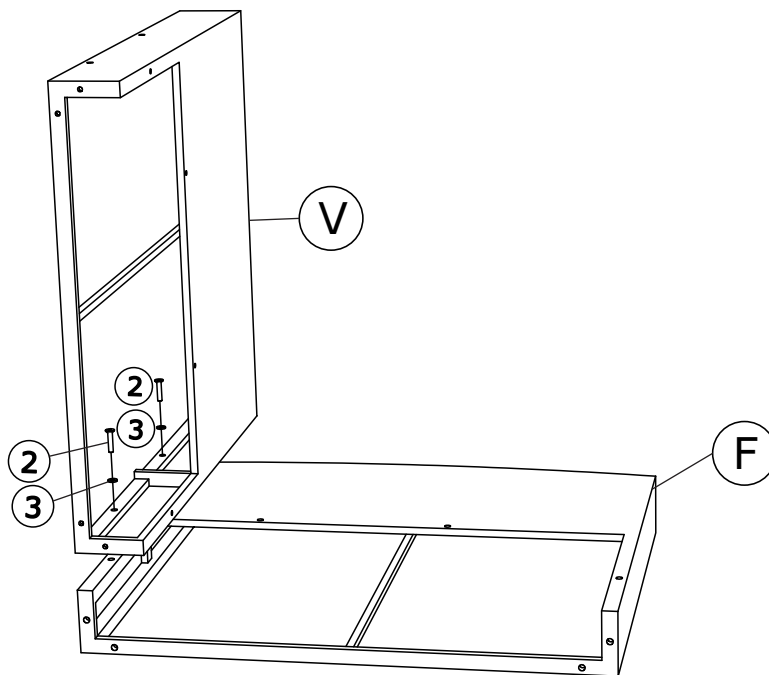
Step 17:

x2



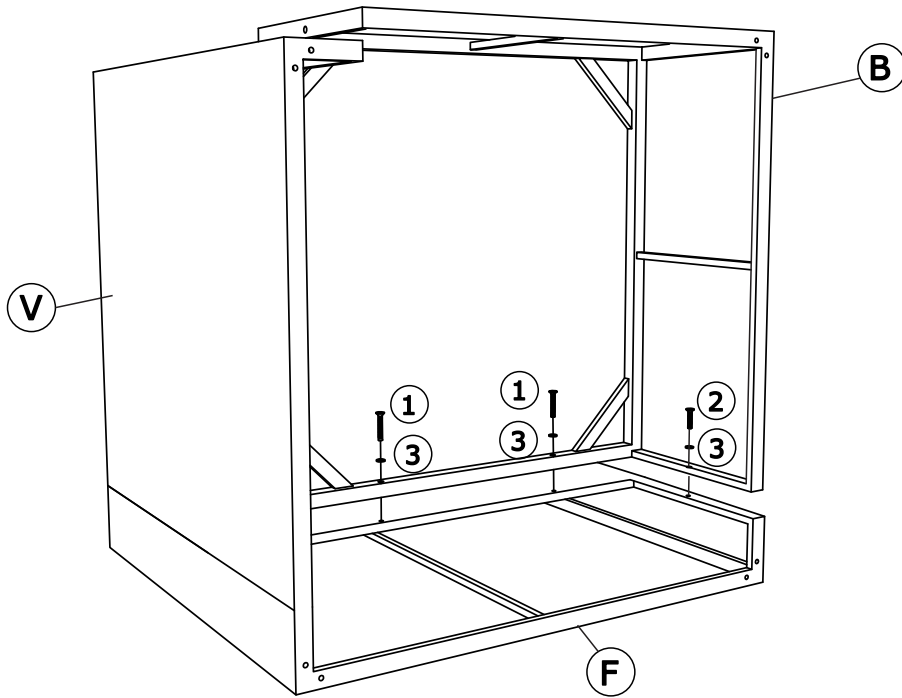
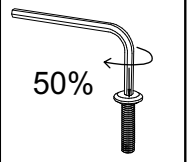
H*1 T*1

Step 18:



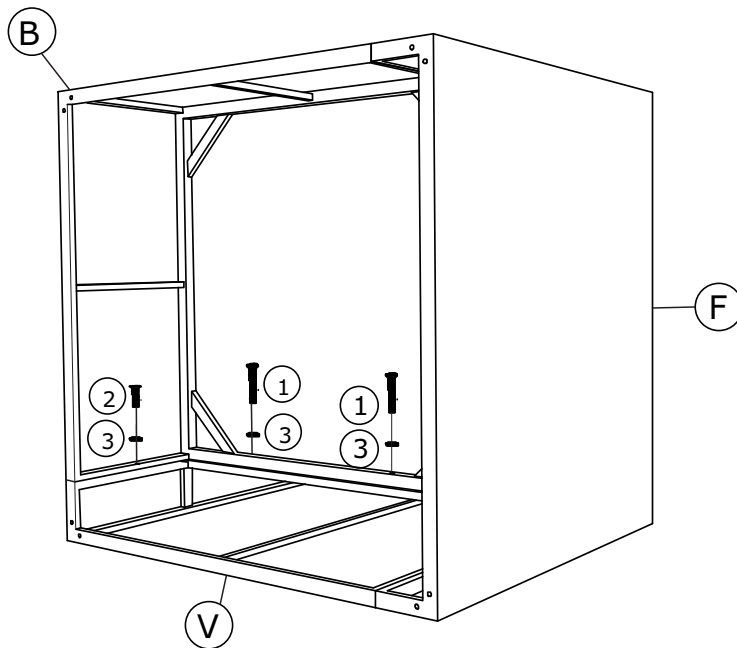
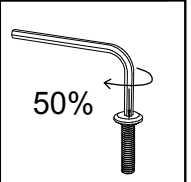
②*2 ③*2 F*1 V*1

Step 19:



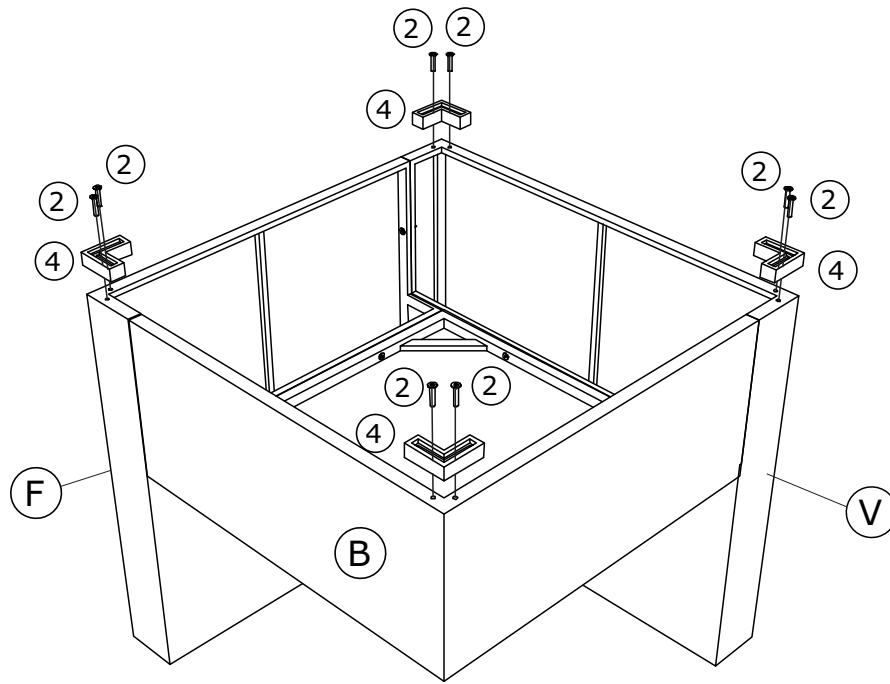
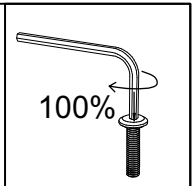
①*2 ②*1 ③*3 B *1

Step 20:



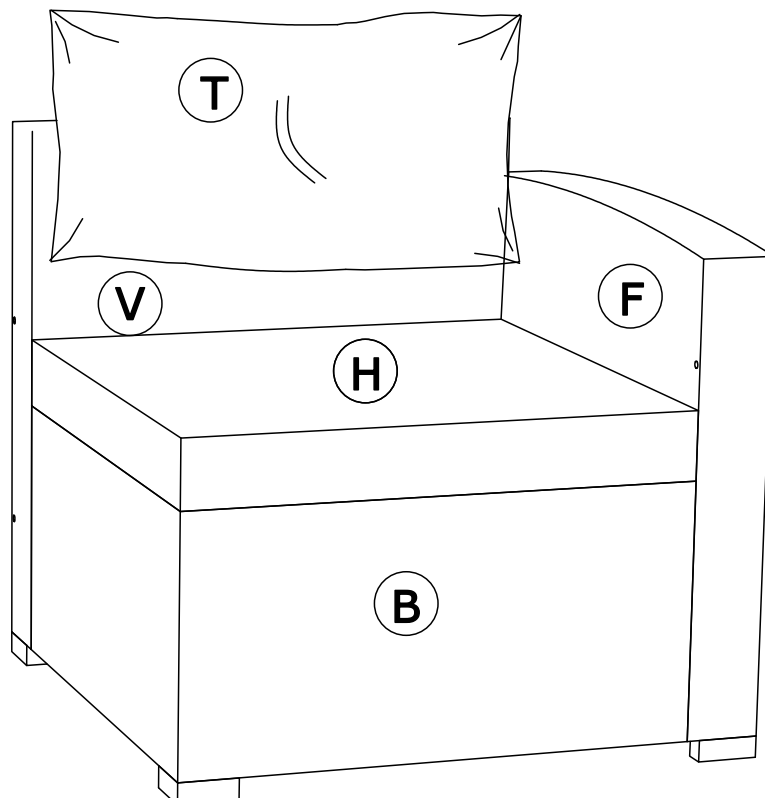
①*2 ②*1 ③*3

Step 21:



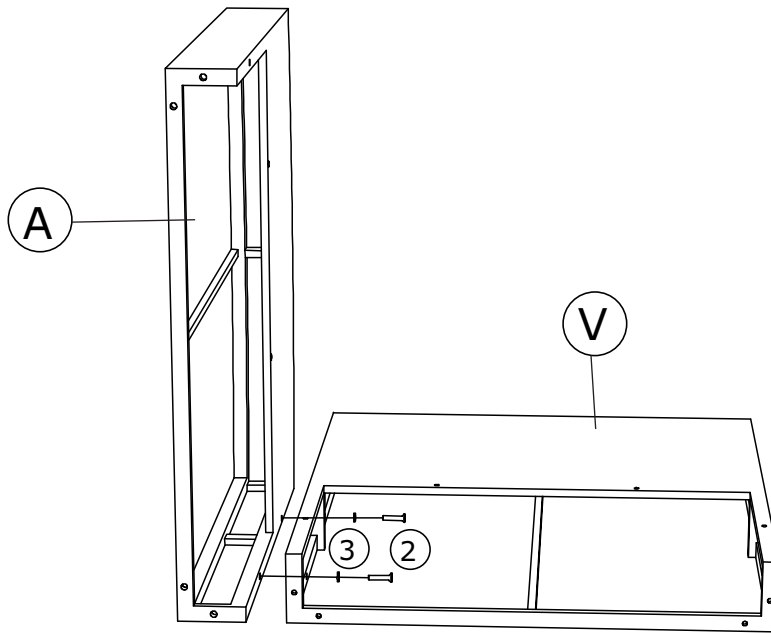
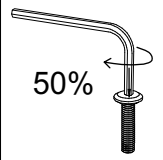
②*8 ④*4

Step 22:



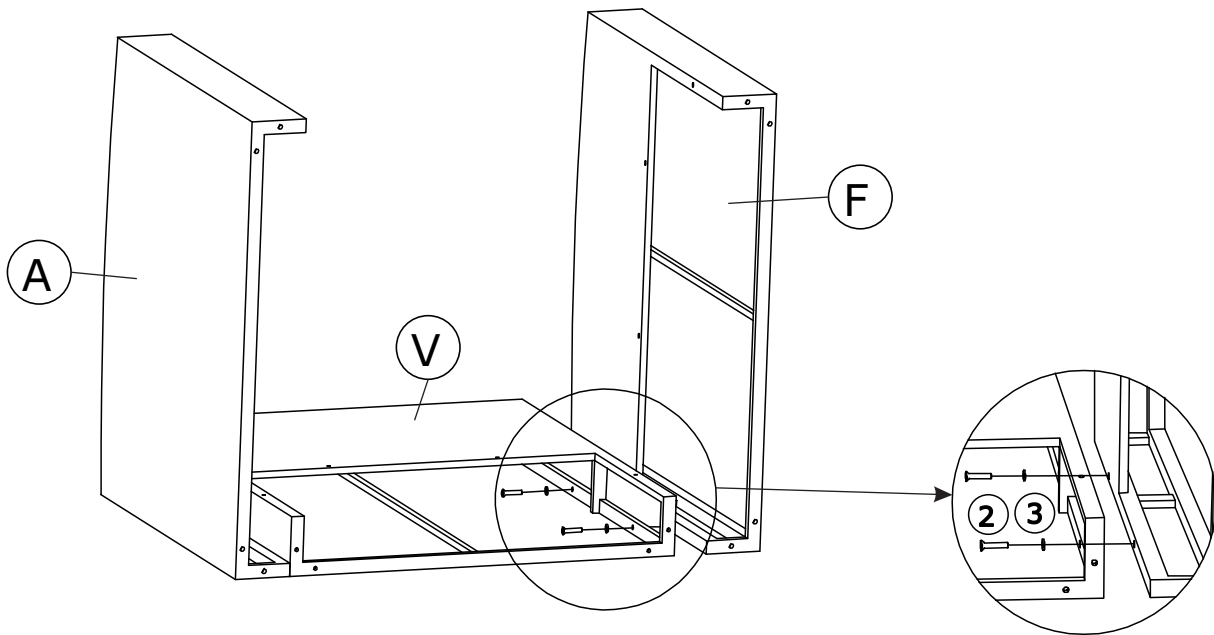
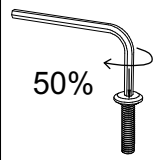
H*1 T*1

Step 23:



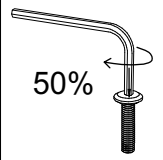
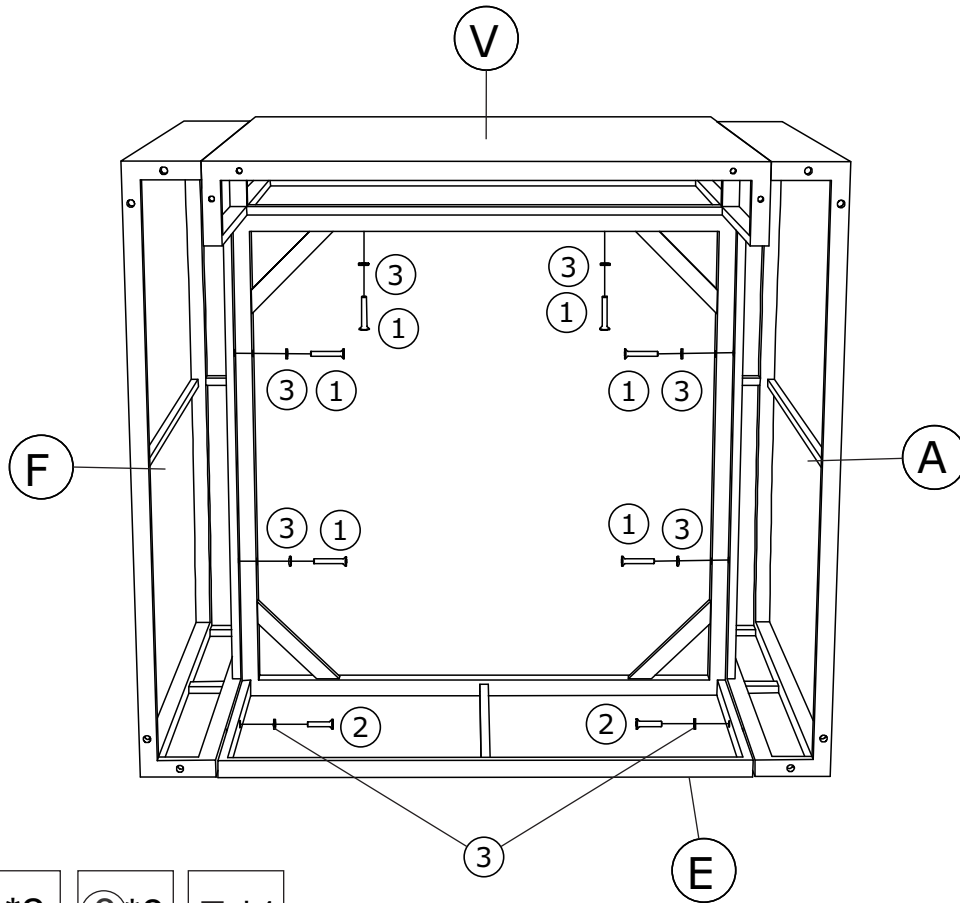
②*2 ③*2 A*1 V*1

Step 24:



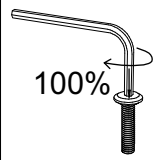
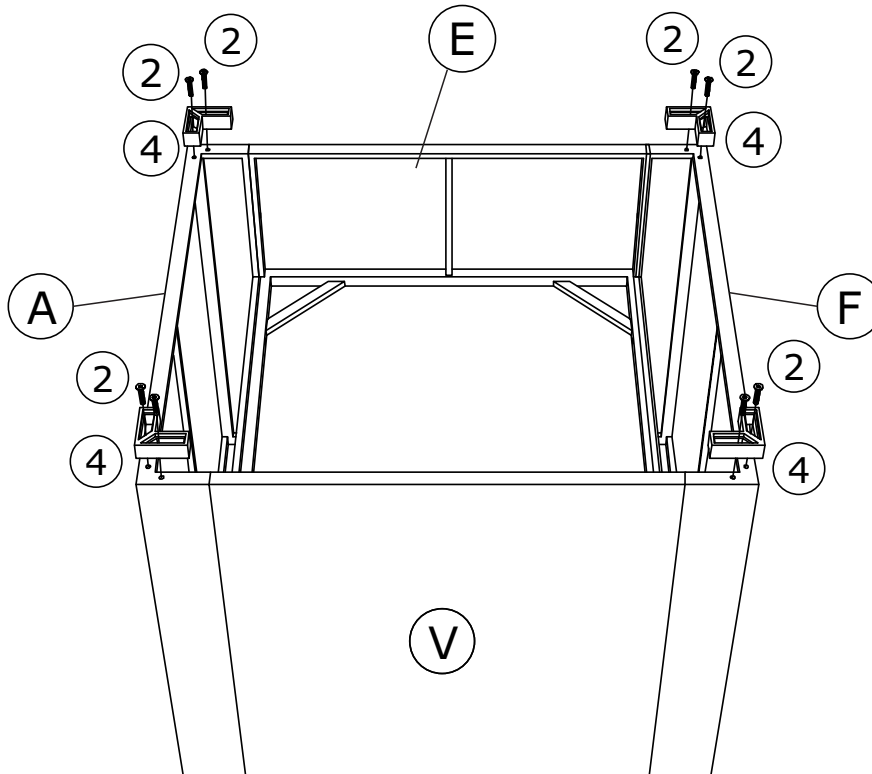
②*2 ③*2 F*1

Step 25:



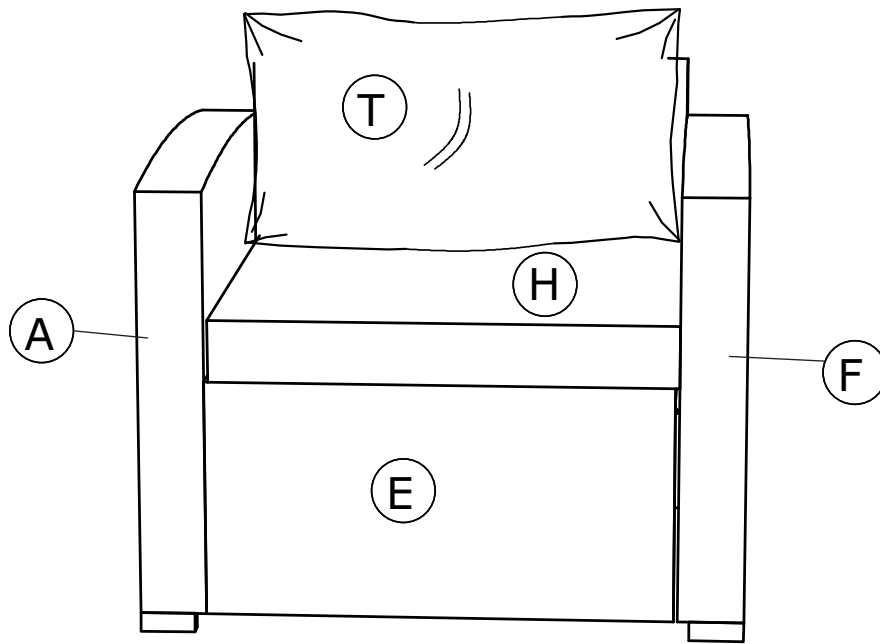
①*6 ②*2 ③*8 E*1

Step 26:



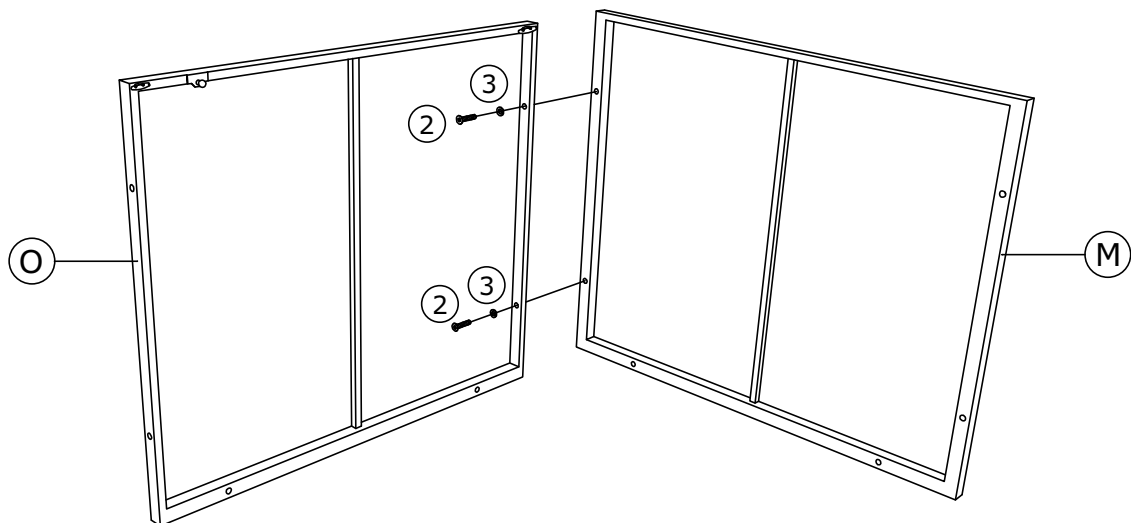
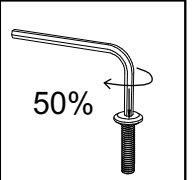
②*8 ④*4

Step 27:



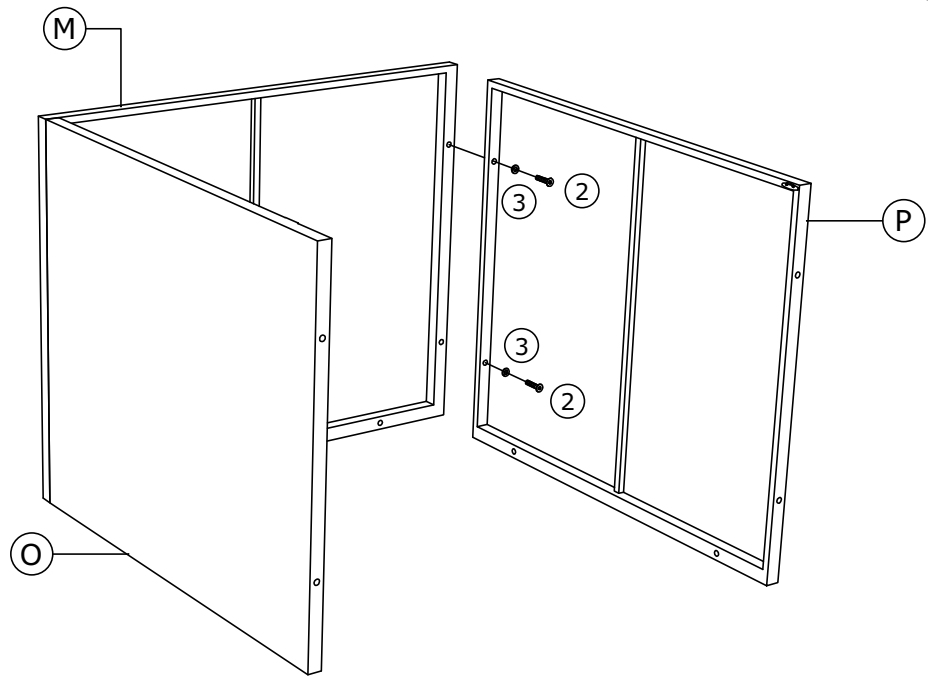
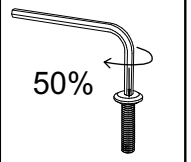
H*1 T*1

Step 28:



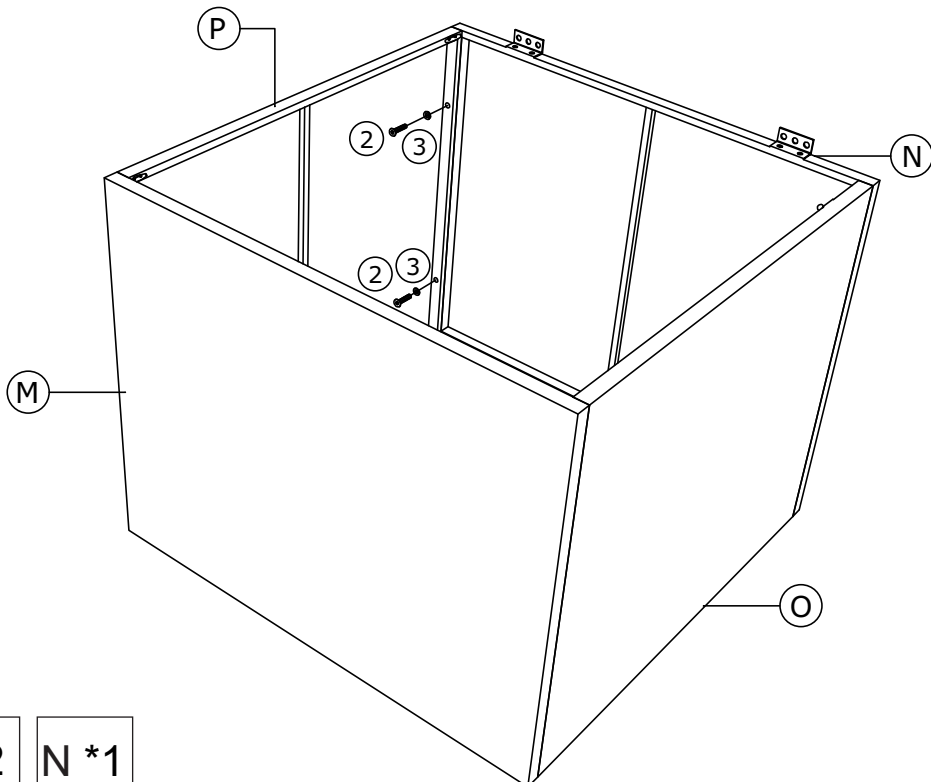
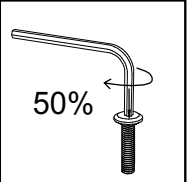
②*2 ③*2 O*1 M*1

Step 29:



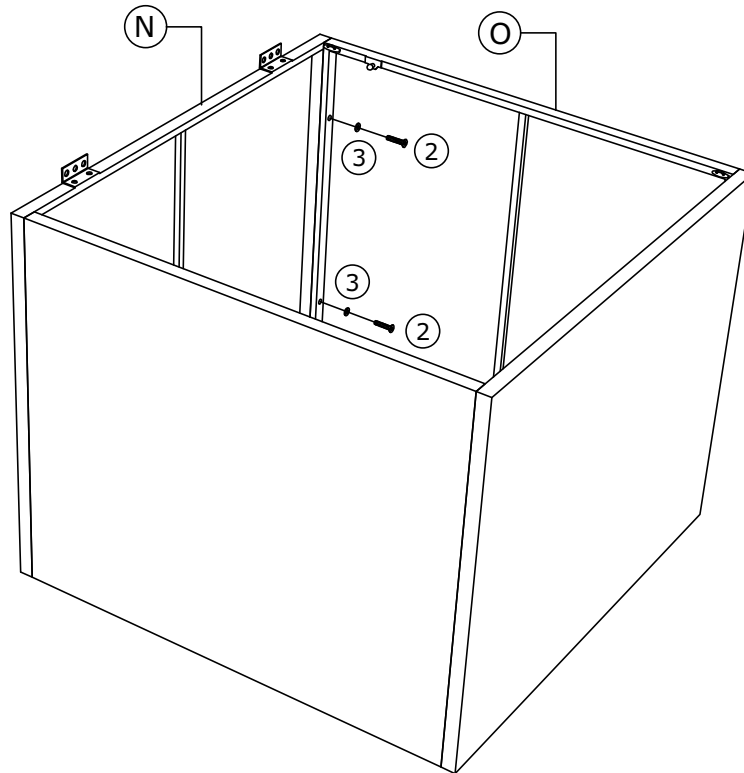
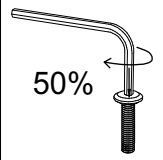
②*2 ③*2 P*1

Step 30:



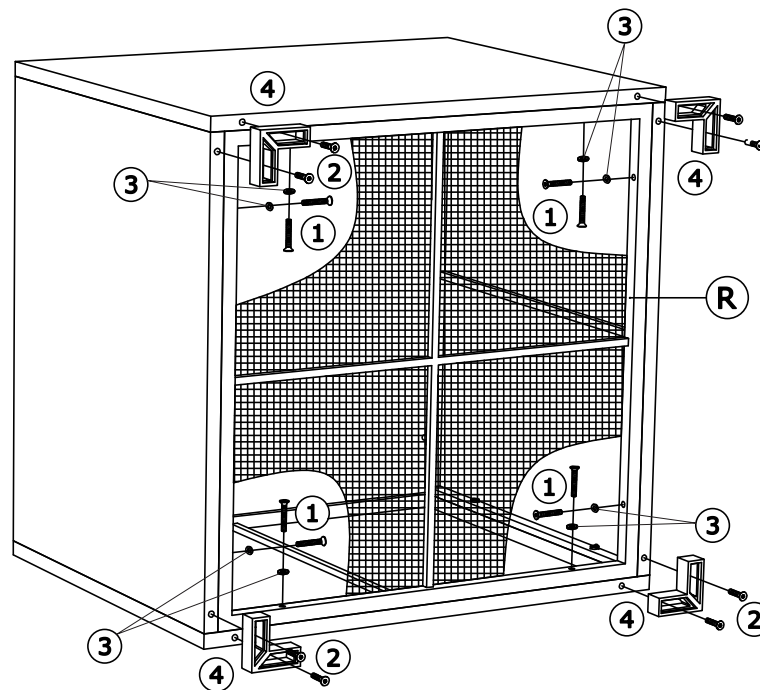
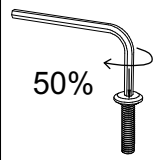
②*2 ③*2 N*1

Step 31:



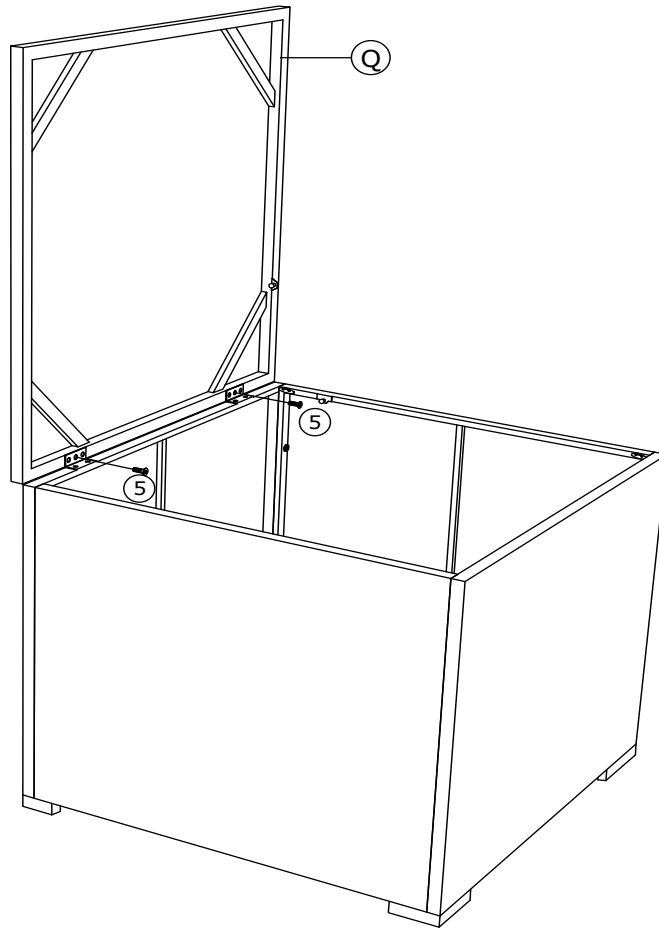
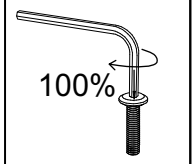
②*2 ③*2

Step 32:



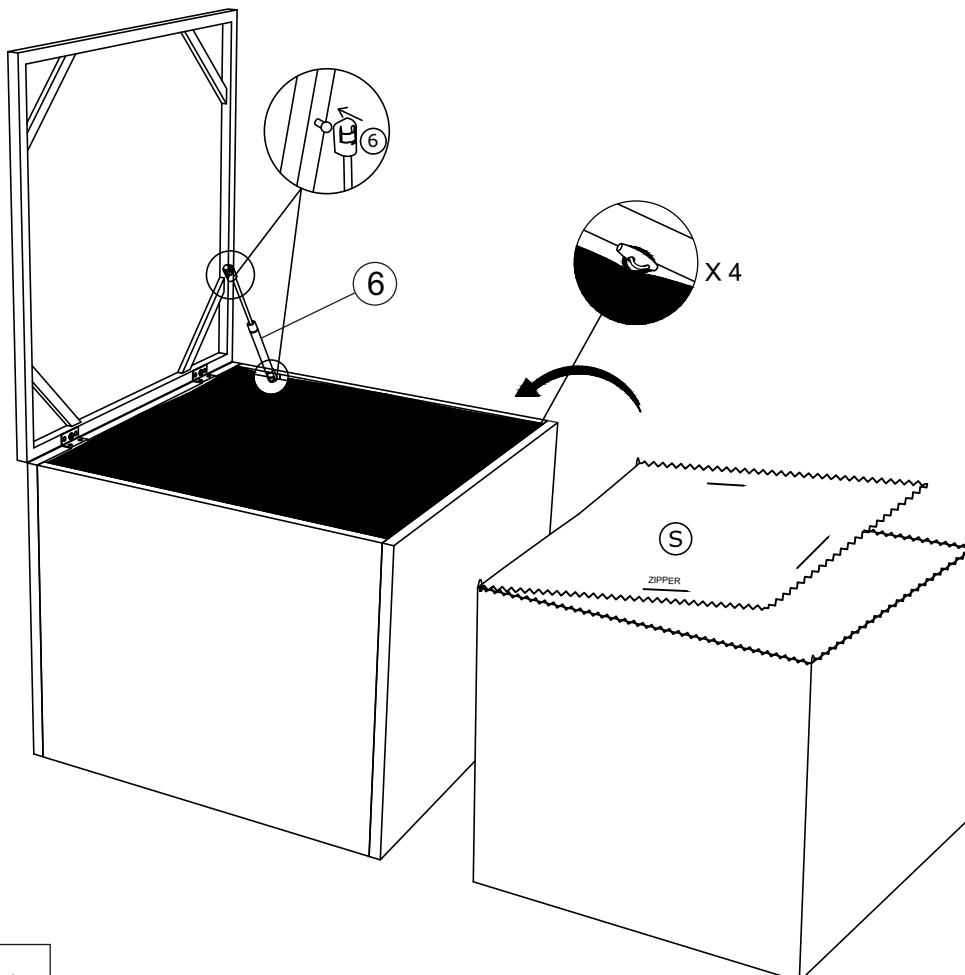
①*8 ②*8 ③*8 ④*4 R*1

Step 33:



⑤*2 Q*1

Step 34:



⑥*1 S*1

Step 35:

