

**READ BEFORE USE
LIRE AVANT UTILISATION
LEA ANTES DE USAR**

Visit www.hamiltonbeach.com for our complete line of products and Use and Care Guides – as well as delicious recipes, tips, and to register your product online!

Rendez-vous sur www.hamiltonbeach.ca pour notre liste complète de produits et de nos manuels utilisateur – ainsi que nos délicieuses recettes, nos conseils et pour enregistrer votre produit en ligne !

¡Visite www.hamiltonbeach.com.mx para obtener nuestra línea completa de productos y las Guías de Uso y Cuidado, además de deliciosas recetas, consejos y para registrar su producto en línea!

Questions?
Please call us – our friendly associates are ready to help.
USA: 1.800.851.8900

Questions ?
N'hésitez pas à nous appeler – nos associés s'empresseront de vous aider.
CAN : 1.800.267.2826

¿Preguntas?
Por favor llámenos – nuestros amables representantes están listos para ayudar.
MEX: 01 800 71 16 100
Le invitamos a leer cuidadosamente este instructivo antes de usar su aparato.

Hamilton Beach®



Indoor Grill
Gril-santé pour
l'intérieur
Parrilla Interior

English 2
Français..... 13
Español 25

IMPORTANT SAFEGUARDS

When using electrical appliances, basic safety precautions should always be followed, including the following:

1. Read all instructions.
2. Do not touch hot surfaces. Use handles or knobs.
3. To protect against risk of electrical shock, do not immerse base, cord, or plug in water or other liquid.
4. Close supervision is necessary when any appliance is used by or near children.
5. Unplug from outlet when not in use and before cleaning. Allow to cool before putting on or taking off parts, and before cleaning the appliance.
6. Do not operate any appliance with a damaged cord or plug, or after the appliance malfunctions or is dropped or damaged in any manner. Call our toll-free customer service number for information on examination, repair, or adjustment.
7. Do not use outdoors.
8. The use of accessory attachments not recommended by the appliance manufacturer may cause injuries.
9. Do not let cord hang over edge of table or counter or touch hot surfaces, including stove.
10. Do not place on or near a hot gas or electric burner, or in a heated oven.
11. Extreme caution must be used when moving an appliance containing hot oil or other hot liquids.
12. Do not use appliance for other than intended purpose.
13. Be sure removable cooking plates are secured before cooking.
14. To disconnect, turn control to MIN and remove plug from wall outlet.
15. Do not leave the appliance unattended when in use.
16. Always use the appliance on a dry level surface.
17. Use extreme caution when removing tray or disposing of hot grease.

SAVE THESE INSTRUCTIONS!

Other Consumer Safety Information

This appliance is intended for household use only.

WARNING! Shock Hazard: This product is provided with either a polarized (one wide blade) or grounded (3-prong) plug to reduce the risk of electric shock. The plug fits only one way into a polarized or grounded outlet. Do not defeat the safety purpose of the plug by modifying the plug in any way or by using an adapter. If the plug does not fit fully into the outlet, reverse the plug. If it still does not fit, have an electrician replace the outlet.

The length of the cord used on this appliance was selected to reduce the hazards of becoming tangled in or tripping over a longer cord. If a longer cord is necessary, an approved extension cord may be used. The electrical rating of the extension cord must be equal to or greater than the rating of the appliance. If the appliance is of the grounded type, the extension cord should be a grounding-type, 3-wire cord. Care must be taken to arrange the extension cord so that it will not drape over the countertop or tabletop where it can be pulled on by children or accidentally tripped over.

To avoid an electrical circuit overload, do not use another high-wattage appliance on the same circuit with this appliance.

An extension cord should be connected to the appliance first, before it is plugged into the outlet.

Always use grill on flat surface to ensure grease and oils drain properly. Use caution when cleaning spilled hot grease. Use caution when cooking and around splattering grease.

Always use drip tray and make sure it is resting on counter directly under grill before use.

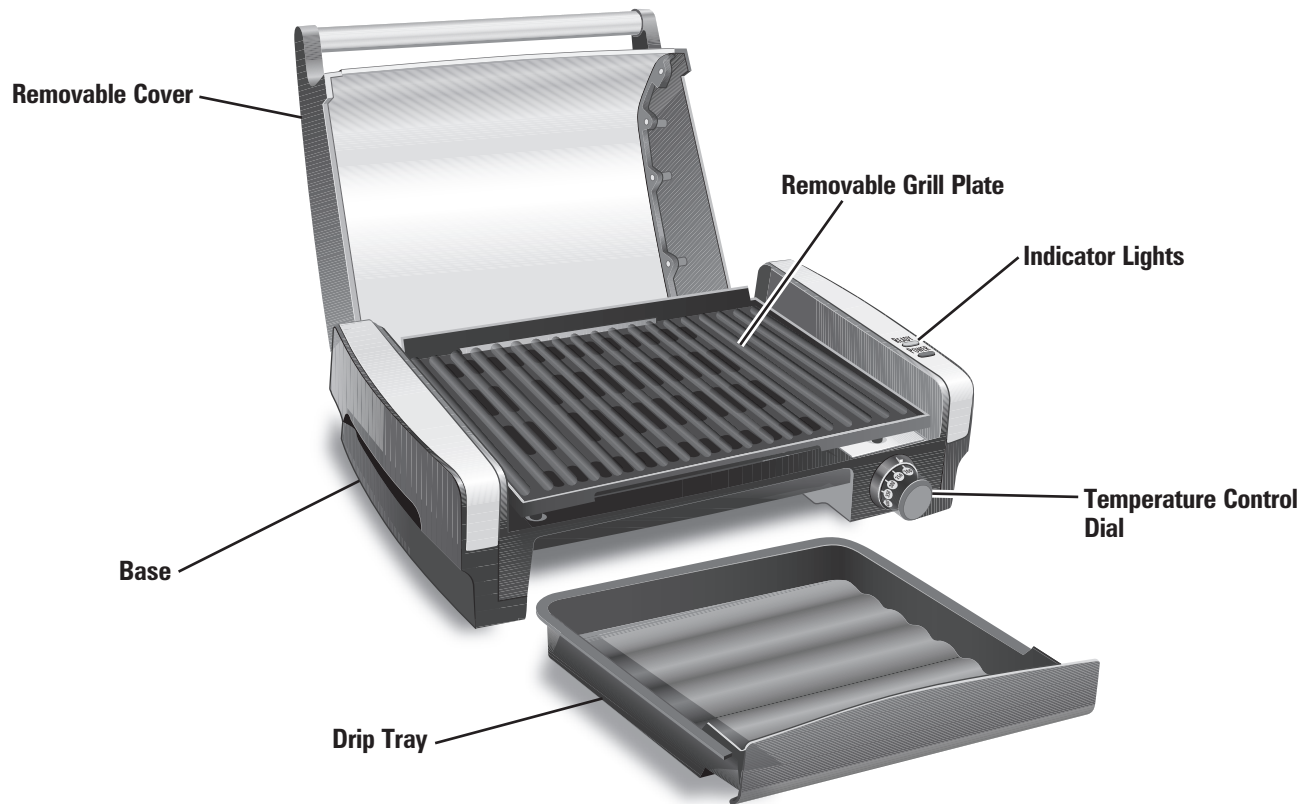
Never move grill when in use. Unplug unit and let cool before moving.

Always use an oven mitt to protect hand when opening the grill.

CAUTION: Escaping steam may cause burns.

Parts and Features

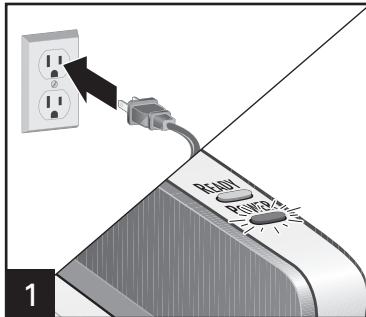
BEFORE FIRST USE: Wash the grill plate and cover in hot, soapy water. Rinse and dry thoroughly. Do not immerse base in water or other liquid.



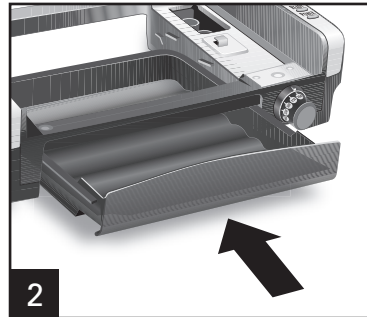
How to Grill

⚠ WARNING Burn Hazard.

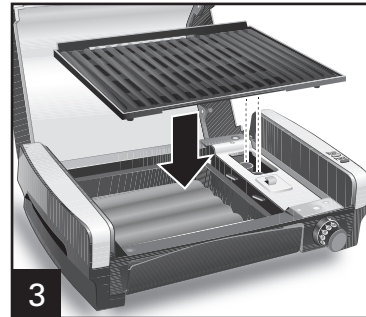
Always use an oven mitt to protect hand when opening a hot grill. Escaping steam can burn.



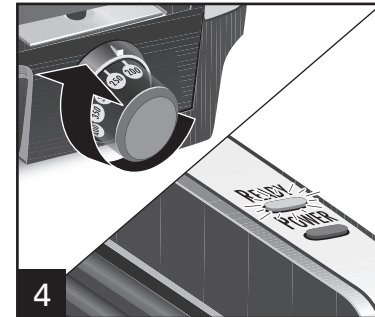
1 Plug cord into wall outlet. The red Power light will glow.



2 Slide drip tray under grill.



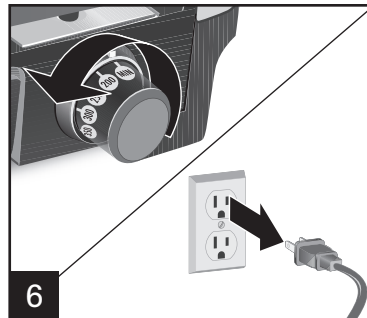
3 Ensure grill plate is properly placed on base.



4 Set temperature control dial to desired heat setting. Preheat with cover closed 5 to 10 minutes before grilling. Green Ready light will glow when grill comes to selected temperature.



5 Place food on grill plate; cover. Use only utensils which are high-heat resistant (~450°F/232°C) and safe for nonstick surfaces. This will help prolong the life of the nonstick coating.



6 When finished grilling, turn control to MIN (indicator lights will remain on). Remove plug from outlet.

Cooking Chart

Visit www.foodsafety.gov for more information on safe internal cooking temperatures.

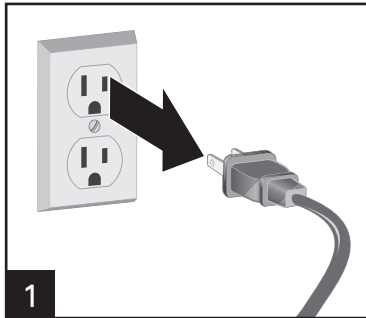
Grilled meats should rest for 3 minutes before cutting or slicing.

FOOD	COOKING TEMPERATURE	APPROXIMATE TIME	DONENESS
Steaks, Beef, 1/2-in. (1.3-cm) thick	SEAR, turning halfway through grilling time	6 to 14 minutes	Meat thermometer registers at least 145°F/63°C for food safety
Pork Chops, 1/2-in. (1.3-cm) thick	SEAR for 4 minutes; turn over. Reduce temp to 350°F/177°C. Continue grilling.	7 to 9 minutes	Meat thermometer registers 145°F/63°
Chicken Breasts (6 oz.), boneless	350°F/177°C, turning halfway through grilling time	12 to 15 minutes	Meat thermometer registers 165°F/73.9°C or juices run clear
Hamburgers, 1/2-in. (1.3-cm) thick	SEAR for 4 minutes; turn over. Reduce temp to 375°F/190°C. Continue grilling.	8 to 10 minutes	Meat thermometer registers at least 145°F/63°C for food safety
Sausage Links or Patties	350°F/177°C, turning halfway through grilling time	12 to 14 minutes	Meat thermometer registers 160°F/71°C or juices run clear
Hot Dogs	375°F/190°C, turning halfway through grilling time	7 to 9 minutes	Meat thermometer registers 160°F/71°C
Fish Fillets	SEAR for 5 minutes; turn over. Reduce temp to 375°F/190°C. Continue grilling.	10 minutes per 1-in. thickness	Opaque and flakes with fork
Corn on the Cob, husk removed	350°F/177°C, turning halfway through grilling time	10 to 12 minutes	Bright yellow kernels and slightly charred
Peppers, halved, seeded	350°F/177°C, turning halfway through grilling time	10 to 12 minutes	Tender crisp and slightly charred
Portabella Mushrooms	350°F/177°C, turning halfway through grilling time	12 to 15 minutes	Tender when pierced with fork

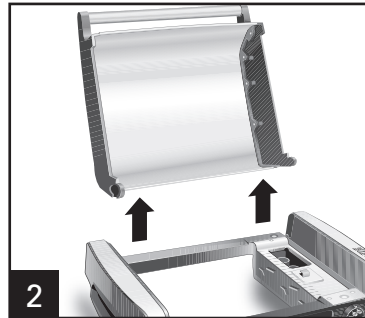
Care and Cleaning

⚠ WARNING Electrical Shock Hazard.

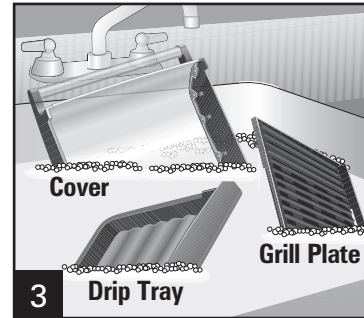
Disconnect power before cleaning. Do not immerse base, cord, or plug in water or any liquid.



1 Unplug grill from outlet and allow to cool. Carefully dispose of any grease.



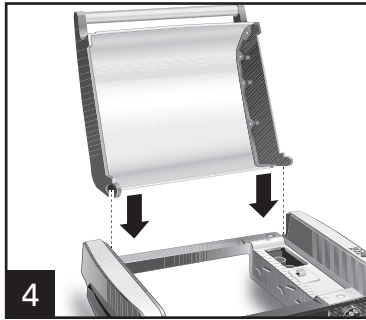
2 To remove cover for cleaning: Open cover; gently pull straight up and remove to clean with hot, soapy water. Rinse with water and dry.



3 Wash the grill plate, cover, and drip tray in hot, soapy water. Use a nylon or plastic scouring pad and a nonabrasive liquid cleanser. Do not use metal scouring pads. Rinse and let dry.



DISHWASHER-SAFE
DO NOT use the "SANI" setting when washing in the dishwasher. "SANI" cycle temperatures could damage your product.



4 To replace cover: Align inside of cover piece with outside base piece; gently slide into position. Cover must remain in vertical position during removal and replacement.

IF YOU LIVE IN A HIGH-ALTITUDE AREA:

The Extension service will have detailed information about cooking for your area. To locate the Cooperative Extension service in your county, please visit:
<http://www.csrees.usda.gov/Extension/>.

Grilling Guidelines

- **Grilling Times:** Recipe cooking times are estimates. Cooking time will vary based on the temperature of the grid, the surrounding air, and the food itself. Watch food carefully while grilling and adjust the cooking time as necessary.
- **Marinating Tips:** Never marinate foods in metal containers for extended lengths of time (2 or more hours). The acids in foods can react with metal, causing an unpleasant taste. Instead, use glass, ceramic, or plastic bag containers for marinating.
- **Meat Safety Tip:** To reduce the risk of spoiling, store meat in the refrigerator until you're ready to cook. Never thaw or marinate meat at room temperature, especially in warm climates.
- **Food Safety Tip:** Never use leftover marinade as a finishing sauce on cooked foods. The leftover marinade must first be boiled for one to two minutes to kill any bacteria from the raw food that was marinated.
- **Nonstick Grilling Tip:** Without the use of oil, certain foods will stick slightly to nonstick surfaces. This is easily prevented. Before turning on your grill, brush or spray the grill plates lightly with oil or nonstick cooking spray. (Never add oil or spray to a heated plate—this is dangerous.)
- Always read all safety information.

Grilling Tips

- Cover grill when preheating or grilling unless recipe suggests otherwise.
- Please remember that your grill plate is coated with a nonstick surface and that plastic utensils should always be used.
- If grilling vegetables, fish, or lean meat, spray the grilling surface with a cooking spray. If grilling meat with any amount of fat, or if the food has been marinated, there is no need to treat the plate.
- For best results, preheat the grill with cover closed for 5 to 10 minutes before grilling.
- Skewers are available in most large supermarkets. If using the disposable, wooden-type skewers, soak the skewers in water at least 10 minutes before threading on food. This prevents the skewer from scorching and makes a more attractive presentation.
- If using a marinade with oil, place grill near an exhaust hood. Oil or fat will produce some smoke.
- Marinade or sauces may cook on grill plate; use spatula to trim before slicing or cutting.

Recipes

Visit www.foodsafety.gov for more information on safe internal cooking temperatures.

Texas Beef Barbecue

- 1 cup (250 ml) chili sauce
- 3 Tablespoons (45 ml) chili powder
- 1 teaspoon (5 ml) ground cumin
- 1/2 cup (125 ml) beer
- 1/2 teaspoon (2.5 ml) dried red pepper flakes
- 1/3 cup (80 ml) vegetable oil
- 1/4 cup (60 ml) finely chopped green onion (white and green parts)
- 1 boneless beef top round steak, cut 1-inch thick (about 1 1/2 to 2 pounds)

Directions

1. In a glass dish or plastic zipper bag, combine all ingredients except steak. Add steak; turn or toss to coat. Marinate in refrigerator 3 hours or overnight.
2. Preheat grill to SEAR.
3. Remove steak from the marinade; discard marinade. Sprinkle steak with salt, if desired. Place the steak on grill; cover.
4. Grill 18 to 22 minutes or until desired doneness, turning halfway through grilling.
5. Transfer steak to a cutting board and let stand 5 minutes, loosely covered with foil.
6. To serve, thinly slice across grain.

Serves: 4

Marinated Vegetable Kabobs

- 1 can (14 oz.) artichoke hearts, cut in half
- 8 large mushrooms, thickly sliced
- 1 large yellow bell pepper, cut in chunks
- 1 large green bell pepper, cut in chunks
- 1 small red onion, cut in chunks

Marinade:

- 1/4 cup (60 ml) balsamic vinegar
- 1 Tablespoon (15 ml) olive oil
- 2 teaspoons (10 ml) garlic salt
- 2 teaspoons (10 ml) dried basil
- Ground pepper to taste

Directions

1. In a glass dish or plastic zipper bag, combine marinade ingredients. Add vegetables; stir or toss to coat. Marinate in refrigerator 30 minutes to 1 hour.
2. Preheat grill to 350°F (177°C).
3. Remove vegetables from marinade; discard marinade. Thread vegetables onto skewers. Place kabobs on grill; cover.
4. Grill 8 to 12 minutes, turning halfway through grilling.

Serves: 4

Recipes (cont.)

Grilled Chicken Salad

1 pound (0.5 kg) boneless chicken breasts
1 Tablespoon (15 ml) vegetable oil
2 Tablespoons (30 ml) soy sauce
1 Tablespoon (15 ml) honey
2 cloves garlic, crushed
1 Tablespoon (15 ml) curry powder
1 teaspoon (5 ml) ground turmeric
1 teaspoon (5 ml) ground ginger
1 teaspoon (5 ml) ground cumin
Mixed salad greens

Directions

1. Cut chicken into 1-inch strips. In a glass dish or plastic zipper bag, combine remaining ingredients, except salad greens. Add chicken; stir or toss to coat. Marinate in refrigerator at least 30 minutes.
2. Preheat grill to 350°F (177°C).
3. Remove chicken from marinade; discard marinade. Place chicken strips on grill; cover.
4. Grill chicken strips 4 to 5 minutes on each side, until juices run clear and meat is no longer pink. Let chicken rest for several minutes.
5. Serve chicken over mixed greens.

Serves: 4

Mahi Mahi With Ginger and Dill

1/4 cup (60 ml) lime juice
1/4 teaspoon (1.3 ml) coarsely ground black pepper
1/4 teaspoon (1.3 ml) fresh grated ginger root
1/4 teaspoon (1.3 ml) dill weed
3/4 pound (0.3 kg) mahi mahi

Directions

1. In a glass dish or plastic zipper bag, combine all ingredients, except mahi mahi. Add fish; stir or toss to coat. Marinate in refrigerator 30 minutes to 1 hour.
2. Preheat grill on SEAR.
3. Remove fish from marinade; discard marinade. Place fish on grill; cover.
4. Grill 5 minutes; turn fish.
5. Reduce heat to 375°F (190°C). Grill 5 minutes longer or until fish flakes easily when tested with a fork.

Serves: 2

Recipes (cont.)

Spicy Chili Chicken Wings

3 to 3 1/2 pounds chicken wings (about 15 to 18 wings)
3 Tablespoons (45 ml) olive oil
3 Tablespoons (45 ml) fresh lime juice
4 large cloves garlic, peeled and minced
2 teaspoons (10 ml) ground cumin
2 teaspoons (10 ml) ground coriander
2 teaspoons (10 ml) paprika
1 teaspoon (5 ml) peeled and grated ginger
1 teaspoon (5 ml) salt, or to taste
1/2 teaspoon (2.5 ml) hot chili powder OR cayenne pepper
1/2 teaspoon (2.5 ml) ground cinnamon

Directions

1. Rinse the chicken wings under cold running water and pat dry with paper towels. Cut off the wing tips at the joints and discard the tips. (Or wrap and freeze tips to use later to add flavor to canned or homemade soups and stocks.)
2. In a glass dish or plastic zipper bag, combine all ingredients, except chicken. Add chicken wings; stir or toss to coat. Marinate in refrigerator 2 to 4 hours.
3. Preheat grill to SEAR.
4. Remove chicken wings from marinade; discard marinade. Place chicken on grill; cover.
5. Grill 5 minutes; turn. Reduce heat to 350°F (177°C). Grill 25 to 30 minutes or until done, turning with tongs every 10 minutes to prevent burning and to ensure even cooking. To test for doneness, cut into the thickest part of the wing. The meat should be white, with no trace of pink, and the juices should run clear.

Serves: 8 to 10 appetizers

Cajun Grilled Shrimp

5 Tablespoons (75 ml) Cajun seasoning mix
2 Tablespoons (30 ml) fresh lemon juice
2 Tablespoons (30 ml) fresh minced ginger
1 Tablespoon (15 ml) olive oil
1 Tablespoon (15 ml) sesame oil
2 teaspoons (10 ml) dry mustard
2 teaspoons (10 ml) hot pepper sauce
32 large raw shrimp, peeled and deveined, but tails on

Directions

1. In a glass dish or plastic zipper bag, combine all ingredients, except shrimp. Add shrimp; stir or toss to coat. Marinate in refrigerator 1 to 2 hours.
2. Preheat grill to SEAR.
3. Remove shrimp from marinade; discard marinade. Place shrimp on grill; cover.
4. Grill 2 minutes; turn. Grill 2 minutes longer or until shrimp are pink and opaque.

Serves: 6

Limited Warranty

This warranty applies to products purchased and used in the U.S. and Canada. This is the only express warranty for this product and is in lieu of any other warranty or condition.

This product is warranted to be free from defects in material and workmanship for a period of one (1) year from the date of original purchase. During this period, your exclusive remedy is repair or replacement of this product or any component found to be defective, at our option; however, you are responsible for all costs associated with returning the product to us and our returning a product or component under this warranty to you. If the product or component is no longer available, we will replace with a similar one of equal or greater value.

This warranty does not cover glass, filters, wear from normal use, use not in conformity with the printed directions, or damage to the product resulting from accident, alteration, abuse, or misuse. This warranty extends only to the original consumer purchaser or gift recipient. Keep the original sales receipt, as proof of purchase is required to make a warranty claim. This warranty is void if the product is used for other than single-family household use or subjected to any voltage and waveform other than as specified on the rating label (e.g., 120V ~ 60 Hz).

We exclude all claims for special, incidental, and consequential damages caused by breach of express or implied warranty. All liability is limited to the amount of the purchase price. **Every implied warranty, including any statutory warranty or condition of merchantability or fitness for a particular purpose, is disclaimed except to the extent prohibited by law, in which case such warranty or condition is limited to the duration of this written warranty.** This warranty gives you specific legal rights. You may have other legal rights that vary depending on where you live. Some states or provinces do not allow limitations on implied warranties or special, incidental, or consequential damages, so the foregoing limitations may not apply to you.

To make a warranty claim, do not return this appliance to the store. Please call 1.800.851.8900 in the U.S. or 1.800.267.2826 in Canada or visit hamiltonbeach.com in the U.S. or hamiltonbeach.ca in Canada. For faster service, locate the model, type, and series numbers on your appliance.

PRÉCAUTIONS IMPORTANTES

Lors de l'utilisation d'appareils électroménagers, des précautions fondamentales de sécurité doivent toujours être observées, y compris ce qui suit :

1. Lire toutes les instructions.
2. Ne pas toucher les surfaces chaudes. Utiliser les poignées ou les boutons.
3. Pour protéger contre le risque de choc électrique, ne pas immerger la base, le cordon ou la fiche dans l'eau ou autre liquide.
4. Une surveillance étroite est nécessaire lorsque cet appareil est utilisé par des enfants ou près d'eux.
5. Débrancher l'appareil de la prise de courant électrique lorsqu'il n'est pas utilisé et avant le nettoyage. Le laisser refroidir avant d'y ajouter ou d'y enlever des pièces et avant le nettoyage.
6. Ne pas faire fonctionner l'appareil avec ou lorsque l'appareil ne fonctionne pas bien ou a été échappé ou endommagé d'une manière quelconque. Appeler notre numéro sans frais de service à la clientèle pour des renseignements concernant l'examen, la réparation ou l'ajustement.
7. Ne pas utiliser à l'extérieur.
8. L'utilisation d'accessoires non recommandés par le fabricant d'électroménagers peut provoquer des blessures.
9. Ne pas laisser le cordon pendre du bord d'une table ou d'un comptoir, ou toucher des surfaces chaudes, y compris la cuisinière.
10. Ne pas placer l'appareil sur ou près d'un brûleur chaud à gaz ou électrique, ou dans un four chaud.
11. Utiliser une précaution extrême lors du déplacement d'un appareil contenant de l'huile chaude ou autre liquide chaud.
12. Ne pas utiliser l'appareil pour d'autres fonctions que l'utilisation déterminée.
13. S'assurer que les plaques de cuisson amovibles sont installées correctement avant la cuisson.
14. Pour le déconnecter, tourner la commande à MIN et débrancher la fiche de la prise murale.
15. Ne pas laisser l'appareil sans surveillance lors de son utilisation.
16. Toujours utiliser l'appareil sur une surface à niveau et sèche.
17. Enlever prudemment le plateau ou la graisse chaude.

CONSERVER CES INSTRUCTIONS !

Autres consignes de sécurité pour le consommateur

Cet appareil est conçu uniquement pour l'usage domestique.

AVERTISSEMENT ! Risque d'électrocution : Cet appareil électroménager possède une fiche polarisée (une broche large) qui réduit le risque d'électrocution. Cette fiche n'entre que dans un seul sens dans une prise polarisée. Ne contrecarrez pas l'objectif sécuritaire de cette fiche en la modifiant de quelque manière que ce soit ou en utilisant un adaptateur. Si vous ne pouvez pas insérer complètement la fiche dans la prise, inversez la fiche. Si elle refuse toujours de s'insérer, faire remplacer la prise par un électricien.

La longueur du cordon installé sur cet appareil a été sélectionnée afin de réduire les risques d'enchevêtrement ou de faux pas causés par un fil trop long. L'utilisation d'une rallonge approuvée est permise si le cordon est trop court. Les caractéristiques électriques de la rallonge doivent être équivalentes ou supérieures aux caractéristiques de l'appareil. Prendre toutes les précautions nécessaires pour installer la rallonge de manière à ne pas la faire courir sur le comptoir ou sur une table pour éviter qu'un enfant ne tire sur le cordon ou trébuche accidentellement.

Pour éviter la surcharge du circuit électrique, ne pas utiliser un autre appareil à haute puissance sur le même circuit que cet appareil.

La rallonge doit être connectée à l'appareil en premier avant de la brancher dans la prise.

Toujours utiliser le gril sur une surface plane pour permettre à la graisse et aux huiles de bien s'écouler. Nettoyer avec précaution toute graisse chaude renversée. Prendre des précautions lors de la cuisson et en présence d'éclabousses de graisse.

Toujours utiliser le ramasse-gouttes et s'assurer qu'il repose sur le comptoir et directement sous le gril avant son utilisation.

Jamais déplacer le grill pendant l'utilisation. Débrancher le gril et le laisser refroidir avant de le déplacer.

Toujours utiliser une mitaine de four pour se protéger la main avant d'ouvrir l'appareil.

MISE EN GARDE ! Risque de brûlures : La vapeur qui s'échappe peut causer des brûlures.

Pièces et caractéristiques

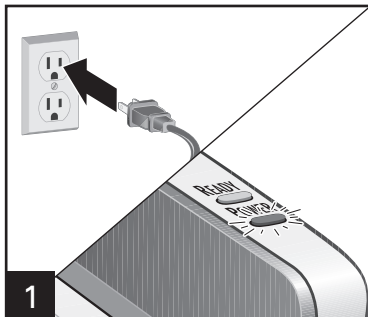
AVANT LE PREMIER EMPLOI : Laver la grille amovible à l'eau savonneuse chaude. Rincer et sécher à fond. Ne pas immerger la base dans l'eau ou autre liquide.



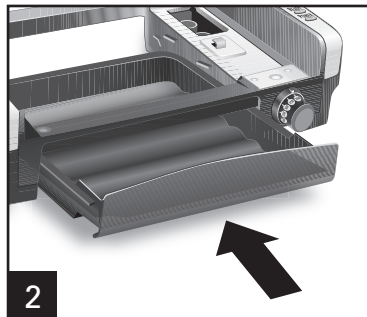
Utilisation

⚠ AVERTISSEMENT Risque de brûlure.

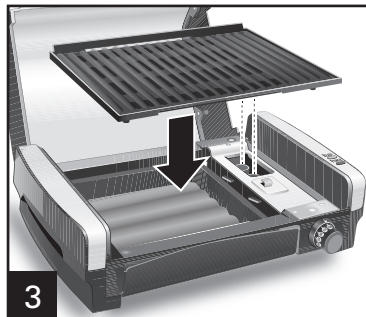
Toujours utiliser un gant de cuisinier pour protéger les mains au moment de l'ouverture d'un gril chaud. La vapeur dégagée peut causer des brûlures.



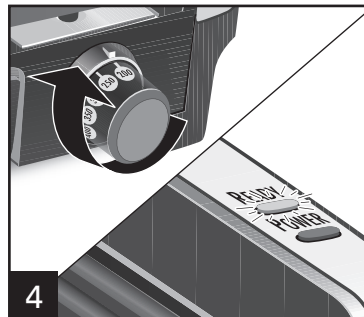
1 Brancher l'appareil sur une prise. Le témoin d'alimentation rouge s'allumera.



2 Glisser le ramasse-gouttes sous le gril.



3 S'assurer que la grille est déposée correctement sur la base.

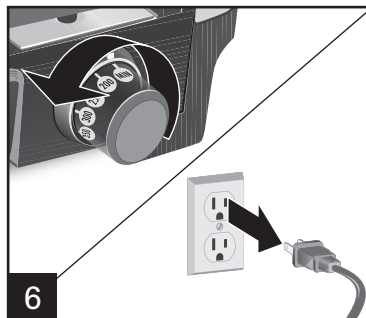


4 Tourner le cadran de commande de température à la température désirée. Préchauffer en laissant le couvercle fermé pendant 5 à 10 minutes avant de commencer la cuisson. Le témoin vert s'allumera dès que la température choisie est atteinte.



5 Déposer les aliments sur la grille ; couvrir.

Utiliser uniquement des ustensiles résistants à des températures élevées (232 °C [450 °F]) et sécuritaires pour les surfaces antiadhésives. Ceci permettra de prolonger la durée de vie du revêtement antiadhésif.



6 Lorsque la cuisson au gril est terminée, tourner la commande à MIN (le témoin restera allumé). Débrancher d'abord la fiche de la prise murale.

Guide de cuisson

Visiter le site www.foodsafety.gov pour plus d'information au sujet de la température de cuisson interne des aliments.

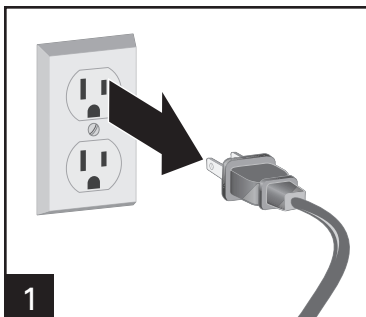
Les viandes grillées doivent reposer pendant 3 minutes avant de les couper ou les trancher.

ALIMENT	TEMPÉRATURE DE CUISSON	TEMPS APPROXIMATIF	TEST DE CUISSON
Bifteck, 1,3 cm (1/2 po) d'épaisseur	SEAR (saisir), tourner sur un demi-tour à la mi-cuisson	6 à 14 minutes	Pour une cuisson sécuritaire, le thermomètre à viande doit indiquer au moins 63 °C / 145 °F
Côtelettes de porc, 1,3 cm (1/2 po) d'épaisseur	SAISIR pendant 4 minutes ; retourner. Diminuer la température à 177 °C / 350 °F. Continuer la cuisson.	7 à 9 minutes	Le thermomètre à viande indique 63 °C / 145 °F
Poitrine de poulet (6 oz.), désossée	177 °C / 350 °F, tourner sur un demi-tour à la mi-cuisson	12 à 15 minutes	Le thermomètre à viande indique 73,9 °C / 165 °F ; le jus coule librement
Hamburger, 1,3 cm (1/2 po) d'épaisseur	SAISIR pendant 4 minutes ; Reduce retourner. Diminuer la température à 190 °C / 375 °F. Continuer la cuisson.	8 à 10 minutes	Le thermomètre à viande indique au moins 63 °C / 145 °F pour une cuisson sécuritaire
Saucisses ou croquettes	177 °C / 350 °F, tourner sur un demi-tour à la mi-cuisson	12 à 14 minutes	Le thermomètre à viande indique 71 °C / 160 °F ; le jus coule librement
Hot Dogs	190 °C / 375 °F, tourner sur un demi-tour à la mi-cuisson	7 à 9 minutes	Le thermomètre à viande indique 71 °C / 160 °F
Carrés de filet de poisson	SAISIR pendant 5 minutes ; retourner. Diminuer la température à 190 °C / 375 °F. Continuer la cuisson.	10 minutes par 1 po épaisseur	Opaque et formant des lamelles avec fourchette
Mais en épi, épluché	177 °C / 350 °F, tourner sur un demi-tour à la mi-cuisson	10 à 12 minutes	Grains jaune clair et légèrement grillés
Poivrons, coupés en deux, épépinés	177 °C / 350 °F, tourner sur un demi-tour à la mi-cuisson	10 à 12 minutes	Croustillants et légèrement grillés
Champignons de Paris	177 °C / 350 °F, tourner sur un demi-tour à la mi-cuisson	12 à 15 minutes	Tendres lorsque piqués à la fourchette

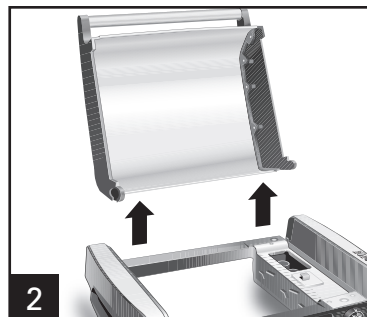
Entretien et nettoyage

⚠ AVERTISSEMENT Risque d'électrocution.

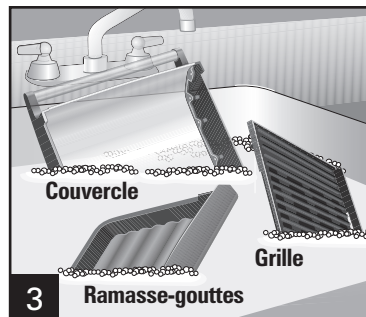
Débrancher l'appareil avant le nettoyage. Ne pas immerger la base, le cordon, la fiche ou la base dans l'eau ou quelconque liquide.



Débrancher le gril de la prise et le laisser refroidir. Jeter prudemment toute graisse.



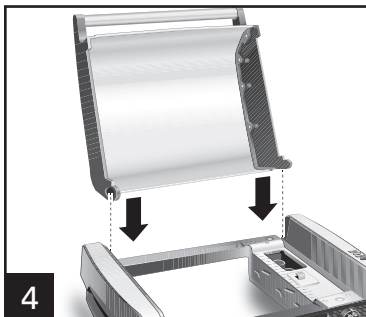
Retrait du couvercle pour le nettoyage : Ouvrir le couvercle et tirer doucement vers le haut et retirer pour nettoyer avec de l'eau chaude savonneuse. Rincer avec de l'eau et assécher.



Laver la grille, le couvercle et le ramasse-gouttes dans de l'eau chaude savonneuse. Utiliser un tampon à récurer en nylon ou en plastique et un détergent non abrasif. Ne pas utiliser de tampon à récurer métallique. Rincer et laisser sécher.



NE PAS utiliser le réglage « SANI » du lave-vaisselle. Les températures du cycle « SANI » peuvent endommager le produit.



Réinstallation du couvercle : Aligner l'intérieur du couvercle avec l'extérieur de la base puis glisser doucement en place. Le couvercle doit rester à la verticale pendant le retrait et l'installation.

SI VOUS HABITEZ DANS UNE RÉGION À HAUTE ALTITUDE :

Les services de vulgarisation offrent les informations au sujet de la cuisson pour votre région. Pour trouver la coopérative de services de vulgarisation, veuillez visiter le site <http://www.csrees.usda.gov/Extension/>.

Directives pour la cuisson au grill

- **Temps de cuisson au grill** : Les temps de cuisson des recettes sont des estimations. Le temps de cuisson variera d'après la température de la grille, l'air ambiant et l'aliment lui-même. Bien surveiller les aliments pendant la cuisson au grill et ajuster le temps de cuisson au besoin.
- **Conseils pour mariner** : Ne jamais faire mariner des aliments dans des contenants en métal pendant des périodes prolongées (2 heures et plus). Les acides dans les aliments peuvent réagir avec le métal, causant un goût désagréable. Utiliser plutôt des contenants en verre, céramique ou sac de plastique pour faire mariner.
- **Conseil de sécurité pour les viandes** : Pour réduire le risque de détérioration, garder la viande au réfrigérateur jusqu'au moment de la faire cuire. Ne jamais décongeler ou faire mariner de la viande à une température ambiante, surtout dans les climats chauds.
- **Conseil de sécurité pour les aliments** : Ne jamais utiliser de restant de marinade comme sauce de finition sur les aliments cuits. La marinade qui reste doit d'abord être bouillie pendant une à deux minutes pour tuer toutes les bactéries provenant des aliments crus qui ont été marinés.
- **Conseil pour le grillage sans adhésion** : Sans l'utilisation d'huile, certains aliments adhéreront légèrement aux surfaces non adhésives. Cette situation peut facilement être évitée. Avant d'allumer le grill, répandre avec un pinceau ou un vaporisateur une couche légère d'huile ou de vaporisant à cuisson non adhésif. (Ne jamais ajouter d'huile ou de vaporisant à une grille chauffée, ce qui peut être dangereux.)
- Toujours bien lire les renseignements de sécurité.

Conseils pour la cuisson au grill

- Fermer le couvercle lors du préchauffage ou de la cuisson, sauf si la recette ne le suggère pas.
- Veuillez vous rappeler que votre grille est enduit d'une surface non adhésive et que des accessoires de plastique doivent toujours être utilisés.
- Si on fait griller des légumes, poissons ou viande maigre, vaporiser la surface de cuisson avec un vaporisant pour cuisson. Si on fait griller une viande avec section grasse, ou si l'aliment a été mariné, il n'est pas nécessaire de traiter la plaque.
- Pour obtenir les meilleurs résultats, préchauffer le grill en laissant le couvercle fermé 5 à 10 minutes avant la cuisson.
- Des brochettes sont disponibles dans la plupart des supermarchés. Si on emploie des brochettes jetables en bois, tremper les brochettes dans l'eau environ 10 minutes avant d'y enfiler les aliments. Cette action empêche la brochette de brûler et fournit une présentation plus attrayante.
- Si on emploie une marinade à base d'huile, placer le grill près d'une hotte de ventilation. L'huile ou la graisse produiront un peu de fumée.
- La marinade ou les sauces peuvent adhérer à la grille ; utiliser une spatule pour parer avant de trancher ou couper.

Recettes

Visiter le site www.foodsafety.gov pour plus d'information au sujet de la température de cuisson interne des aliments.

Bœuf barbecue à la texane

250 ml (1 tasse) de sauce chili
45 ml (3 c. à soupe) de poudre chili
5 ml (1 c. à café) de cumin moulu
125 ml (1/2 tasse) de bière
2,5 ml (1/2 c. à café) de flocons de poivron rouge séché
80 ml (1/3 tasse) d'huile végétale
60 ml (1/4 tasse) d'oignon vert haché finement (parties blanche et verte)
1 bifteck d'intérieur de ronde, sans os, d'environ 2,5 cm (1 po) d'épaisseur (environ 680 à 900 g [1,5 à 2 lb])

Instructions

1. Dans un plat en verre ou un sac en plastique à fermeture, combiner tous les ingrédients, sauf le bifteck. Ajouter le bifteck, retourner ou remuer pour recouvrir de marinade. Mariner au réfrigérateur pendant 3 heures ou toute la nuit.
2. Préchauffer le gril à SEAR (saisir).
3. Retirer le bifteck de la marinade ; jeter la marinade. Saupoudrer le bifteck avec du sel si désiré. Déposer le bifteck sur la grille ; couvrir.
4. Griller pendant 18 à 22 minutes ou jusqu'au degré de cuisson désiré, retourner sur 1/2 tour à la mi-cuisson.
5. Transférer le bifteck sur une planche à découper et laisser reposer pendant 5 minutes légèrement couvert d'une feuille d'aluminium.
6. Pour service, trancher finement dans le sens contraire des fibres.

Servir : 4

Brochettes de légumes marinés

1 boîte (415 ml [14 oz]) de cœurs d'artichauts, coupés en deux
8 gros champignons, tranchés épais
1 gros poivron jaune, coupés en morceaux
1 gros poivron vert, coupés en morceaux
1 petit oignon rouge, coupés en morceaux

Marinade :

60 ml (1/4 tasse) de vinaigre balsamique
15 ml (1 c. à soupe) d'huile d'olive
10 ml (2 c. à café) de sel d'ail
10 ml (2 c. à café) de basilic séché
Poivre vert au goût

Instructions

1. Dans un plat en verre ou un sac en plastique à fermeture, combiner tous les ingrédients de la marinade. Ajouter les légumes, retourner ou remuer pour recouvrir de marinade. Mariner au réfrigérateur pendant 30 minutes à 1 heure.
2. Préchauffer le gril à 177 °C (350 °F).
3. Retirer les légumes de la marinade ; jeter la marinade. Enfiler les légumes sur les brochettes. Déposer les brochettes sur la grille ; couvrir.
4. Griller pendant 8 à 12 minutes, retourner sur 1/2 tour à la mi-cuisson.

Servir : 4

Recettes (suite)

Salade de poulet grillé

500 g (1 lb) de poitrines de poulet, désossées
15 ml (1 c. à soupe) d'huile végétale
30 ml (2 c. à soupe) de sauce soja
15 ml (1 c. à soupe) de miel
2 gousses d'ail, écrasées
15 ml (1 c. à soupe) de poudre de cari
5 ml (1 c. à café) de curcuma moulu
5 ml (1 c. à café) de gingembre moulu
5 ml (1 c. à café) de cumin moulu
Salade de légumes verts variés

Instructions

1. Couper le poulet en lanières de 2,5 cm (1 po). Dans un plat en verre ou un sac en plastique à fermeture, combiner tous les ingrédients, sauf la salade de légumes verts. Ajouter les lanières de poulet, retourner ou remuer pour recouvrir de marinade. Mariner au réfrigérateur pendant 30 minutes.
2. Préchauffer le gril à 177 °C (350 °F).
3. Retirer les lanières de poulet de la marinade ; jeter la marinade. Déposer les lanières de poulet sur la grille ; couvrir.
4. Griller les lanières de poulet pendant 4 à 5 minutes de chaque côté, jusqu'à ce que le jus de la viande piquée soit clair. Laisser reposer le poulet pendant quelques minutes.
5. Servir le poulet sur une salade de légumes verts variés.

Servir : 4

Mahi mahi au gingembre et aneth

60 ml (1/4 tasse) de jus de lime
1,3 ml (1/4 c. à café) de poivre vert moulu grossièrement
1,3 ml (1/4 c. à café) de racine de gingembre fraîche et râpée
1,3 ml (1/4 c. à café) d'herbe d'aneth
300 g (3/4 lb) de mahi mahi

Instructions

1. Dans un plat en verre ou un sac en plastique à fermeture, combiner tous les ingrédients, sauf le mahi mahi. Ajouter le poisson, retourner ou remuer pour recouvrir de marinade. Mariner au réfrigérateur pendant 30 minutes à 1 heure.
2. Préchauffer le gril à SEAR (saisir).
3. Retirer le poisson de la marinade ; jeter la marinade. Déposer le poisson sur la grille ; couvrir.
4. Griller pendant 5 minutes ; tourner le poisson.
5. Diminuer la température à 190 °C (375 °F). Griller 5 minutes de plus ou jusqu'à ce que le poisson s'effiloche facilement à la fourchette.

Servir : 2

Recettes (suite)

Ailes de poulet au chili épicé

1,4 à 1,6 kg (3 à 3 1/2 lb) d'ailes de poulet (environ 15 à 18 ailes)
45 ml (3 c. à soupe) d'huile d'olive
45 ml (3 c. à soupe) de jus de lime fraîche
4 grosses gousses d'ail, pelées et émincées
10 ml (2 c. à café) de cumin moulu
10 ml (2 c. à café) de coriandre moulu
10 ml (2 c. à café) de paprika
5 ml (1 c. à café) de gingembre pelé et râpé
5 ml (1 c. à café) de sel, ou au goût
2,5 ml (1/2 c. à café) de poudre de chili épicé en poudre ou poivre de cayenne
2,5 ml (1/2 c. à café) de cannelle moulue

Instructions

1. Rincer les ailes de poulet sous l'eau froide et assécher avec des serviettes de papier. Couper la pointe des ailes et les jeter (ou les envelopper et les surgeler pour pouvoir ajouter de la saveur aux soupes et bouillons maison ou en boîte.)
2. Dans un plat en verre ou un sac en plastique à fermeture, combiner tous les ingrédients, sauf les ailes de poulet. Ajouter les ailes de poulet, retourner ou remuer pour recouvrir de marinade. Mariner au réfrigérateur pendant 2 à 4 heures.
3. Préchauffer le gril à SEAR (saisir).
4. Retirer les ailes de poulet de la marinade ; jeter la marinade. Déposer les ailes de poulet sur la grille ; couvrir.
5. Griller pendant 5 minutes ; tourner les ailes de poulet. Diminuer la température à 177 °C (350 °F). Griller pendant 25 à 30 minutes ou jusqu'à ce qu'elles soient complètement cuites et en tournant avec des pinces toutes les 10 minutes pour éviter de les brûler et assurer une cuisson uniforme. Pour vérifier la cuisson, couper la partie la plus épaisse de l'aile. La viande doit être blanche, sans trace de rose et le jus doit être clair. **Servir : 8 à 10 amuse-gueules**

22

Crevettes grillées à la cajun

75 ml (5 c. à soupe) d'assaisonnement à la cajun
30 ml (2 c. à soupe) de jus de citron frais
30 ml (2 c. à soupe) de gingembre frais émincé
15 ml (1 c. à soupe) d'huile d'olive
15 ml (1 c. à soupe) d'huile de sésame
10 ml (2 c. à café) de moutarde sèche
10 ml (2 c. à café) de sauce aux piments forts
32 grosses crevettes crues, pelées, déveinées, avec la queue

Instructions

1. Dans un plat en verre ou un sac en plastique à fermeture, combiner tous les ingrédients, sauf les crevettes. Ajouter les crevettes, retourner ou remuer pour recouvrir de marinade. Mariner au réfrigérateur pendant 1 à 2 heures.
2. Préchauffer le gril à SEAR (saisir).
3. Retirer les crevettes de la marinade ; jeter la marinade. Déposer les crevettes sur la grille ; couvrir.
4. Griller pendant 2 minutes ; tourner les crevettes. Griller 2 minutes de plus ou jusqu'à ce que les crevettes soient roses et opaques.

Servir : 6

Notes

Garantie limitée

Cette garantie s'applique aux produits achetés et utilisés aux É.-U. et au Canada. C'est la seule garantie expresse pour ce produit et est en lieu et place de tout autre garantie ou condition.

Ce produit est garanti contre tout défaut de matériaux et de main-d'oeuvre pour une période de un (1) an à compter de la date d'achat d'origine. Au cours de cette période, votre seul recours est la réparation ou le remplacement de ce produit ou tout composant s'avérant défectueux, à notre gré, mais vous êtes responsable de tous les coûts liés à l'expédition du produit et le retour d'un produit ou d'un composant dans le cadre de cette garantie. Si le produit ou un composant n'est plus offert, nous le remplacerons par un produit similaire de valeur égale ou supérieure.

Cette garantie ne couvre pas le verre, les filtres, l'usure d'un usage normal, l'utilisation non conforme aux directives imprimées, ou des dommages au produit résultant d'un accident, modification, utilisation abusive ou incorrecte. Cette garantie s'applique seulement à l'acheteur original ou à la personne l'ayant reçu en cadeau. La présentation du reçu de vente d'origine comme preuve d'achat est nécessaire pour faire une réclamation au titre de cette garantie. Cette garantie s'annule si le produit est utilisé autrement que par une famille ou si l'appareil est soumis à toute tension ou forme d'onde différente des caractéristiques nominales précisées sur l'étiquette (par ex. : 120 V ~ 60 Hz).

Nous excluons toutes les réclamations au titre de cette garantie pour les dommages spéciaux, consécutifs et indirects causés par la violation de garantie expresse ou implicite. Toute responsabilité est limitée au prix d'achat. **Chaque garantie implicite, y compris toute garantie ou condition de qualité marchande ou d'adéquation à un usage particulier, est exonérée, sauf dans la mesure interdite par la loi, auquel cas la garantie ou condition est limitée à la durée de cette garantie écrite.** Cette garantie vous donne des droits légaux précis. Vous pouvez avoir d'autres droits qui varient selon l'endroit où vous habitez. Certaines provinces ne permettent pas les limitations sur les garanties implicites ou les dommages spéciaux ou indirects de telle sorte que les limitations ci-dessus ne s'appliquent peut-être pas à votre cas.

Ne pas retourner cet appareil au magasin lors d'une réclamation au titre de cette garantie. Téléphoner au 1.800.851.8900 aux É.-U. ou au 1.800.267.2826 au Canada ou visiter le site internet www.hamiltonbeach.com aux É.-U. ou www.hamiltonbeach.ca au Canada. Pour un service plus rapide, trouvez le numéro de modèle, le type d'appareil et les numéros de série sur votre appareil.

SALVAGUARDIAS IMPORTANTES

Cuando use aparatos eléctricos, es importante seguir todas las precauciones básicas de seguridad que incluyen lo siguiente:

1. Lea todas las instrucciones.
2. Verifique que el voltaje de su instalación corresponda con el del producto.
3. No toque superficies calientes. Use asas o perrillas.
4. Para protegerse contra el riesgo de choque eléctrico, no sumerja el base, el cable o el enchufe en agua ni en algún otro líquido.
5. Es necesario que haya buena supervisión cuando los niños utilicen aparatos o cuando éstos se estén utilizando cerca de niños.
6. Desenchúfela del tomacorriente cuando no la esté usando y antes de la limpieza. Deje que se enfríe antes de colocar o sacar alguna pieza y antes de limpiar el aparato.
7. No opere ningún aparato eléctrico si el cable o el enchufe están averiados, después de un mal funcionamiento del aparato o si éste se ha caído o averiado de alguna forma. Llame a nuestro número gratuito de servicio al cliente para información sobre examinación, reparación o ajuste.
8. No la use al aire libre.
9. El uso de accesorios no recomendados por el fabricante del aparato puede causar lesiones.
10. No deje que el cable cuelgue sobre el borde de una mesa o mostrador o que toque alguna superficie caliente, incluyendo la superficie de la estufa.
11. No la coloque sobre o cerca de una fuente de gas caliente o de un quemador eléctrico, ni dentro de un horno caliente.
12. Extremo cuidado debe de tomarse cuando se mueve un aparato que contenga aceite caliente u otro líquido caliente.
13. No use el aparato para ningún otro fin que no sea el indicado.
14. Asegúrese de que las planchas de cocción desmontables estén bien colocadas antes de iniciar la cocción.
15. Para desconectar, coloque el control en la posición apagada MIN y saque el enchufe del tomacorriente.
16. No deje el aparato sin supervisión cuando esté funcionando.
17. Siempre use el aparato sobre una superficie seca y nivelada.
18. Tenga mucho cuidado cuando quite la bandeja o elimine grasa caliente.

¡GUARDE ESTAS INSTRUCCIONES!

Otra Información de Seguridad para el Cliente

Este aparato está planeado para uso doméstico.

¡ADVERTENCIA! Peligro de Descarga Eléctrica: Este aparato cuenta con un enchufe polarizado (una pata más ancha) que reduce el riesgo de una descarga eléctrica. El enchufe embona únicamente en una dirección dentro de un tomacorriente polarizado. No trate de obviar el propósito de seguridad del enchufe modificándolo de alguna manera o utilizando un adaptador. Si el enchufe no entra completamente en la toma, invierta el enchufe. Si aún no entra, haga que un electricista reemplace la toma.

El largo del cable que se usa en este aparato fue seleccionado para reducir el peligro de que alguien se enganche o tropiece con un cable más largo. Si es necesario usar un cable más largo, se podrá usar un cable de extensión aprobado. La clasificación eléctrica nominal del cable de extensión debe ser igual o mayor que la clasificación nominal del aparato. Es importante tener cuidado de colocar el cable de extensión para que no se pliegue sobre el mostrador o la mesera en donde niños puedan tirar del mismo o tropezarse accidentalmente.

Para evitar sobrecargas en el circuito eléctrico, no use otro aparato de alto consumo de watts en el mismo circuito de este aparato.

Un cable extensión debe ser conectado primero al aparato, antes de que sea conectado a la toma.

Siempre utilice la parrilla sobre una superficie lisa para asegurarse de esta forma de que la grasa y el aceite se escurran debidamente. Tenga cuidado cuando limpie la grasa caliente derramada. Cocine con precaución cerca de la grasa que salpica.

Siempre utilice la bandeja de goteo y verifique que se encuentre sobre el mostrador directamente debajo de la parrilla antes de su uso.

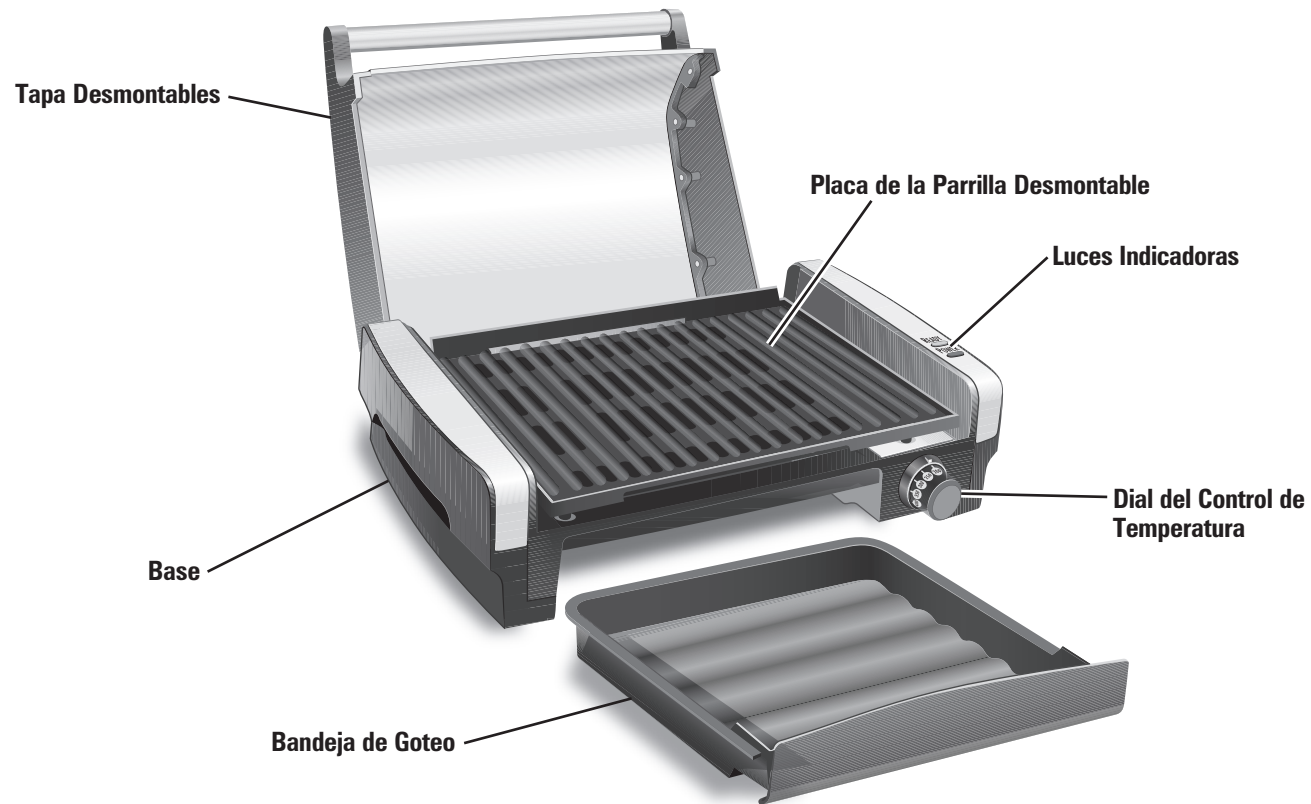
Nunca traslade la parrilla mientras esté en funcionamiento. Desenchufe la unidad y deje que se enfríe antes de moverla.

Siempre utilice guante para cocina para proteger la mano cuando abra la parrilla.

¡PRECAUCIÓN! Peligro de Quemaduras: El vapor que escapa puede quemar.

Piezas y Características

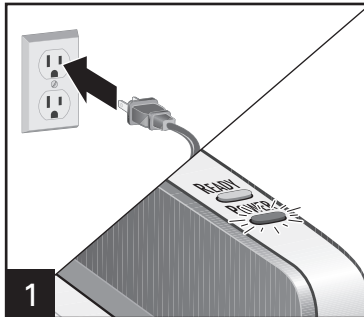
ANTES DEL PRIMER USO: Lave el placa de la parrilla y la tapa en agua caliente y jabonosa. Enjuague y seque bien. No sumerja el base de corriente en agua ni en ningún otro líquido.



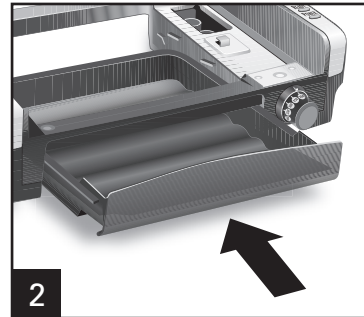
Cómo Asar

⚠ ADVERTENCIA Peligro de Quemarse.

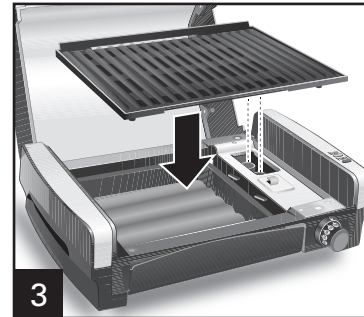
Siempre use unos guantes de cocina para proteger las manos cuando abra la parrilla de contacto caliente. El vapor que escapa puede quemar.



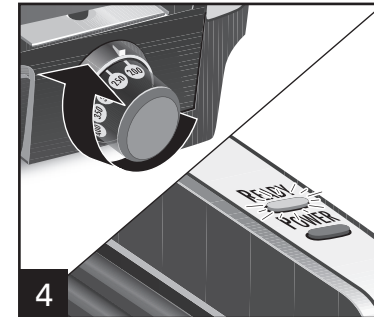
Enchufe el cable en una toma eléctrica. La luz de Encendido roja se encenderá.



Deslice la bandeja de goteo debajo de la parrilla.



Verifique que la placa esté bien colocada en la base.

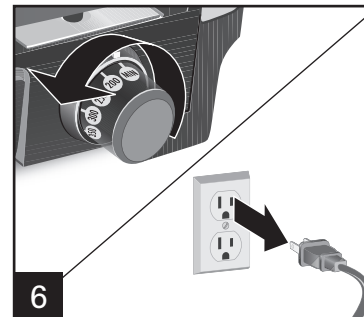


Programe la perilla de control de temperatura en la configuración de calor deseada. Precaliente la unidad con la tapa cerrada de 5 a 10 minutos antes de asar. Se encenderá la luz verde de **READY** (listo) cuando la parrilla alcance la temperatura seleccionada.



Coloque los alimentos sobre la placa de la parrilla; tape.

Sólo use utensilios que son resistentes de alta temperatura (~450°F/232°C) y caja fuerte para las superficies antiadherentes. Esto ayudará a prolongar la vida del recubrimiento antiadherente.



Cuando haya terminado de asar, gire el control a MIN (las luces indicadores permanecerán encendidas). Luego saque el enchufe del tomacorriente.

Tabla de Tiempos de Cocción

Para obtener más información sobre temperaturas seguras de cocción interna, visite www.foodsafety.gov.

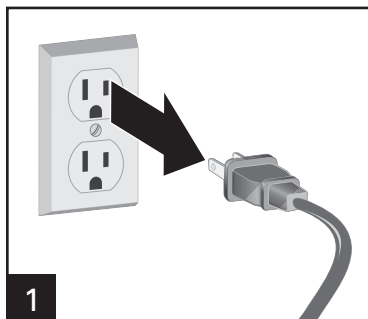
Las carnes asadas deben reposar por 3 minutos antes de cortarse o rebanarse.

ALIMENTO	TEMPERATURA DE COCCIÓN	TIEMPO APROXIMADO	PRUEBA DE GRADO DE COCCIÓN
Filete de Carne Vacuna, grosor de 1/2 pulgada (1.3 cm)	SEAR (sellar), dando vuelta a la mitad del tiempo de asado.	6 a 14 minutos	El termómetro de carne registra por lo menos 145°F/63°C para seguridad de los alimentos
Costillas de Cerdo, grosor de 1/2 pulgada (1.3 cm)	SEAR (sellar) por 4 minutos; luego dé vuelta. Reduzca la temperatura a 350°F/177°C. Continúe con la cocción.	7 a 9 minutos	El termómetro de carne registra 145°F/63°
Pechugas de Pollo (6 oz), sin hueso	350°F/177°C, dando vuelta a la mitad del tiempo de asado.	12 a 15 minutos	El termómetro de carne registra 165°F/73.9°C; el jugo es transparente
Hamburguesas, grosor de 1/2 pulgada (1.3 cm)	SEAR (sellar) por 4 minutos; luego dé vuelta. Reduzca la temperatura a 375°F/190°C. Continúe con la cocción.	8 a 10 minutos	El termómetro de carne registra por lo menos 145°F/63°C para seguridad de los alimentos
Salchichas o Croquetas	350°F/177°C, dando vuelta a la mitad del tiempo de asado.	12 a 14 minutos	El termómetro de carne registra 160°F/71°C; el jugo es transparente
Hot Dogs	375°F/190°C, dando vuelta a la mitad del tiempo de asado.	7 a 9 minutos	El termómetro de carne registra 160°F/71°C
Filetes de Pescado	SEAR (sellar) por 5 minutos; luego dé vuelta. Reduzca la temperatura a 375°F/190°C. Continúe con la cocción.	10 minutos por 1 pulg. espesor	Opacos y se desmenuzan con el tenedor
Mazorca de maíz sin chala	350°F/177°C, dando vuelta a la mitad del tiempo de asado.	10 a 12 minutos	Granos amarillos brillantes y ligeramente tostados
Pimientos en mitades sin semillas	350°F/177°C, dando vuelta a la mitad del tiempo de asado.	10 a 12 minutos	Crujientes y tiernos y ligeramente tostados
Champiñones Portobella	350°F/177°C, dando vuelta a la mitad del tiempo de asado.	12 a 15 minutos	Tiernos cuando se los pincha con un tenedor

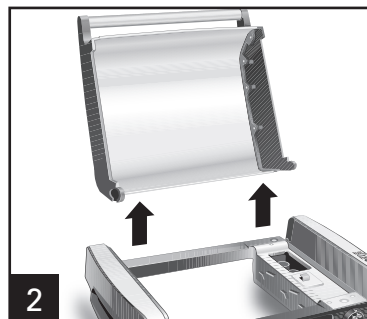
Cuidado y Limpieza

⚠ ADVERTENCIA Peligro de Descarga Eléctrica.

Desconecte la energía antes de limpiar. No sumerja el base, el cable o el enchufe en agua u otro líquido.



Desenchufe la parrilla del tomacorriente y deje enfriar. Elimine la grasa con cuidado.



Cómo quitar la tapa para la limpieza: Abra la tapa; suavemente jale hacia arriba y quítela para limpiarla con agua caliente jabonosa. Enjuague con agua y seque.



Lave la placa de la parrilla, la tapa y la bandeja de goteo en agua caliente jabonosa. Utilice una esponjilla plástica o de nylon y un limpiador líquido no abrasivo. No utilice esponjillas de metal. Enjuague y deje secar.



Cómo volver a colocar la tapa: Alinee la parte interna de la pieza de la tapa con la parte exterior de la base; suavemente deslice en su posición. La tapa debe permanecer en la posición vertical al quitarla y volver a colocarla.

RESISTENTE AL LAVAVAJILLAS

No utilice la configuración "SANI" cuando la lave en el lavavajillas. Las temperaturas del ciclo "SANI" pueden dañar su producto.

SI USTED VIVE EN UNA ÁREA DE ALTITUD ELEVADA:

El servicio de extensión tendrá información detallada sobre cocción en su área. Para ubicar el servicio de extensión cooperativa en su condado, tenga a bien visitar la siguiente página: <http://www.csrees.usda.gov/Extension/>.

Pautas para Asar

- **Tiempos de Asado:** Los tiempos de cocción de la receta son estimativos. El tiempo de cocción variará de acuerdo con la temperatura de la parrilla para asar, el aire circundante, y la comida misma. Observe la comida con atención mientras asa en la parrilla y ajuste el tiempo de cocción de ser necesario.
- **Consejos para Adobar:** Nunca adobe las comidas en envases metálicos durante períodos de tiempo prolongados (2 o más horas). Los ácidos en las comidas pueden reaccionar al metal, generando un gusto desagradable. En cambio, use envases de vidrio, cerámica, o bolsas de plástico para adobar.
- **Consejos sobre la Seguridad de la Carne:** A fin de reducir el riesgo de que se eche a perder, guarde la carne en el refrigerador hasta que sea el momento de cocinar la misma. Nunca descongele ni adobe la carne a temperatura ambiente, especialmente en climas cálidos.
- **Consejos sobre la Seguridad de la Comida:** Nunca use los restos del adobo como salsa para las comidas cocinadas. Primero se deberá hervir los mismos durante uno o dos minutos para matar cualquier bacteria de la comida cruda que fue adobada.
- **Consejo para Asar sin Adherencias:** Sin el uso de aceite, ciertas comidas se adherirán levemente a superficies antiadherentes. Esto se puede prevenir fácilmente. Antes de encender la parrilla para asar, cepille o rocíe la misma levemente con aceite o spray de cocción antiadherente. (Nunca agregue aceite o spray si la parrilla está caliente — esto es peligroso).
- Siempre lea toda la información de seguridad.

Consejos para Asar a la Parrilla

- Cubra la parrilla cuando precaliente o ase, a menos que la receta indique otra cosa.
- Recuerde que su parrilla viene revestida con una superficie antiadherente y es importante usar siempre utensilios de plástico.
- Si asa verduras, pescado o carnes magras, rocíe la superficie de la parrilla con aceite de cocina en aerosol. Si asa carnes con cierta cantidad de grasa, o si los alimentos se han marinado, no habrá necesidad de preparar la parrilla.
- Para obtener los mejores resultados, precaliente la parrilla con la tapa cerrada entre 5 y 10 minutos antes de asar.
- Los pinchos para brocheta se pueden comprar en la mayoría de los super-mercados. Si usa pinchos de madera de tipo descartable, sumérjalos en agua por unos 10 minutos antes de pinchar los alimentos. Esto evita que el pincho se queme y hace que la presentación sea más atractiva.
- Si usa un adobo hecho con aceite, coloque la parrilla cerca de una campana de humo ya que el aceite y la grasa producen bastante humo.
- Pueden cocinarse adobos o salsas sobre la placa de la parrilla; utilice una espátula para limpiar antes de recortar o cortar.

Recetas

Para obtener más información sobre temperaturas seguras de cocción interna, visite www.foodsafety.gov.

Barbacoa de Carne Estilo Texas

- 1 taza (250 ml) de salsa de chile
- 3 cucharadas (45 ml) de chile en polvo
- 1 cucharadita (5 ml) de comino molido
- 1/2 taza (125 ml) de cerveza
- 1/2 cucharadita (2.5 ml) de pimiento rojo deshidratado en escamas
- 1/3 taza (80 ml) de aceite vegetal
- 1/4 taza (60 ml) de cebolletas picadas finas (partes blancas y verdes)
- 1 trozo de carne de res deshuesado cortado en un grosor de 1 pulgada (cerca de 1 1/2 a 2 libras)

Instrucciones

1. En un plato de vidrio o bolsa plástica mezcle todos los ingredientes salvo la carne. Agregue la carne; dé varias vueltas para bañar bien. Deje marinar en el refrigerador por 3 horas o durante toda la noche.
2. Precaliente la parrilla en SEAR (sellar).
3. Quite la carne del adobo y descártelo. Espolvoree con sal si lo desea. Coloque la carne sobre la parrilla; tape.
4. Ase de 18 a 22 minutos o hasta alcanzar el nivel de cocción deseado, dando vuelta la carne a la mitad del tiempo de cocción.
5. Transfiera la carne a la tabla para cortar y deje reposar por 5 minutos, cubierta con papel de aluminio.
6. Para servir, rebane cortes finos en forma transversal.

Porciones: 4

Kabobs de Vegetales Marinados

- 1 lata (14 oz.) de corazones de alcaucil cortados en mitades
- 8 champiñones grandes cortados en rebanadas gruesas
- 1 pimiento amarillo grande cortado en trozos
- 1 pimiento verde grande cortado en trozos
- 1 cebolla roja pequeña cortada en trozos

Adobo:

- 1/4 taza (60 ml) de vinagre balsámico
- 1 cucharada (15 ml) de aceite de oliva
- 2 cucharaditas (10 ml) de sal de ajo
- 2 cucharaditas (10 ml) de albahaca deshidratada
- Pimienta molida a gusto

Instrucciones

1. En un plato de vidrio o bolsa plástica mezcle todos los ingredientes del adobo. Agregue los vegetales; dé varias vueltas para bañar bien. Deje marinar en el refrigerador por 30 minutos a 1 hora.
2. Precaliente la parrilla en 350°F (177°C).
3. Quite los vegetales del adobo y descártelo. Ensarte los vegetales en las brochetas. Coloque la kabobs sobre la parrilla; tape.
4. Ase de 18 a 12 minutos, dando vuelta a la mitad del tiempo de cocción.

Porciones: 4

Recetas (cont.)

Ensalada de Pollo Asado

1 libra (0.5 kg) de pechugas de pollo deshuesadas
1 cucharada (15 ml) de aceite vegetal
2 cucharadas (30 ml) de salsa de soya
1 cucharada (15 ml) de miel
2 dientes de ajo machacados
1 cucharada (15 ml) de curry en polvo
1 cucharadita (5 ml) de cúrcuma molida
1 cucharadita (5 ml) de jengibre molido
1 cucharadita (5 ml) de comino molido
Hojas verdes mezcladas

Instrucciones

1. Corte el pollo en tiritas de 1 pulgada. En un plato de vidrio o bolsa plástica mezcle todos los ingredientes salvo las hojas verdes. Agregue las tiritas de pollo; dé varias vueltas para bañar bien. Deje marinar en el refrigerador por 30 minutos.
2. Precaliente la parrilla en 350°F (177°C).
3. Quite las tiritas de pollo del adobo y descártelo. Coloque las tiritas de pollo sobre la parrilla; tape.
4. Ase las tiritas de pollo de 4 a 5 minutos sobre cada lado, hasta que los jugos salgan transparentes y la carne no esté rosada. Deje reposar el pollo por unos minutos.
5. Sirva el pollo sobre las hojas verdes.

Porciones: 4

Mahi Mahi con Jengibre y Eneldo

1/4 taza (60 ml) de jugo de lima
1/4 cucharadita (1.3 ml) de pimienta negra molida gruesa
1/4 cucharadita (1.3 ml) de raíz de jengibre recién rallada
1/4 de cucharadita (1.3 ml) de eneldo
Mahi mahi de 3/4 libras (0.3 kg)

Instrucciones

1. En un plato de vidrio o bolsa plástica mezcle todos los ingredientes salvo el pescado. Agregue el pescado; dé varias vueltas para bañar bien. Deje marinar en el refrigerador por 30 minutos a 1 hora.
2. Precaliente la parrilla en SEAR (sellar).
3. Quite el pescado del adobo y descártelo. Coloque el pescado sobre la parrilla; tape.
4. Ase por 5 minutos; dé vuelta el pescado.
5. Baje el calor a 375°F (190°C). Ase durante 5 minutos más o hasta que el pescado se desmenuce cuando presione con un tenedor.

Porciones: 2

Recetas (cont.)

Alitas de Pollo Picantes con Chile

3 a 3 1/2 libras de alitas de pollo (alrededor de 15 a 18 alitas)
3 cucharadas (45 ml) de aceite de oliva
3 cucharadas (45 ml) de jugo de lima fresco
4 dientes de ajo grandes pelados y picados
2 cucharaditas (10 ml) de comino molido
2 cucharaditas (10 ml) de cilantro picado
2 cucharaditas (10 ml) de p  prika
1 cucharadita (5 ml) de jengibre pelado y rallado
1 cucharadita (5 ml) de sal o sal a gusto
1/2 cucharadita (2.5 ml) de chili picante en polvo O pimienta de cayena
1/2 cucharadita (2.5 ml) de canela molida

Instrucciones

1. Enjuague las alitas de pollo en agua fr  a del grifo y seque con toallas de papel. Corte las puntas de las alitas en las articulaciones y descarte las puntas. (O envuelva y congele las puntas para utilizarlas m  s tarde para agregar sabor a sopas o caldos enlatados o caseros).
2. En un plato de vidrio o bolsa pl  stica mezcle todos los ingredientes salvo las alitas de pollo. Agregue las alitas de pollo ; d   varias vueltas para ba  ar bien. Deje marinar en el refrigerador por 2 a 4 horas.
3. Precaliente la parrilla en SEAR (sellar).
4. Quite las alitas de pollo del adobo y desc  rtelo. Coloque las alitas de pollo sobre la parrilla; tape.
5. Ase por 5 minutos; d   vuelta las alitas de pollo. Baje el calor a 350  F (177  C). Ase de 25 a 30 minutos o hasta que est  n listas, gir  ndolas con pinzas cada 10 minutos para que no se quemen y asegurar una cocci  n pareja. Para verificar el nivel de cocci  n, haga un corte en la parte m  s gruesa de la alita. La carne debe ser blanca, sin rastros de rosado, y los jugos deben ser transparentes.

Porciones: 8 a 10 aperitivos

Langostinos asados estilo Cajun

5 cucharadas (75 ml) de mezcla de condimentos estilo Cajun
2 cucharadas (30 ml) de jugo de lim  n fresco
2 cucharadas (30 ml) de jengibre picado fresco
1 cucharada (15 ml) de aceite de oliva
1 cucharada (15 ml) de aceite de s  samo
2 cucharaditas (10 ml) de mostaza deshidratada
2 cucharaditas (10 ml) de salsa de pimiento picante
32 langostinos crudos grandes, pelados y sin vena, pero con las colas

Instrucciones

1. En un plato de vidrio o bolsa pl  stica mezcle todos los ingredientes salvo los langostinos. Agregue los langostinos; d   varias vueltas para ba  ar bien. Deje marinar en el refrigerador por 1 a 2 horas.
2. Precaliente la parrilla en SEAR (sellar).
3. Quite los langostinos del adobo y desc  rtelo. Coloque los langostinos sobre la parrilla; tape.
4. Ase por 2 minutos; d   vuelta los langostinos. Asar durante 2 minutos o hasta que los langostinos se pongan rosados y opacos.

Porciones: 6



Grupo HB PS, S.A. de C.V.
Monte Elbruz 124-301
Colonia Palmitas, Delegación Miguel Hidalgo
C.P. 11560, México, Distrito Federal
01-800-71-16-100

PÓLIZA DE GARANTÍA

PRODUCTO:	MARCA:	MODELO:
Grupo HB PS, S.A. de C.V. cuenta con una Red de Centros de Servicio Autorizada, por favor consulte en la lista anexa el nombre y dirección de los establecimientos en la República Mexicana en donde usted podrá hacer efectiva la garantía, obtener partes, componentes, consumibles y accesorios; así como también obtener servicio para productos fuera de garantía. Para mayor información llame sin costo: Centro de Atención al consumidor: 01 800 71 16 100		
Grupo HB PS, S.A. de C.V. le otorga a partir de la fecha de compra: GARANTÍA DE 1 AÑO.		
COBERTURA		
<ul style="list-style-type: none">• Esta garantía ampara, todas las piezas y componentes del producto que resulten con defecto de fabricación incluyendo la mano de obra.• Grupo HB PS, S.A. de C.V. se obliga a reemplazar, reparar o reponer, cualquier pieza o componente defectuoso; proporcionar la mano de obra necesaria para su diagnóstico y reparación, todo lo anterior sin costo adicional para el consumidor.• Esta garantía incluye los gastos de transportación del producto que deriven de su cumplimiento dentro de su red de servicio.		
LIMITACIONES		
<ul style="list-style-type: none">• Esta garantía no ampara el reemplazo de piezas deterioradas por uso o por desgaste normal, como son: cuchillas, vasos, vasos, filtros, etc.• Grupo HB PS, S.A. de C.V. no se hace responsable por los accidentes producidos a consecuencia de una instalación eléctrica defectuosa, ausencia de toma de tierra, clavija de enchufe en mal estado, etc.		
EXCEPCIONES		
Esta garantía no será efectiva en los siguientes casos: <ul style="list-style-type: none">a) Cuando el producto se hubiese utilizado en condiciones distintas a las normales. (Uso industrial, semi-industrial o comercial.)b) Cuando el producto no hubiese sido operado de acuerdo con el instructivo de uso.c) Cuando el producto hubiese sido alterado o reparado por personas no autorizadas por Grupo HB PS, S.A. de C.V. el fabricante nacional, importador o comercializador responsable respectivo.d) Esta garantía pierde su validez si el producto es utilizado en un medio diferente a una vivienda unifamiliar o se somete a cualquier voltaje o forma de onda diferente a la especificada en la etiqueta de clasificación (ej., 120V ~ 60 Hz). El consumidor puede solicitar que se haga efectiva la garantía ante la propia casa comercial donde adquirió su producto, siempre y cuando Grupo HB PS, S.A. de C.V. no cuente con talleres de servicio.		

PROCEDIMIENTO PARA HACER EFECTIVA LA GARANTÍA

- Para hacer efectiva la garantía no deben exigirse mayores requisitos que la presentación del producto y la póliza correspondiente, debidamente sellada por el establecimiento que lo vendió.
- Para hacer efectiva la garantía, lleve su aparato al Centro de Servicio Autorizado más cercano a su domicilio (consulte la lista anexa).
- Si no existe Centro de Servicio Autorizado en su localidad llame a nuestro Centro de Atención al Consumidor para recibir instrucciones de como hacer efectiva su garantía.
- El tiempo de reparación, en ningún caso será mayor de 30 días naturales contados a partir de la fecha de recepción del producto en nuestros Centros de Servicio Autorizados.
- En caso de que el producto haya sido reparado o sometido a mantenimiento y el mismo presente deficiencias imputables al autor de la reparación o del mantenimiento dentro de los treinta días naturales posteriores a la entrega del producto al consumidor, éste tendrá derecho a que sea reparado o mantenido de nuevo sin costo alguno. Si el plazo de la garantía es superior a los treinta días naturales, se estará a dicho plazo.
- El tiempo que duren las reparaciones efectuadas al amparo de la garantía no es computable dentro del plazo de la misma. Cuando el bien haya sido reparado se iniciará la garantía respecto de las piezas repuestas y continuará con relación al resto. En el caso de reposición del bien deberá renovarse el plazo de la garantía.

DÍA__ MES__ AÑO__

Si desea hacer comentarios o sugerencias con respecto a nuestro servicio o tiene alguna queja derivada de la atención recibida en alguno de nuestros Centros de Servicio Autorizados, por favor dirigirse a:

GERENCIA INTERNACIONAL DE SERVICIO
01 800 71 16 100
Email: mexico.service@hamiltonbeach.com.mx

RED DE CENTROS DE SERVICIO AUTORIZADA GRUPO HB PS, S.A. DE C.V.

Distrito Federal

ELECTRODOMÉSTICOS

Av. Plutarco Elías Calles No. 1499
Zacahuiztco MEXICO 09490 D.F.
Tel: 01 55 5235 2323 • Fax: 01 55 5243 1397

CASA GARCIA

Av. Patriotismo No. 875-B
Mixcoac MEXICO 03910 D.F.
Tel: 01 55 5563 8723 • Fax: 01 55 5615 1856

Nuevo Leon

FERNANDO SEPULVEDA REFACCIONES

Ruperto Martínez No. 238 Ote.
Centro MONTERREY, 64000 N.L.
Tel: 01 81 8343 6700 • Fax: 01 81 8344 0486

Jalisco

SERVICIOS DE MANTENIMIENTO CASTILLO

Garibaldi No. 1450
Ladrón de Guevara
GUADALAJARA 44660 Jal.
Tel: 01 33 3825 3480 • Fax: 01 33 3826 1914

Chihuahua

DISTRIBUIDORA TURMIX

Av. Paseo Triunfo de la Rep. No. 5289 Local 2 A.
Int. Hipermart
Alamos de San Lorenzo
CD. JUAREZ 32340 Chih.
Tel: 01 656 617 8030 • Fax: 01 656 617 8030

Modelo:
25360

Tipo:
G45

Características Eléctricas:
120V~ 60Hz 1200W

Los modelos incluidos en el instructivo de Uso y Cuidado pueden ir seguidos o no por un sufijo correspondiente a una o varias letras del alfabeto y sus combinaciones, separadas o no por un espacio, coma, diagonal, o guión. Como ejemplos los sufijos pueden ser: "Y" y/o "MX" y/o "MXY" y/o "Z".

840222300

12/12