

# REPAIR SHEET

BRAND

**RYOBI**

DESCRIPTION

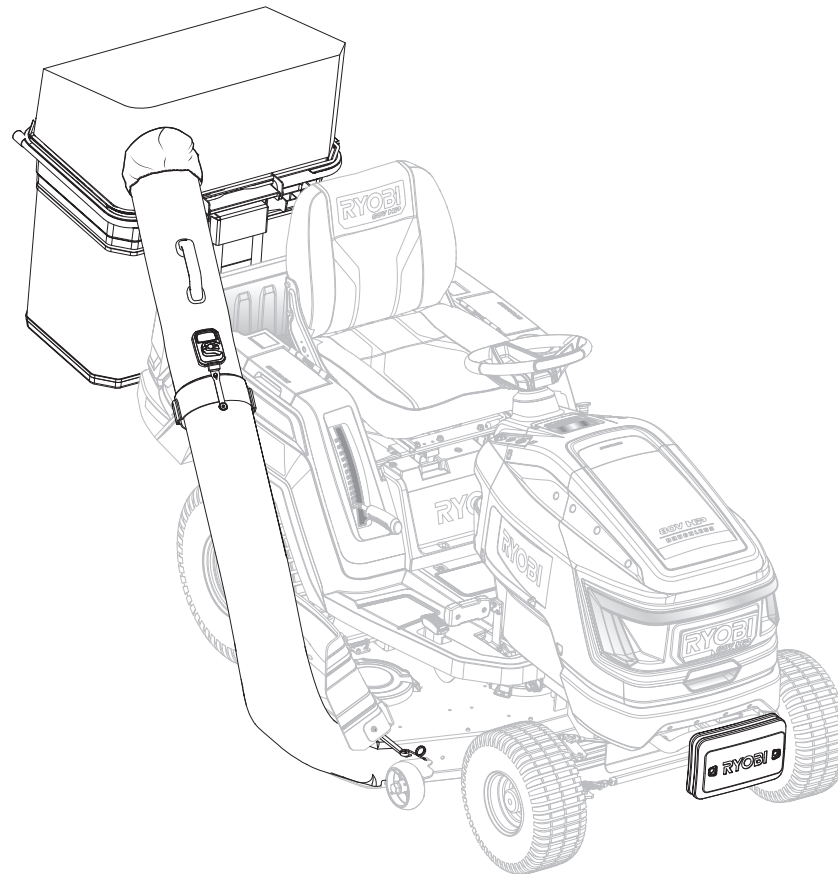
**46in. Bagging Kit**

MODEL NO.

**ACRM035**

MFG. NO.

**000996282**



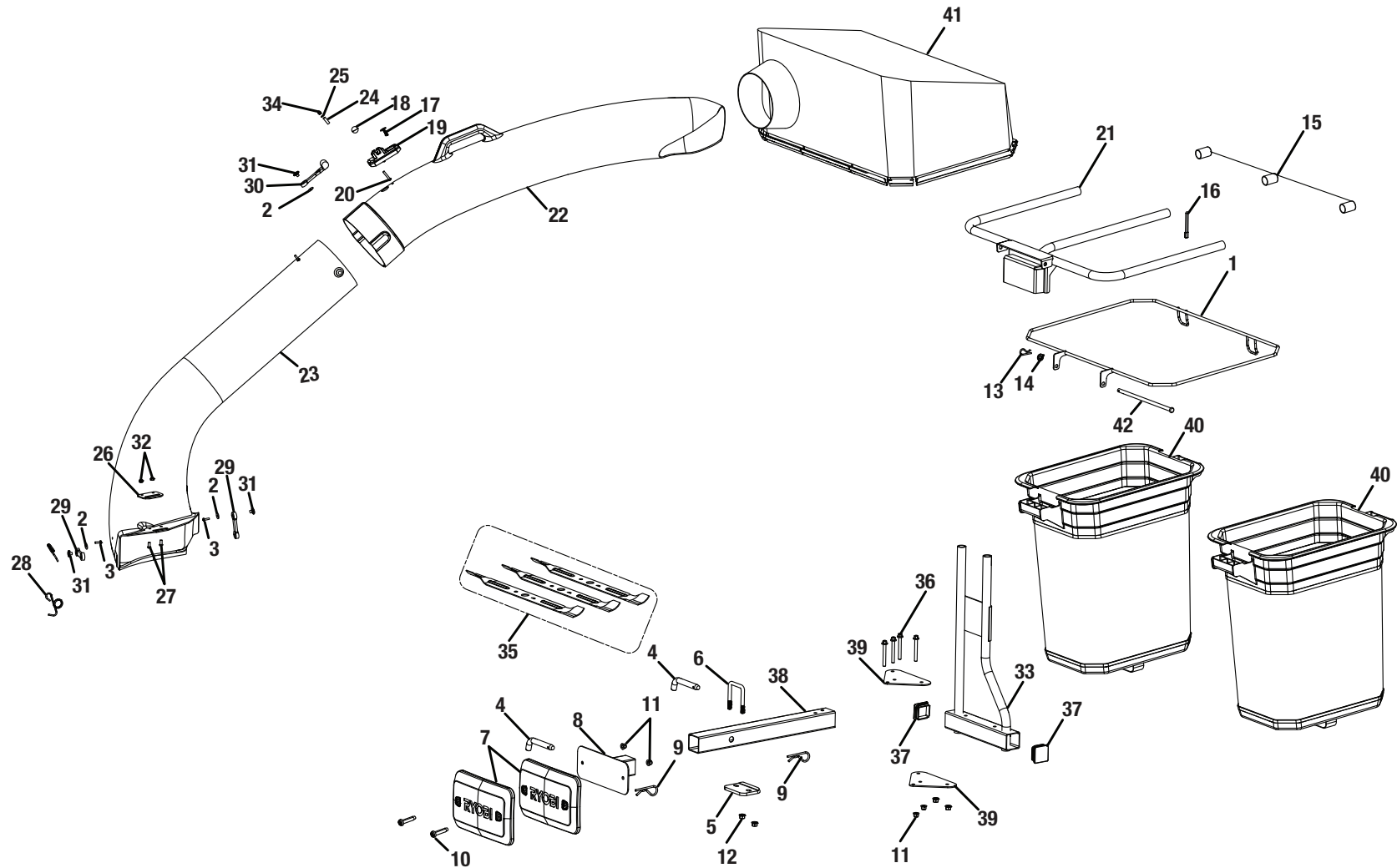
**TECHTRONIC INDUSTRIES POWER EQUIPMENT**

P.O. Box 1288, Anderson, SC 29622 ■ 1-800-525-2579 ■ [www.ryobitools.com](http://www.ryobitools.com)

2-22-24 (Rev:01)

*The model number and manufacturing location will be found on a label attached to the product. Always mention this information in all communications regarding this product and when ordering parts.*

# RYOBI ACRM035





# ACRM035

## PARTS LIST

| KEY NO. | PART NO.   | DESCRIPTION                            | QTY. |
|---------|------------|----------------------------------------|------|
| 1       | 659198002  | Upper Frame Bagger Attachment Assembly | 1    |
| 2       | 678587003  | Washer                                 | 4    |
| 3       | T662563001 | Screw (M5 x 16 mm)                     | 1    |
| 4       | 685078001  | Pin Rod                                | 2    |
| 5       | 657536002  | Hitch Tightener Plate                  | 1    |
| 6       | 685075001  | Hitch Tightener U-Rod                  | 1    |
| 7       | 647120001  | Counterweight                          | 2    |
| 8       | 657864001  | Front Counterweight Bracket            | 1    |
| 9       | 678238007  | Pin R-Clip                             | 2    |
| 10      | 663324001  | Screw (M8 x 58 mm)                     | 2    |
| 11      | 678774012  | Nut (M8 x 1.25)                        | 6    |
| 12      | T661716001 | Flange Nut (M10 x 1.5)                 | 2    |
| 13      | 696243001  | Bagger Cover Lock Pin                  | 1    |
| 14      | 636797001  | Washer (OD10.5 x ID20 x 3.0 mm)        | 1    |
| 15      | 518366001  | Drive Tube Cap                         | 3    |
| 16      | 565730001  | Rubber Band and Plastic Loop           | 1    |
| 17      | 660345010  | Screw (M5 x 14 mm)                     | 1    |
| 18      | 319767002  | Bagger Indicator Ball Assembly         | 1    |
| 19      | 319767003  | U Bagging Indicator Cover Assembly     | 1    |
| 20      | 662562001  | Screw (M5 x 14 mm)                     | 1    |
| 21      | 637937001  | Upper Attachment Bagger Assembly       | 1    |
| 22      | 581024001  | Extended Upper Chute                   | 1    |

| KEY NO. | PART NO.          | DESCRIPTION                        | QTY. |
|---------|-------------------|------------------------------------|------|
| 23      | 581011001         | Lower Chute                        | 1    |
| 24      | 637941001         | Riding Mower Bushing Bungie        | 1    |
| 25      | 638128014         | Washer (M5.3 x 10 mm x 1mm)        | 1    |
| 26      | 657536004         | Lower Chute Support Bracket        | 1    |
| 27      | 660169075         | Screw (M6 x 1 mm)                  | 2    |
| 28      | 696023001         | Bagger Latch Spring Kit            | 2    |
| 29      | 564312001         | Mulching Cover Rubber Strap        | 2    |
| 30      | 564313001         | Bagger Tube Connector Rubber Strap | 1    |
| 31      | 673645001         | Bungie Riding Mower Anchor         | 3    |
| 32      | 678460002         | Lock Nut (M6)                      | 2    |
| 33      | 685183001         | Upper Bagger Frame                 | 1    |
| 34      | 662555001         | Cap Nut (M5)                       | 1    |
| 35      | 682744002         | Deck Bagger Blade                  | 3    |
| 36      | 663505004         | Screw (M8 x 1.25 mm)               | 4    |
| 37      | 546321001         | End Cap                            | 1    |
| 38      | 684780001         | Front L Frame                      | 1    |
| 39      | 657536003         | Triangle Bracket                   | 2    |
| 40      | 312484001         | Grass Bag Assembly                 | 2    |
| 41      | 316279003         | Bagger Kit Top Cover Assembly      | 1    |
| 42      | 622101001         | Bagger Cover Hinge Pin             | 1    |
|         | <b>Not Shown:</b> |                                    |      |
|         | 999000201         | Operator's Manual                  |      |