

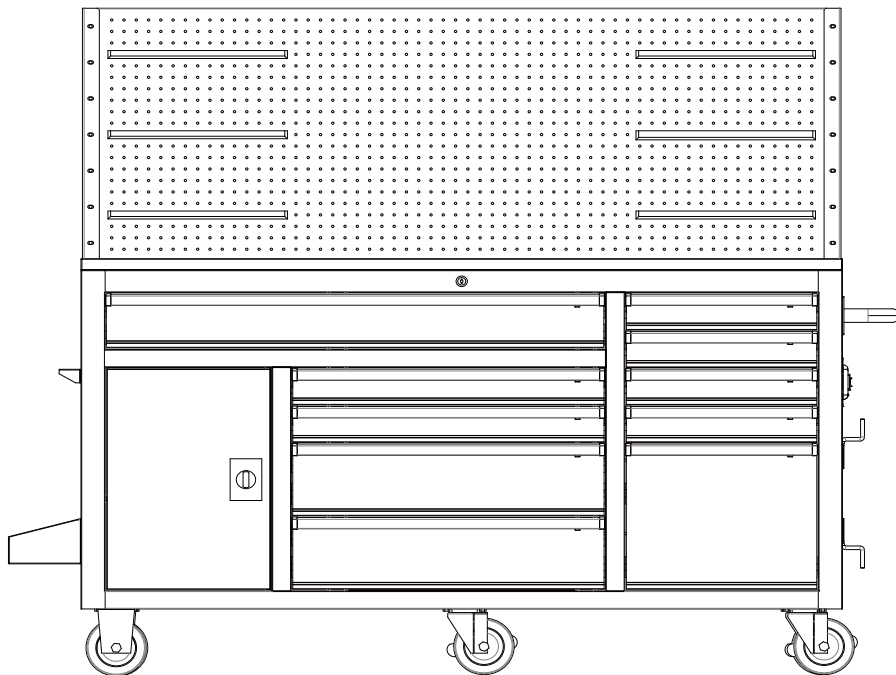


Fill in the following information and save this manual for future reference

Model #
Place of purchase
Date of purchase

Owner's Manual

Mobile Base: XTB6210B (10 Drawers)



SAFETY

SAFETY WARNINGS AND CAUTIONS:

- DO NOT stand on this product. You may fall which may cause personal injury.
- WEAR SAFETY GLASSES when removing or repositioning the slides. The tool could slip which may cause personal injury.
- When moving this product, do not pull it. Push the product to prevent personal injury.
- USE THE BRAKES when not moving this product. This will prevent the product from rolling, which may cause personal injury or product damage.
- BE CAREFUL when opening more than one drawer. The product may become unstable and tip, which may cause personal injury or product damage.
- DO NOT mount this product on a truck bed or any other moving object. This may cause personal injury or product damage.
- DO NOT step in the drawers. You may fall which may cause personal injury.
- Appropriately secure this product before moving it with a forklift.
- DO NOT tow with power equipment. The product could tip, which may cause personal injury or product damage.
- DO NOT alter this product in any manner. For example, do not weld external lockbars or attach electrical equipment. This may cause product damage or personal injury.
- Keep the product on level surfaces. The product may become unstable and tip if stored or moved on an un-level surface, which may cause personal injury or product damage.
- Lock the drawers and doors before moving this product. The drawers or doors could come open and make the product unstable and tip, which may cause personal injury or product damage.
- The maximum weight for each drawer should be no more than 100 pounds.
- The maximum product weight, including contents, should be no more than 2250 pounds.

CAUTION:

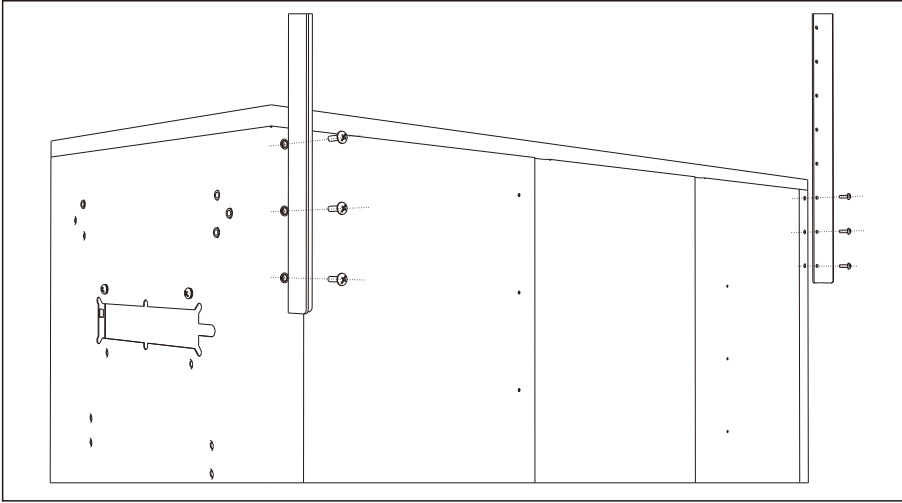
Read and follow all Safety Rules and Operating instructions before first use of this product
Notice: If there are any difference between the product and picture, pls take the product as real.

ASSEMBLY

INSTALLATION GUIDE FOR XTB6210B:

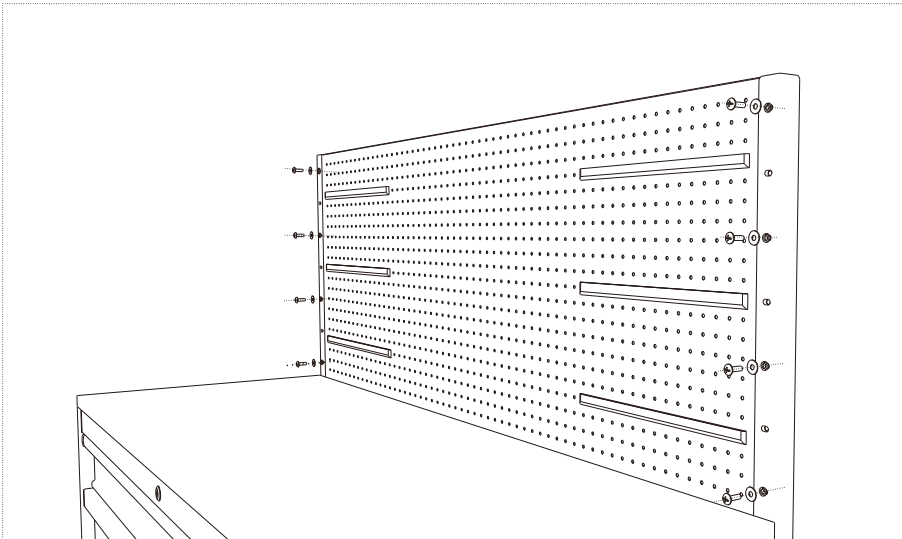
INSTALL TWO SUPPORTS FRAME.

- Fix the support frame with the screw(6x) onto the behind of the tool cabinet.



INSTALL PEGBOARD

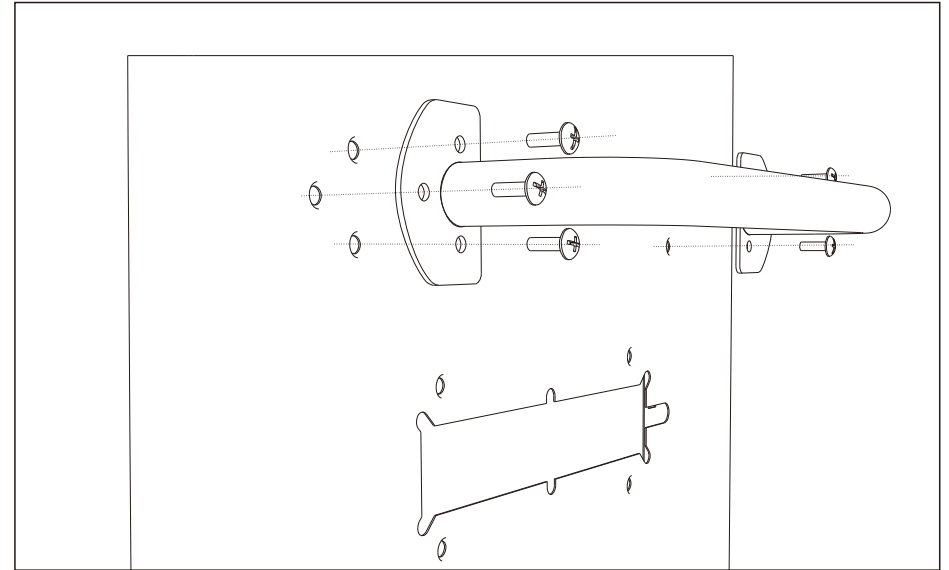
- Fix the pegboard with the screw(8x) onto the support frame.



INSTALLATION GUIDE FOR XTB6210B

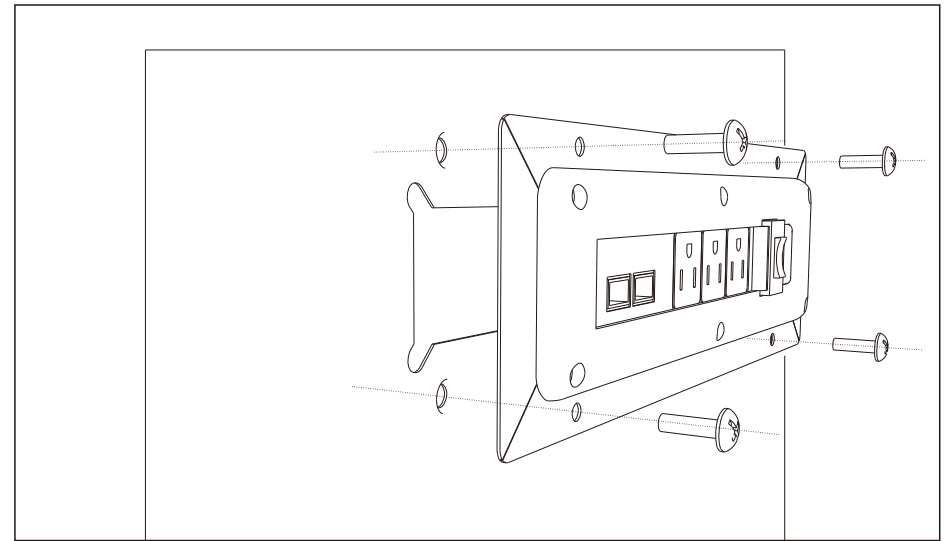
INSTALL SIDE HANDLE

- Fix the handle with the screw(6x) onto the right side of the tool cabinet.



INSTALL POWER STRIP

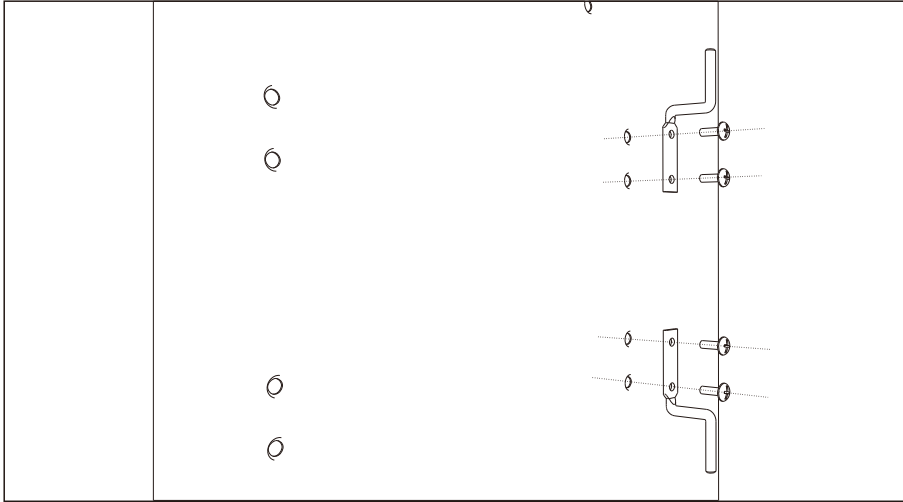
- Fix the power strip with the screw(4x) onto the right side of the tool cabinet.



INSTALLATION GUIDE FOR XTB6210B

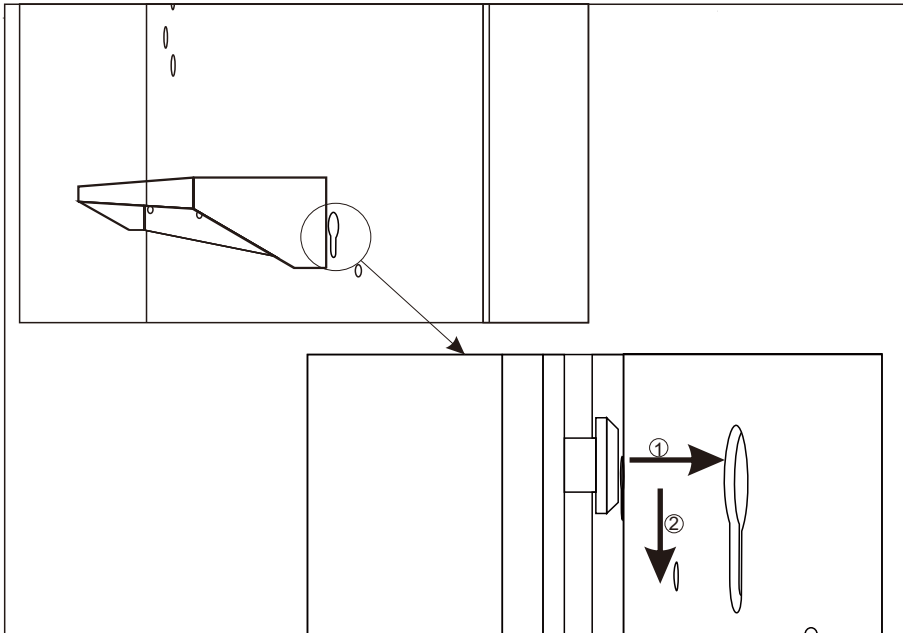
INSTALL TWO HOOKS

- Fix the two hooks with the screw(4x) onto the right side of the tool cabinet.



INSTALL SCREW DRIVER HOLDER

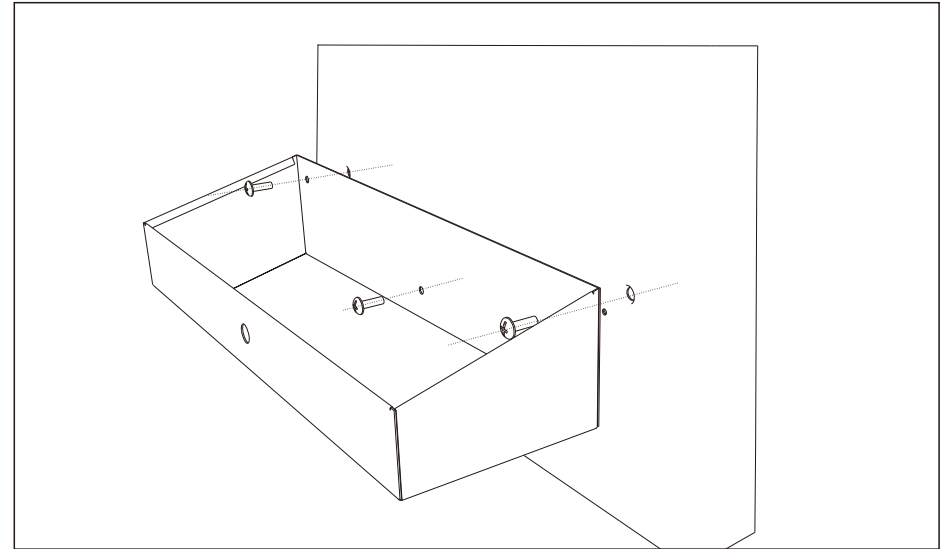
- Install the screw driver holder to left side of the tool cabinet.



INSTALLATION GUIDE FOR XTB6210B

INSTALL TRAY

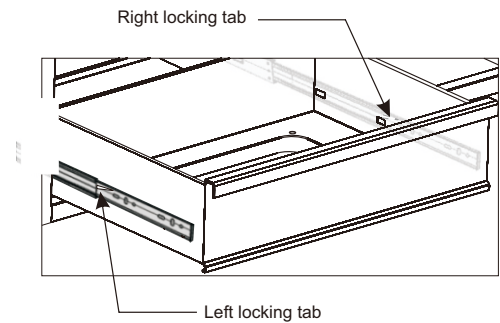
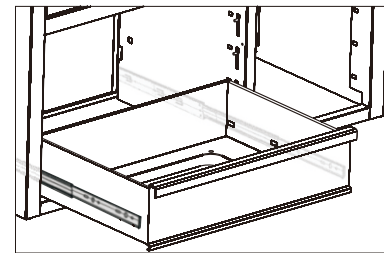
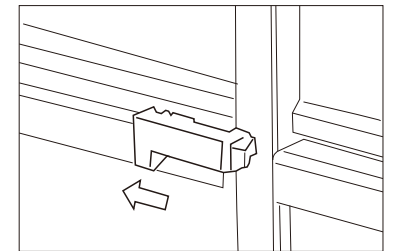
- Fix the tray with the screw(3x) onto the left side of the tool cabinet.



OPERATION

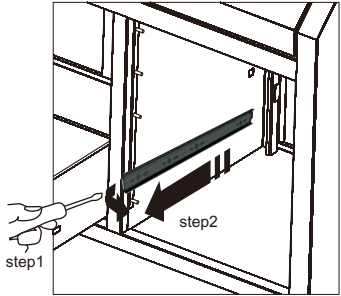
REMOVING AND INSTALLING DRAWERS:

- Press the drawer latch to left and open the drawer.
- Empty the drawer.
- Fully extend drawer.
- Left side: Push the locking tab down and hold.
- Right side: Pull the locking tab up and hold.
- Pull out the drawer to remove.
- To reinstall, push the drawer into the slides until the drawer stops.



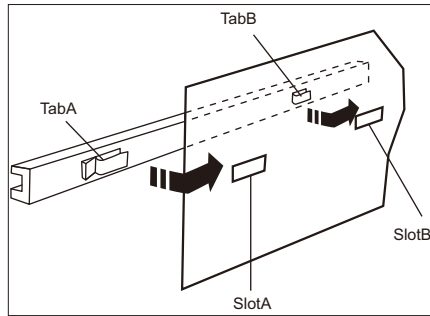
TO REMOVE THE SLIDE FROM THE UNIT

- firstly remove the drawer (follow the drawer removal procedure).
- Lift the front of the slide set using a screwdriver to release the hooks.



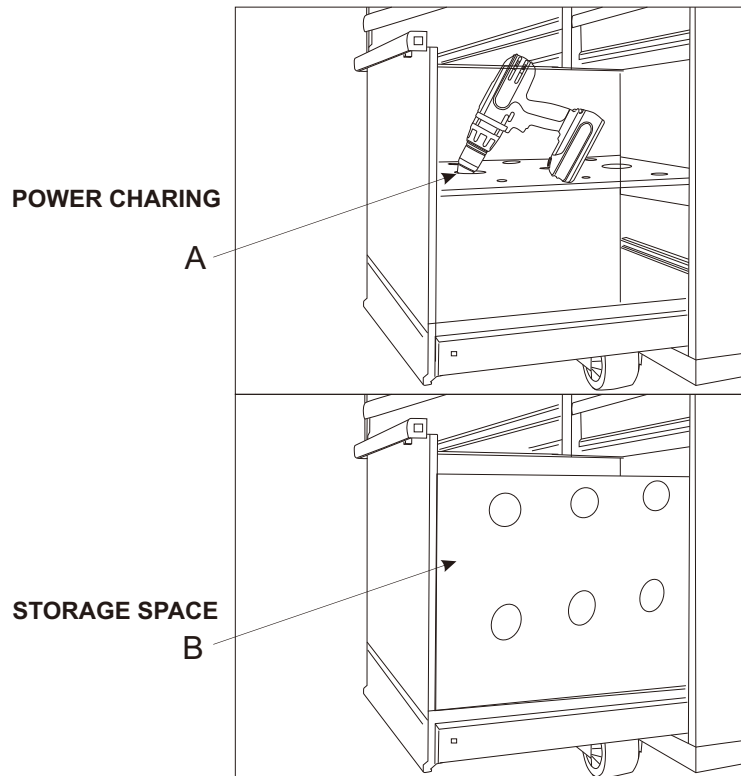
TO REINSTALL THE SLIDE

- Place the slide in the appropriate position pull the slide and engage Tab "B" into Slot "B" Tab "A" into Slot "A"



A: To take the shelf horizontally to put charging equipment

B: To take the shelf vertically to become storage space



MAINTENANCE

- Automobile waxes will protect and preserve the finish of your storage cabinet. Using the standard application instructions, apply wax regularly to your cabinet to protect against scratching.
- Use a soft, clean cloth and standard cleaning solutions to remove grease, dirt or oil. Do not use solvents or flammable cleaning liquids.
- Lubricate slides with petroleum jelly twice yearly.
- Lubricate castors with high quality grease annually.
- Use graphite to lubricate lock annually.
- Drawer fronts, trim and other surfaces may be cleaned with a mild detergent and water.

Distributed by: XDD products (USA), LLC
Manufactured by: Suzhou Xindadi Hardware Co., Ltd
Made in china