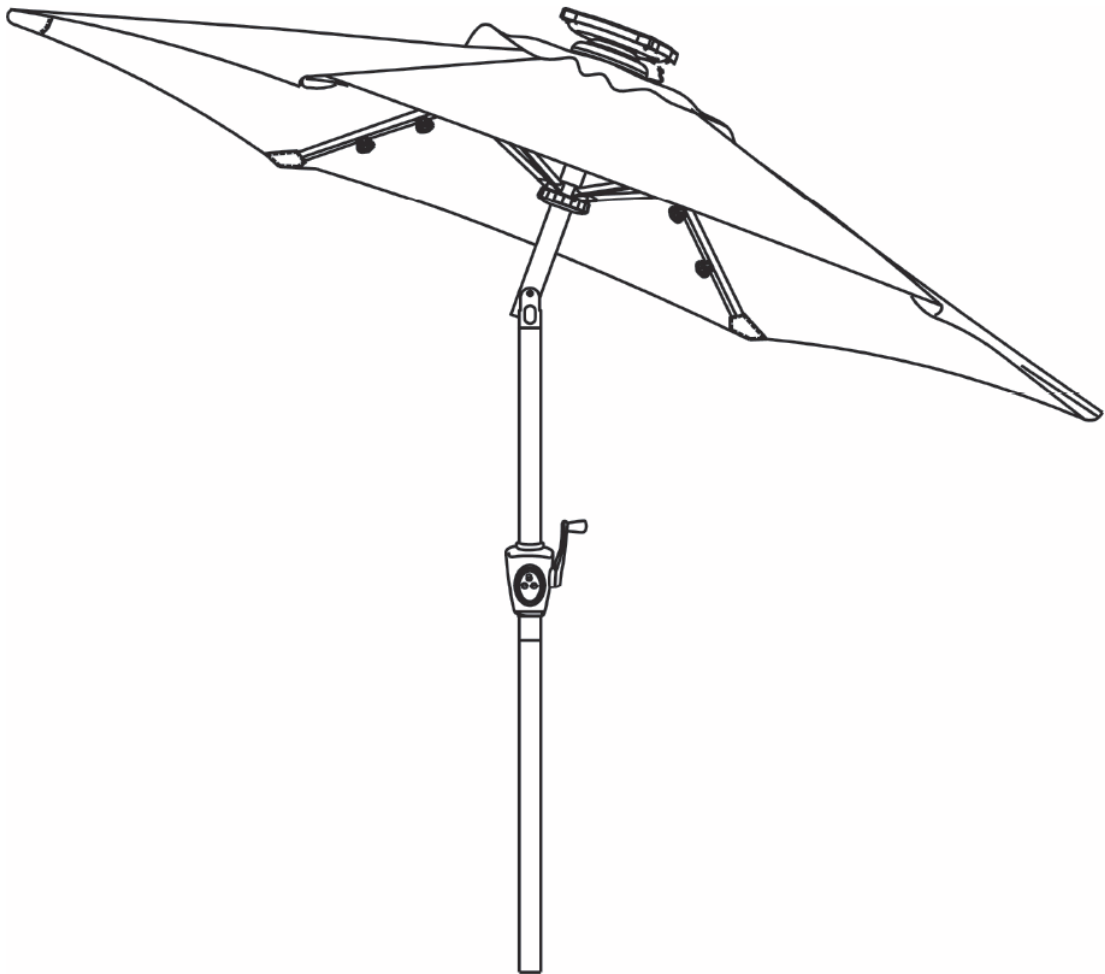


9' Solar Led Market Umbrella with Spunpoly UV Fabric



Professional Service Team: help@junchengleisure.com
If need any other assistance, Please feel free to contact us.
We are always here at your service :)

PACKAGE CONTENTS

A - (1) Canopy/Mainframe
(1) Crank Handle,

A



B - (1) Bottom Pole,

B



C - (1) Solar Panel,

C



SAFETY INFORMATION

Please read and understand this entire manual before attempting to assemble or install the product.

- Assemble on a soft, non-abrasive surface.
- Two adults may be required for safe assembly.
- Do not leave the umbrella open during high winds. Fully close the umbrella during windy conditions.
- When not in use, keep the umbrella closed.
- A enough weight umbrella base is a must when using this umbrella.

PREPARATION

Before beginning assembly of product, make sure all parts are present. Compare parts with package contents list. If any part is missing or damaged, do not attempt to assemble the product.

Estimated Assembly Time: 3 minutes.

No tools required for assembly.

Thank you!

ASSEMBLY INSTRUCTIONS

Set Up:

Carefully remove umbrella from box. Insert bottom pole into canopy/mainframe pole. Line up button with hole and snap into place. Insert assembled umbrella into weighted base (sold separately).

Opening & Tilting Umbrella:

Turn the umbrella upright and crank the handle clockwise to open umbrella to its fully open position (Figure 1) DO NOT over crank. Push the button on the tilt mechanism to tilt the umbrella canopy to left or right (Figure 2)

Closing Umbrella:

Push the button on the tilt mechanism once again & bring the umbrella back to a horizontal position. Then turn crank handle in counter clockwise direction to close the umbrella.

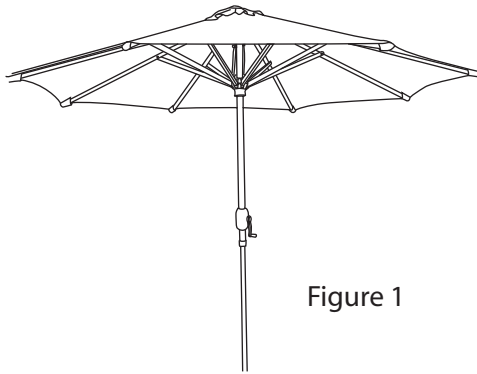


Figure 1

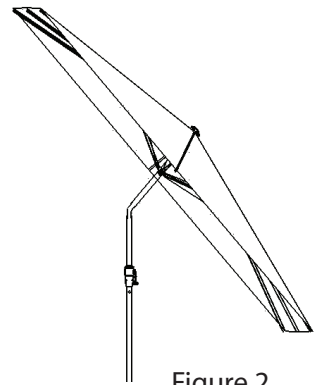
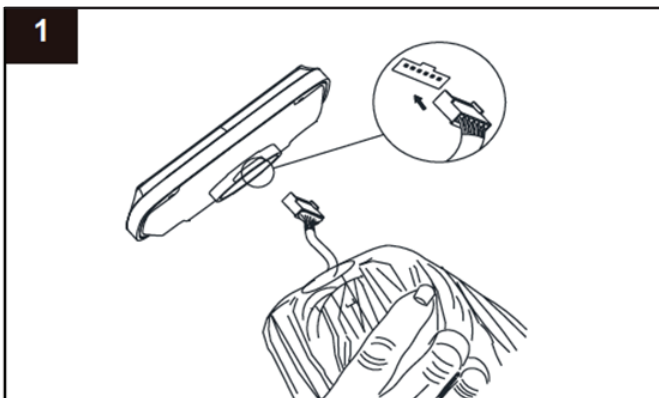


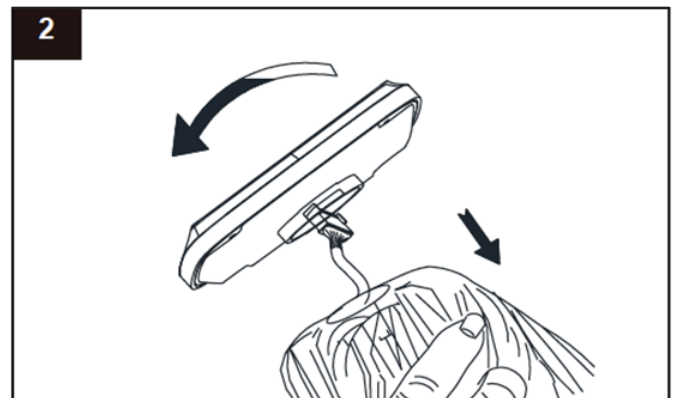
Figure 2

Operating Solar LED Lights:

Put the umbrella under the sun for 8 hours to fully charge the solar battery. Turn on the lights by using the switch near the crank house. The fully charged battery can last up to approx. 5 hours. Turn off the lights, using the switch, when not using the umbrella.



Step 1: Insert the plug into the socket under the solar panel.



Step 2: Put the solar panel on the top of umbrella and hide the plug and wire inside the groove at the top of umbrella. Then turn the solar panel clockwise. Do not over tighten.

CARE AND MAINTENANCE

Clean with mild soap and lukewarm water, rinse, and air dry.

When not in use, close and cover umbrella with a protective cover (not included).

Allow a wet canopy to dry while in open position.

Store the product indoors in a cool, dry place.