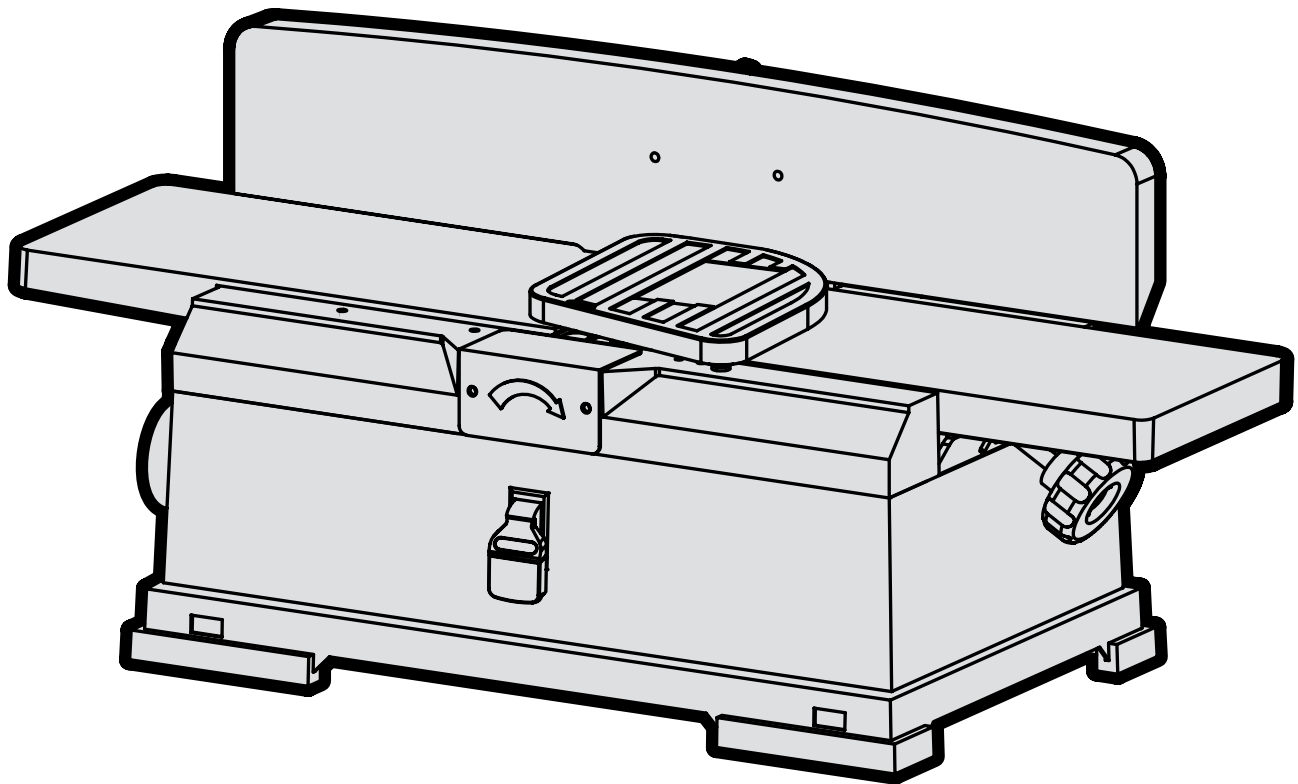




MODEL JT6561

6-INCH BENCHTOP JOINTER

Instruction Manual



NEED HELP? CONTACT US!

Have product questions? Need technical support? Please feel free to contact us:



1-800-232-1195 (M-F 8AM-5PM CST)



TECHSUPPORT@WENPRODUCTS.COM

IMPORTANT: Your new tool has been engineered and manufactured to WEN's highest standards for dependability, ease of operation, and operator safety. When properly cared for, this product will supply you years of rugged, trouble-free performance. Pay close attention to the rules for safe operation, warnings, and cautions. If you use your tool properly and for its intended purpose, you will enjoy years of safe, reliable service.

For replacement parts and the most up-to-date instruction manuals, visit ***WENPRODUCTS.COM***

CONTENTS


WELCOME	3
Introduction	3
Specifications.....	3
SAFETY	4
General Safety Rules	4
Jointer Safety Warnings.....	6
Electrical Information.....	8
BEFORE OPERATING	9
Unpacking & Packing List	9
Know Your Jointer	10
Assembly & Adjustments.....	10
OPERATION & MAINTENANCE	13
Operation	13
Maintenance.....	17
Troubleshooting Guide.....	19
Exploded View & Parts List.....	20
Warranty Statement	23

To purchase accessories for your tool, visit ***WENPRODUCTS.COM***

Replacement Blades (Part No. 6560-083)

INTRODUCTION

Thanks for purchasing the WEN Benchtop Jointer. We know you are excited to put your tool to work, but first, please take a moment to read through the manual. Safe operation of this tool requires that you read and understand this operator's manual and all the labels affixed to the tool. This manual provides information regarding potential safety concerns, as well as helpful assembly and operating instructions for your tool.

 Indicates danger, warning, or caution. The safety symbols and the explanations with them deserve your careful attention and understanding. Always follow the safety precautions to reduce the risk of fire, electric shock or personal injury. However, please note that these instructions and warnings are not substitutes for proper accident prevention measures.

NOTE: The following safety information is not meant to cover all possible conditions and situations that may occur. WEN reserves the right to change this product and specifications at any time without prior notice.

At WEN, we are continuously improving our products. If you find that your tool does not exactly match this manual, please visit wenproducts.com for the most up-to-date manual or contact our customer service at **1-800-232-1195**.

Keep this manual available to all users during the entire life of the tool and review it frequently to maximize safety for both yourself and others.

SPECIFICATIONS

Model Number	JT6561
Motor	120V, 60 Hz, 10A
Cutterhead Rotation Speed	10,000 RPM
Cuts Per Minute	20,000 CPM
Max Cutting Width	6-1/8 in.
Max Cutting Depth	1/8 in.
Recommended Cutting Depth	1/32 in.
Number of Blades	2
Table Size	28-5/8 in. x 6-1/4 in.
Fence Size	22-3/4 in. x 4 in.
Dust Port Diameter	2-3/8 in. (fits 2-1/2 in. dust hose)
Fence Bevel	45° inward & outward
Product Dimensions	28-1/2 in. x 20 in. x 14 in.
Weight	66 lbs

GENERAL SAFETY RULES

 **WARNING!** Read all safety warnings and all instructions. Failure to follow the warnings and instructions may result in electric shock, fire and/or serious injury.

Safety is a combination of common sense, staying alert and knowing how your item works. The term “power tool” in the warnings refers to your mains-operated (corded) power tool or battery-operated (cordless) power tool.

SAVE THESE SAFETY INSTRUCTIONS.

WORK AREA SAFETY

- 1. Keep work area clean and well lit.** Cluttered or dark areas invite accidents.
- 2. Do not operate power tools in explosive atmospheres, such as in the presence of flammable liquids, gases or dust.** Power tools create sparks which may ignite the dust or fumes.
- 3. Keep children and bystanders away while operating a power tool.** Distractions can cause you to lose control.

ELECTRICAL SAFETY

- 1. Power tool plugs must match the outlet. Never modify the plug in any way. Do not use any adapter plugs with earthed (grounded) power tools.** Unmodified plugs and matching outlets will reduce risk of electric shock.
- 2. Avoid body contact with earthed or grounded surfaces such as pipes, radiators, ranges and refrigerators.** There is an increased risk of electric shock if your body is earthed or grounded.
- 3. Do not expose power tools to rain or wet conditions.** Water entering a power tool will increase the risk of electric shock.
- 4. Do not abuse the cord. Never use the cord for carrying, pulling or unplugging the power tool. Keep cord away from heat, oil, sharp edges or moving parts.** Damaged or entangled cords increase the risk of electric shock.
- 5. When operating a power tool outdoors, use an extension cord suitable for outdoor use.** Use of a cord suitable for outdoor use reduces the risk of electric shock.

- 6. If operating a power tool in a damp location is unavoidable, use a ground fault circuit interrupter (GFCI) protected supply.** Use of a GFCI reduces the risk of electric shock.

PERSONAL SAFETY

- 1. Stay alert, watch what you are doing and use common sense when operating a power tool. Do not use a power tool while you are tired or under the influence of drugs, alcohol or medication.** A moment of inattention while operating power tools may result in serious personal injury.
- 2. Use personal protective equipment. Always wear eye protection.** Protective equipment such as a respiratory mask, non-skid safety shoes and hearing protection used for appropriate conditions will reduce the risk of personal injury.
- 3. Prevent unintentional starting. Ensure the switch is in the off-position before connecting to power source and/or battery pack, picking up or carrying the tool.** Carrying power tools with your finger on the switch or energizing power tools that have the switch on invites accidents.
- 4. Remove any adjusting key or wrench before turning the power tool on.** A wrench or a key left attached to a rotating part of the power tool may result in personal injury.
- 5. Do not overreach. Keep proper footing and balance at all times.** This enables better control of the power tool in unexpected situations.
- 6. Dress properly. Do not wear loose clothing or jewelry. Keep your hair and clothing away from moving parts.** Loose clothes, jewelry or long hair can be caught in moving parts.

GENERAL SAFETY RULES

⚠ WARNING! Read all safety warnings and all instructions. Failure to follow the warnings and instructions may result in electric shock, fire and/or serious injury.

Safety is a combination of common sense, staying alert and knowing how your item works. The term “power tool” in the warnings refers to your mains-operated (corded) power tool or battery-operated (cordless) power tool.

SAVE THESE SAFETY INSTRUCTIONS.

7. If devices are provided for the connection of dust extraction and collection facilities, ensure these are connected and properly used. Use of dust collection can reduce dust-related hazards.

POWER TOOL USE AND CARE

1. Do not force the power tool. Use the correct power tool for your application. The correct power tool will do the job better and safer at the rate for which it was designed.

2. Do not use the power tool if the switch does not turn it on and off. Any power tool that cannot be controlled with the switch is dangerous and must be repaired.

3. Disconnect the plug from the power source and/or the battery pack from the power tool before making any adjustments, changing accessories, or storing power tools. Such preventive safety measures reduce the risk of starting the power tool accidentally.

4. Store idle power tools out of the reach of children and do not allow persons unfamiliar with the power tool or these instructions to operate the power tool. Power tools are dangerous in the hands of untrained users.

5. Maintain power tools. Check for misalignment or binding of moving parts, breakage of parts and any other condition that may affect the power tool's operation. If damaged, have the power tool repaired before use. Many accidents are caused by poorly maintained power tools.

6. Keep cutting tools sharp and clean. Properly maintained cutting tools with sharp cutting edges are less likely to bind and are easier to control.

7. Use the power tool, accessories and tool bits, etc. in accordance with these instructions, taking into account the working conditions and the work to be performed. Use of the power tool for operations different from those intended could result in a hazardous situation.

8. Use clamps to secure your workpiece to a stable surface. Holding a workpiece by hand or using your body to support it may lead to loss of control.

9. KEEP GUARDS IN PLACE and in working order.

SERVICE

1. Have your power tool serviced by a qualified repair person using only identical replacement parts. This will ensure that the safety of the power tool is maintained.

CALIFORNIA PROPOSITION 65 WARNING

Some dust created by power sanding, sawing, grinding, drilling, and other construction activities may contain chemicals, including lead, known to the State of California to cause cancer, birth defects, or other reproductive harm. Wash hands after handling. Some examples of these chemicals are:

- Lead from lead-based paints.
- Crystalline silica from bricks, cement, and other masonry products.
- Arsenic and chromium from chemically treated lumber.

Your risk from these exposures varies depending on how often you do this type of work. To reduce your exposure to these chemicals, work in a well-ventilated area with approved safety equipment such as dust masks specially designed to filter out microscopic particles.

JOINTER SAFETY WARNINGS

⚠ WARNING! Do not let comfort or familiarity with the product replace strict adherence to product safety rules. Failure to follow the safety instructions may result in serious personal injury.

JOINTER SAFETY

1. TOOL PURPOSE

This jointer is designed for creating flat surfaces on wood or wood-like products only. Smoothing other materials could result in fire, injury, or damage to the workpiece. Using the machine for any other purpose for which it is not designed may result in serious injuries, machine damage and voiding of the warranty.

2. MACHINE MOUNTING

For the operator's safety, the jointer must be securely mounted onto a flat and stable surface or stand.

3. PERSONAL SAFETY

- Always wear ANSI Z87.1-approved glasses with side shields, hearing protection, and a dust mask.
- Do not wear loose clothing or jewelry, as they might get drawn in by the tool. Tie back long hair.
- **DO NOT** wear gloves while operating this machine.

4. ELECTRIC CORDS

Keep cords away from heat, oil, sharp edges, and moving parts of the tool. Have an electrician replace or repair damaged or worn cords immediately.

5. TOOL & ACCESSORIES INSPECTION

Before operation, check the tool and accessories for any damage or missing parts. Do not use the tool if any part is missing or damaged. Make sure all adjustments are correct and all connections are tight. Keep all guards in place. Make sure all moving parts are free from interference.

6. JOINTER ACCESSORIES

- Do not use blades, or any accessories that are damaged or worn. Replace blades as they become damaged or dull.
- Make sure all blades and accessories are sharp enough for the task at hand before using them.
- Make sure blades are aligned and properly attached to the cutterhead before using your planer.
- Always turn off and unplug the unit before doing any cleaning or maintenance. Use a brush or compressed air to remove chips or debris. Never use your hands to remove excess material and debris.

7. Allow the jointer to come to full speed before using the machine.

8. WORKPIECE REQUIREMENTS

Check the workpiece carefully for splits, knots, nails, or other obstructions. These types of blemishes may cause a safety risk during smoothing.

9. USE HIGH QUALITY LUMBER

Blades last longer and cuts are smoother with higher quality wood.

10. **DO NOT** joint material shorter than 8-1/8", narrower than 3/4", or thinner than 1/4". Never make a jointing cut deeper than 1/8". Use a push block or push stick for jointing material narrower or thinner than 3".

11. PREVENTING ACCIDENTAL STARTING

Make sure the power switch is in the OFF position prior to plugging in the machine. Always make sure the power switch is in the OFF position and the machine is unplugged when doing any cleaning, assembly, setup operations, or when not in use.

12. **SUPPORT THE WORKPIECE** adequately at all times during operation; maintain control of the workpiece.

13. **DO NOT** back workpiece toward the infeed table.

14. If gluing a workpiece, always use a high quality glue that meets the needs of the particular workpiece.


15. Take precautions against **KICKBACK**. **DO NOT** permit anyone to stand or cross in line of the cutterhead's rotation. Kickback or thrown debris will travel in this direction.

16. Do not operate this tool until it is completely assembled and installed according to the instructions.

17. Remove scrap pieces and other objects from the table and work area before turning **ON** the jointer.

18. Do not touch moving pieces. Keep hands away from all moving parts and cutting surfaces.

JOINTER SAFETY WARNINGS

 **WARNING!** Do not let comfort or familiarity with the product replace strict adherence to product safety rules. Failure to follow the safety instructions may result in serious personal injury.

19. Never perform layout, assembly or set-up work on the table while the jointer is operating.

20. Always turn off and unplug the machine before cleaning, making adjustments or changing attachments. Accidental start-ups may occur if the tool is plugged in during an accessory change or adjustment.

21. CLEANING

Never use solvents to clean plastic parts. Solvents could dissolve or otherwise damage the material. Use only a soft damp cloth to clean plastic parts.

22. REPLACEMENTS

Should any component of your jointer be missing/damaged or fail in any way, shut off the switch and remove the plug from power supply outlet. Replace the missing, damaged, or failed parts using only identical replacement parts before resuming operation.

These safety instructions can't possibly warn of every scenario that may arise with this tool, always make sure to stay alert and use common sense during operation.

ELECTRICAL INFORMATION

GROUNDING INSTRUCTIONS

In the event of a malfunction or breakdown, grounding provides the path of least resistance for an electric current and reduces the risk of electric shock. This tool is equipped with an electric cord that has an equipment grounding conductor and a grounding plug. The plug **MUST** be plugged into a matching outlet that is properly installed and grounded in accordance with ALL local codes and ordinances.

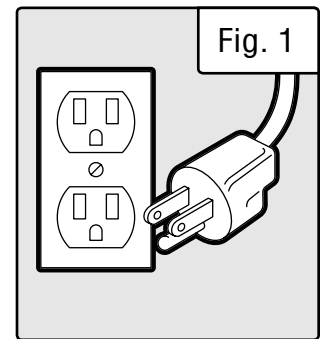
1. Do not modify the plug provided. If it will not fit the outlet, have the proper outlet installed by a licensed electrician.

2. Improper connection of the equipment grounding conductor can result in electric shock. The conductor with the green insulation (with or without yellow stripes) is the equipment grounding conductor. If repair or replacement of the electric cord or plug is necessary, **DO NOT** connect the equipment grounding conductor to a live terminal.

3. Check with a licensed electrician or service personnel if you do not completely understand the grounding instructions or whether the tool is properly grounded.

4. Use only three-wire extension cords that have three-pronged plugs and outlets that accept the tool's plug. Repair or replace a damaged or worn cord immediately.

CAUTION! In all cases, make certain the outlet in question is properly grounded. If you are not sure, have a licensed electrician check the outlet.



GUIDELINES AND RECOMMENDATIONS FOR EXTENSION CORDS

When using an extension cord, be sure to use one heavy enough to carry the current your product will draw. An undersized cord will cause a drop in line voltage resulting in loss of power and overheating. The table below shows the correct size to be used according to cord length and ampere rating. When in doubt, use a heavier cord. The smaller the gauge number, the heavier the cord.

AMPERAGE	REQUIRED GAUGE FOR EXTENSION CORDS			
	25 ft.	50 ft.	100 ft.	150 ft.
10A	14 gauge	12 gauge	10 gauge	8 gauge

1. Examine extension cord before use. Make sure your extension cord is properly wired and in good condition. Always replace a damaged extension cord or have it repaired by a qualified person before using it.

2. Do not abuse extension cord. Do not pull on cord to disconnect from receptacle; always disconnect by pulling on plug. Disconnect the extension cord from the receptacle before disconnecting the product from the extension cord. Protect your extension cords from sharp objects, excessive heat and damp/wet areas.

3. Use a separate electrical circuit for your tool. This circuit must not be less than a 12-gauge wire and should be protected with a 15A time-delayed fuse. Before connecting the motor to the power line, make sure the switch is in the OFF position and the electric current is rated the same as the current stamped on the motor nameplate. Running at a lower voltage will damage the motor.

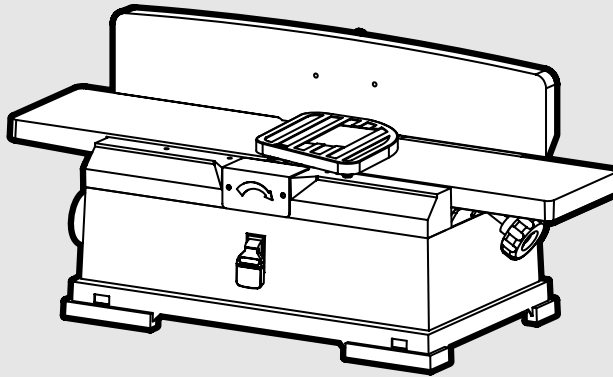
UNPACKING & PACKING LIST

UNPACKING

With the help of a friend or trustworthy foe, such as one of your in-laws, carefully remove the jointer from the packaging and place it on a sturdy, flat surface. Make sure to take out all contents and accessories. Do not discard the packaging until everything is removed. Check the packing list below to make sure you have all of the parts and accessories. If any part is missing or broken, please contact customer service at **1-800-232-1195** (M-F 8-5 CST), or email techsupport@wenproducts.com.

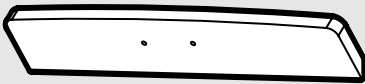
PACKING LIST

Components

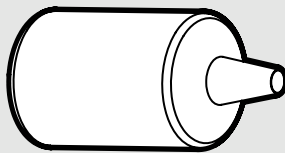


Jointer

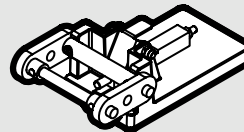
Accessories



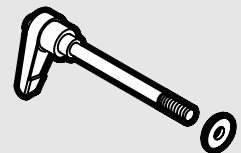
Fence



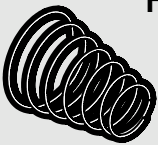
Filter Bag



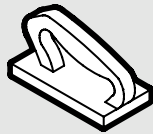
Fence Bracket Assembly



Fence Bevel Handle with Spacer



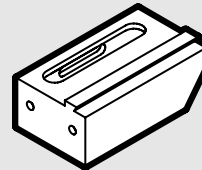
Spring



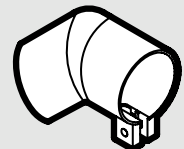
Push Block



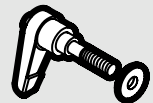
Push Stick



Fence Support



Dust Chute



Fence Sliding Handle with Spacer



Locking Plate Assembly

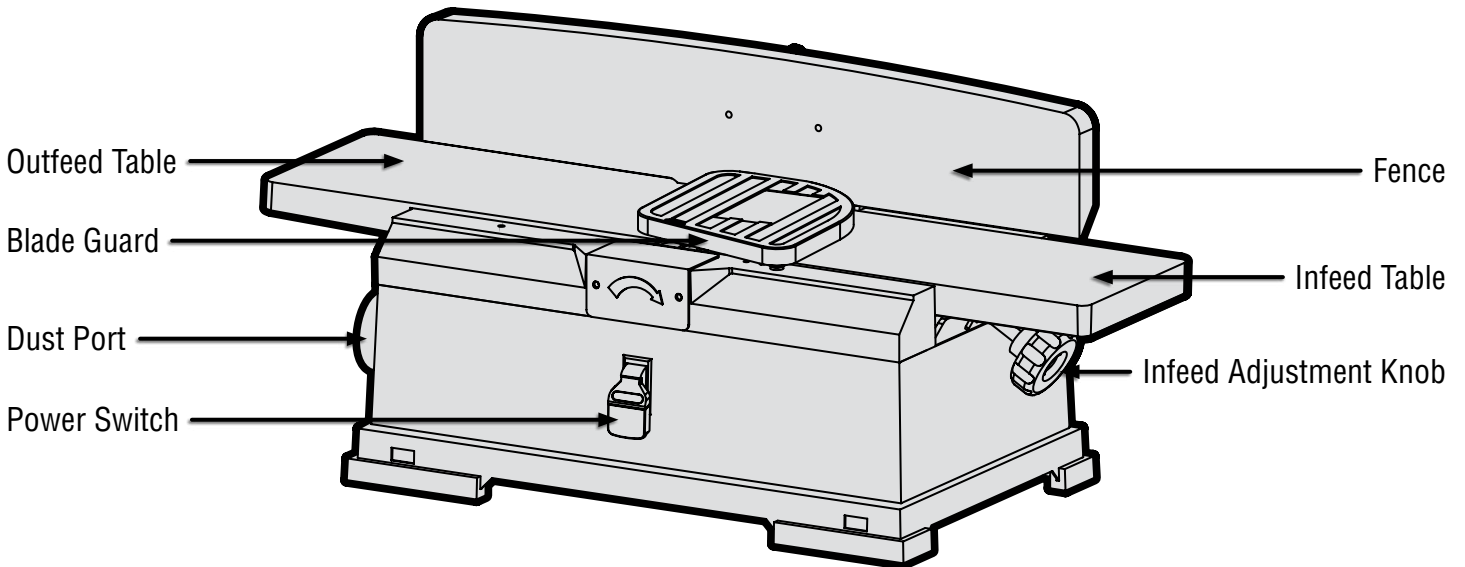
HARDWARE BAG

- M6x20 Socket Head Bolts (2)
- 3mm, 4mm, and 5mm Hex Wrenches

KNOW YOUR JOINTER

TOOL PURPOSE

Resurface boards, flatten workpieces, and much more with your WEN Jointer. Refer to the diagram below to become familiarized with the parts and controls of your jointer.



NOTE: A protective coating of lubricating oil has been applied at the factory to guard against rust. Wipe down all components thoroughly. Apply a light coat of good-quality paste wax to the table and fence to protect the surfaces and make boards slide smoothly.

ASSEMBLY & ADJUSTMENTS

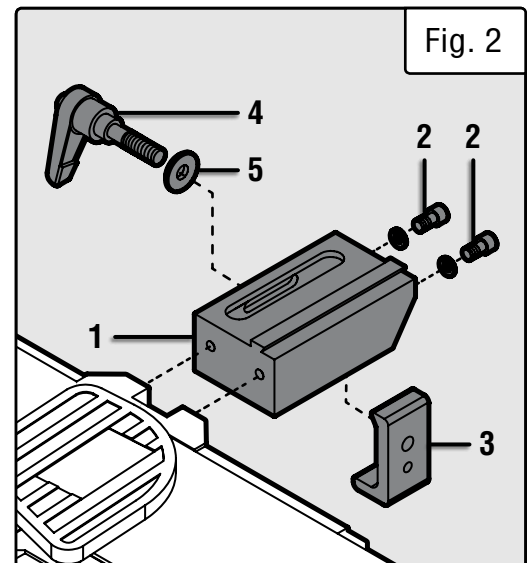
ATTACH THE FENCE SUPPORT ASSEMBLY

1. Attach the fence support (Fig. 2 - 1) to the jointer with the socket head bolts and lock washers (Fig. 2 - 2).

2. Insert the locking plate assembly (Fig. 2 - 3) into the support. Position the plate so that the upper surface of the lower lip is against the bottom edge of the support. The dovetail at the top of the plate should protrude through the slot in the fence support.

3. Secure the plate in position with the fence sliding handle (Fig. 2 - 4) and the spacer (Fig. 2 - 5).

NOTE: The fence sliding handle (Fig. 2 - 4) and fence bevel handle (Fig. 3 - 5) are spring-loaded and can be re-positioned as need be. Pull out on the handle, re-position it, and let it spring back in place.



ASSEMBLY & ADJUSTMENTS

ATTACH THE FENCE & FENCE BRACKET

1. Attach the fence (Fig. 3 - 1) to the fence bracket assembly (Fig. 3 - 2) with the two included socket head bolts (Fig. 3 - 3).

2. Slide the fence and bracket assembly onto the dovetails of the support and the locking plate (Fig. 3 - 4).

NOTE: You may need to loosen the fence sliding handle (Fig. 2 - 4) in order to align the dovetails.

3. Continue to slide the fence forward so that the fence is over the jointer's table and the blade guard (Fig. 3 - 6) rests against the fence. The entire width of the cutterhead should still be covered by the blade guard. Secure the bracket in position by tightening the fence sliding handle (Fig. 2 - 4).

4. Insert the fence bevel handle (Fig. 3 - 5) with a washer through the hole in the left link. Tighten it into the threads of the hole in the right link.

5. Make sure the limit plate (Fig. 4 - 1) is resting in the slot of the block (Fig. 4 - 2). Position the fence against the bolt (Fig. 4 - 3) and lock the fence in position with the fence bevel handle (Fig. 3 - 5).

SQUARE THE FENCE

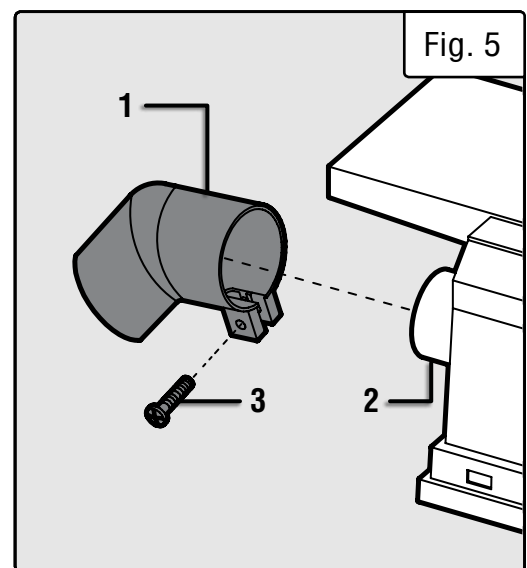
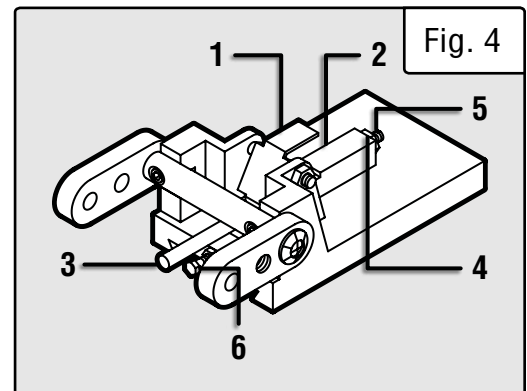
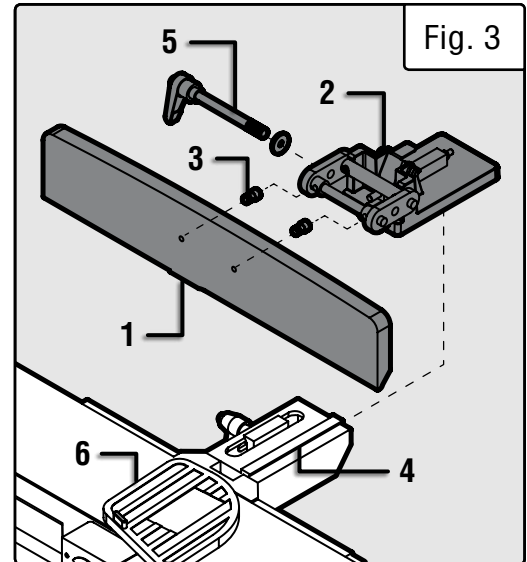
1. Place a combination square (not included) against the face of the fence and the table surface. The fence and table must be at a 90° angle to each other. If not, loosen the fence bevel handle (Fig. 3 - 5) and the hex nut (Fig. 4 - 4) and turn the bolt (Fig. 4 - 5) with a screwdriver until the fence is square. Secure it back in position by tightening the hex nut (Fig. 4 - 4).

2. Use a combination square (not included) to check the 45° limit stops. The 45° inward stop (Fig. 4 - 6) is the hex head bolt located beneath the shaft. The 45° outward stop is centered at the top of the backside of the fence (Fig. 3 - 1). If adjustments are needed, loosen the hex nut on either stop, turn the hex head bolt to the proper position, and secure in place again with the hex nut.

INSTALL THE DUST CHUTE

1. Slide the dust chute (Fig. 5 - 1) onto the end of the chip exhaust (Fig. 5 - 2).

2. Tighten the Phillips-head screw (Fig. 5 - 3) to secure the dust chute on the chip exhaust.



ASSEMBLY & ADJUSTMENTS

INSTALL THE FILTER BAG

The filter bag is designed to provide dust collection for woodworking tools using the 2-1/2" diameter dust port. The filter bag operates as an easy, convenient sawdust collection and disposal system. To install:

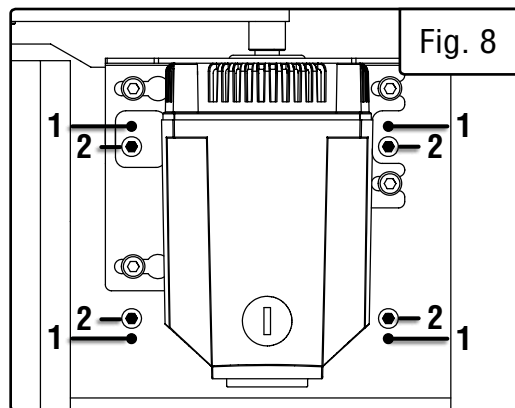
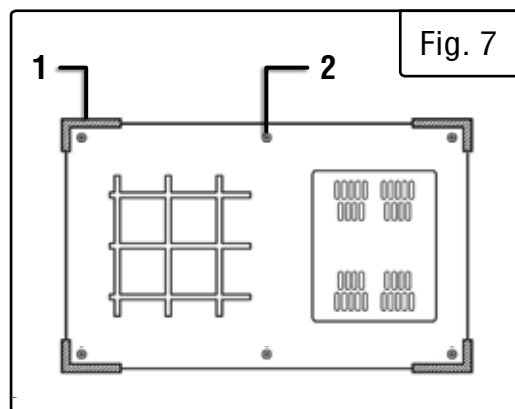
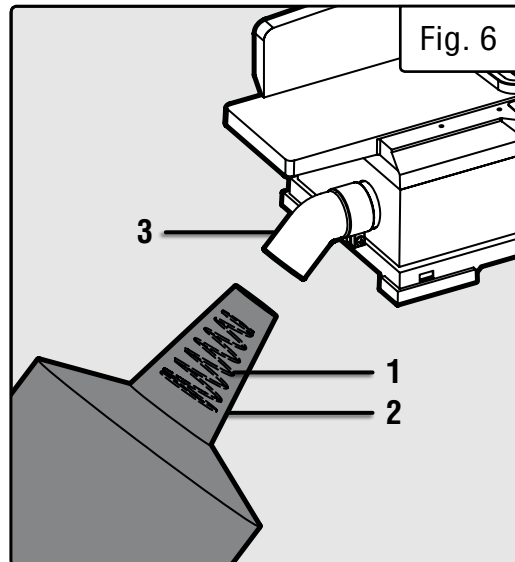
1. Open the zipper on the bottom of the bag and place the spring (Fig. 6 - 1) inside of the filter bag spout (Fig. 6 - 2). The smaller end should come out of the spout first.
2. Slide the filter bag spout with the spring inside of it over the dust chute (Fig. 6 - 3). Securely press the smaller end of the spring over the opening of the dust chute. Close the bag's zipper.

ADJUST THE INFEEED TABLE

The infeed table has been pre-set at the factory to be level. However, if shipping has caused the table to shift out of level, adjust it by following the procedures below. You will need:

- A Phillips-head screwdriver (not included)
- Hex wrenches (M5 and smaller)

1. Remove the fence and all other attachments (refer to p. 11).
2. Carefully and gently, with the help of another person if necessary, turn the unit over so its bottom is exposed. Remove the four rubber feet from the corners of the unit (Fig. 7 - 1).
3. Remove the six Phillips-head screws (Fig. 7 - 2) from the bottom of the unit. Set aside for later. Remove the bottom cover to expose the inside of the unit.
4. Look near the motor to locate the four set screws (Fig. 8 - 1) and four socket head bolts (Fig. 8 - 2).
5. Using an M5 hex wrench, loosen all four socket head bolts (Fig. 8 - 2). These hold the table to the frame of the jointer.
6. Once all four screws from step 5 are loose, use an M3 hex wrench to adjust the four set screws (Fig. 8 - 1). These set screws adjust the table's level.
8. Adjust set screws as necessary. Tightening set screws (turning clockwise) will cause the corresponding side of the table to rise, and loosening them (turning counterclockwise) will cause the corresponding side to drop. Make sure to check the table for level in both the lengthwise (along the table, perpendicular to the blades) and width-wise (across the table, parallel to the blades) directions.
9. Once you have reached an acceptable adjustment, tighten the four socket head bolts (Fig. 8 - 2).
10. Replace the back cover. Tighten the six Phillips-head screws (Fig. 7 - 2), and replace the four rubber feet from the corners of the unit (Fig. 7 - 1).
11. Carefully and gently, with the help of another person if necessary, turn the unit over so it is right side up.
12. Reattach the fence and all other attachments (refer to p. 11).



OPERATION

⚠ WARNING! Do not plug in or turn on the tool until it is fully assembled according on the instructions. Failure to follow the safety instructions may result in serious personal injury.

TOOL PURPOSE

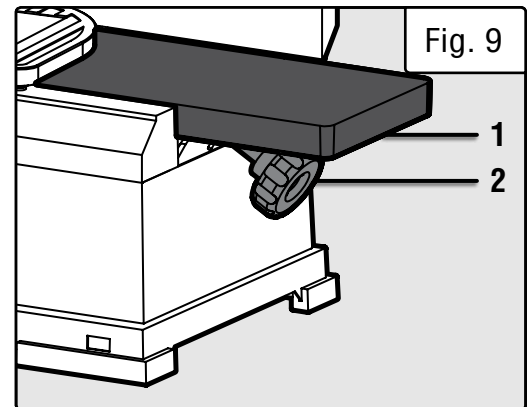
Jointing is a surfacing operation in which a small amount of wood is removed from the edges and faces of boards to smooth and straighten the surfaces. This allows the edges of two boards to fit together to form a seamless joint. Of course, you probably already knew all that, otherwise why would you have bought a jointer?

Planing refers to the sizing of lumber to a desired thickness while creating a level surface parallel to the opposite side of the board. Depth of cut is the term used to indicate how deep the blades will cut into the workpiece.

ADJUST THE DEPTH OF CUT

The depth of cut is adjusted by the relative positioning of the infeed table with respect to the cutterhead. The infeed table (Fig. 9 - 1) can be raised or lowered using the infeed adjustment knob (Fig. 9 - 2). Turning the knob clockwise will raise the infeed table, causing less wood to be removed from the workpiece. Turning the hand wheel counterclockwise will lower the infeed table, causing more wood to be removed from the workpiece. Do not make jointing cuts deeper than 1/8 of an inch.

NOTE: For a smooth finish, it is recommended to do multiple passes at a lower depth. We recommend using a depth of 1/32". Always using a depth of 1/8" will shorten the lifespan of your jointer and give you a rougher finish.

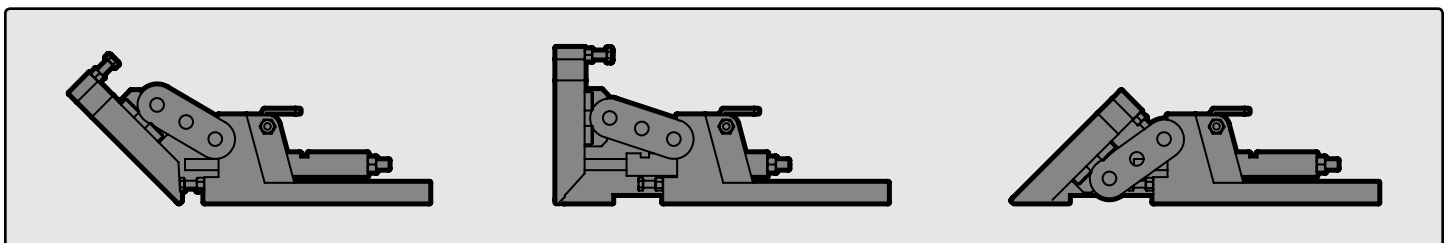


BEVEL THE FENCE

NOTE: As long as you have squared the machine (p. 11), then the fence can easily be set to 45° using the limit stops. However, it is always advisable to check your angles with a piece of scrap wood before jointing your final workpiece.

The fence can be positioned to joint the wood at any angle from 45° inward to 45° outward.

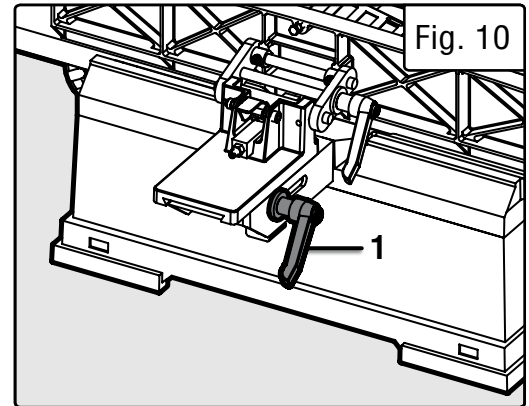
1. Before adjusting the fence's angle, make sure that the unit is unplugged and the power switch is in the OFF position.
2. Turn the fence bevel handle (Fig. 3 - 5) counterclockwise to loosen it. If you find it necessary to reposition the handle, pull it outwards, turn the handle to the new position, and release it.
3. Manually tilt the fence to desired angle; use an angle gauge block (not included) to see the current angle.
4. Once the desired angle has been achieved, tighten the bevel handle.



OPERATION

MOVE THE FENCE

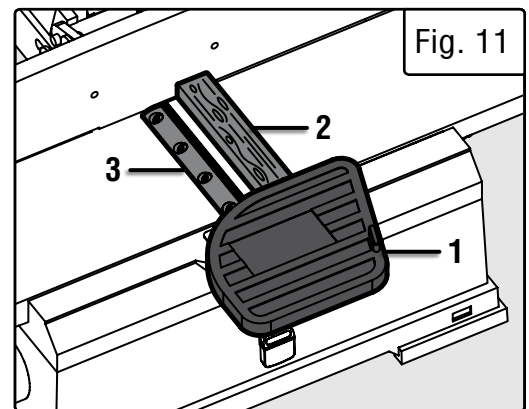
1. Before adjusting the fence's angle, make sure that the unit is unplugged and the power switch is in the OFF position.
2. Loosen the fence sliding handle (Fig. 10 - 1).
3. Slide the fence to the desired position. The fence can be positioned over the blade so that only the desired width of the blade is exposed. Make sure the exposed width matches that of the workpiece.
4. Tighten the fence sliding handle so that the fence is secure.



ADJUST THE BLADE HEIGHT

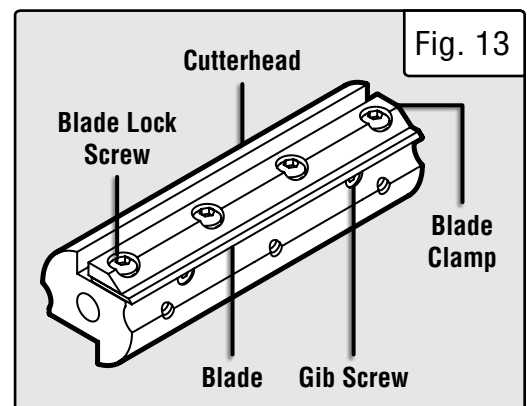
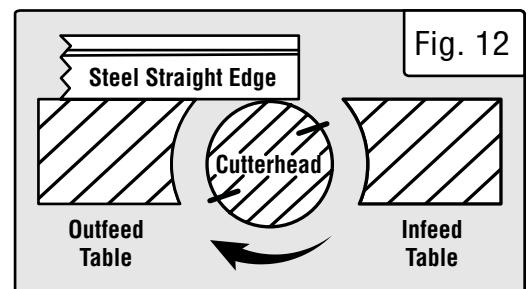
The blades have been adjusted at the factory to assure proper operation and should require no adjustment. However, shipping and handling may have caused slight misalignment. For accurate cutting, the cutting edges of the blades should be flush with the outfeed table.

1. Make sure the switch is in the OFF position and that the cord is unplugged before checking the blades.
2. Block the blade guard (Fig. 11 - 1) from closing using a scrap piece of 6-1/4-inch long wood (Fig. 11 - 2) between the fence and the guard.
3. Turn the cutterhead so that one of the blades is at its highest position.



CAUTION! The cutterhead blades (Fig. 11 - 3) are extremely sharp. To avoid injury, do not let your fingers contact the cutting edge.

4. Place a straight-edge over the outfeed table and the blade. The straight edge must touch evenly on the outfeed table at both ends of the blade. See Fig. 12.
5. Rotate the cutterhead by hand. The blades should just touch the straight-edge. If a blade is too low or too high at either end, adjust the blade height. Using a hex wrench, loosen the blade locking screws and adjust the gib screws to re-position the blade. Fully tighten the locking screws once the adjustments have been made (Fig. 13).



OPERATION

AVOID DAMAGE TO BLADES

Jointers are a precision woodworking machine and should be used on quality lumber only. Do not joint dirty boards; dirt and small stones are abrasive and will wear out the blades.

For proper operation, it is preferable to use the jointer with a dust collection system attached to the exhaust port in the rear of the jointer. Attaching a dust collecting system is highly recommended when taking deeper cuts to prevent clogging of wood chips.

Remove nails and staples. Only use the jointer to cut wood. Avoid knots. Heavily cross-grained wood makes knots hard. Knots can come loose and jam blades.

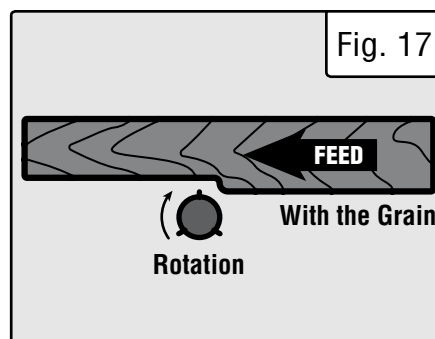
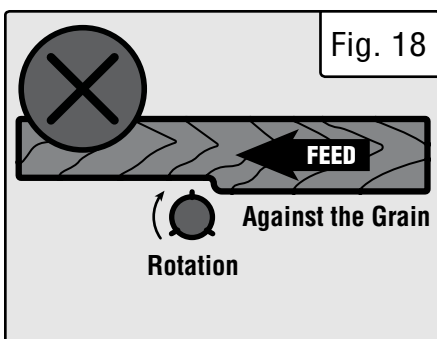
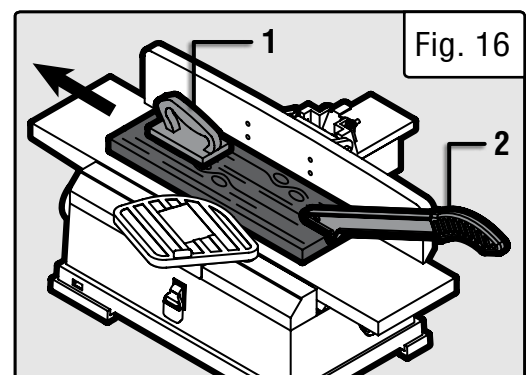
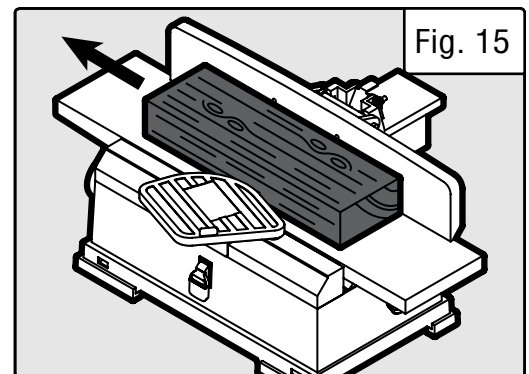
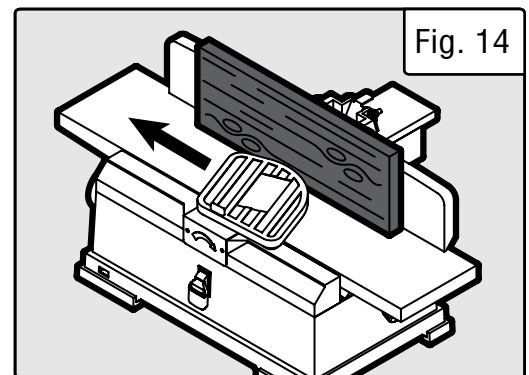
Assess the value of badly warped boards. You may be tempted to take a deep cut to square the boards quickly, when a better approach is to use several passes with a shallower cut.

⚠ WARNING! Any article that encounters jointer blades may be forcibly ejected from the jointer, creating risk of injury. Make sure the wood is free from foreign materials before attempting to joint.

FEED A WORKPIECE

Feed rate refers to the rate at which wood is passed over the blades. An even feed rate produces a uniform finish.

1. Hold the work piece firmly down on the feed table and against the fence.
2. Feed the work piece at an even rate over the cutterhead. Any hesitation or stopping will cause a “step” to be cut in the work piece. See Figs. 14 - 16 for different feeding methods.
3. As your trailing hand passes over the cutterhead, remove your leading hand and place behind your trailing hand and repeat until the entire length of the workpiece has been cut. Use a push block (Fig. 16 - 1) and a push stick (Fig. 16 - 2) to hold and feed the workpiece when jointing wood that is narrower than 3 inches or thinner than 3 inches.
4. Cut with the grain whenever possible (Fig. 17). Do not feed against the end grain (Fig. 18), otherwise the workpiece may split and shatter. If the nature of the workpiece requires you to joint against the grain, take extremely light cuts and feed slowly. When using long work pieces, use extra supports at both ends of the jointer.



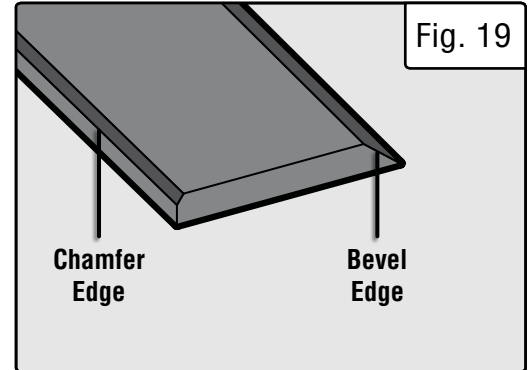
OPERATION

BEVEL AND CHAMFER

The fence on the jointer is adjustable from 45° inward to 45° outward. Adjust the fence to the desired angle and tighten the bevel handle.

Beveling refers to cutting the entire edge of a board at an angle. Beveling may require several passes due to the depth of the cut needed. See Fig. 19.

Chamfering refers to removing only the corner of the edge of a board. Normally a chamfer is made in one pass; so a 1/16-inch deep cut is made. See Fig. 19.



ATTACH A VACUUM HOSE

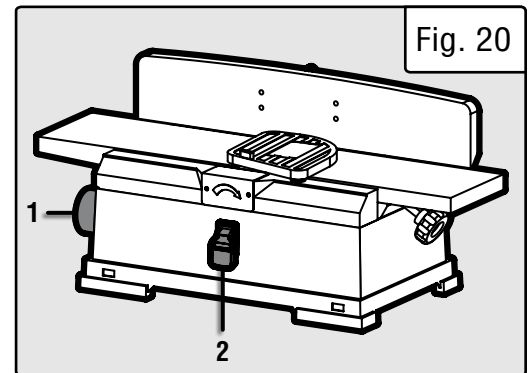
A 2-1/2" dust collection hose can be attached to the 2-3/8" diameter dust port underneath the outfeed table. The jointer will perform properly at all depths of cuts up to 1/8" when using a dust collection system.

NOTE: Make sure the jointer and dust collection system are on separate electrical circuits. This will prevent circuits from overloading.

1. Make sure the switch is in the OFF position and that the cord is unplugged before attaching the vacuum hose.

2. Attach the dust collection hose to the dust port (Fig. 20 - 1).

3. Turn the dust collection system ON before starting the jointer. Periodically replace and empty the bag in the collection system according to the manufacturer's instructions.



ON/OFF SWITCH

The ON/OFF switch (Fig. 20 - 2) is located on the front of the jointer.

1. To turn the jointer ON, move the switch to the up position.

2. To turn the jointer OFF, move the switch to the down position.

3. Remove the yellow tab to engage the child-safety lock and prevent unwanted start-ups.

MAINTENANCE

⚠ WARNING! To avoid accidents, turn OFF and unplug the tool from the electrical outlet before cleaning, adjusting, or performing any maintenance or lubrication work.

⚠ WARNING! Any attempt to repair or replace electrical parts on this tool may be hazardous. Servicing of the tool must be performed by a qualified technician. When servicing, use only identical WEN replacement parts. Use of other parts may be hazardous or induce product failure.

⚠ WARNING! To avoid cuts, wear cut-proof or cut-resistant gloves when performing maintenance work. Remove the gloves before operating the jointer.

ROUTINE INSPECTION

Before each use, inspect the general condition of the tool. If any of the following conditions exist, do not use until parts are replaced or the jointer is properly repaired.

Check for:

- Loose hardware or improper mounting,
- Misalignment or binding of moving parts,
- Damaged cord/electrical wiring,
- Worn or damaged blades,
- Cracked or broken parts, and
- Any other condition that may affect its safe operation

CHECK FOR WORN BLADES

The condition of blades will affect the precision of the cuts. Observe the quality of the cut that the jointer produces to check the condition of the blades. Dull blades will tear wood fibers and produce fuzzy surfaces. Raised grain will occur when dull blades pound on wood that has varying density. Raised edges will also be produced where the blades have been nicked. Blades on this jointer should always be replaced as a matched set. Keeping a spare set of blades on hand is recommended. Replacement blades (part no. **6560-083**) can be ordered from **wenproducts.com**.

NOTE: The blades on this jointer are NOT reversible.

MAINTENANCE

⚠ WARNING! To avoid cuts, wear cut-proof or cut-resistant gloves when performing maintenance work on the blades. Remove the gloves before operating the jointer.

REPLACING BLADES

1. Make sure the switch is in the OFF position and that the cord is unplugged before replacing the blades (Fig. 21 - 3). Block the blade guard (Fig. 21 - 1) from closing using a scrap piece of 6-1/4-inch wood (Fig. 21 - 2) between the fence and the guard.

2. Loosen and remove the four blade lock screws (Fig. 22 - 1) securing the blade (Fig. 22 - 2) and the blade clamp (Fig. 22 - 3).

3. Lift the blade and the blade clamp from the cutterhead, cleaning any sawdust and resin buildup from the cutterhead, the blade and the blade clamp.

4. Place the new blade against the blade clamp and replace it in the cutterhead, securing it in place with the four blade lock screws. Do not tighten the blade lock screws until you have checked that the blade height is level and properly aligned.

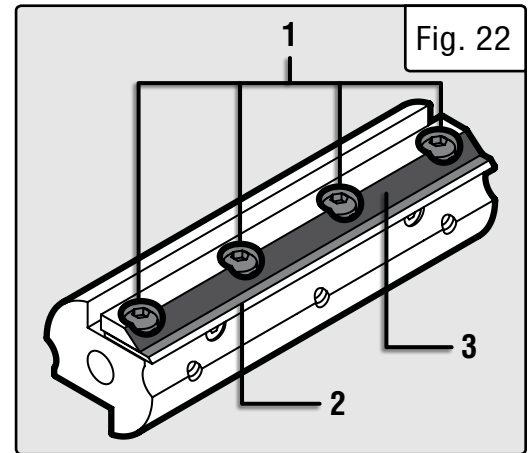
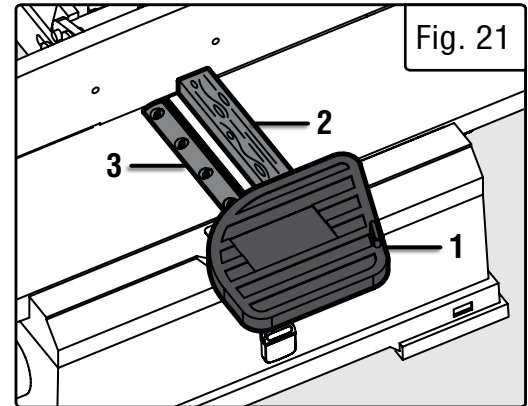
5. Adjust as required, using a straight edge as described in “Adjust the Blade Height” on p. 14 of this manual. Tighten the blade lock screws, check the blade adjustment, and make sure the blade is still level with the outfeed table. Repeat this procedure to replace the other blade. Remove the scrap wood and release the blade guard.

CLEANING & STORAGE

1. After every operation, use a vacuum to remove dust and chips from the tool surfaces, motor housing and work area. Keep the ventilation openings free from dust and debris to prevent the motor from overheating.

2. Wipe the tool surfaces clean with a soft cloth or brush. Make sure water does not get into the tool.

3. Lubricate the table bracket and locking knobs if they become difficult to use.



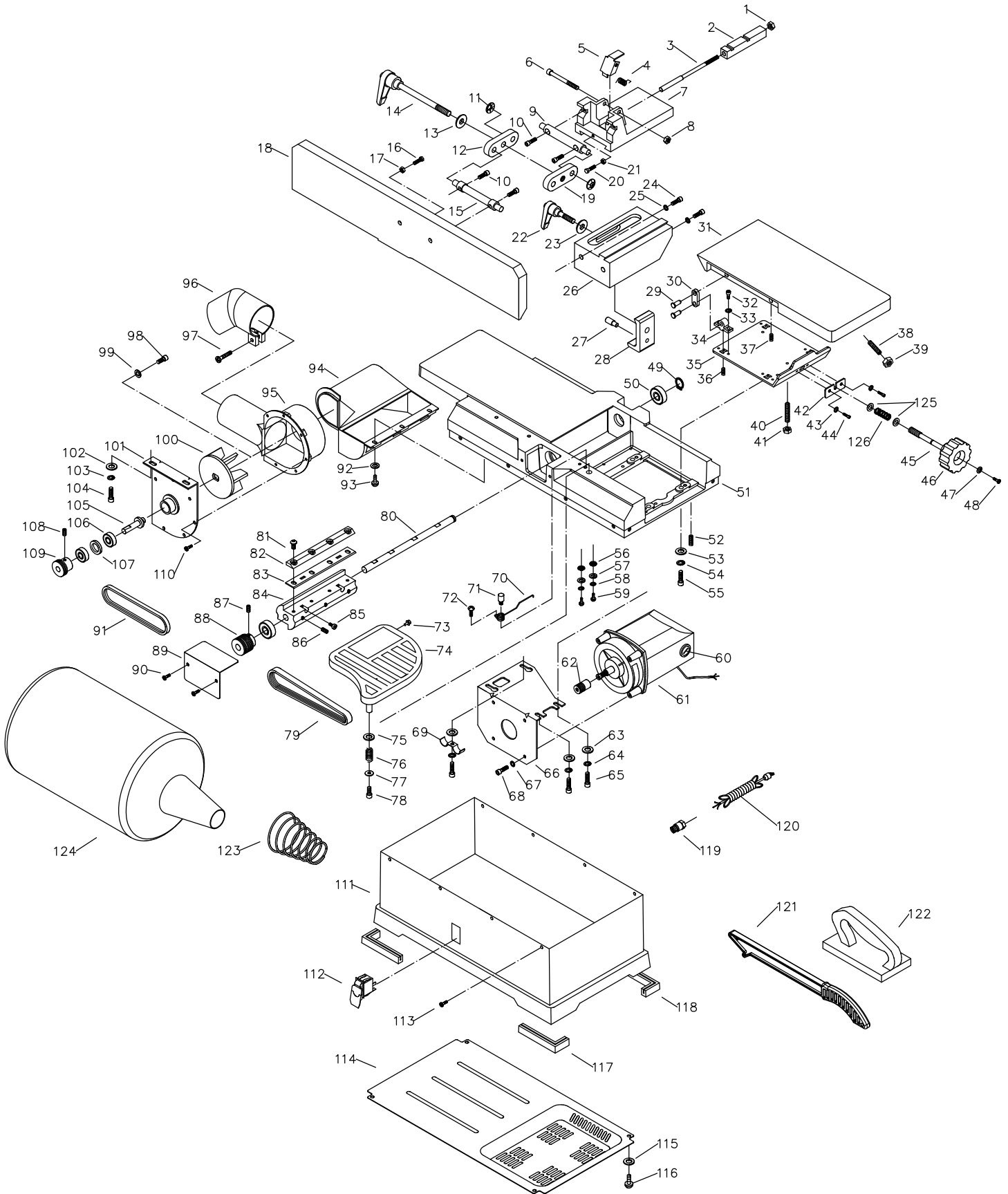
TROUBLESHOOTING GUIDE

⚠ WARNING! Stop using the tool immediately if any of the following problems occur. Repairs and replacements should only be performed by an authorized technician. For any questions, please contact our customer service at **1-(800) 232-1195**, M-F 8-5 CST or email us at techsupport@wenproducts.com.

PROBLEM	CAUSE	SOLUTION
Motor does not start.	Jointer is not plugged in.	Plug jointer in.
	Wrong choice of extension cord.	Choose proper size of extension cord.
	Defective switch.	Contact customer service at 1-800-232-1195 , M - F, 8 - 5 CST.
	Defective motor.	Contact customer service at 1-800-232-1195 , M - F, 8 - 5 CST.
	Worn carbon brushes.	Replace carbon brushes.
	Low line voltage.	Correct low line voltage condition.
Motor starts slowly or fails to come to full speed.	Defective motor windings.	Contact customer service at 1-800-232-1195 , M - F, 8 - 5 CST.
	Clogged wood chips.	Make a shallower cut and attach a dust collection device to the dust port. Inspect the chip blower assembly and the fan belt.
Motor is running too hot.	Motor overloaded.	Reduce the load on the motor (take shallower cuts).
	Restricted air circulation due to dust accumulation.	Clean out the dust and restore normal air circulation.
Snipe (gouging at end of boards)	Dull blades.	Replace or sharpen blades.
	Inadequate support of long boards.	Support long boards.
	Uneven feed.	Feed the workpiece at a consistent rate.
Poor dust extraction.	1) Dust extraction manifold is clogged. 2) The fan belt is bad.	1) Clean inside of jointer and manifold. 2) Replace the belt.
The cutterhead is not spinning.	Bad drive belt.	Replace drive belt.

NOTE: Carbon brush life depends on the amount of load being taken on by the motor. Regularly inspect the brushes after 50 hours of use.

EXPLODED VIEW & PARTS LIST



EXPLODED VIEW & PARTS LIST

No.	Part No.	Description	Qty.
1	6560-001	Hex Nut	1
2	6560-002	Block	1
3	JT6561-003	Shaft	1
4	6560-004	Spring	1
5	6560-005	Limit Plate	1
6	6560-006	Socket Head Screw	1
7	JT6561-007	Fence Bracket	1
8	6560-008	Hex Nut	1
9	6560-009	Bracket Shaft	1
10	6560-011	Socket Head Screw	4
11	6560-012	Push Nut	2
12	6560-013	Right Link	1
13	6560-014	Spacer	1
14	6560-015	Fence Tilting Handle	1
15	6560-016	Plate Shaft	1
16	6560-020	Hex Head Bolt	1
17	6560-021	Hex Nut	1
18	JT6561-018	Fence	1
19	6560-023	Left Link	1
20	6560-024	Hex Head Bolt	1
21	6560-025	Hex Nut	1
22	6560-026	Fence Sliding Handle	1
23	6560-027	Spacer	1
24	JT6561-024	Socket Head Screw, M6x16	2
25	JT6561-025	Lock Washer	2
26	JT6561-026	Fence Support	1
27	JT6561-027	Pin	1
28	JT6561-028	Locking Plate	1
29	JT6561-029	Pin	8
30	6560-038	Bracket	4
31	JT6561-031	Infeed Table	1
32	JT6561-032	Socket Head Screw	8
33	JT6561-033	Lock Washer	8
34	JT6561-034	Connection Bracket	4
35	JT6561-035	Table Support Plate	1
36	JT6561-036	Set Screw	4
37	JT6561-037	Set Screw	4
38	JT6561-038	Set Screw	1

No.	Part No.	Description	Qty.
39	6560-042	Hex Nut	1
40	6560-045	Set Screw	1
41	6560-046	Hex Nut	1
42	6560-047	Support Plate	1
43	6560-048	Lock Washer	2
44	6560-049	Socket Head Screw	2
45	6560-050	Elevation Screw	1
46	6560-051	Handwheel	1
47	6560-052	Flat Washer	1
48	6560-053	Pan Head Screw	1
49	6560-044	Retaining Ring	1
50	6560-043	Ball Bearing	2
51	JT6561-051	Body With Outfeed Table	1
52	6560-057	Set Screw	4
53	6560-058	Flat Washer	4
54	6560-059	Lock Washer	4
55	6560-060	Socket Head Screw	4
56	JT6561-056	Serrated Washer	2
57	JT6561-057	Flat Washer	2
58	JT6561-058	Lock Washer	2
59	JT6561-059	Pan Head Screw	2
60	6560-061	Carbon Brush	2
61	6560-062	Motor	1
62	6560-063	Motor Pulley	1
63	6560-064	Flat Washer	4
64	6560-065	Lock Washer	4
65	6560-066	Socket Head Screw	4
66	6560-067	Motor Support	1
67	6560-068	Lock Washer	4
68	6560-069	Socket Head Screw	4
69	6560-070	Cord Clamp	1
70	6560-071	Spring	1
71	JT6561-071	Pin	1
72	JT6561-072	Pan Head Screw M5x10	1
73	6560-074	Bumper	1
74	6560-075	Blade Guard	1
75	JT6561-075	Bushing	1
76	6560-076	Spring	1
77	6560-077	Flat Washer	1

EXPLODED VIEW & PARTS LIST

No.	Part No.	Description	Qty.
78	6560-078	Socket Head Screw	1
79	6560-079	Drive Belt	1
80	6560-080	Shaft	1
81	6560-081	Screw	8
82	6560-082	Blade Clamp	2
83	6560-083	Blade	2
84	6560-084	Cutterhead	1
85	6560-085	Jack Screw	4
86	6560-086	Set Screw	3
87	6560-087	Set Screw	1
88	6560-088	Drive Pulley	1
89	6560-089	Cover	1
90	6560-090	Socket Head Screw	2
91	6560-091	Fan Belt	1
92	6560-092	Flat Washer	3
93	6560-093	Pan Head Screw	3
94	6560-094	Chip Collector	1
95	6560-095	Chip Exhaust	1
96	6560-096	Dust Chute	1
97	6560-097	Pan Head Screw	1
98	6560-098	Socket Head Screw	1
99	6560-099	Flat Washer	1
100	6560-100	Fan	1
101	6560-101	Mounting Plate	1

No.	Part No.	Description	Qty.
102	6560-102	Flat Washer	2
103	6560-103	Lock Washer	2
104	6560-104	Socket Head Screw	2
105	6560-105	Fan Shaft	1
106	6560-106	Ball Bearing	2
107	6560-107	Spacer	1
108	6560-108	Set Screw	1
109	6560-109	Fan Pulley	1
110	6560-110	Self-tapping Screw	6
111	6560-111	Base	1
112	6560-112	Flat Head Screw	13
113	6560-113	Switch	1
114	6560-114	Cover	1
115	6560-115	Flat Washer	6
116	6560-116	Pan Head Screw	6
117	6560-117	Foot B	2
118	6560-118	Foot A	2
119	6560-119	Strain Relief	1
120	6560-120	Power Cord	1
121	6560-121	Push Stick	1
122	6560-122	Push Block	1
123	6560-123	Spring	1
124	6560-124	Filter Bag	1
125	6559-143	Flat Washer, 10mm	2
126	6559-144	Spring	1

WARRANTY STATEMENT

WEN Products is committed to building tools that are dependable for years. Our warranties are consistent with this commitment and our dedication to quality.

LIMITED WARRANTY OF WEN PRODUCTS FOR HOME USE

GREAT LAKES TECHNOLOGIES, LLC (“Seller”) warrants to the original purchaser only, that all WEN consumer power tools will be free from defects in material or workmanship during personal use for a period of two (2) years from date of purchase or 500 hours of use; whichever comes first. Ninety days for all WEN products if the tool is used for professional or commercial use. Purchaser has 30 days from the date of purchase to report missing or damaged parts.

SELLER’S SOLE OBLIGATION AND YOUR EXCLUSIVE REMEDY under this Limited Warranty and, to the extent permitted by law, any warranty or condition implied by law, shall be the replacement of parts, without charge, which are defective in material or workmanship and which have not been subjected to misuse, alteration, careless handling, misrepair, abuse, neglect, normal wear and tear, improper maintenance, or other conditions adversely affecting the Product or the component of the Product, whether by accident or intentionally, by persons other than Seller. To make a claim under this Limited Warranty, you must make sure to keep a copy of your proof of purchase that clearly defines the Date of Purchase (month and year) and the Place of Purchase. Place of Purchase must be a direct vendor of Great Lakes Technologies, LLC. Purchasing through third party vendors, including but not limited to garage sales, pawn shops, resale shops, or any other secondhand merchant, voids the warranty included with this product. Contact techsupport@wenproducts.com or 1-800-232-1195 with the following information to make arrangements: your shipping address, phone number, serial number, required part numbers, and proof of purchase. Damaged or defective parts and products may need to be sent to WEN before the replacements can be shipped out.

Upon the confirmation of a WEN representative, your product may qualify for repairs and service work. When returning a product for warranty service, the shipping charges must be prepaid by the purchaser. The product must be shipped in its original container (or an equivalent), properly packed to withstand the hazards of shipment. The product must be fully insured with a copy of the proof of purchase enclosed. There must also be a description of the problem in order to help our repairs department diagnose and fix the issue. Repairs will be made and the product will be returned and shipped back to the purchaser at no charge for addresses within the contiguous United States.

THIS LIMITED WARRANTY DOES NOT APPLY TO ITEMS THAT WEAR OUT FROM REGULAR USAGE OVER TIME, INCLUDING BELTS, BRUSHES, BLADES, BATTERIES, ETC. ANY IMPLIED WARRANTIES SHALL BE LIMITED IN DURATION TO TWO (2) YEARS FROM DATE OF PURCHASE. SOME STATES IN THE U.S. AND SOME CANADIAN PROVINCES DO NOT ALLOW LIMITATIONS ON HOW LONG AN IMPLIED WARRANTY LASTS, SO THE ABOVE LIMITATION MAY NOT APPLY TO YOU.

IN NO EVENT SHALL SELLER BE LIABLE FOR ANY INCIDENTAL OR CONSEQUENTIAL DAMAGES (INCLUDING BUT NOT LIMITED TO LIABILITY FOR LOSS OF PROFITS) ARISING FROM THE SALE OR USE OF THIS PRODUCT. SOME STATES IN THE U.S. AND SOME CANADIAN PROVINCES DO NOT ALLOW THE EXCLUSION OR LIMITATION OF INCIDENTAL OR CONSEQUENTIAL DAMAGES, SO THE ABOVE LIMITATION OR EXCLUSION MAY NOT APPLY TO YOU.

THIS LIMITED WARRANTY GIVES YOU SPECIFIC LEGAL RIGHTS, AND YOU MAY ALSO HAVE OTHER RIGHTS WHICH VARY FROM STATE TO STATE IN THE U.S., PROVINCE TO PROVINCE IN CANADA AND FROM COUNTRY TO COUNTRY.

THIS LIMITED WARRANTY APPLIES ONLY TO ITEMS SOLD WITHIN THE UNITED STATES OF AMERICA, CANADA AND THE COMMONWEALTH OF PUERTO RICO. FOR WARRANTY COVERAGE WITHIN OTHER COUNTRIES, CONTACT THE WEN CUSTOMER SUPPORT LINE. FOR WARRANTY PARTS OR PRODUCTS REPAIRED UNDER WARRANTY SHIPPING TO ADDRESSES OUTSIDE OF THE CONTIGUOUS UNITED STATES, ADDITIONAL SHIPPING CHARGES MAY APPLY.

**THANKS FOR
REMEMBERING**

