

# OPERATOR'S MANUAL

## Self Propelled Mower Rear Wheel Drive Model Series Q & R

### Record Product Information

Before setting up and operating your new mower, please locate the model plate on the equipment and record the information in the provided area to the right. You can locate the model plate by standing at the operator's position and looking down at the rear of the deck. This information will be necessary, should you seek technical support via our web site, Customer Support Department, or with a local authorized service dealer.

### MODEL NUMBER

### SERIAL NUMBER

### Table of Contents

|                                       |    |                                      |                         |
|---------------------------------------|----|--------------------------------------|-------------------------|
| <i>Safe Operation Practices</i> ..... | 2  | <i>Service and Maintenance</i> ..... | 12                      |
| <i>Assembly</i> .....                 | 8  | <i>Troubleshooting</i> .....         | 12                      |
| <i>Adjustment</i> .....               | 9  | <i>Spanish</i> .....                 | 15                      |
| <i>Operation</i> .....                | 10 | <i>Parts/Warranty</i> .....          | See Separate Supplement |

### WARNING

Read and follow all safety rules and instructions in this manual before attempting to operate this machine. Failure to comply with these instructions may result in personal injury - SAVE THESE INSTRUCTIONS.

### WARNING

#### CALIFORNIA PROPOSITION 65

Engine Exhaust, some of its constituents, and certain vehicle components contain or emit chemicals known to State of California to cause cancer and birth defects or other reproductive harm.

**NOTE:** This Operator's Manual covers several models. Features may vary by model. Not all features in this manual are applicable to all models and the model depicted may differ from yours.



# SAFE OPERATION PRACTICES

## ⚠ WARNING



This symbol points out important safety instructions which, if not followed, could endanger the personal safety and/or property of yourself and others. Read and follow all instructions in this manual before attempting to operate this machine. Failure to comply with these instructions may result in personal injury. When you see this symbol. **HEED ITS WARNING!**

## ⚠ DANGER

This machine was built to be operated according to the safe operation practices in this manual. As with any type of power equipment, carelessness or error on the part of the operator can result in serious injury. This machine is capable of amputating fingers, hands, toes and feet and throwing debris. Failure to observe the following safety instructions could result in serious injury or death.

### General Information

1. Read, understand, and follow all instructions on the mower and in the manual(s) before attempting to assemble and operate. Keep this manual in a safe place for future and regular reference and for ordering replacement parts.
2. Be familiar with all controls and their proper operation.
3. Never allow children under 14 years of age to operate this mower. Children 14 and over should read and understand the instructions and safe operation practices in this manual and on the mower and should be trained and supervised by an adult.
4. Never allow adults to operate this mower without proper instruction.
5. If situations occur which are not covered in this manual, use care and good judgment. Contact your customer service representative for assistance.
6. According to the U.S. Consumer Products Safety Commission (CPSC) and the U.S. Environmental Protection Agency (EPA), this product has an estimated useful life of seven (7) years, under ordinary use conditions. At the end of its useful life, have the product inspected annually to ensure all mechanical and safety systems are operating properly, safely, and are not worn excessively. Failure to do so may result in accident, injury, or death.

### Preparation before Operating

1. Thoroughly inspect the area where the mower is to be used. Remove all stones, sticks, wire, bones, toys, and other foreign objects which could be tripped over or picked up and thrown by the blade(s). Thrown objects can cause serious personal injury.
2. To help avoid blade contact or a thrown object injury, stay in the operator zone behind the mower handles. Keep helpers at least 75 feet (23 meters) from the mower while it is in operation. Keep bystanders, children and pets inside while the mower is in operation. Stop mower if anyone enters the area.
3. Be aware of the mower and attachment discharge direction and do not point the mower discharge at anyone.

4. Always wear safety glasses or safety goggles during operation and while performing an adjustment or repair to protect your eyes. Thrown objects which ricochet can cause serious injury to the eyes.
5. Wear sturdy, rough-soled work shoes and close-fitting slacks and shirts. Loose fitting clothes, jewelry and long hair can be caught in moving parts. Shirts and pants that cover the arms and legs and steel-toed shoes are recommended.
6. Never operate mower in bare feet, sandals, slippery or light-weight (e.g. canvas) shoes.
7. Never over fill fuel tank. Fill tank to no more than 1" (2.5 cm) below bottom of filler neck to allow space for fuel expansion.
8. Replace gasoline cap and tighten securely.
9. Use only accessories and attachments approved for this mower by the mower manufacturer. Read, understand and follow all instructions provided with the approved accessory or attachment.

### Operating

1. Data indicates that operators, age 65 years and above, are involved in a large percentage of mower-related injuries. These operators should evaluate their ability to operate the mower safely enough to protect themselves and others from serious injury.
2. Many injuries occur as a result of the mower being pulled over the foot during a fall caused by slipping or tripping. Do not hold on to the mower if you are losing your balance or footing; immediately release the handle.
3. Never pull the mower back toward you while you are walking. If you must back the mower away from a wall or obstruction first look down and behind to avoid tripping and then follow these steps:
  - a. Step back from mower to fully extend your arms.
  - b. Be sure you are well balanced with sure footing.
  - c. Pull the mower back slowly, no more than half way toward you.
  - d. Repeat these steps as needed.
4. Do not engage the drive control (if equipped) while starting engine.

## SAFE OPERATION PRACTICES

- The blade control is a safety device. Never attempt to bypass its operation. Doing so makes the safety device inoperative and may result in personal injury through contact with the rotating blade. The blade control must operate freely in both directions and automatically return to the disengaged (off) position when released. The cutting blade continues to rotate for up to three seconds after the blade control is released. Never place any part of the body in the blade area until you are certain the blade has stopped rotating.
- If the mower should start to vibrate abnormally, stop the engine and check immediately for the cause. Vibration is generally a warning of trouble.
- Never operate mower without the proper trail shield, discharge cover, grass catcher, blade control or other safety protective devices in place and working. Never operate mower with damaged safety devices. Failure to do so can result in personal injury.
- When starting engine, pull cord slowly until resistance is felt, then pull rapidly. Rapid retraction of starter cord (kickback) will pull hand and arm toward engine faster than you can let go. Broken bones, fractures, bruises or sprains could result.
- Do not put hands or feet near rotating parts or under the cutting deck. Contact with the blade(s) can amputate hands and feet.
- Watch for holes, ruts, bumps, rocks, or other hidden objects. Uneven terrain or hidden objects could cause a slip and/or trip accident. Tall grass can hide obstacles.
- Your mower is designed to cut normal residential grass of a height no more than 7" (17.5 cm). Do not attempt to mow through unusually tall, dry grass (e.g., pasture) or piles of dry leaves.
- Plan your mowing pattern to avoid discharge of material toward roads, sidewalks, helpers and the like. Avoid discharging material against a wall or obstruction which may cause discharged material to ricochet back toward the operator.
- Shut the engine off and wait until the blade comes to a complete stop before removing the grass catcher or unclogging the chute. The cutting blade continues to rotate for up to three seconds after the blade control is released. Never place any part of the body in the blade area until you are certain the engine is off and the blade has stopped rotating.
- A missing or damaged discharge door, chute or mulch plug can cause blade contact or thrown object injuries.
- Do not operate the mower without the discharge door, chute, mulch plug or the entire grass catcher in its proper place.
- Stop the mower blade when crossing gravel drives, walks, or roads and while not cutting grass.
- Mow only in daylight or good artificial light.
- Do not operate the mower while under the influence of alcohol or drugs.
- The muffler and engine become very hot and can cause serious burn injuries. Do not touch. Allow the mower to cool for at least five minutes before storing or attempting any service.
- Never run an engine indoors or in a poorly ventilated area. Engine exhaust contains carbon monoxide, an odorless and deadly gas.

### Children

- Tragic accidents can occur if the operator is not alert to the presence of children. Children are often attracted to the mower and the mowing activity. They do not understand the dangers. Never assume that children will remain where you last saw them.
- Keep bystanders, children and pets inside while the mower is in operation under watchful care of a responsible adult other than the operator. Stop mower if anyone enters the area.
- Be alert and turn mower off if a child or bystander enters the area.
- Never allow children under 14 years of age to operate this mower. Children 14 and over should read and understand the instructions and safe operation practices in this manual and on the mower and should be trained and supervised by an adult.
- This mower is a precision piece of power equipment, not a plaything. Therefore, exercise extreme caution at all times. This mower has been designed to perform one job: to mow grass. Do not use it for any other purpose.
- Use extreme care when approaching blind corners, doorways, shrubs, trees or other objects that may block your vision of a child who may run into the path of the mower.
- Keep children away from hot or running engines. They can suffer burns from a hot engine or muffler.
- If your mower is equipped with an Electric Start Push Key, remove the key when the mower is unattended to prevent unauthorized operation. Make certain the key is inaccessible to small children.

### Slope Operation for Walk-Behind Mowers

- Slopes are a major factor related to slip and fall accidents which can result in severe injury or death. All slopes require extra caution. If you feel uneasy on the slope, do not mow it.
- For your safety, measure any slope before using the mower on the sloped area. Use a slope measuring device in addition to the slope gauge included as part of this manual to measure slopes before operating this mower on a sloped or hilly area. Smart phone applications can be also utilized to measure slopes. If the slope is greater than 15 degrees (25%) as shown on the slope gauge or a slope measuring device, do not operate this mower on that area or serious injury could result.
- Do not mow on slopes greater than 15 degrees (25%).

## SAFE OPERATION PRACTICES

4. Only mow across slopes, never mow up and down slopes.
5. The mower may speed up when turning downhill, always turn uphill. Maintain control of the mower at all times.
6. Do not mow on wet grass. Unstable footing could cause slipping.
7. Do not operate the mower under any conditions where traction or stability is in question. Always be sure of your footing. A slip and fall can cause serious personal injury. If you feel you are losing your balance or footing, release the blade control handle immediately and the blade will stop rotating within three (3) seconds.
8. Stay at least 3 feet (1 meter) from drop-offs, ditches, embankments or the edge of water. You could lose your balance or footing.
13. When practical, remove gas-powered equipment from the truck or trailer and refuel it on the ground. If this is not possible, then refuel such equipment on a trailer with a portable container, rather than from a gasoline dispenser nozzle.
14. Keep the nozzle in contact with the rim of the fuel tank or container opening at all times until fueling is complete. Do not use a nozzle lock-open device.

### Service

### Fire & Fuel

1. To avoid personal injury or property damage use extreme care in handling gasoline. **Gasoline is extremely flammable and the vapors are explosive.** Serious personal injury can occur when gasoline is spilled on yourself or your clothes which can ignite. Wash your skin and change clothes immediately.
2. Extinguish all cigarettes, cigars, pipes and other sources of ignition.
3. Only use an approved portable fuel (gasoline) container. Use only containers certified by EPA, CARB, and/or OSHA.
4. Never remove gas cap or add fuel while the engine is hot or running. Allow engine to cool at least five minutes before refueling.
5. Never fuel the mower indoors.
6. Never store the mower or fuel container inside where there is an open flame, spark or pilot light as on a water heater, space heater, furnace, clothes dryer or other gas appliances.
7. If fuel is spilled, wipe it off the engine and mower. Clean up oil or fuel spillage and remove any fuel soaked debris. Move the mower to another area. Wait at least 5 minutes before starting the engine.
8. To reduce fire hazards, keep mower free of grass, leaves, or other debris build-up. Follow the "Maintenance Schedule" in the Service and Maintenance section to keep your mower free of debris.
9. Never over fill fuel tank. Fill tank to no more than 1" (25mm) below bottom of filler neck to allow space for fuel expansion.
10. Replace gas cap and tighten securely.
11. Allow a mower to cool at least five minutes before fueling or storing.
12. Never fill containers inside a vehicle or on a truck or trailer bed with a plastic liner. Always place containers on the ground away from your vehicle before filling.
1. Keep the mower in good working order. Replace worn or damaged parts.
2. To avoid serious injury or death, do not modify engine in any way. Tampering with the governor setting can lead to a runaway engine and cause it to operate at unsafe speeds. Never tamper with factory setting of engine governor. Do not change the engine governor settings or over-speed the engine. The governor controls the maximum safe operating speed of the engine.
3. Mower blades are sharp. Wrap the blade or wear gloves, and use extra caution when servicing them.
4. Before cleaning, repairing, or inspecting, make certain the blade and all moving parts have stopped. Disconnect the spark plug wire and ground against the engine to prevent unintended starting.
5. Ensure the blade comes to a complete stop within (3) three seconds after operating the blade control. If the blade do not stop in less than three seconds, your mower must be serviced professionally by an authorized service dealer. Check for proper operation per the Maintenance Schedule in the Service and Maintenance section.
6. Regularly check the safety interlock system for proper function, as described later in this manual. If the safety interlock system does not function properly, have your mower serviced professionally by an authorized service dealer.
7. Never tamper with the blade control safety interlock or other safety devices. Check for proper operation per the Maintenance Schedule in the Service and Maintenance section.
8. Check the mower blade and engine mounting bolt torque in accordance to the Maintenance Schedule in the Service and Maintenance section in this manual. Also, visually inspect blade for damage (e.g., excessive wear, bent, cracked). Replace the blade with the original equipment manufacturer's (O.E.M.) blade only.
9. Use of service parts which do not meet the original equipment specifications may lead to improper performance and compromise safety.
10. Keep all nuts, bolts, and screws tight to be sure the equipment is in safe working condition. Check all hardware for tightness per the Maintenance Schedule in the Service and Maintenance section.

## SAFE OPERATION PRACTICES

11. After striking a foreign object, stop the engine, disconnect the spark plug wire(s) and ground against the engine. Thoroughly inspect the mower for any damage. Repair the damage before starting and operating
12. Never attempt to make wheel cutting height adjustments or repairs to the mower while the engine is running.
13. Grass catcher components and the discharge cover are subject to wear and damage which could expose moving parts or allow objects to be thrown. For safety protection, frequently check components and replace immediately with original equipment manufacturer's (O.E.M.) parts only, listed in this manual. "Use of parts which do not meet the original equipment specifications may lead to improper performance and compromise safety"
14. Maintain or replace safety and instruction labels, as necessary.
15. Observe proper disposal laws and regulations for gas, oil, etc. to protect the environment.

### Notice Regarding Emissions

Engines which are certified to comply with California and federal EPA emission regulations for SORE (Small Off Road Equipment) are certified to operate on regular unleaded gasoline, and may include the following emission control systems: Engine Modification (EM) and Three Way Catalyst (TWC) if so equipped.

When required, models are equipped with low permeation fuel lines and fuel tanks for evaporative emission control. California models may also include a carbon canister. Please contact Customer Support for information regarding the evaporative emission control configuration for your model.

### Spark Arrestor

#### **⚠ WARNING**

This mower is equipped with an internal combustion engine and should not be used on or near any unimproved forest-covered, brush-covered or grass-covered land unless the engine's exhaust system is equipped with a spark arrestor meeting applicable local or state laws (if any).








If a spark arrestor is used, it should be maintained in effective working order by the operator. In the State of California the above is required by law (Section 4442 of the California Public Resources Code). Other states may have similar laws. Federal laws apply on federal lands.

A spark arrestor for the muffler is available through your nearest engine authorized service dealer or contact the service department, P.O. Box 361131 Cleveland, Ohio 44136-0019.

# SAFE OPERATION PRACTICES

## SAFETY SYMBOLS

This page depicts and describes safety symbols that may appear on this mower. Read, understand, and follow all instructions on the mower before attempting to assemble and operate.

| Symbol  | Description   |
|---|---|
|    | <b>WARNING – READ THE OPERATOR’S MANUAL(S)</b><br>Read, understand and follow all the safety rules and instructions in the manual(s) and on the mower before attempting to operate this mower. Failure to comply with this information may result in personal injury or death. Keep this manual in a safe location for future and regular reference.  |
|    | <b>DANGER — AVOID AMPUTATION INJURY</b><br>Do not put hands or feet near or under the cutting deck. Contact with the blade can amputate hands and feet.   |
|    | <b>DANGER — AVOID CHILD RUNOVER/BLADE INJURY</b><br>Do not mow when children or others are around. To help avoid blade contact or a thrown object injury, stay in the operator zone behind the mower handles. Keep helpers at least 75 feet (23 meters) from the mower while it is in operation. Keep bystanders, children and pets inside while the mower is in operation. Stop mower if anyone enters the area. |
|    | <b>DANGER — AVOID THROWN OBJECT INJURY</b><br>Keep helpers at least 75' (23 meters) from mower during operation. Remove all stones, sticks, wire, bones, toys, and other foreign objects which could be picked up and thrown by the blade(s). Do not operate the mower without the discharge cover or entire grass catcher in its proper place.   |
|  | <b>DANGER — AVOID SLIP AND FALL ON SLOPES</b><br>Slopes are a major factor related to slip and fall accidents which can result in severe injury or death. All slopes require extra caution. If you feel uneasy on the slope, do not mow it. Do not mow on slopes greater than 15 degrees (25%). Only mow across slopes, never mow up and down slopes.   |
|  | <b>WARNING—GASOLINE IS FLAMMABLE</b><br>Allow the engine to cool at least five minutes before refueling.  |
|  | <b>WARNING— AVOID BURN INJURY</b><br>The muffler and engine become very hot and can cause serious burn injuries. Do not touch. Allow the mower to cool for at least five minutes before storing or attempting any service.  |

### WARNING

**Your Responsibility**—Restrict the use of this power machine to persons who read, understand and follow the warnings and instructions in this manual and on the machine.

**SAVE THESE INSTRUCTIONS!**

# SLOPE GAUGE

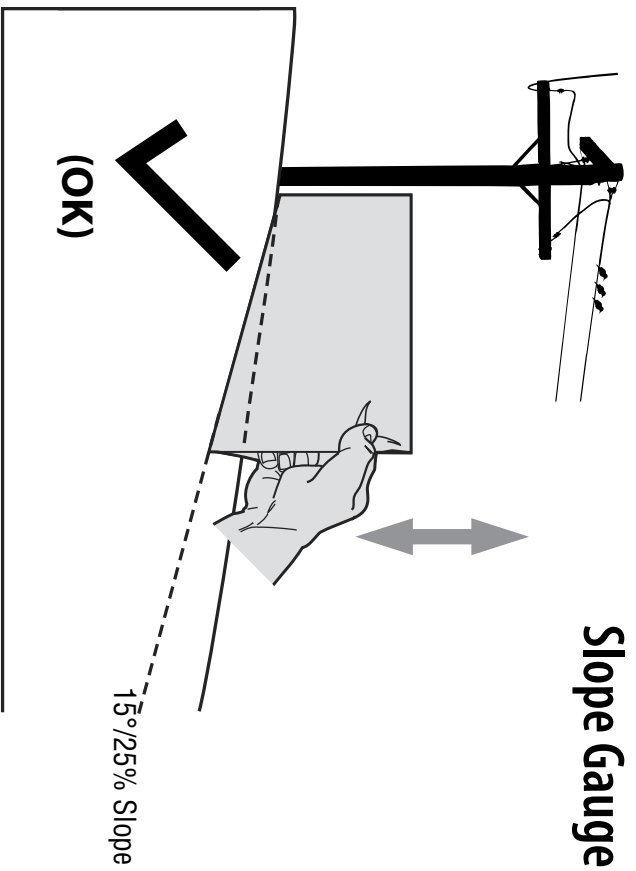


Figure 1

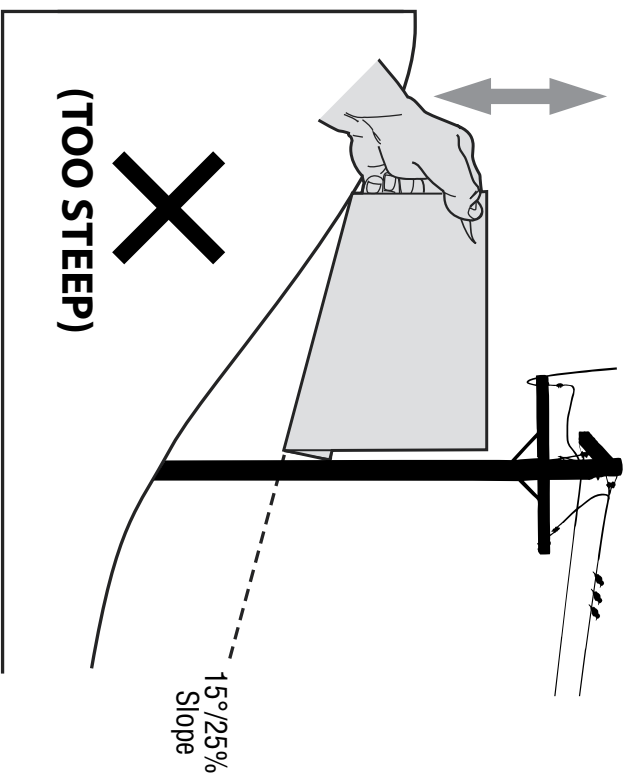


Figure 2

**USE THIS SLOPE GAUGE TO DETERMINE  
IF A SLOPE IS TOO STEEP FOR SAFE OPERATION!**

To check the slope, proceed as follows:

1. Remove this page and fold along the dashed line.
2. Locate a vertical object on or behind the slope (e.g. a pole, building, fence, tree, etc.)
3. Align either side of the slope gauge with the object (See Figure 1 and Figure 2).
4. Adjust gauge up or down until the left corner touches the slope (See Figure 1 and Figure 2).
5. If there is a gap below the gauge, the slope is too steep for safe operation (See Figure 2 above).

15°/25% dashed line

**⚠ WARNING**

Slopes are a major factor related to slip and fall accidents which can result in severe injury or death. All slopes require extra caution. If you feel uneasy on the slope, do not mow it. Do not mow on slopes greater than 15 degrees (25%). Only mow across slopes, never mow up and down slopes.

# ASSEMBLY

**IMPORTANT:** This mower is shipped without gasoline or oil in the engine. Be certain to service engine with gasoline and oil as instructed in the Operation section of the Engine Manual before starting or operating your mower.

**NOTE:** Reference to right and left hand side of the Lawn Mower is observed from the operating position.

## Unpacking

### Opening Carton

1. Cut each corner of the carton vertically from top to bottom.
2. Remove all loose parts:
  - Grass Catcher
  - Engine Oil
3. Remove loose packing material.

### Removing Mower From Carton

1. Lift mower from the rear to detach it from underlying carton material and roll mower out of carton.
2. Check carton thoroughly for any other loose parts.

## Assembly

### Attaching The Handle

1. Remove any packing material which may be between upper and lower handles.
2. Turn the handle adjustment levers to the unlocked position to lift the handle. See Figure 1.
3. Place the handle into one of the three handle height positions, low (a), medium (b) or high (c), located on the handle brackets. See Figure 2.
4. Turn the handle adjustment levers to the locked position to secure the handle.
5. The rope guide is attached to the right side of the upper handle. Loosen the wing knob (a) which secures the rope guide. See Figure 3.

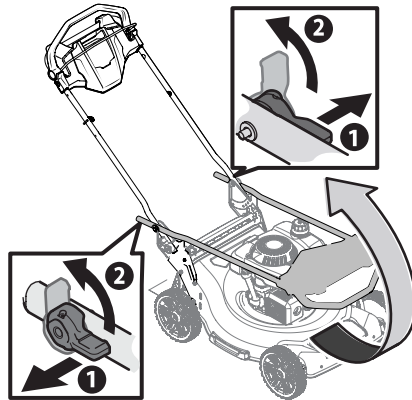


Figure 1

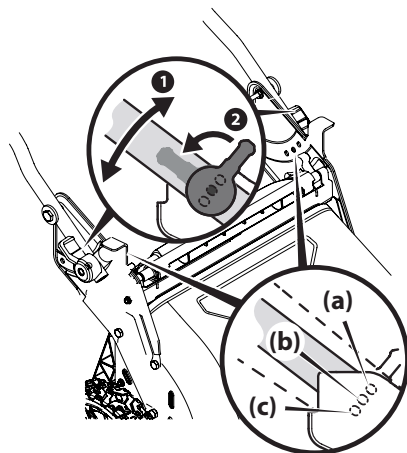


Figure 2

- a. Hold blade control against upper handle.
- b. Slowly pull recoil starter rope handle from engine and slip starter rope into the rope guide.
- c. Tighten rope guide wing knob (a).

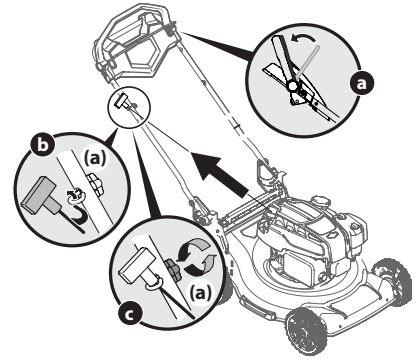


Figure 3

**IMPORTANT:** To reduce wear and allow for proper operation, make sure to leave some slack in the upper portion of the cables.

### Attaching the Grass Catcher

1. Follow steps below to assemble the grass catcher. Make certain bag is turned right side out before assembling (warning label will be on the outside). See Figure 4.
  - a. Place bag over frame so that its black plastic side is at the bottom.
  - b. Slip plastic channel of grass bag over hooks on the frame.
2. Follow steps below to attach grass catcher. See Figure 5.
  - a. Lift mower rear discharge door.
  - b. Remove the mulch plug.
  - c. Place grass catcher into the slots in the handle brackets. Let go of discharge door so that it rests on the grass catcher.

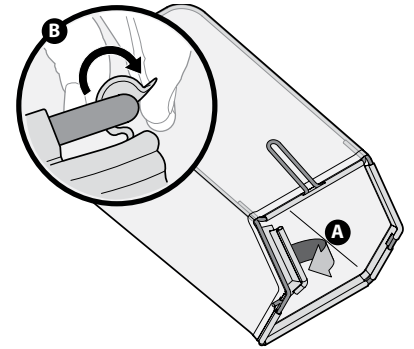


Figure 4

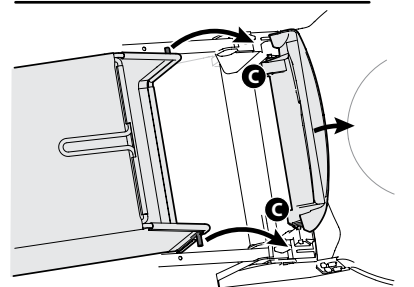
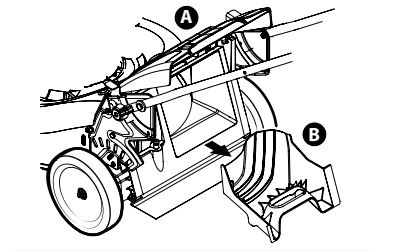


Figure 5

**NOTE:** To remove grass catcher reverse STEP 2. Lift mower rear discharge door. Lift grass catcher up and off the slots in the handle brackets. Reinstall the mulch plug and lower the rear discharge door.



# ADJUSTMENTS

## Adjustments

### Cutting Height

There are two cutting height adjustment configurations. Refer to the section applicable to your mower.

#### Single Lever

The single lever cutting height adjustment is located above the rear left wheel. See Figure 6.

1. Carefully pull the height adjustment lever outward towards wheel (mower will tend to fall when lever is moved outward).
2. Move lever to desired position for a change in cutting height.
3. Release lever towards deck.

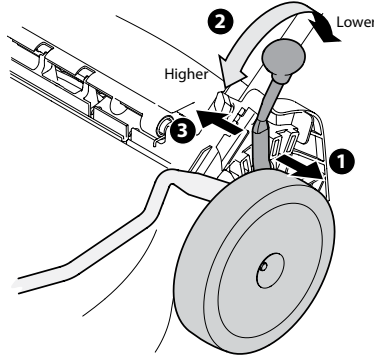


Figure 6

#### Dual Lever

The dual lever cutting height adjustment levers are located above the front and rear left wheel. See Figure 7.

1. Carefully pull the height adjustment lever outward towards wheel (mower will tend to fall when lever is moved outward).
- NOTE:** The front and rear height adjustment levers move in the opposite direction to adjust.
2. Move lever to desired position for a change in cutting height.
3. Release lever towards deck.

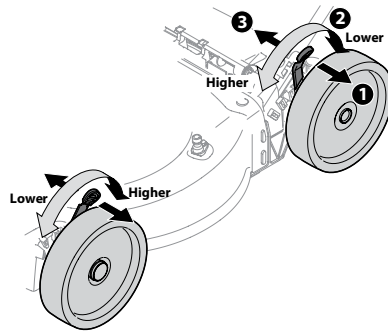


Figure 7

**IMPORTANT:** All wheels must be placed in the same position. For rough or uneven lawns, move each height adjustment lever to a higher position. This will prevent you from cutting the grass too close to the ground.

### Handle Pitch

For convenience of operation, you may adjust the pitch of the handle as follows:

1. Turn the handle adjustment levers to the unlocked position to lift the handle. See Figure 8.
2. Place the handle into one of the three handle height positions, low (a), medium (b) or high (c), located on the handle brackets.
3. Turn the handle adjustment levers to the locked position to secure the handle.

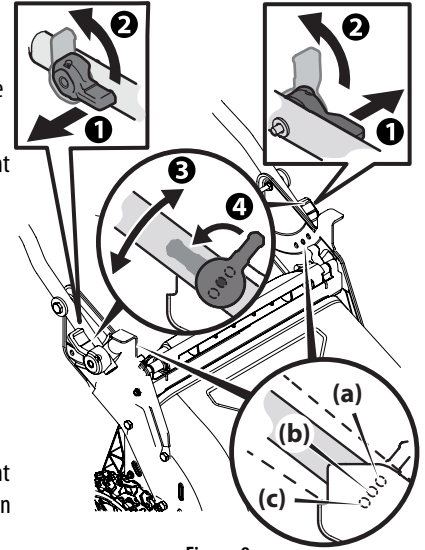


Figure 8

**NOTE:** A fourth handle height position (d) is used for storing the mower with the handle in the upright position. See Figure 9.

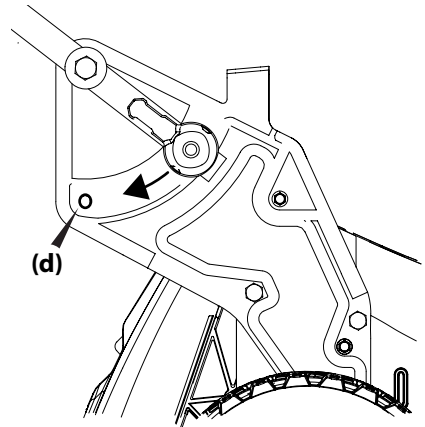


Figure 9

# OPERATION

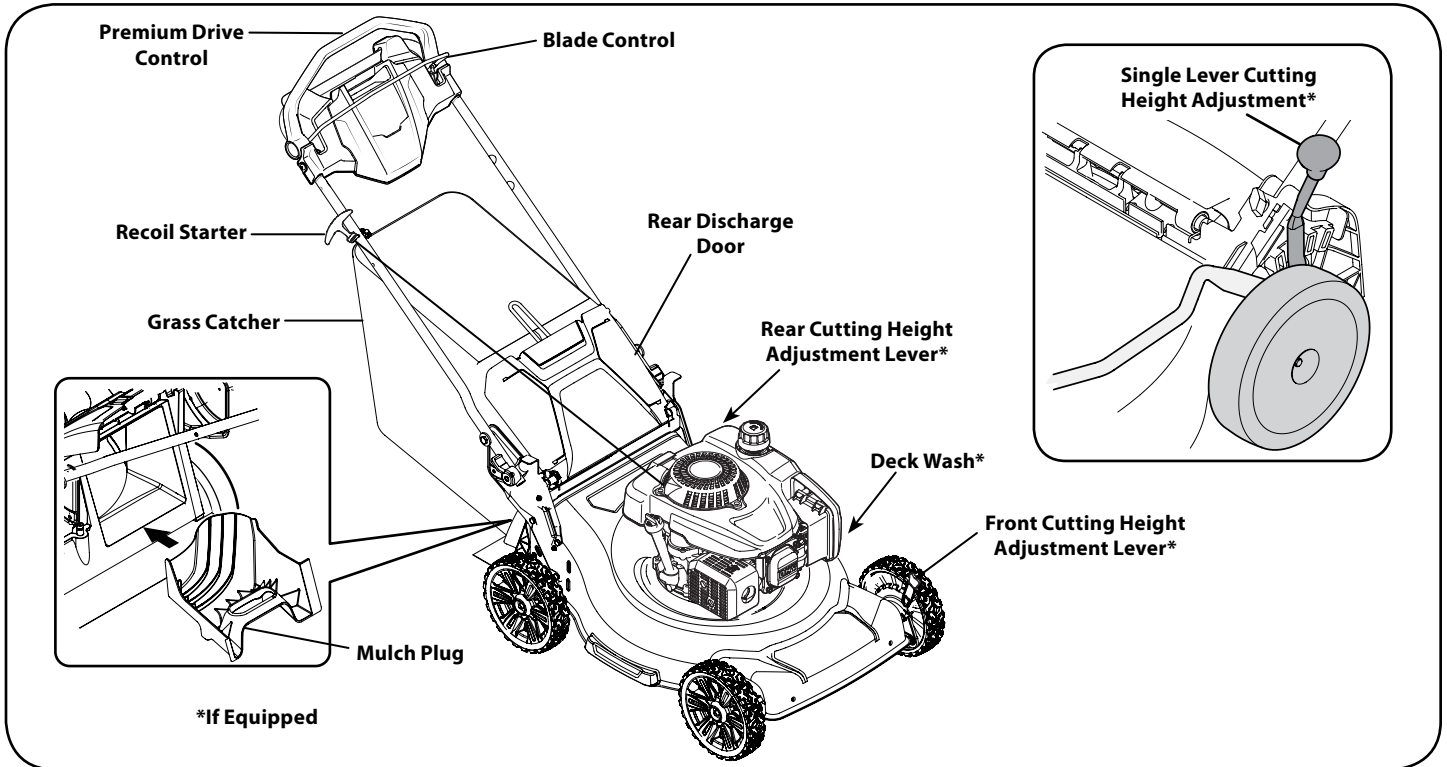


Figure 10

## Blade Control

The blade control is attached to the upper handle of the mower. Depress and squeeze it against the upper handle to operate the mower. Release it to stop engine and blade.

### ⚠ WARNING

This blade control is a safety device. Never attempt to bypass its operation.

## Premium Drive Control

The premium drive control is located on the upper handle and is used to engage the drive. Pushing the control forward will engage the drive. The farther the control is pushed forward, the faster the mower will propel. Once pressure is released from the control it will return to the neutral position and the drive will be disengaged.

## Cutting Height Adjustment Lever

There are three cutting height adjustment configurations.

### Single Lever

The cutting height adjustment lever is located above the rear left wheel. To adjust the cutting height, refer to Cutting Height Adjustment on page 9.

### Dual Lever

The dual lever cutting height adjustment levers are located above the front and rear left wheels. To adjust the cutting height, refer to Cutting Height Adjustment on page 9.

## Grass Catcher

The grass catcher, located at the rear of the mower, is used to collect the grass clippings for disposal at another site. Once the bag is full, remove it up through the handles and empty it before any further mowing.

## Mulch Plug

The mulch plug is used for mulching purposes. Instead of collecting grass clippings in a grass catcher the mower has the option of recirculating the clippings back to the lawn. This is called mulching.

## Trail Shield

The trail shield is attached to the rear of the mower and is there to protect the operator from flying debris. Do not use the mower unless the shield is fully functional and in place.

## Recoil Starter

The recoil starter is attached to the right upper handle. Stand behind the mower and pull the recoil starter rope to start the mower.

## Oil Fill Cap/Dipstick

Refer to the Engine Operator's Manual packed with your mower for detailed oil filling, checking and changing instructions.

## Deck Wash (If Equipped)

Your mower's deck may be equipped with a fast attach deck wash nozzle on its surface as part of its deck wash system. Use the deck wash to rinse grass clippings from the deck's underside.

# OPERATION

## GAS AND OIL FILL-UP

**IMPORTANT:** Refer to the separate Engine Operator's Manual for additional engine information.

This mower is shipped without gasoline or oil in the engine. Be certain to service engine with gasoline and oil as instructed before starting or operating your lawn mower.

1. Add provided oil before starting mower for the first time as instructed in the separate Engine Operator's Manual.
2. Service the engine with gasoline as instructed in the separate Engine Operator's Manual.

### ⚠ WARNING

Be sure no one other than the operator is standing near the lawn mower while starting engine or operating mower. Never run engine indoors or in enclosed, poorly ventilated areas. Engine exhaust contains carbon monoxide, an odorless and deadly gas. Keep hands, feet, hair and loose clothing away from any moving parts on engine and lawn mower.

## To Start Engine

Refer to the Engine Operator's Manual for instructions on starting and stopping the engine.

## To Stop Engine

Release blade control to stop the engine and blade.

### ⚠ WARNING

Wait for the blade to stop completely before performing any work on the mower or to remove the grass catcher.

## Using Your Lawn Mower

Be sure lawn is clear of stones, sticks, wire, or other objects which could damage lawn mower or engine. Such objects could be thrown by the blade in any direction and cause serious personal injury to the operator and helpers.

1. Once the engine is running and while continuing to hold the blade and drive controls together, push the drive control forward to propel mower. The farther the control is pushed forward, the faster the mower will propel. See Figure 11.
2. Once pressure is released from the drive control it will return to the neutral position and the mower will stop.

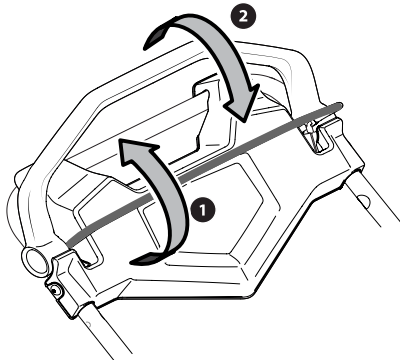


Figure 11

**NOTE:** For ease of use, while gripping the controls, simply lock your wrist and elbows and walk - the mower will automatically adjust to your speed.

### ⚠ WARNING

The operation of any lawn mower can result in foreign objects being thrown into the eyes, which can damage your eyes severely. Always wear safety glasses while operating the mower, or while performing any adjustments or repairs.

## Using Mower as a Mulcher

For mulching grass, remove the grass catcher from the mower. When you remove the grass catcher from the mower, ensure the mulch plug (if equipped) is installed and allow the rear discharge door to close completely. For effective mulching, do not cut wet grass. If the grass has been allowed to grow in excess of four inches, mulching is not recommended. Use the grass catcher to collect clippings instead.

## Using Mower with Grass Catcher

You can use the grass catcher to collect clippings while you are operating the mower.

1. Attach grass catcher following instructions in the Assembly section. Grass clippings will automatically collect in bag. Operate mower until grass bag is full.
2. Stop engine by releasing the blade control. Make sure that the engine has come to a complete stop.
3. Lift rear discharge door and pull grass bag up and away from the mower to remove the bag. Dispose of the grass clippings and reinstall the bag when complete.

### ⚠ WARNING

If you strike a foreign object, stop the engine. Disconnect the spark plug wire, thoroughly inspect mower for any damage, and repair damage before restarting and operating. Extensive vibration of mower during operation is an indication of damage. The mower should be promptly inspected and repaired.

# SERVICE AND MAINTENANCE

## MAINTENANCE SCHEDULE

### ⚠ WARNING

Before performing any type of maintenance/service, disengage all controls and stop the engine. Wait until all moving parts have come to a complete stop. Allow the engine to cool. Disconnect spark plug wire and ground it against the engine to prevent unintended starting.

Follow the maintenance schedule given below. This chart describes service guidelines for the mower only. Use the Service Log column to keep track of completed maintenance tasks. To locate the nearest Service Center or to schedule service, contact your dealer or see the service/warranty supplement packed with the mower.

IMPORTANT: See the Engine Operator's manual packed with the mower for engine specific service and maintenance schedule.

|   | Each use | Annually | Before Storage | Service Log |
|---|----------|----------|----------------|-------------|
| Check engine oil level  | ✓        |          |                |             |
| Check that all hardware is in place & secure and tight  | ✓        | ✓        |                |             |
| Clean grass, chaff and/or accumulated debris from around the engine, exhaust and the top of the mower.        | ✓        |          |                |             |
| Check blade stopping time is within 3 seconds   | ✓        |          |                |             |
| Lube control linkages/pivots and wheels with light oil  |          | ✓        |                |             |
| Clean underside of mower deck   |          | ✓        |                |             |
| Check mower blade and engine mounting bolt torque*  |          | ✓        |                |             |
| Run engine until it stops from lack of fuel, or add stabilizer to a full tank of fresh fuel prior to storage. |          |          | ✓              |             |

\*Mower blade bolt torque: Min. 37.5 ft-lbs (50.8 N-m), Max. 50.0 ft-lbs (67.8 N-m). Engine mounting bolt torque: Min. 29.2 ft-lbs (39.6 N-m), Max. 41.7 ft-lbs (56.3 N-m).

## TROUBLESHOOTING

### ⚠ WARNING

Disconnect the spark plug wire and ground it against the engine to prevent unintended starting. Before performing any type of maintenance/service, disengage all controls and stop the engine. Wait until all moving parts have come to a complete stop. Always wear safety glasses during operation or while performing any adjustments or repairs.

| Problem                      | Cause  | Remedy  |
|------------------------------|--|---|
| Engine fails to start        | <ol style="list-style-type: none"> <li>1. Blade control disengaged.</li> <li>2. Spark plug boot disconnected.</li> <li>3. Fuel tank empty or stale fuel.</li> <li>4. Engine not primed (If equipped with primer).</li> <li>5. Faulty spark plug.</li> <li>6. Engine flooded.</li> <li>7. Blocked fuel line.</li> </ol> | <ol style="list-style-type: none"> <li>1. Engage blade control.</li> <li>2. Connect wire to spark boot.</li> <li>3. Fill tank with clean, fresh gasoline.</li> <li>4. Prime engine as instructed in the Operation section.</li> <li>5. Clean, adjust gap, or replace.</li> <li>6. Wait a few minutes to restart.</li> <li>7. Contact your Parts &amp; Repair Center to have fuel line cleaned.</li> </ol> |
| Engine runs erratic          | <ol style="list-style-type: none"> <li>1. Spark plug boot loose.</li> <li>2. Stale fuel.</li> <li>3. Vent in gas cap plugged.</li> <li>4. Water or dirt in fuel system.</li> <li>5. Dirty air cleaner.</li> <li>6. Blocked fuel line.</li> </ol>   | <ol style="list-style-type: none"> <li>1. Connect and tighten spark plug boot.</li> <li>2. Fill tank with clean, fresh gasoline.</li> <li>3. Clear vent.</li> <li>4. Run engine until it stops from lack of fuel. Refill with fresh fuel.</li> <li>5. Refer to Air Cleaner Maintenance in the Engine Manual.</li> <li>6. Contact your Parts &amp; Repair Center to have fuel line cleaned.</li> </ol>     |
| Engine overheats             | <ol style="list-style-type: none"> <li>1. Engine oil level low.</li> <li>2. Air flow restricted.</li> </ol>  | <ol style="list-style-type: none"> <li>1. Fill crankcase with proper oil.</li> <li>2. Clean area around and on top of engine.</li> </ol>  |
| Occasional skips (hesitates) | <ol style="list-style-type: none"> <li>1. Spark plug gap too close.</li> </ol>   | <ol style="list-style-type: none"> <li>1. Adjust gap. Refer to Spark Plug Maintenance in Engine Manual.</li> </ol>  |
| Idles poorly                 | <ol style="list-style-type: none"> <li>1. Spark plug fouled, faulty, or gap too wide.</li> <li>2. Dirty air cleaner.</li> </ol>  | <ol style="list-style-type: none"> <li>1. Reset gap or replace spark plug.</li> <li>2. Refer to Air Cleaner Maintenance in the Engine Manual.</li> </ol>  |

# SERVICE AND MAINTENANCE

| Problem                    | Cause  | Remedy   |
|----------------------------|--|--|
| Excessive vibration        | <ol style="list-style-type: none"> <li>1. Cutting blade loose or unbalanced.</li> <li>2. Bent cutting blade.</li> </ol>  | <ol style="list-style-type: none"> <li>1. Tighten blade and adapter. Balance blade.</li> <li>2. Replace blade.</li> </ol>  |
| Mower will not mulch grass | <ol style="list-style-type: none"> <li>1. Wet grass.</li> <li>2. Excessively high grass.</li> <li>3. Dull blade.</li> </ol>                                      | <ol style="list-style-type: none"> <li>1. Do not mow when grass is wet; wait until later to cut.</li> <li>2. Mow once at a high cutting height, then mow again at desired height or make a narrower cutting path.</li> <li>3. Sharpen or replace blade.</li> </ol>                       |
| Uneven cut                 | <ol style="list-style-type: none"> <li>1. Wheels not positioned correctly.</li> <li>2. Dull blade.</li> </ol>  | <ol style="list-style-type: none"> <li>1. Adjust cutting height lever on right front and right rear wheel to same position.</li> <li>2. Sharpen or replace blade.</li> </ol>   |
| Mower will not self propel | <ol style="list-style-type: none"> <li>1. Belt not installed properly.</li> <li>2. Debris clogging drive operation.</li> <li>3. Damaged or worn belt.</li> </ol> | <ol style="list-style-type: none"> <li>1. Check belt for proper pulley installation and movement.</li> <li>2. Stop engine, disconnect spark plug boot, and clean out debris.</li> <li>3. Inspect and, if necessary, see your Parts &amp; Repair Center to have belt replaced.</li> </ol> |

## General Recommendations

- Always observe safety rules when performing any maintenance.
- The warranty on this lawn mower does not cover items that have been subjected to operator abuse or negligence. To receive full value from warranty, operator must maintain the mower as instructed here.
- Changing of engine-governed speed will void engine warranty.

## Lubrication

### Blade Control

Lubricate pivot points on the blade control at least once a season with light oil. This control must operate freely in both directions. See Figure 12.

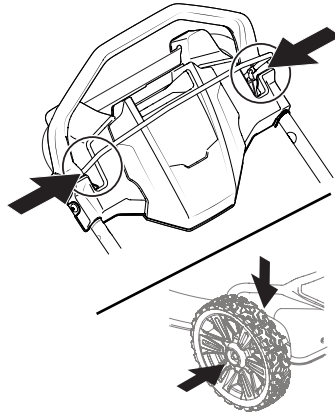


Figure 12

### Wheels

Lubricate all wheel hubs/axles at least once a season with light oil. See Figure 12.

## Engine Maintenance

Refer to the Engine Operator's Manual packed with your mower for a detailed description of all engine-related service specifications.

### Clean Engine

- Daily or before every use, clean grass, chaff or accumulated debris from engine. Keep linkage, spring, and controls clean. Keep area around and behind muffler free of any combustible debris.
- Keeping engine clean allows air movement around engine.
- Engine parts should be kept clean to reduce the risk of overheating and ignition of accumulated debris.

### ⚠ CAUTION

Do not use water to clean engine parts. Water could contaminate fuel system. Use a brush or dry cloth.

## Mower Maintenance

### Deck Wash (If Equipped)

Your mower's deck may be equipped with a deck wash system. Use the deck wash to rinse grass clippings from the deck's underside and prevent the buildup of corrosive chemicals. Complete the following steps AFTER EACH MOWING:

1. Push the mower to a level, clear location on your lawn. Ensure your garden hose can reach your mower.

### ⚠ CAUTION

Make certain the mower's discharge chute is directed AWAY from your house, garage, parked cars, etc.

2. Remove the fast attach deck wash nozzle from the mower deck and thread it onto the end of your garden hose.
3. Attach garden hose with the deck wash nozzle to the water port on your deck's surface. See Figure 13.
4. Turn the water ON.
5. Start the engine as described in the Engine Operator's Manual.
6. Run the engine for a minimum of two minutes, allowing the underside of the cutting deck to thoroughly rinse.
7. Release blade control to stop the engine and blade.
8. Turn the water OFF and detach the deck wash nozzle from the water port on your deck's surface.
9. After cleaning your deck, restart the mower. Keep the engine and blade running for a minimum of two minutes, allowing the underside of the cutting deck to thoroughly dry.

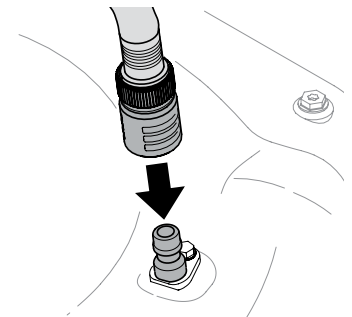


Figure 13

# SERVICE AND MAINTENANCE

## Deck Cleaning

At least once a season clean the underside of the mower deck to prevent build-up of grass clippings or other debris.

1. Allow the engine to run until it is out of fuel. Do not attempt to pour fuel from the engine. Disconnect spark plug wire. Refer to Engine Operator's Manual.
2. Turn mower on its side keeping the muffler side down and making sure that the air filter and the carburetor are facing up. Hold mower firmly.
3. Scrape and clean the underside of the deck with a suitable tool. Do not spray with water.

**IMPORTANT:** Do not use a pressure washer or garden hose to clean your mower. These may cause damage to bearings, or the engine. The use of water will result in shortened life and reduce serviceability.

4. Put the mower back on its wheels on the ground.

## Drive Adjustment

The drive system consists of pulleys, a belt, and a cable linking the transmission to the drive control. As these components wear, adjustment may be needed. To adjust the drive perform the following:

1. Weak drive. See Figure 14 -
  - a. Loosen jam nut (a).
  - b. Thread adjustment nut (b) down, towards the mower base to lengthen the drive cable.
  - c. Securely tighten jam nut.
2. Drive control is tight or difficult to pull back. See Figure 15 -
  - a. Loosen jam nut (a).
  - b. Thread adjustment nut (b) up, towards the handle to shorten the drive cable.
  - c. Securely tighten jam nut.

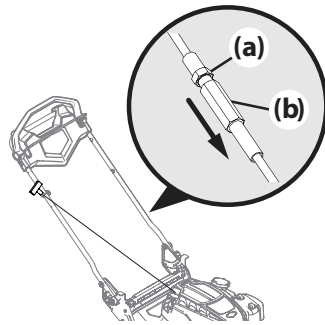


Figure 14

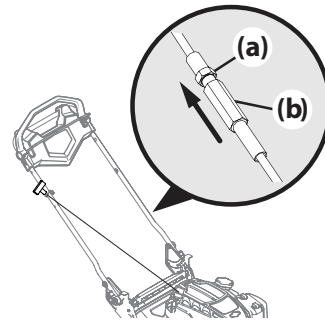


Figure 15

## Blade Care

### ⚠ WARNING

When removing the cutting blade for sharpening or replacement, protect your hands with a pair of heavy gloves or use a heavy rag to hold the blade.

Periodically inspect the blade adapter for cracks, especially if you strike a foreign object. Replace when necessary. Follow the steps below for blade service.

1. Allow the engine to run until it is out of fuel. Do not attempt to pour fuel from the engine.
2. Disconnect spark plug wire. Refer to Engine Operator's Manual.
3. Turn mower on its side keeping the muffler side down and making sure that the air filter and the carburetor are facing up.
4. Remove bolt (a) and blade bell support (b) which hold the blade and the blade adapter to the engine crankshaft. See Figure 16.
5. Remove blade (c) and adapter (d) from the crankshaft. See Figure 16.

6. Remove blade from the adapter for testing balance.
  - a. Balance the blade on a round shaft screwdriver to check.
  - b. Remove metal from the heavy side until it balances evenly.

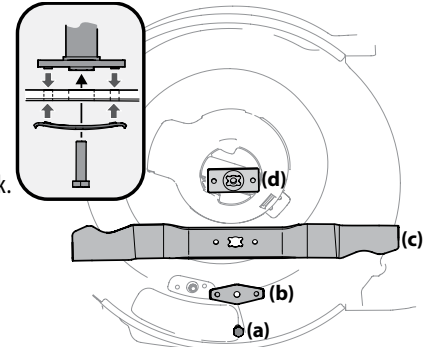


Figure 16

**NOTE:** When sharpening the blade, follow the original angle of grind.

Grind each cutting edge equally to keep the blade balanced.

### ⚠ WARNING

An unbalanced blade will cause excessive vibration when rotating at high speeds. It may cause damage to engine and blade could break causing personal injury.

7. Lubricate the engine crankshaft and the inner surface of the blade adapter with light oil. See Figure 16 inset.
  - a. Slide the blade adapter (d) onto the engine crankshaft.
  - b. Place the blade on the adapter such that the side of the blade marked "Grass Side" (or with part number) faces the ground when the mower is in the operating position.
  - c. Make sure that the blade is aligned and seated on the blade adapter flanges.
8. Place blade bell support (b) on the blade (c). Align notches on the blade bell support with small holes in blade.
9. Replace hex bolt (a) and tighten hex bolt to torque: Min. 37.5 ft-lbs (50.8 N-m), Max. 50.0 ft-lbs (67.8 N-m).

**NOTE:** To ensure safe operation of your mower, periodically check the blade bolt for correct torque.

## Belt Care

**NOTE:** Several components must be removed in order to change the mower's self-propulsion drive belt. See an authorized Service Center to have your belt replaced.

## Off-Season Storage

The following steps should be taken to prepare your lawn mower for storage.

- Clean and lubricate mower thoroughly as described in Lubrication section on page 13.
- Apply a coat of chassis grease to mower's cutting blade to prevent rusting.
- Refer to Engine Operator's Manual for correct engine storage instructions.
- Do not use a pressure washer to clean your mower.
- Store mower in a dry, clean area. Do not store next to corrosive materials, such as fertilizer.

When storing any type of power equipment in a poorly ventilated or metal storage shed, care should be taken to rust-proof the equipment. Using a light oil or silicone, coat the equipment, especially cables and all moving parts of your lawn mower before storage.

# MANUAL DEL OPERADOR

## Cortadora de césped autopropulsada Transmisión de rueda trasera Modelo Series Q y R

### Registro de información de producto

Antes de configurar y hacer funcionar su nueva cortadora de césped, por favor localice la placa de modelo en el equipo y registre la información en el espacio de la derecha. Encontrará la placa de modelo parándose en la posición del operador y mirando sobre la parte posterior de la plataforma. Necesitará esta información si tiene que solicitar soporte técnico a través de nuestro sitio web, el Servicio de Atención al Cliente, o de un distribuidor local de servicio autorizado.

### NÚMERO DE MODELO

|  |  |  |  |  |  |  |  |  |  |  |  |
|--|--|--|--|--|--|--|--|--|--|--|--|
|  |  |  |  |  |  |  |  |  |  |  |  |
|--|--|--|--|--|--|--|--|--|--|--|--|

### NÚMERO DE SERIE

|  |  |  |  |  |  |  |  |  |  |  |  |
|--|--|--|--|--|--|--|--|--|--|--|--|
|  |  |  |  |  |  |  |  |  |  |  |  |
|--|--|--|--|--|--|--|--|--|--|--|--|

### Índice

|   |    |                                       |  |
|---|----|---------------------------------------|--|
| <i>Prácticas de operación seguras</i> ..... | 16 | <i>Servicio y Mantenimiento</i> ..... | 26   |
| <i>Montaje</i> .....                        | 22 | <i>Solución de Problemas</i> .....    | 26   |
| <i>Ajustes</i> .....                        | 23 | <i>Piezas/Garantía</i> .....          | Consulte el suplemento que se adjunta por separado |
| <i>Funcionamiento</i> .....                 | 24 |                                       |  |

### ADVERTENCIA

Lea y cumpla todas las normas de seguridad y las instrucciones de este manual antes de intentar operar esta máquina. Si no sigue estas instrucciones, se pueden provocar lesiones personales - GUARDE ESTAS INSTRUCCIONES.

### ADVERTENCIA

#### PROPOSICIÓN 65 DE CALIFORNIA

El escape del motor de este producto, algunos de sus componentes y algunos componentes del vehículo contienen o liberan sustancias químicas que el estado de California considera que pueden producir cáncer, defectos de nacimiento u otros problemas reproductivos.

**NOTA:** Este manual del operador corresponde a varios modelos. Las características pueden variar según los modelos. No todas las características que se incluyen en este manual se aplican a todos los modelos y el modelo que se ilustra aquí puede diferir del suyo.

# PRÁCTICAS DE OPERACIÓN SEGURAS

## ⚠️ ADVERTENCIA



Este símbolo indica instrucciones de seguridad importantes que, de no seguirse, podría poner en peligro su seguridad personal y/o material y la de otras personas. Lea y cumpla todas las instrucciones de este manual antes de intentar hacer funcionar esta máquina. Si no sigue estas instrucciones, se pueden provocar lesiones personales. Cuando vea este símbolo. **TENGA EN CUENTA LA ADVERTENCIA.**

## ⚠️ PELIGRO

Esta máquina está diseñada para ser utilizada respetando las medidas de seguridad contenidas en este manual. Al igual que con cualquier tipo de equipo motorizado, un descuido o error por parte del operador puede producir lesiones graves. Esta máquina es capaz de amputar dedos, manos y pies y de arrojar residuos. De no respetar las instrucciones de seguridad siguientes, se pueden ocasionar lesiones graves o la muerte.

## Información general

1. Lea, entienda y cumpla todas las instrucciones que figuran sobre la cortadora de césped y en los manuales antes de intentar armar la unidad y utilizarla. Guarde este manual en un lugar seguro para consultas futuras y periódicas, así como para solicitar repuestos.
2. Familiarícese con todos los controles y su correcto funcionamiento.
3. No permita nunca que los niños menores de 14 años utilicen esta cortadora de césped. Los niños de 14 años en adelante deben leer y entender las instrucciones y las normas de seguridad contenidas en este manual y sobre la cortadora de césped, y deben ser entrenados y supervisados por un adulto.
4. Nunca permita que los adultos operen esta cortadora de césped sin recibir antes la instrucción apropiada.
5. Si se presentan situaciones que no están previstas en este manual, tenga cuidado y use el sentido común. Póngase en contacto con su representante de atención al cliente para obtener ayuda.
6. De conformidad con la Comisión de Seguridad de Productos para el Consumidor de los Estados Unidos (CPSC) y la Agencia de Protección Ambiental de los Estados Unidos (EPA), este producto tiene una vida útil estimada de siete (7) años, en condiciones normales de uso. Al final de su vida útil, se deberá solicitar una inspección del producto anualmente a fin de asegurarse de que todos los sistemas mecánicos y de seguridad funcionen adecuadamente, de manera segura y no estén excesivamente desgastados. Si no lo hace, puede ocasionar accidentes, lesiones o la muerte.

## Preparativos anteriores al uso

1. Revise minuciosamente el área donde se va a usar la cortadora de césped. Saque todas las piedras, palos, cables, huesos, juguetes y otros objetos extraños con los que podría tropezar o que podrían ser arrojados por la cuchilla. Los objetos arrojados por la máquina pueden producir lesiones personales graves.

2. Para evitar lesiones por contacto con la cuchilla o un objeto arrojado, permanezca en la zona del operador detrás de las manijas de la cortadora. Indique a los asistentes que permanezcan al menos a 75 pies (23 metros) de la cortadora mientras está en funcionamiento. Mantenga a los observadores, los niños y las mascotas en interiores durante el funcionamiento de la cortadora de césped. Detenga la cortadora si alguien entra en la zona.
3. Esté atento a la cortadora de césped y a la dirección de la descarga de los aditamentos y no apunte con ella en dirección a nadie.
4. Para protegerse los ojos, utilice siempre anteojos o antiparras de seguridad durante la operación o mientras realiza ajustes o reparaciones. Los objetos arrojados que rebotan pueden producir lesiones graves en los ojos.
5. Utilice zapatos de trabajo resistentes, de suela fuerte, y pantalones y camisas ajustados. Las ropas sueltas, las alhajas y el cabello largo pueden engancharse en las piezas móviles. Se recomienda vestir camisas y pantalones que cubren brazos y piernas y usar zapatos con puntera de acero.
6. Nunca opere la cortadora descalzo, con sandalias, zapatos resbalosos o livianos (por ej. de lona).
7. Nunca llene en exceso el depósito de combustible. Llene el depósito no más de 1" (2.5 cm) por debajo de la base del cuello de llenado dejando espacio para la expansión del combustible.
8. Vuelva a colocar la tapa de la gasolina y ajústela bien.
9. Use sólo implementos o accesorios que el fabricante haya aprobado para esta cortadora de césped. Lea, comprenda y siga todas las instrucciones incluidas con el accesorio o implemento aprobado.

## Funcionamiento

1. Las estadísticas indican que los operadores mayores de 65 años se ven involucrados en un alto porcentaje de lesiones relacionadas con cortadoras de césped. Estas personas deben evaluar su capacidad para operar la cortadora de césped de manera suficientemente segura para protegerse a sí mismos y a otros de lesiones graves.
2. Muchas lesiones ocurren como resultado de pasar la cortadora sobre los pies durante una caída provocada al patinarse o tropezarse. No se sostenga de la cortadora si se está cayendo, suelte la manija inmediatamente.



## PRÁCTICAS DE OPERACIÓN SEGURAS

3. Nunca tire la cortadora hacia usted mientras camina. Si debe retroceder con la cortadora para evitar una pared u obstáculo, mire primero abajo y atrás para evitar tropezarse y luego siga estos pasos:
  - a. Apártese de la cortadora hasta estirar completamente los brazos.
  - b. Asegúrese que tiene buen equilibrio y está bien parado.
  - c. Jale la cortadora lentamente hacia usted, no más de la mitad de la distancia entre usted y la cortadora.
  - d. Repita estos pasos si hace falta.
4. No engrane el control de la transmisión (si viene incluido) mientras enciende el motor.
5. El mecanismo de control de la cuchilla es un dispositivo de seguridad. Nunca intente anular su funcionamiento. De hacerlo, dejarían de operar los dispositivos de seguridad y podrían producirse lesiones personales por el contacto con la cuchilla giratoria. El control de la cuchilla debe funcionar bien en ambas direcciones y regresar automáticamente a la posición desengranada cuando se lo suelta. La cuchilla continúa rotando por hasta tres segundos después de que se suelta el control de la cuchilla. Nunca coloque ninguna parte del cuerpo en el área de la cuchilla hasta que esté seguro que la cuchilla ha dejado de girar.
6. Si la cortadora de césped comienza a vibrar de forma extraña, detenga el motor y busque inmediatamente la causa. La vibración generalmente advierte que hay algún problema.
7. Nunca opere la cortadora sin los escudos apropiados, la cubierta de descarga, el colector de césped, el control de la cuchilla u otros dispositivos de seguridad y protección en su lugar y funcionando. Nunca opere la cortadora si los dispositivos de seguridad están dañados. De lo contrario podrían producirse lesiones personales.
8. Para encender el motor, jale de la cuerda lentamente hasta que sienta resistencia, luego jale rápidamente. El repliegue rápido de la cuerda de arranque (retroceso o rebote) le jalará la mano y el brazo hacia el motor más rápido de lo que usted tarda en soltarla. Puede llegar a causar huesos rotos, fracturas, hematomas y esguinces.
9. No ponga las manos ni los pies cerca de las piezas rotatorias ni debajo de la plataforma de corte. El contacto con la(s) cuchilla(s) puede amputar manos y pies.
10. Esté atento a los hoyos, surcos, baches, rocas, u otros objetos ocultos. Los terrenos desnivelados u objetos ocultos pueden causar derrapes y/o caídas. El césped alto puede ocultar obstáculos.
11. La cortadora está diseñada para cortar césped residencial normal, con una altura no mayor a 7" (17.5 cm). No intente cortar césped demasiado crecido, seco (como un pastizal) ni pilas de hojas secas.
12. Planifique el patrón de corte, para evitar que la descarga de material se realice hacia los caminos, las veredas, los asistentes, etc. Evite descargar material contra una pared u obstrucción, ya que esto podría hacer que el material descargado rebotara contra el operador.
13. Apague el motor y espere hasta que la cuchilla se detenga completamente antes de retirar el colector de césped o de desbloquear el canal. La cuchilla continúa rotando por hasta tres segundos después de que se suelta el control de la cuchilla. Nunca coloque ninguna parte del cuerpo en el área de la cuchilla hasta que esté seguro que el motor está apagado y la cuchilla ha dejado de girar.
14. Una puerta de descarga, canal o adaptador para abono faltante o dañado puede provocar lesiones por contacto con la cuchilla o por objetos arrojados.
15. Nunca opere la cortadora de césped si no están bien colocados la puerta de descarga, el canal, adaptador para abono o el colector de césped completo.
16. Detenga la cuchilla de la cortadora de césped cuando cruce caminos o senderos de gravilla y cuando no esté cortando el césped.
17. Úsela solamente con luz natural o con buena luz artificial.
18. No opere la cortadora de césped máquina estando bajo los efectos del alcohol o de drogas.
19. El silenciador y el motor están a temperatura muy alta y pueden provocar lesiones graves por quemaduras. No los toque. Deje que se enfríe la cortadora de césped al menos durante cinco minutos antes de almacenarla o intentar cualquier tarea de mantenimiento.
20. Nunca haga funcionar un motor en interiores o en un área mal ventilada. El escape del motor contiene monóxido de carbono, un gas inodoro y letal.

### Niños

1. Se pueden producir accidentes trágicos si el operador no está alerta a la presencia de niños. Por lo general a los niños les atraen las cortadoras y la actividad de cortar el césped. Los niños no son conscientes de los peligros. Nunca asuma que los niños permanecerán donde los vio por última vez.
2. Mantenga a los observadores, los niños y las mascotas en interiores mientras la cortadora de césped está funcionando bajo la atenta supervisión de un adulto responsable que no sea el operador. Detenga la cortadora de césped si alguien entra en la zona.
3. Esté alerta y apague la cortadora si un niño u observador ingresa al área.
4. No permita nunca que los niños menores de 14 años utilicen esta cortadora de césped. Los niños de 14 años en adelante deben leer y entender las instrucciones y las normas de seguridad contenidas en este manual y sobre la cortadora de césped, y deben ser entrenados y supervisados por un adulto.
5. Esta cortadora de césped es un equipo motorizado, no un juguete. Por lo tanto, tenga mucho cuidado en todo momento. Esta cortadora de césped fue diseñada para realizar una sola tarea: cortar el césped. No la utilice para ningún otro fin.
6. Tenga mucho cuidado al aproximarse a esquinas ciegas, puertas, arbustos, árboles u otros objetos que puedan obstaculizarle la vista de un niño que pudiese correr al encuentro de la cortadora.

## PRÁCTICAS DE OPERACIÓN SEGURAS

- Mantenga a los niños alejados de los motores calientes o en funcionamiento. Pueden sufrir quemaduras al tocar un motor o silenciador caliente.
- Si su cortadora de césped viene equipada con una Llave Pulsadora de Encendido Eléctrico, quite la llave cuando deje sola la cortadora para evitar que una persona sin autorización la maneje. Asegúrese de que la llave quede fuera del alcance de los niños pequeños.
- Use sólo un recipiente de combustible (gasolina) portátil aprobado. Use sólo recipientes certificados por EPA, CARB y/u OSHA.
- Nunca saque la tapa del combustible ni agregue combustible mientras el motor está caliente o en marcha. Deje que el motor se enfríe por lo menos cinco minutos antes de volver a cargar combustible.
- Nunca cargue combustible a la cortadora de césped en interiores.
- Nunca guarde la cortadora de césped o el recipiente de combustible en un espacio cerrado donde haya fuego, chispas o luz piloto, como por ejemplo de calentadores de agua, calefactores de ambientes, hornos, secadores de ropa u otros aparatos a gas.

### Funcionamiento en Pendientes para Cortadoras de Empuje

- Las pendientes son un factor importante en los accidentes ocasionados por derrapes y caídas y pueden producir lesiones graves. Todas las pendientes requieren precaución extra. Si no se siente seguro en una pendiente, no corte el césped.
- Para su seguridad, mida las pendientes antes de usar la cortadora de césped en el lugar inclinado. Use un dispositivo de medición de pendientes además del indicador de pendiente que se incluye como parte de este manual para medir las pendientes antes de operar esta cortadora de césped en una zona inclinada o con pendientes. Para medir las pendientes, también se pueden usar aplicaciones de teléfonos inteligentes. Si la pendiente es de más de 15° (25%) como se muestra en el indicador de pendiente o un dispositivo de medición de pendientes, no haga funcionar esta cortadora de césped en ese sector o podría causar lesiones graves.
- No corte el césped en pendientes de más de 15° (25%).
- Siempre corte el césped de forma transversal a la pendiente, nunca hacia arriba y hacia abajo.
- La cortadora de césped podría acelerarse al colocarla cuesta abajo, siempre debe colocarla cuesta arriba. Mantenga siempre el control de la cortadora de césped.
- No corte el césped húmedo. Si no está firmemente parado, puede resbalarse.
- No opere la cortadora de césped en ninguna condición en la que se comprometan la tracción o estabilidad. Asegúrese siempre de estar bien afirmado. Si resbala y cae puede lesionarse gravemente. Si siente que pierde el equilibrio o deja de estar bien afirmado, suelte inmediatamente la manija de control de la cuchilla y la cuchilla dejará de girar en tres (3) segundos.
- Manténgase a por lo menos 3 pies (1 metro) de barrancos, zanjas o terraplenes o del borde del agua. Podría perder el equilibrio o dejar de estar bien afirmado.
- Limpiar el combustible que se pueda haber derramado sobre el motor y la cortadora de césped. Limpie los derrames de combustible o de aceite y elimine los residuos empapados con gasolina. Traslade la cortadora de césped a otra zona. Espere al menos 5 minutos antes de arrancar el motor.
- Para reducir el riesgo de incendio mantenga la cortadora de césped limpia de pasto, hojas y de acumulación de otros escombros. Siga el "Programa de Mantenimiento" que figura en la sección Servicio y Mantenimiento para mantener su cortadora de césped libre de residuos.
- Nunca llene en exceso el depósito de combustible. Llene el depósito no más de 1" (25 mm) por debajo de la base del cuello de llenado, para dejar espacio para la expansión del combustible.
- Vuelva a colocar la tapa de la gasolina y ajústela bien.
- Deje que la cortadora de césped se enfríe por lo menos cinco minutos antes de cargarle combustible o guardarla.
- Nunca llene los recipientes en el interior de un vehículo o camión o caja de remolque con un recubrimiento plástico. Siempre ubique los recipientes en el piso, lejos del vehículo antes de llenarlos.
- Cuando sea factible, retire el equipo a gasolina del camión o remolque y llénelo en el suelo. Si esto no es posible, recargue combustible sobre el remolque con un recipiente portátil, en lugar de una boquilla dosificadora de combustible.
- En todo momento, mantenga el pico en contacto con el borde del depósito de combustible o con la boca del recipiente, hasta terminar la carga. No utilice un dispositivo de bloqueo/apertura de boquilla.

### Servicio

- Para evitar lesiones personales o daños materiales sea sumamente cuidadoso al manipular la gasolina. La gasolina es sumamente inflamable y sus vapores son explosivos. Si se derrama gasolina encima o sobre la ropa se puede lesionar gravemente ya que se podría prender fuego. Lávese la piel y cámbiese de ropa de inmediato.
- Mantenga la cortadora de césped en buenas condiciones de funcionamiento. Reemplace las piezas dañadas o gastadas.
- Apague los cigarrillos, cigarros, pipas y toda otra fuente de combustión.

## PRÁCTICAS DE OPERACIÓN SEGURAS

- Para evitar lesiones graves o la muerte, no modifique el motor de ninguna manera. Si cambia la configuración del regulador, el motor podría funcionar a velocidades inseguras. Nunca modifique el ajuste de fábrica del regulador del motor. No cambie la configuración del regulador del motor ni acelere demasiado el motor. El regulador del motor controla la velocidad máxima de funcionamiento seguro del motor.
- Las cuchillas de la cortadora son filosas. Envuelva la cuchilla o utilice guantes y extreme las precauciones cuando les haga mantenimiento.
- Antes de limpiar, reparar o inspeccionar la máquina, compruebe que la cuchilla y todas las partes móviles se hayan detenido. Desconecte el cable de la bujía y póngalo haciendo tierra contra el motor para evitar que se encienda accidentalmente.
- Verifique que la cuchilla se haya detenido por completo dentro de los tres (3) segundos de operar el control de la cuchilla. Si la cuchilla no se detiene en menos de tres segundos, su cortadora de césped debe ser revisada por profesionales de un distribuidor de servicio autorizado. Consulte el funcionamiento correcto en el Programa de Mantenimiento que figura en la sección Servicio y Mantenimiento.
- Controle periódicamente el funcionamiento del sistema de interbloqueo de seguridad, tal como se describe más adelante en este manual. Si el sistema de interbloqueo de seguridad no funciona correctamente, lleve su cortadora de césped a hacerle un servicio profesional de un distribuidor autorizado.
- Nunca altere el interbloqueo de seguridad del control de la cuchilla u otros dispositivos de seguridad. Consulte el funcionamiento correcto en el Programa de Mantenimiento que figura en la sección Servicio y Mantenimiento.
- Controle el par de ajuste del perno de montaje del motor y cuchilla de la cortadora de césped acuerdo con el Programa de Mantenimiento que figura en la sección Servicio y Mantenimiento de este manual. Además, inspeccione visualmente la cuchilla en busca de daños (por ejemplo, desgaste excesivo, abolladuras, rajaduras). Reemplace la cuchilla únicamente por la cuchilla del fabricante del equipo original (O.E.M.)
- El uso de piezas de mantenimiento que no cumplen con las especificaciones del equipo original puede resultar en rendimiento inadecuado y poner en peligro la seguridad.
- Mantenga todas las tuercas, pernos y tornillos bien ajustados para asegurarse de que el equipo está en condiciones de funcionamiento seguras. Consulte el ajuste de todos los herrajes en el Programa de Mantenimiento que figura en la sección Servicio y Mantenimiento.
- Después de golpear algún objeto extraño, detenga el motor, desconecte los cables de la bujía y conéctelos a tierra con el motor. Inspeccione minuciosamente la cortadora de césped para determinar si está dañada. Repare el daño antes de volver a arrancar y operar la máquina.
- Nunca intente ajustar una rueda o la altura de corte ni efectuar reparaciones mientras el motor está en marcha.
- Los componentes del colector de césped y la cubierta de descarga están sujetos a desgaste y daños que podrían dejar expuestas piezas que se mueven o permitir que se arrojen objetos. Para proteger su seguridad, verifique frecuentemente los componentes y reemplácelos inmediatamente únicamente por piezas del fabricante del equipo original (O.E.M.) que se indican en este manual. "El uso de piezas que no cumplen con las especificaciones del equipo original podría producir un rendimiento inadecuado y además puede comprometer la seguridad".
- Mantenga o reemplace las etiquetas de seguridad e instrucciones según sea necesario.
- Respete las normas y reglamentaciones sobre la manera correcta de eliminar gasolina, aceite, etc. para proteger el medio ambiente.

### Aviso sobre las emisiones del motor

Los motores tienen la certificación de cumplimiento de las reglamentaciones sobre emisiones federales de EPA y California para SORE (equipo pequeño para uso fuera de carreteras), funcionan con gasolina normal sin plomo y pueden incluir los siguientes sistemas de control de emisiones: Modificación de motor (EM) y catalizador de tres vías (TWC) si están equipados con esos sistemas.

Cuando sea necesario, los modelos están equipados con líneas de combustible y depósitos de combustible de baja penetración para controlar las emisiones por evaporación. Los modelos de California también pueden incluir un filtro de carbono. Por favor, póngase en contacto con Atención al cliente para obtener información sobre la configuración del control de emisiones por evaporación para su modelo.

### Amortiguador de chispas

#### **⚠ ADVERTENCIA**

Esta cortadora de césped está equipada con un motor de combustión interna y no debe ser utilizada en o cerca de un terreno agreste cubierto por bosque, malezas o hierba excepto que el sistema de escape del motor esté equipado con un amortiguador de chispas que cumpla con las leyes locales o estatales correspondientes (en caso de existir).

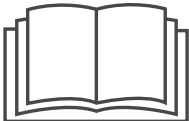






Si se utiliza un amortiguador de chispas el operador lo debe mantener en condiciones de uso adecuadas. En el Estado de California, las medidas anteriormente mencionadas son exigidas por ley (Artículo 4442 del Código de Recursos Públicos de California). Es posible que existan leyes similares en otros estados. Las leyes federales se aplican en territorios federales.

Puede conseguir el amortiguador de chispas para el silenciador a través de su distribuidor autorizado de motores más cercano o poniéndose en contacto con el departamento de servicios, P.O. Box 361131 Cleveland, Ohio 44136-0019.

## PRÁCTICAS DE OPERACIÓN SEGURAS

### SÍMBOLOS DE SEGURIDAD

En esta página, se presentan y describen los símbolos de seguridad que pueden aparecer en esta cortadora de césped. Lea, comprenda y siga todas las instrucciones que aparecen sobre la cortadora de césped antes de intentar armarla y hacerla funcionar.

| Símbolo   | Descripción   |
|---|---|
|    | <b>ADVERTENCIA – LEA LOS MANUALES DEL OPERADOR</b><br>Lea, comprenda y siga todas las normas y las instrucciones de seguridad que se incluyen en el manual y en la cortadora de césped antes de intentar utilizar esta cortadora de césped. Si no cumple con lo que indica esta información, se pueden provocar lesiones personales o la muerte. Conserve este manual en un lugar seguro para usarlo como referencia futura habitual.   |
|    | <b>PELIGRO — EVITE LESIONES DE AMPUTACIÓN</b><br>No ponga las manos ni los pies cerca o debajo de la plataforma de corte. El contacto con la cuchilla puede producir la amputación de manos y pies.   |
|    | <b>PELIGRO — EVITE LESIONES EN NIÑOS POR ATROPELLAR/CONTACTO CON LA CUCHILLA</b><br>No utilice la cortadora de césped cuando haya niños u otras personas alrededor. Para evitar lesiones por contacto con la cuchilla o un objeto arrojado, permanezca en la zona del operador detrás de las manijas de la cortadora. Indique a los asistentes que permanezcan al menos a 75 pies (23 metros) de la cortadora mientras está en funcionamiento. Mantenga a los observadores, los niños y las mascotas en interiores durante el funcionamiento de la cortadora de césped. Detenga la cortadora de césped si alguien entra en la zona. |
|   | <b>PELIGRO — EVITE LESIONES POR OBJETOS ARROJADOS</b><br>Indique a los asistentes que permanezcan al menos a 75' (23 metros) de la cortadora mientras está en funcionamiento. Saque todas las piedras, palos, cables, huesos, juguetes y demás objetos extraños que puedan ser recogidos y arrojados por la(s) cuchilla(s). Nunca opere la cortadora de césped si no está bien colocada la cubierta de descarga o el colector de césped completo.   |
|  | <b>PELIGRO — EVITE DERRAPES Y CAÍDAS EN PENDIENTES</b><br>Las pendientes son un factor importante en los accidentes ocasionados por derrapes y caídas y pueden producir lesiones graves. Todas las pendientes requieren precaución extra. Si no se siente seguro en una pendiente, no corte el césped. No corte el césped en pendientes de más de 15° (25%). Siempre corte el césped de forma transversal a la pendiente, nunca hacia arriba y hacia abajo.   |
|  | <b>ADVERTENCIA—LA GASOLINA ES INFLAMABLE</b><br>Deje que el motor se enfríe por lo menos cinco minutos antes de volver a cargar combustible.  |
|  | <b>ADVERTENCIA - EVITE QUEMADURAS</b><br>El silenciador y el motor están a temperatura muy alta y pueden provocar lesiones graves por quemaduras. No los toque. Deje que se enfríe la cortadora de césped al menos durante cinco minutos antes de almacenarla o intentar cualquier tarea de mantenimiento.  |

### ⚠ ADVERTENCIA

**Su responsabilidad:** Solo permita que usen esta máquina eléctrica las personas que lean, comprendan y respeten las advertencias e instrucciones que aparecen en este manual y en la máquina.

**¡GUARDE ESTAS INSTRUCCIONES!**

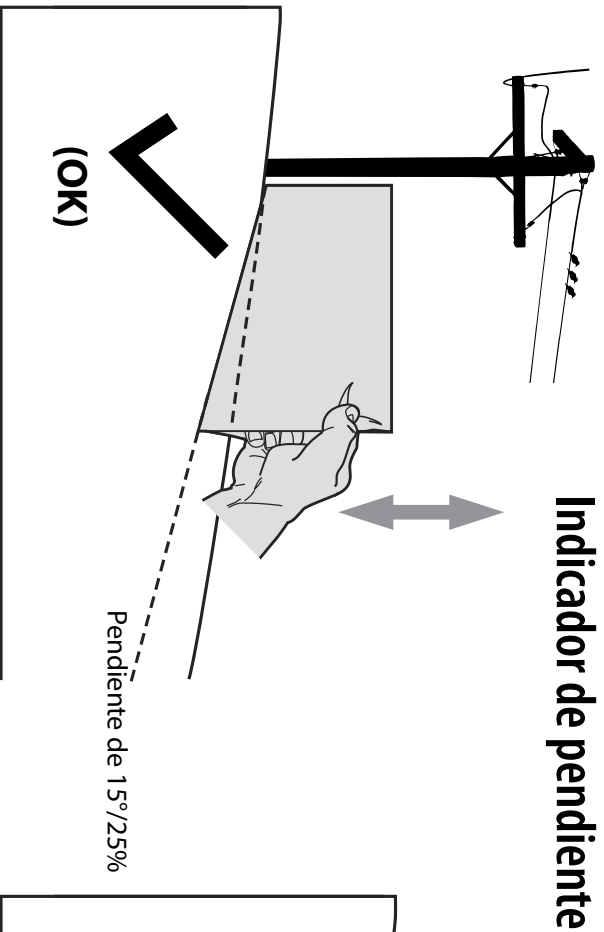


Figura 1

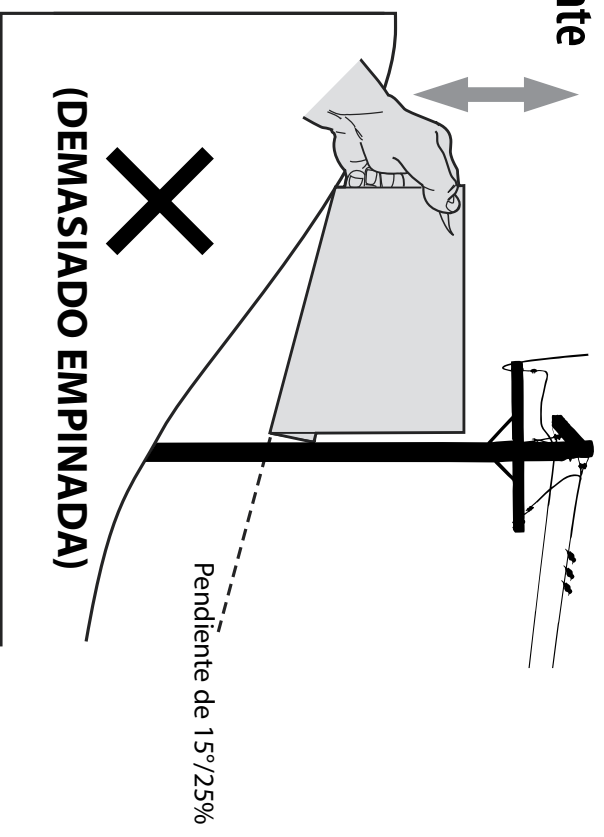
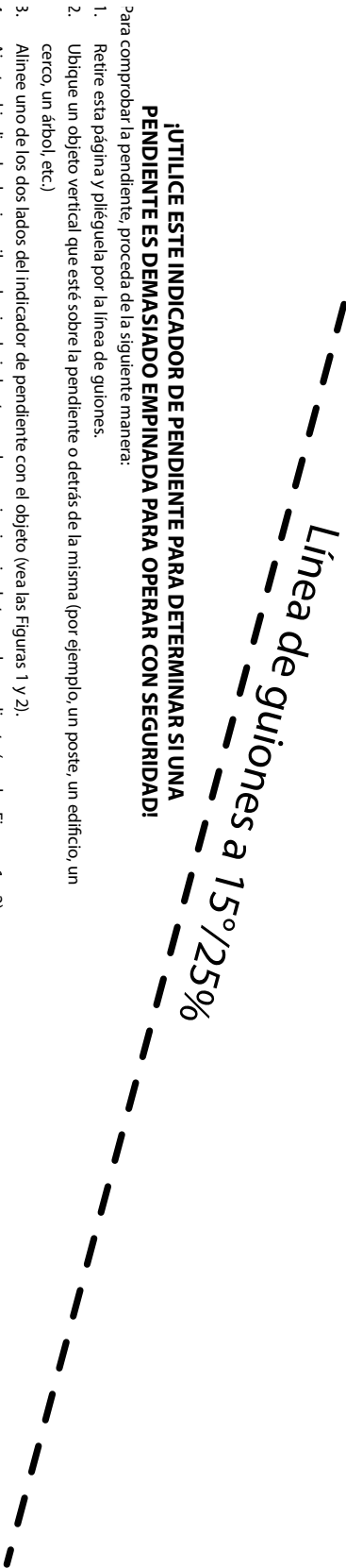


Figura 2

**¡UTILICE ESTE INDICADOR DE PENDIENTE PARA DETERMINAR SI UNA PENDIENTE ES DEMASIADO EMPINADA PARA OPERAR CON SEGURIDAD!**

Para comprobar la pendiente, proceda de la siguiente manera:

1. Retire esta página y pliéguela por la línea de guiones.
2. Ubique un objeto vertical que esté sobre la pendiente o detrás de la misma (por ejemplo, un poste, un edificio, un cerco, un árbol, etc.)
3. Alinee uno de los lados del indicador de pendiente con el objeto (vea las Figuras 1 y 2).
4. Ajuste el indicador hacia arriba o hacia abajo hasta que la esquina izquierda toque la pendiente (vea las Figuras 1 y 2).
5. Si hay una separación debajo del indicador, la pendiente es demasiado empinada para operar con seguridad (vea la Figura 2 anterior).



**⚠️ ADVERTENCIA**

Las pendientes son un factor importante en los accidentes ocasionados por derrapes y caídas y pueden producir lesiones graves. Todas las pendientes requieren precaución extra. Si no se siente seguro en una pendiente, no corte el césped. No corte el césped en pendientes de más de 15° (25%). Siempre corte el césped de forma transversal a la pendiente, nunca hacia arriba y hacia abajo.

# MONTAJE

**IMPORTANTE:** Esta cortadora de césped se envía sin gasolina ni aceite en el motor. Antes de poner en marcha u operar su cortadora de césped, asegúrese de cargar el motor con gasolina y aceite como se indica en la sección Funcionamiento del manual del motor.

**NOTA:** Las referencias a los lados derecho e izquierdo de la cortadora de césped se hacen observando la máquina desde la posición de operación.

## Desempaque

### Apertura de la caja de cartón

1. Corte cada una de las esquinas de la caja verticalmente, de la parte superior a la base.
2. Saque todas las piezas sueltas:
  - Colector de césped
  - Aceite del motor
3. Quite el material de empaque suelto.

### Retiro de la cortadora de césped de la caja

1. Eleve la cortadora de césped desde la parte posterior para separarla del material de la caja que quede debajo y haga rodar la cortadora de césped fuera de la caja.
2. Verifique cuidadosamente si en la caja queda alguna parte suelta.

## Montaje

### Montaje de la manija

1. Retire el material de empaque que pudiera estar entre las manijas superior e inferior.
2. Gire las palancas de ajuste de la manija hasta la posición de destrabe para levantar la manija. Consulte la Figura 1.
3. Coloque la manija en una de las tres posiciones de altura, baja (a), mediana (b) o alta (c), que se encuentran en los soportes de la manija. Consulte la Figura 2.
4. Gire las palancas de ajuste de la manija hasta la posición de traba para levantar la manija.
5. La guía de la cuerda está unida al costado derecho de la manija superior. Afloje la perilla de aleta (a) que sujeta la guía de la cuerda. Consulte la Figura 3.

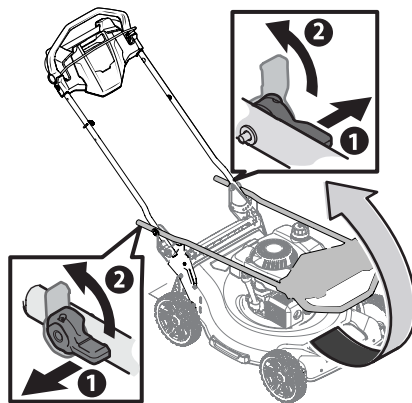


Figura 1

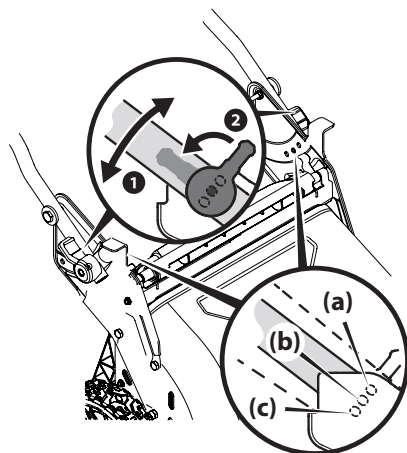


Figura 2

- a. Sostenga el control de la cuchilla contra la manija superior.
- b. Lentamente tire de la manija de la cuerda de arranque y deslice la cuerda de arranque en la guía de la cuerda.
- c. Ajuste la perilla de aleta de la guía de la cuerda (a).

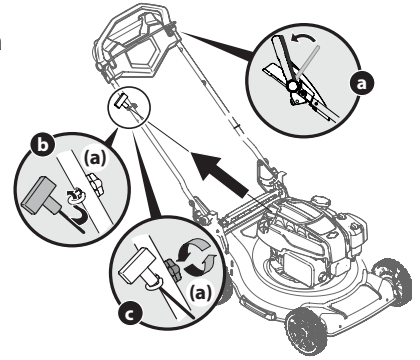


Figura 3

**IMPORTANTE:** Para reducir el desgaste y permitir la operación adecuada, asegúrese de dejar un poco de holgura en la porción superior de los cables.

### Acople el colector de césped

1. Siga los pasos a continuación para ensamblar el colector de césped. Asegúrese que la bolsa para recortes está con el lado derecho hacia afuera antes de ensamblar (la etiqueta de advertencia estará hacia afuera). Consulte la Figura 4.

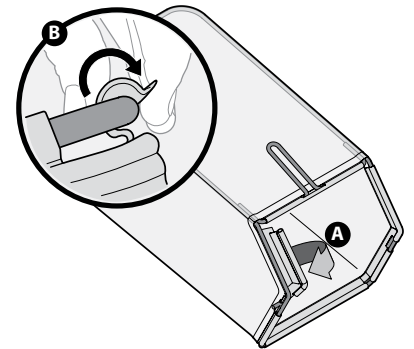
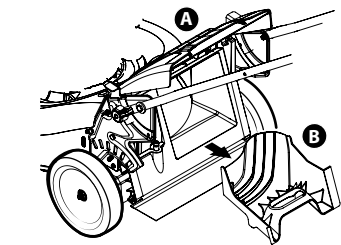


Figura 4

- a. Coloque la bolsa sobre el marco de modo que el lado de plástico negro quede en el fondo.
- b. Deslice el canal plástico de la bolsa de césped sobre los ganchos en el marco.



2. Siga los pasos a continuación para ensamblar el colector de césped. Consulte la Figura 5.

- a. Levante la puerta de descarga trasera de la cortadora.
- b. Quite el adaptador para abono.
- c. Coloque el colector de césped dentro de las ranuras de los soportes de la manija. Suelte la puerta de descarga de modo que descansa sobre el colector de césped.

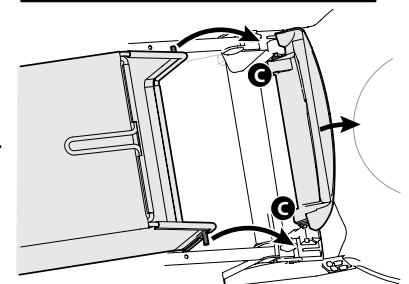


Figura 5

**NOTA:** Para quitar el colector de césped invierta el PASO 2. Levante la puerta de descarga trasera de la cortadora. Levante el colector de césped hacia afuera de las ranuras en los soportes de la manija. Vuelva a instalar el adaptador para abono y baje la puerta de descarga trasera.

## Ajustes

### Altura de corte

Hay dos configuraciones de ajuste de la altura de corte. Consulte la sección correspondiente a su cortadora de césped.

#### Palanca única

El ajuste de altura de corte de palanca única se ubica por encima de la rueda izquierda trasera. Consulte la Figura 6.

1. Tire cuidadosamente de la palanca de ajuste de altura hacia afuera en dirección a la rueda (la cortadora de césped tenderá a caer cuando se mueve la palanca hacia afuera).
2. Mueva la palanca a la posición deseada para cambiar la altura de corte.
3. Libere la palanca hacia la cubierta.

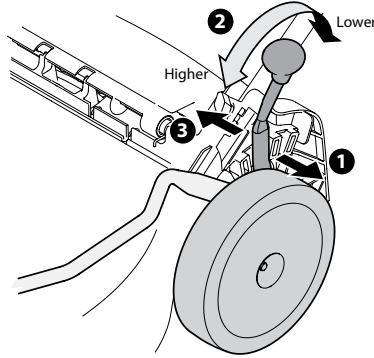


Figura 6

#### Doble palanca

Las palancas de ajuste de altura de corte de doble palanca están ubicadas por encima de la rueda izquierda delantera y trasera. Consulte la Figura 7.

1. Tire cuidadosamente de la palanca de ajuste de altura hacia afuera en dirección a la rueda (la cortadora de césped tenderá a caer cuando se mueve la palanca hacia afuera).

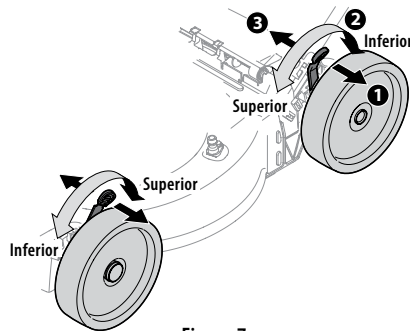


Figura 7

**NOTA:** Las palancas de ajuste de altura delanteras y traseras se mueven en la dirección opuesta para realizar el ajuste.

2. Mueva la palanca a la posición deseada para cambiar la altura de corte.
3. Libere la palanca hacia la cubierta.

**IMPORTANTE:** Todas las ruedas deben ser colocadas en la misma posición. Cuando el terreno es agreste o irregular, mueva la palanca de ajuste de la altura a una posición más alta. Esto evitará que corte el césped demasiado cerca del suelo.

### Inclinación de la manija

Para conveniencia de funcionamiento, usted puede ajustar la inclinación de la manija como sigue:

1. Gire las palancas de ajuste de la manija hasta la posición de destrabe para levantar la manija. See Consulte la Figura 8.
2. Coloque la manija en una de las tres posiciones de altura, baja (a), mediana (b) o alta (c), que se encuentran en los soportes de la manija.
3. Gire las palancas de ajuste de la manija hasta la posición de traba para asegurar la manija.

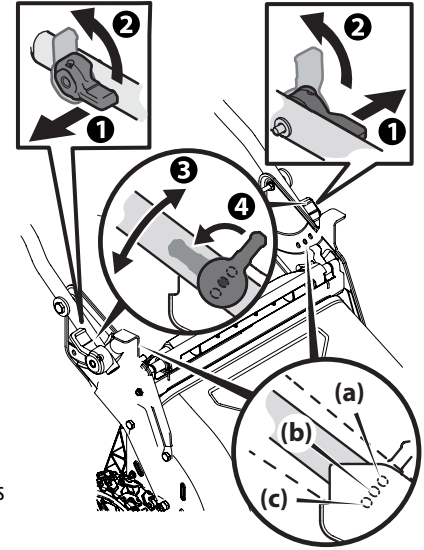


Figura 8

**NOTA:** Una carta posición de altura de la manija (d) se usa para guardar la cortadora de césped con la manija en posición vertical. Consulte la Figura 9.

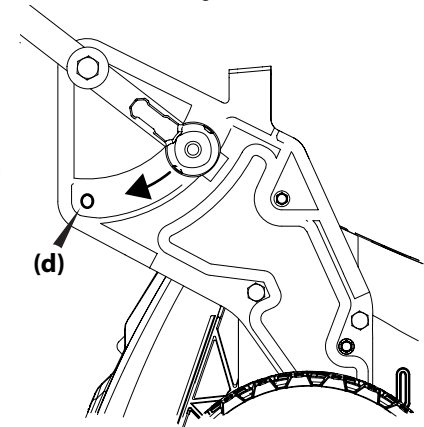


Figura 9

# FUNCIONAMIENTO

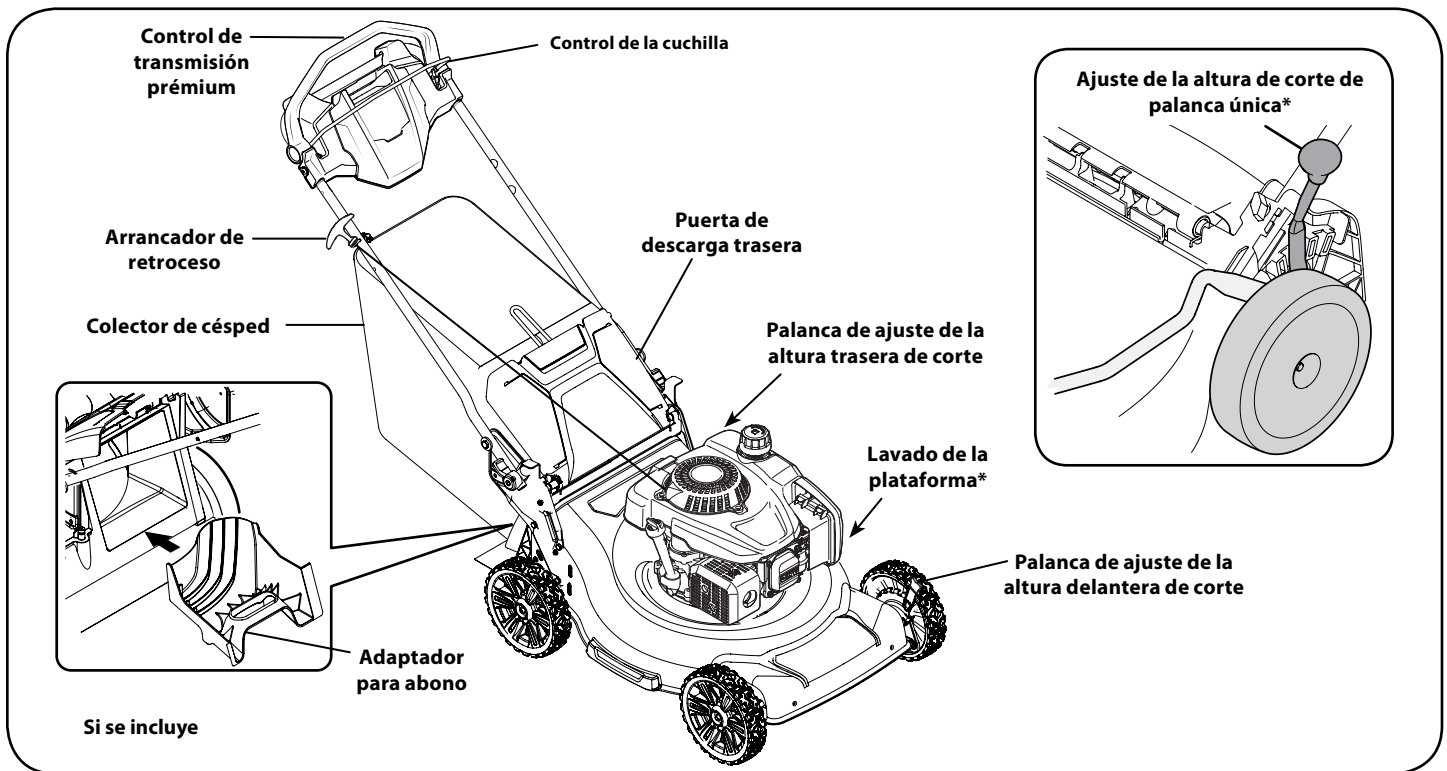


Figura 10

## Control de la cuchilla

El control de la cuchilla está unido a la manija superior de la cortadora. Presione el control de la cuchilla contra la manija superior para operar la cortadora de césped. Suéltelo para detener el motor y la cuchilla.

### ⚠ ADVERTENCIA

El control de la cuchilla es un dispositivo de seguridad. Nunca intente anular su funcionamiento.

## Control de transmisión prémium

El control de transmisión prémium se encuentra ubicado en la manija superior y se utiliza para activar la transmisión. Al empujar el control hacia adelante, la transmisión quedará activada. Cuanto más lejos se empuje el control hacia adelante, más rápido avanzará la cortadora. Cuando se libera la presión del control, éste volverá a la posición neutra y la transmisión se desactivará.

## Palanca de ajuste de la altura de corte

Hay tres configuraciones de ajuste de la altura de corte.

### Palanca única

La palanca de ajuste de altura de corte se ubica por encima de la rueda izquierda trasera. Para ajustar la altura de corte, consulte el Ajuste de la altura de corte en la página 9.

### Doble palanca

Las palancas de ajuste de altura de corte de doble palanca están ubicadas por encima de la rueda izquierda delantera y trasera. Para ajustar la altura de corte, consulte el Ajuste de la altura de corte en la página 23.

## Colector de césped

El colector de césped, ubicado en la parte trasera de la cortadora, se usa para embolsar los recortes del césped para desecharlos. Cuando se llena la bolsa, retírela a través de las manijas y vacíela antes de seguir cortando.

## Adaptador para abono

El adaptador para abono se utiliza únicamente para propósitos de abono. En lugar de recolectar los recortes de césped en el colector de césped, la cortadora tiene la opción de recircular los cortes y enviarlos nuevamente al césped. Esto se llama abonar.

## Escudo posterior

El escudo posterior se adjunta a la parte trasera de la cortadora para proteger al operador contra los desechos expulsados. No utilice la cortadora de césped a menos que el escudo esté en buen estado e instalado.

## Arrancador de retroceso

El arrancador de retroceso está unido a la manija superior derecha. Para encender la cortadora, párese detrás de la misma y tire de la cuerda del arrancador de retroceso.

## Tapón de llenado de aceite/varilla de medición del nivel de aceite

Consulte el manual del operador del motor entregado con su cortadora para obtener instrucciones detalladas para el llenado, el control y la carga de aceite.

## Sistema de lavado de plataforma (si está incluido)

La plataforma de su cortadora puede estar equipada con un pico de lavado de plataforma de sujeción rápida como parte del sistema de lavado de plataforma. Utilice el sistema de lavado de plataforma para quitar los recortes de césped de la parte inferior de la plataforma.



## LLENADO DE GASOLINA Y ACEITE

**IMPORTANTE:** consulte en el Manual del operador del motor información adicional sobre el motor.

Esta cortadora de césped se envía sin gasolina ni aceite en el motor. Antes de poner en marcha u operar su cortadora de césped, asegúrese de cargar el motor con gasolina y aceite como se indica.

1. Agregue el aceite provisto antes de arrancar la cortadora de césped la primera vez, como se indica en el Manual del operador del motor.
2. Llene el motor con gasolina como se indica en el Manual del operador del motor.

### ⚠ ADVERTENCIA

Asegúrese que ninguna persona aparte del operador permanezca cerca de la cortadora de césped mientras arranca el motor u opera la misma. Nunca encienda el motor en espacios cerrados o en una zona con poca ventilación. El escape del motor contiene monóxido de carbono, un gas inodoro y letal. Mantenga las manos, los pies, el cabello y la ropa suelta alejados de las partes móviles del motor y de la cortadora.

## Para encender el motor

Consulte el Manual del Operador del motor para obtener instrucciones sobre cómo arrancar y parar el motor.

## Para detener el motor

Suelte la manija de control de la cuchilla para detener el motor y la cuchilla.

### ⚠ ADVERTENCIA

Espere a que la cuchilla se haya detenido por completo antes de hacer cualquier trabajo en la cortadora o de retirar el colector de césped.

## Uso de la cortadora de césped

Asegúrese de que el césped está libre de piedras, palos, cables u otros objetos que pudiesen dañar la cortadora o el motor. Dichos objetos pueden ser arrojados accidentalmente por la cuchilla en cualquier dirección y provocar lesiones personales graves al operador y asistentes.

1. Una vez que el motor esté funcionando y mientras mantiene juntos los controles de la transmisión y la cuchilla, empuje el control de la transmisión hacia adelante para propulsar la cortadora. Cuanto más lejos se empuje el control hacia adelante, más rápido avanzará la cortadora. Consulte la Figura 11.

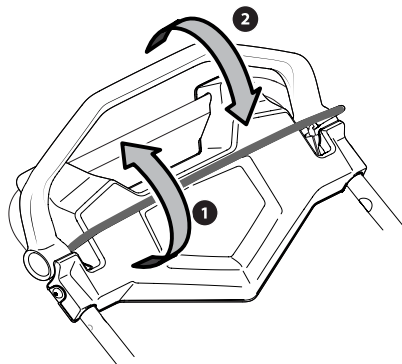


Figura 11

2. Cuando se libera la presión del control de la transmisión, éste volverá a la posición neutra y la cortadora se detendrá.

**NOTA:** para facilitar el uso, mientras sujeta los controles, simplemente trabe su muñeca y sus codos y camine - la cortadora se ajustará automáticamente a su velocidad.

### ⚠ ADVERTENCIA

Al hacer funcionar la cortadora de césped puede ser que se arrojen objetos extraños a los ojos, lo cual puede dañarlos gravemente. Utilice siempre anteojos de seguridad durante la operación de la cortadora o mientras la ajusta o repara.

## Uso de la cortadora como abonadora

Para abonar el césped, quite el colector de césped de la cortadora. Cuando quite el colector de césped de la cortadora, asegúrese de que el adaptador para abono (en cuenta con este elemento) esté instalado y permita que se cierre por completo la puerta de descarga trasera. Para un abono eficiente, no corte césped húmedo. Si el césped ha crecido más de cuatro pulgadas, no se recomienda el uso de abono. En ese caso, use el colector de césped para embolsar los recortes.

## Uso de la cortadora de césped como colector de césped

Puede utilizar el colector de césped para recoger recortes mientras opera la cortadora.

1. Acople el colector de césped siguiendo las instrucciones de la sección de Montaje. Los recortes de césped son recolectados en la bolsa de forma automática. Opere la cortadora hasta que la bolsa de recolección esté llena.
2. Detenga el motor soltando la manija de control de la cuchilla. Compruebe que el motor se haya detenido por completo.
3. Para retirar la bolsa, levante la puerta de descarga trasera y tire de la bolsa de recolección hacia arriba, apartándola de la cortadora. Deseche los recortes de césped y vuelva a colocar la bolsa cuando haya terminado.

### ⚠ ADVERTENCIA

Si golpea un objeto extraño, detenga el motor. Desconecte el cable de la bujía, inspeccione detenidamente la cortadora para ver si hay daños, y repare el daño antes de volver a encenderla y hacerla funcionar. El exceso de vibración de la cortadora durante el funcionamiento es una indicación de daño. Se debe inspeccionar y reparar la cortadora lo antes posible.

# SERVICIO Y MANTENIMIENTO


## PROGRAMA DE MANTENIMIENTO

### ⚠ ADVERTENCIA

Antes de realizar cualquier tipo de mantenimiento o servicio, desactive todos los controles y detenga el motor. Espere a que se detengan completamente todas las piezas móviles. Deje que el motor se enfríe. Desconecte el cable de la bujía y póngalo haciendo masa contra el motor para evitar que se encienda accidentalmente.

Siga el cronograma de mantenimiento que se presenta a continuación. En esta tabla se describen pautas de servicio sólo para la cortadora de césped. Utilice la columna Registro de Servicio para hacer el seguimiento de las tareas de mantenimiento completadas. Para localizar el Centro de Servicio más cercano o programar un servicio contáctese con su distribuidor o consulte el suplemento de servicio/garantía que viene con la cortadora.

IMPORTANTE: Consulte el Manual del Operador del Motor que viene con la cortadora para ver programas específicos de servicio y mantenimiento de motor.

|  | Cada uso | Anualmente | Antes de almacenar | Registro de servicio  |
|--|----------|------------|--------------------|---|
| Revise el nivel de aceite del motor  | ✓        |            |                    |   |
| Compruebe que todos los herrajes están en su lugar y asegurados  | ✓        | ✓          |                    |   |
| Limpie los recortes de césped, la grasa y/o la suciedad acumulada alrededor del motor, escape y la parte superior de la cortadora.                                   | ✓        |            |                    |   |
| Compruebe que el tiempo de detención de la cuchilla esté en 3 segundos   | ✓        |            |                    |   |
| Lubrique los varillajes/pivotes y las ruedas con aceite ligero   |          | ✓          |                    |   |
| Limpie la parte inferior de la plataforma de la cortadora  |          | ✓          |                    |   |
| Compruebe el torque del perno de montaje de la cuchilla y el motor de la cortadora   |          | ✓          |                    |   |
| Haga funcionar el motor hasta que se detenga por falta de combustible o agregue el estabilizador en el depósito lleno de combustible nuevo antes del almacenamiento. |          |            | ✓                  |  |

\*Torque del perno de la cuchilla de la cortadora: Mín. 37.5 pies-libras (50.8 N-m), Máx. 50.0 pies-libras (67.8 N-m). Torque del perno de montaje del motor: Mín. 29.2 pies-libras (39.6 N-m), Máx. 41.7 pies-libras (56.3 N-m).

## SOLUCIÓN DE PROBLEMAS

### ⚠ ADVERTENCIA

Desconecte el cable de la bujía y póngalo haciendo masa contra el motor para evitar que se encienda accidentalmente. Antes de realizar cualquier tipo de mantenimiento o servicio, desactive todos los controles y detenga el motor. Espere a que se detengan completamente todas las piezas móviles. Utilice siempre anteojos de seguridad durante el funcionamiento o mientras ajusta o repara este equipo.

| Problema                                 | Causa   | Solución  |
|--|---|---|
| El motor no arranca                      | <ol style="list-style-type: none"> <li>Control de la cuchilla desenganchado.</li> <li>Se ha desconectado el capuchón de la bujía.</li> <li>El depósito de combustible está vacío o el combustible se ha echado a perder.</li> <li>El motor no está cebado (si está equipado con cebador).</li> <li>La bujía no funciona correctamente.</li> <li>Motor ahogado.</li> <li>La línea del combustible está bloqueada.</li> </ol> | <ol style="list-style-type: none"> <li>Engrane el control de la cuchilla.</li> <li>Conecte el cable al capuchón de la bujía.</li> <li>Llene el tanque con gasolina limpia y nueva.</li> <li>Cebe el motor tal como se explicó en la sección Funcionamiento.</li> <li>Límpiala, ajuste la separación, o cambie la bujía.</li> <li>Espere unos minutos para reencender.</li> <li>Contacte con su centro de piezas y reparaciones para que limpien la línea de combustible.</li> </ol>               |
| El funcionamiento del motor es irregular | <ol style="list-style-type: none"> <li>El capuchón de la bujía está flojo.</li> <li>El combustible se echó a perder.</li> <li>La ventilación en la tapa del combustible está obstruida.</li> <li>Hay agua o suciedad en el sistema de combustible.</li> <li>El depurador de aire está sucio.</li> <li>La línea del combustible está bloqueada.</li> </ol>   | <ol style="list-style-type: none"> <li>Conecte y ajuste el capuchón de la bujía.</li> <li>Llene el tanque con gasolina limpia y nueva.</li> <li>Destape la ventilación.</li> <li>Haga marchar el motor hasta que se detenga por falta de combustible. Vuelva a llenar con combustible nuevo.</li> <li>Consulte la sección de Mantenimiento del filtro de aire del Manual del motor.</li> <li>Contacte con su centro de piezas y reparaciones para que limpien la línea de combustible.</li> </ol> |
| El motor recalienta                      | <ol style="list-style-type: none"> <li>El nivel de aceite del motor está bajo.</li> <li>Flujo de aire restringido.</li> </ol>   | <ol style="list-style-type: none"> <li>Llene el cárter con aceite adecuado.</li> <li>Limpie el área de alrededor y la parte superior del motor.</li> </ol>  |
| Salto ocasionales (vacilantes)           | <ol style="list-style-type: none"> <li>La separación de la bujía es muy pequeña.</li> </ol>   | <ol style="list-style-type: none"> <li>Ajuste la separación. Consulte el Mantenimiento de la bujía en el Manual del motor.</li> </ol>   |
| No ralentiza bien                        | <ol style="list-style-type: none"> <li>Bujía atorada, fallada o separación demasiado ancha.</li> <li>El depurador de aire está sucio.</li> </ol>  | <ol style="list-style-type: none"> <li>Vuelva a ajustar la separación o reemplace la bujía.</li> <li>Consulte la sección de Mantenimiento del filtro de aire del Manual del motor.</li> </ol>   |

# SERVICIO Y MANTENIMIENTO

| Problema  | Causa   | Solución  |
|---|---|---|
| Excesiva vibración  | <ol style="list-style-type: none"> <li>1. Cuchilla de corte floja o descentrada.</li> <li>2. Cuchilla de corte doblada.</li> </ol>  | <ol style="list-style-type: none"> <li>3. Apriete la cuchilla y el adaptador. Centre la cuchilla.</li> <li>4. Reemplace la cuchilla.</li> </ol>   |
| La cortadora de césped no procesa los recortes como abono | <ol style="list-style-type: none"> <li>1. Spaced húmedo.</li> <li>2. Césped excesivamente alto.</li> <li>3. Cuchilla desafilada.</li> </ol>   | <ol style="list-style-type: none"> <li>1. No corte el césped cuando esté mojado, espere hasta que sea más tarde para hacerlo.</li> <li>2. Corte una vez a altura de corte elevada, luego vuelva a cortar a la altura deseada o haga un sendero de corte más angosto.</li> <li>3. Afile o cambie la cuchilla.</li> </ol>   |
| Corte irregular   | <ol style="list-style-type: none"> <li>1. La posición de las ruedas no es correcta.</li> <li>2. Cuchilla desafilada.</li> </ol>   | <ol style="list-style-type: none"> <li>1. Ajuste la palanca de altura de corte de la rueda delantera derecha y trasera derecha en la misma posición.</li> <li>2. Afile o cambie la cuchilla.</li> </ol>   |
| La cortadora no avanza por sí misma                       | <ol style="list-style-type: none"> <li>1. Correa mal instalada.</li> <li>2. Hay desechos bloqueando el funcionamiento de la transmisión.</li> <li>3. Correa dañada o desgastada.</li> </ol> | <ol style="list-style-type: none"> <li>1. Compruebe la correa para ver si la polea está bien instalada y se mueve correctamente.</li> <li>2. Detenga el motor, desconecte el capuchón de la bujía y limpie los desechos.</li> <li>3. Inspeccione y, de ser necesario, consulte con su Centro de piezas y reparaciones para hacer reemplazar la correa.</li> </ol> |

## Recomendaciones generales

- Respete siempre las reglas de seguridad al realizar tareas de mantenimiento.
- La garantía de esta cortadora no cubre elementos que han estado sujetos al mal uso o la negligencia del operador. Para recibir el reembolso total de la garantía, el operador deberá mantener la cortadora como se indica en este manual.
- El cambio de la velocidad controlada del motor invalidará la garantía del motor.

## Lubricación

### Control de la cuchilla

Lubrique con aceite ligero los puntos de pivote del control de la cuchilla al menos una vez cada estación. El control debe funcionar libremente en ambas direcciones. Consulte la Figura 12.

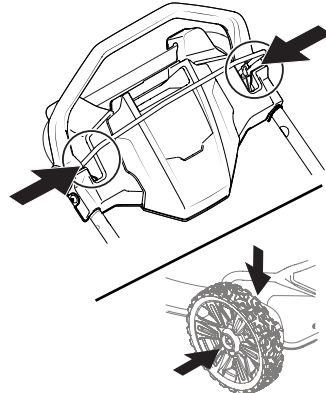


Figura 12

### Ruedas

Lubrique todos los cubos/ejes de las ruedas con aceite ligero al menos una vez por temporada. Consulte la Figura 12.

## Mantenimiento del motor

Consulte el manual del operador del motor entregado con su cortadora para obtener una descripción detallada de todas las especificaciones de servicio relacionadas con el motor.

### Limpie el motor

- Diariamente o antes de cada uso, limpie el césped, la grasa o los residuos acumulados en el motor. Mantenga limpios el varillaje, los resortes y los controles. Mantenga el área que rodea al silenciador y que está detrás del mismo libre de cualquier residuo combustible.
- Mantenga el motor limpio para permitir el movimiento de aire alrededor del mismo.
- Las piezas del motor se deben mantener limpias para reducir el riesgo de sobrecalentamiento y combustión de los residuos acumulados.

### ⚠ PRECAUCIÓN

No use agua para limpiar las piezas del motor. El agua puede contaminar el sistema de combustible. Use un cepillo o un paño seco.

## Mantenimiento de la cortadora

### Sistema de lavado de plataforma (si está incluido)

La plataforma de su cortadora podría venir con un sistema de lavado de plataforma. Utilice el sistema de lavado de plataforma para lavar la parte inferior de la plataforma e impedir la acumulación de sustancias corrosivas. Realice los siguientes pasos DESPUÉS DE CADA CORTE DE CÉSPED:

1. Empuje la cortadora hasta un lugar nivelado y despejado de su jardín o patio. Asegúrese de que la manguera del jardín pueda llegar a la cortadora.

### ⚠ PRECAUCIÓN

Asegúrese de que la tolva de descarga de la cortadora esté orientada ALEJADA de la casa, garaje, vehículos estacionados, etc.

2. Retire de la plataforma de la cortadora el pico de lavado de la plataforma de sujeción rápida y enrósquelo en el extremo de la manguera del jardín.
3. Una la manguera con el pico de lavado al puerto de agua que se encuentra en la superficie de la plataforma. Consulte la Figura 13.
4. Abra el suministro de agua.
5. Encienda el motor, tal como se indicó anteriormente en el Manual del operador del motor.
6. Haga funcionar el motor durante dos minutos por lo menos para permitir que se seque totalmente la parte inferior de la plataforma de corte.
7. Suelte la manija de control de la cuchilla para detener el motor y la cuchilla.
8. Desconecte el agua y retire el pico de lavado de la plataforma del puerto de agua que se encuentra en la superficie de la plataforma.
9. Luego de limpiar la plataforma, vuelva a arrancar la cortadora. Mantenga el motor y la cuchilla en funcionamiento durante dos minutos por lo menos para permitir que se seque totalmente la parte inferior de la plataforma de corte.

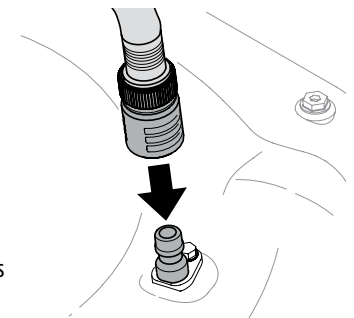


Figura 13

### Limpieza de la plataforma

Al menos una vez por temporada, limpie la parte inferior de la plataforma de la cortadora de césped para prevenir la acumulación de recortes de césped u otros desechos.

# SERVICIO Y MANTENIMIENTO

- Deje el motor en marcha hasta que se acabe el combustible. No intente verter combustible del motor. Desconecte el cable de la bujía. Consulte el Manual del operador del motor.
  - Gire la cortadora de césped sobre el costado y compruebe que el filtro de aire y el carburador queden mirando hacia arriba. Sostenga firmemente la cortadora.
  - Raspe y limpie la parte inferior de la plataforma mediante el uso de una herramienta adecuada. No la rocíe con agua.
- IMPORTANTE:** No utilice una lavadora a presión o manguera de jardín para limpiar su cortadora. Pueden producir daños a los rodamientos o al motor. El uso de agua acortará la vida útil de la máquina y reducirá su capacidad de servicio.
- Vuelva a colocar la cortadora sobre sus ruedas en el suelo.

## Ajuste de la transmisión

El sistema de transmisión consiste de poleas, una correa y un cable que vincula la transmisión al control de transmisión. Como estos componentes se gastan, es posible que sea necesario practicar ajustes. Para ajustar la transmisión haga lo siguiente:

- Debilita la transmisión. Consulte la Figura 14 -
  - Afloje la contratuerca (a).
  - Enrosque la tuerca de ajuste (b) hacia abajo, en dirección hacia la base de la cortadora para alargar el cable de la transmisión.
  - Ajuste bien la contratuerca.
- Control de la transmisión está apretado o difícil de tirar. Consulte la Figura 15 -
  - Afloje la contratuerca (a).
  - Enrosque la tuerca de ajuste (b) hacia arriba, en dirección de la manija para acortar el cable de la transmisión.
  - Ajuste bien la contratuerca.

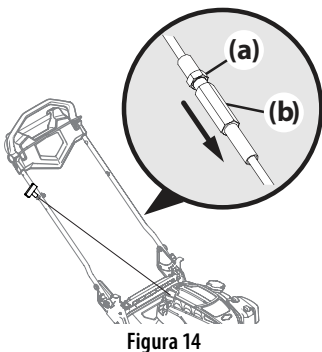


Figura 14

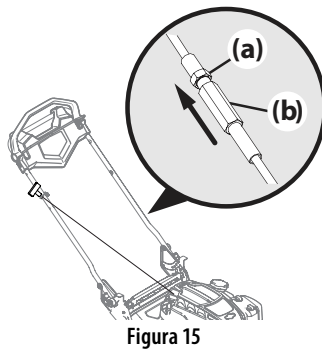


Figura 15

## Cuidado de la cuchilla

### ⚠ ADVERTENCIA

Cuando saque la cuchilla de corte para afilarla o reemplazarla, protéjase las manos usando un par de guantes gruesos o un trapo grueso para sostener la cuchilla.

- Inspeccione periódicamente el adaptador de la cuchilla en busca de rajaduras, especialmente cuando golpee un objeto extraño. Reemplace según necesidad. Siga los siguientes pasos para realizar el mantenimiento de la cuchilla.
- Deje el motor en marcha hasta que se acabe el combustible. No intente verter combustible del motor.
  - Desconecte el cable de la bujía. Consulte el Manual del operador del motor.
  - Gire la cortadora de césped sobre el costado y compruebe que el silenciador quede mirando hacia abajo y el filtro de aire y carburador queden mirando hacia arriba.
  - Retire el perno (a) y el soporte de la cuchilla (b) que sostienen la cuchilla y el adaptador al cigüeñal del motor. Consulte la Figura 16.

- Saque la cuchilla (c) y el adaptador (d) del cigüeñal. Consulte la Figura 16.
- Saque la cuchilla del adaptador para comprobar el centrado.
  - Centre la cuchilla sobre un destornillador de eje redondo para inspeccionarla.
  - Saque metal del lado pesado hasta que quede bien centrada.

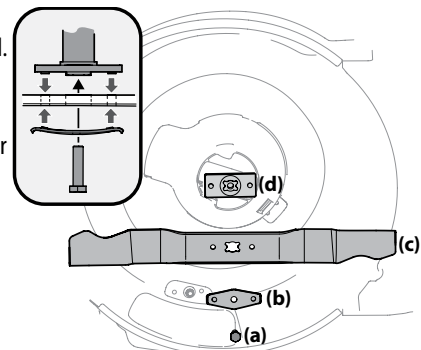


Figura 16

**NOTA:** cuando afile la cuchilla, siga el ángulo original de afilado como guía. Afíle cada borde de corte por igual para mantener centrada la cuchilla.

### ⚠ ADVERTENCIA

Si la cuchilla está descentrada causará demasiada vibración al rotar a altas velocidades. Puede producir daños al motor y la cuchilla se puede romper causando así lesiones personales.

- Lubrique el cigüeñal del motor y la superficie interna del adaptador de la cuchilla con aceite ligero. Vea el recuadro de la Figura 16.
  - Deslice el adaptador de la cuchilla (d) sobre el cigüeñal del motor.
  - Instale la cuchilla en el adaptador con el lado marcado "Grass Side" (lado del césped) (o con el número de parte) hacia el piso cuando la cortadora de césped está en posición de funcionamiento.
  - Asegúrese que la cuchilla quede alineada y asentada en las bridas del adaptador.
- Coloque el soporte de campana (b) sobre la cuchilla (c). Alinee las muescas del soporte de campana de la cuchilla con los orificios pequeños de la cuchilla.
- Vuelva a colocar el perno hexagonal (a) y ajústelo según los siguientes valores de torsión: Mín. 37.5 pies-libras (50.8 N-m), Máx. 50.0 pies-libras (67.8 N-m).

**NOTA:** para garantizar la operación segura de la cortadora de césped, revise periódicamente el perno de la cuchilla para determinar si está bien ajustado.

## Cuidado de la correa

**NOTA:** para cambiar la correa de transmisión autopropulsada de la cortadora de césped, es necesario extraer varios componentes. Solicite a un centro autorizado de servicio que realice el reemplazo de la correa.

## Almacenamiento fuera de temporada

Se deben seguir estos pasos para preparar la cortadora para almacenarla.

- Limpie y lubrique exhaustivamente la cortadora como se describe en la sección de Lubricación de la página 27.
- Aplicar una capa de grasa de chasis a la cuchilla de corte de la cortadora para evitar la oxidación.
- Consulte el Manual del operador del motor para obtener instrucciones sobre su almacenamiento correcto.
- No limpie la cortadora de césped con una lavadora a presión.
- Almacene la cortadora en una zona limpia y seca. No la almacene cerca de productos corrosivos, como por ejemplo fertilizantes.

Cuando almacene cualquier tipo de equipo motorizado en un galpón de depósito metálico o con poca ventilación, tenga especial cuidado de realizarle un tratamiento antioxidante al equipo. Use aceite ligero o silicona para recubrir el equipo, especialmente los cables y partes móviles de su cortadora antes de almacenarla.